



US00D782082S

(12) **United States Design Patent**  
**Shalvi**

(10) **Patent No.:** **US D782,082 S**  
(45) **Date of Patent:** **\*\* Mar. 21, 2017**

(54) **LED LAMP**

FOREIGN PATENT DOCUMENTS

- (71) Applicant: **Ram Shalvi**, Closter, NJ (US)
- (72) Inventor: **Ram Shalvi**, Closter, NJ (US)
- (73) Assignee: **Olympia Lighting, Inc.**, Northvale, NJ (US)

CN	201330328840.7	7/2013
CN	002320358-0001	10/2013
CN	201430222043.5	7/2014
DE	102010052020	3/2015
WO	WO201275635	6/2012

(\*\*) Term: **15 Years**

(21) Appl. No.: **29/554,607**

(22) Filed: **Feb. 12, 2016**

**Related U.S. Application Data**

(62) Division of application No. 29/523,901, filed on Apr. 15, 2015, now Pat. No. Des. 762,884.

(51) **LOC (10) Cl.** ..... **26-04**

(52) **U.S. Cl.**  
USPC ..... **D26/2**

(58) **Field of Classification Search**  
USPC ..... 313/313, 315, 316, 317, 318, 493;  
315/52, 53, 56, 57, 58  
CPC ... F21V 5/00; F21K 9/13; F21K 9/135; F21K  
9/1375; H01J 5/00; H01J 5/48; H01J  
5/50; H01J 19/54

See application file for complete search history.

(56) **References Cited**

U.S. PATENT DOCUMENTS

D553,266 S *	10/2007	Maxik	.....	D26/2
D566,300 S *	4/2008	Lo	.....	D26/2
D584,838 S *	1/2009	To	.....	D26/2
D631,567 S	1/2011	Lodhie		
D646,802 S *	10/2011	Guohui	.....	D26/2
8,128,258 B2	3/2012	Lodhie		
D695,426 S *	12/2013	Tu	.....	D26/2
D721,828 S	1/2015	Chen et al.		
D735,903 S	8/2015	Li		

OTHER PUBLICATIONS

- LED Light bulb, Mar. 12, 2011.
- 70W PC Cover LED Corn Cob Light Bulb, Nov. 7, 2014.
- 80W 2835 SMD Led Maize Lamp Led Corn Light Bulb, Mar. 31, 2014.
- 3100lm AC85-265V High Power E27 Corn SMD LED Bulb E27, Dec. 24, 2012.
- 30W LED Corn Light Bulb SMD3528 E40/E39E27/E26, Sep. 4, 2012.

\* cited by examiner

*Primary Examiner* — Marcus Jackson  
(74) *Attorney, Agent, or Firm* — Eaton & Van Winkle LLP; Robert D. Katz, Esq.

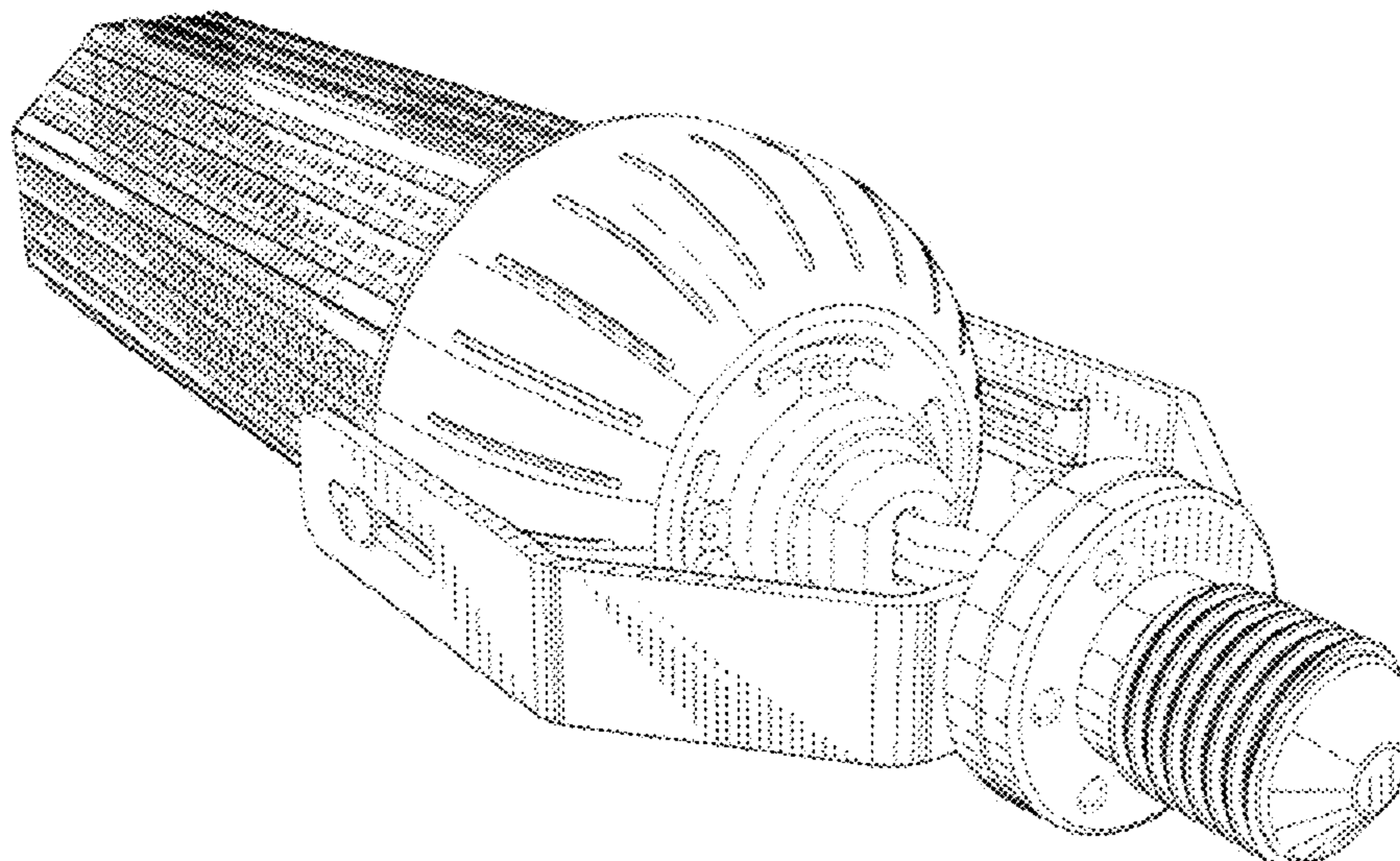
(57) **CLAIM**

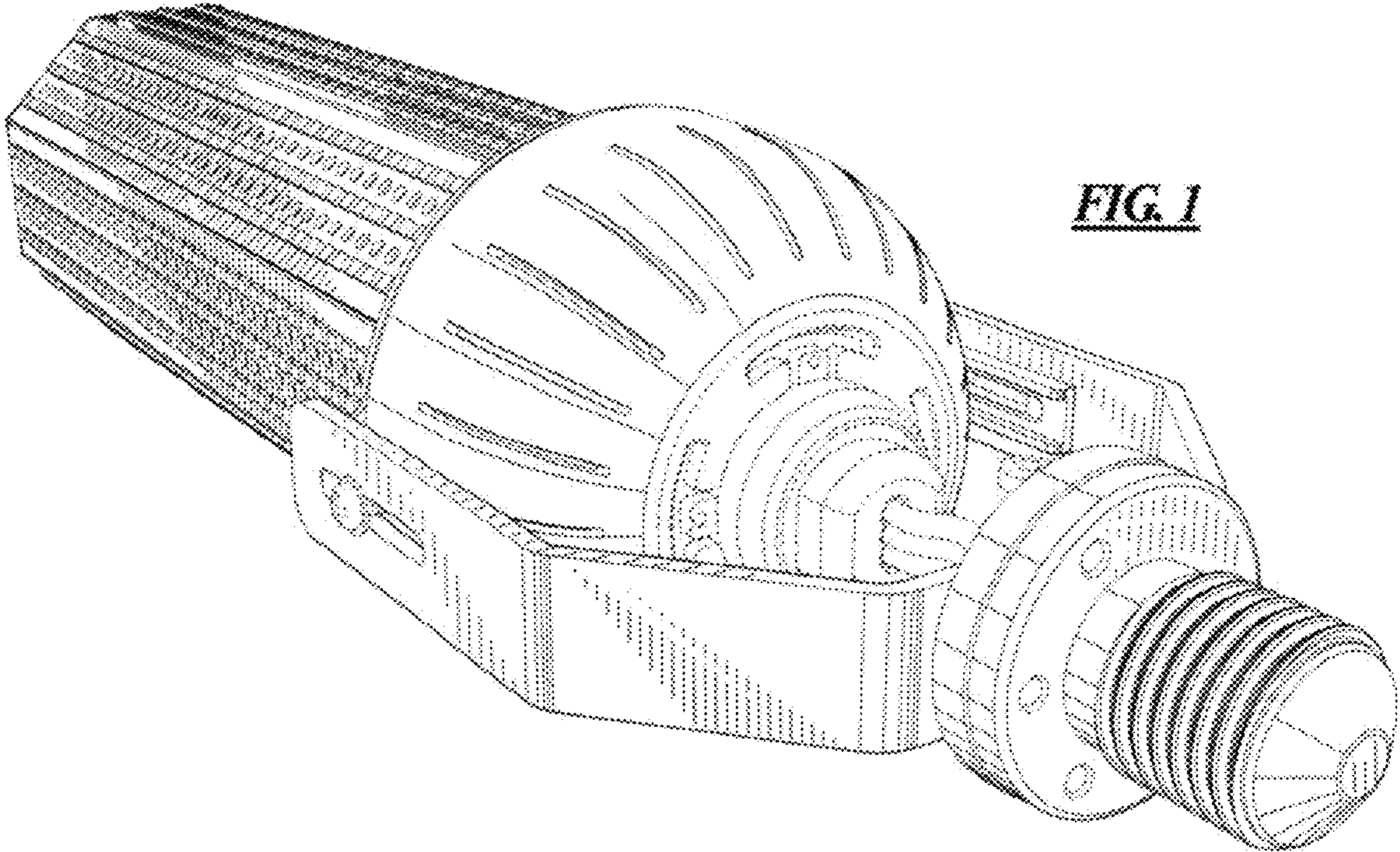
An ornamental design for an LED lamp, as shown and described.

**DESCRIPTION**

FIG. 1 is a perspective view of an embodiment of my ornamental design;  
FIG. 2 is a side view of the embodiment shown in FIG. 1;  
FIG. 3 is a top view of an embodiment in FIG. 1;  
FIG. 4 is a bottom view of an embodiment shown in FIG. 1;  
FIG. 5 is a front view of an embodiment shown in FIG. 1; and,  
FIG. 6 is a an end view of an embodiment shown in FIG. 1.

**1 Claim, 5 Drawing Sheets**





**FIG. 1**



FIG. 2

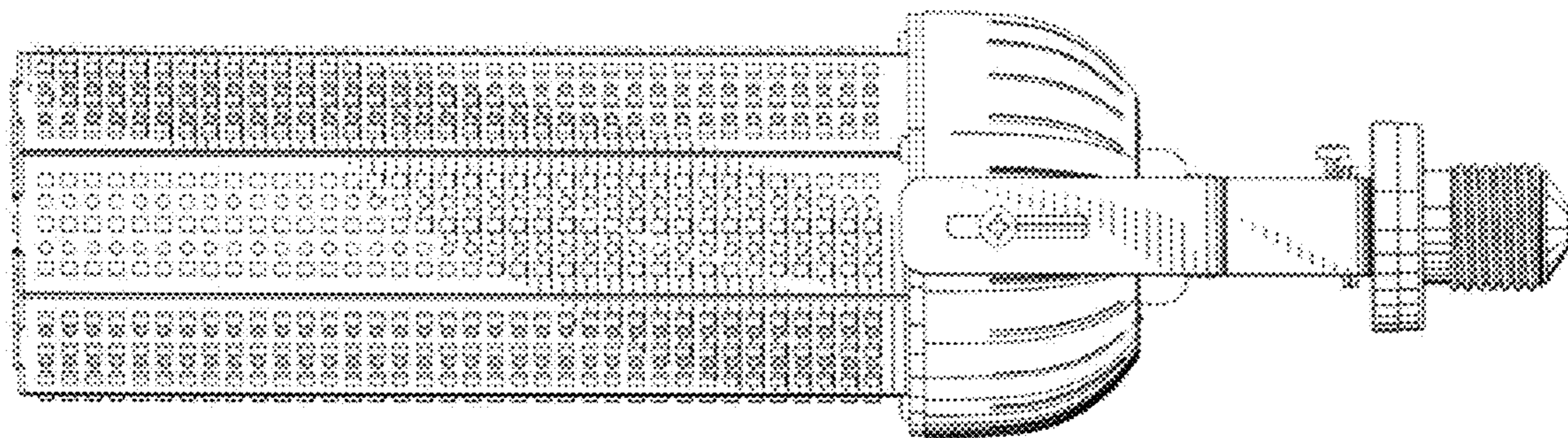


FIG. 3

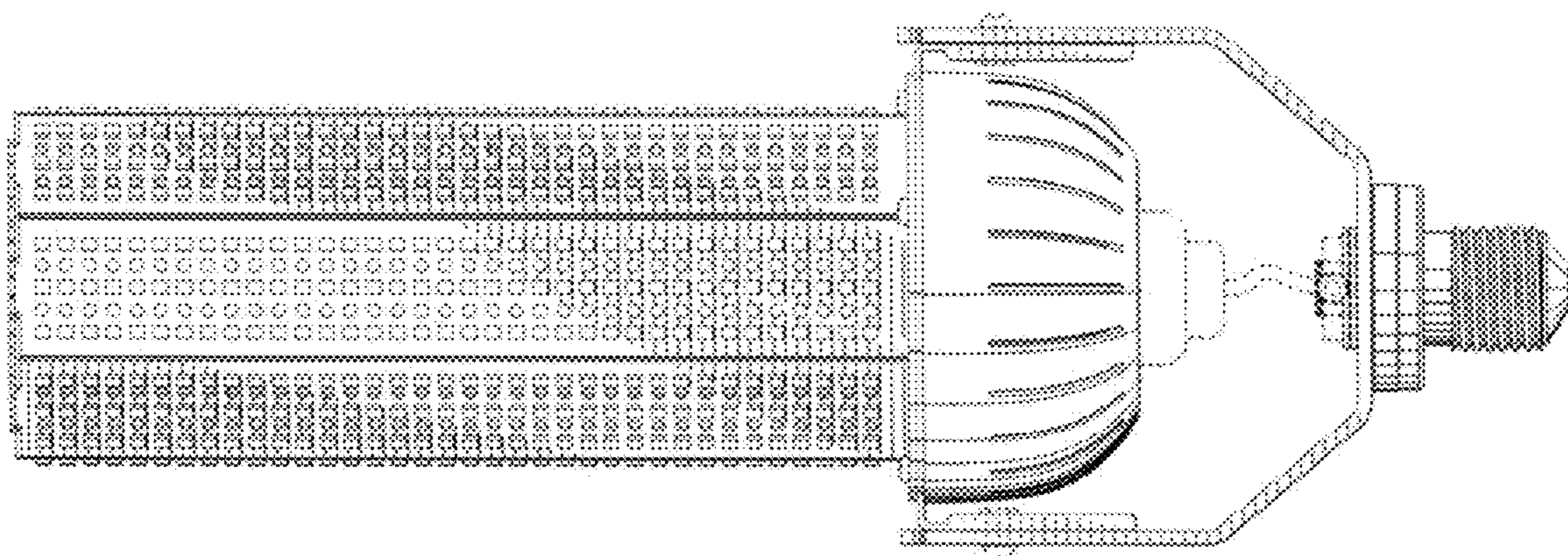


FIG. 4

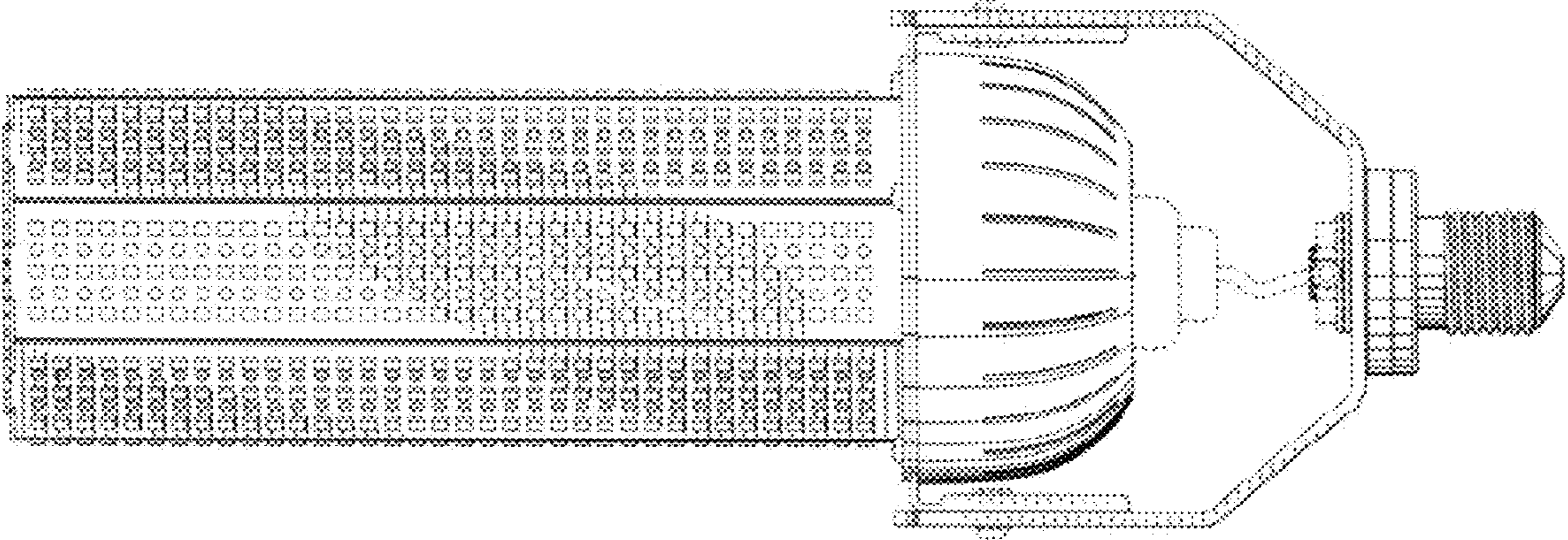


FIG. 5

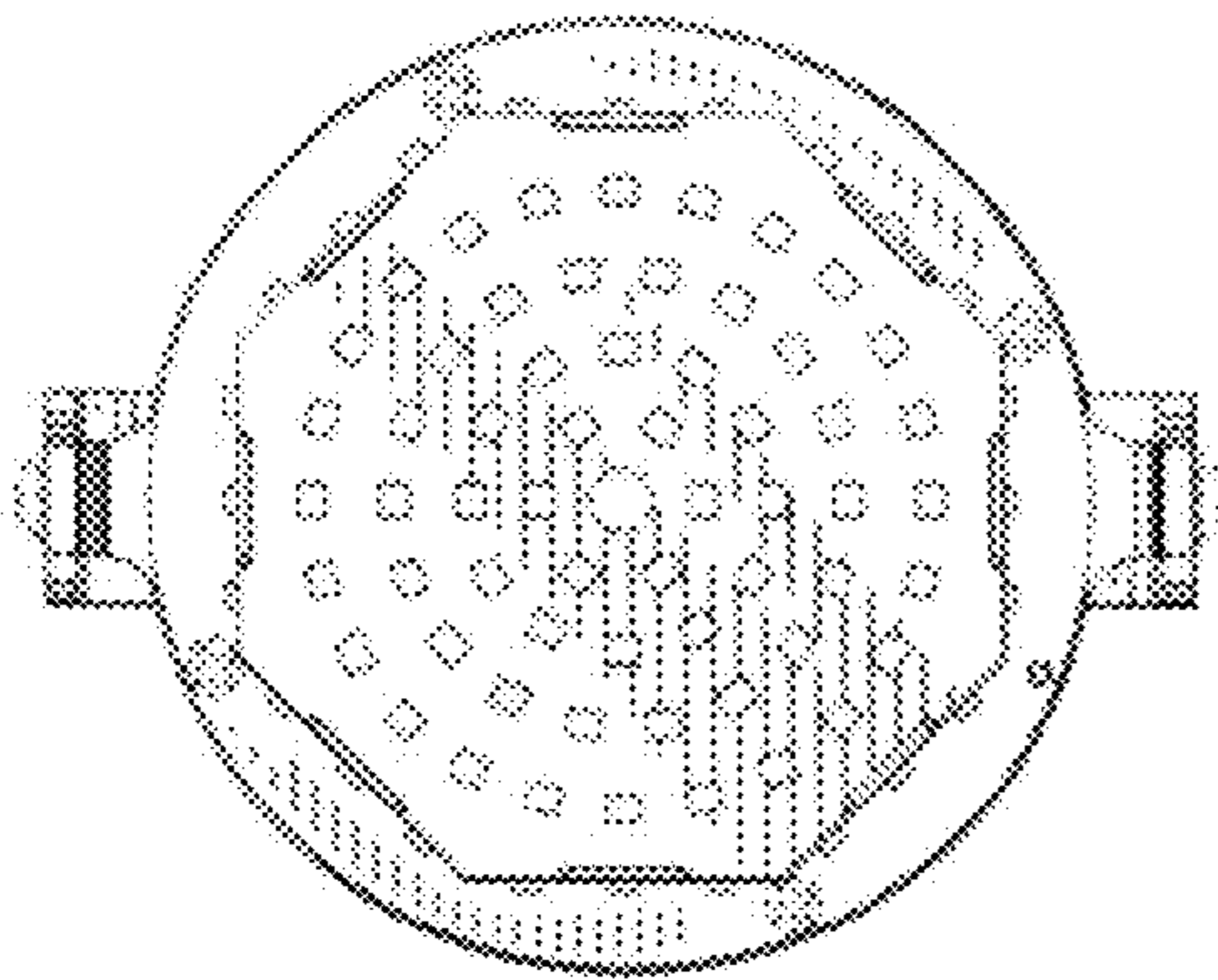


FIG. 6

