



US00D782081S

(12) **United States Design Patent**  
**Shalvi**

(10) **Patent No.:** **US D782,081 S**  
(45) **Date of Patent:** **\*\* Mar. 21, 2017**

(54) **LED LAMP**

FOREIGN PATENT DOCUMENTS

- (71) Applicant: **Ram Shalvi**, Closter, NJ (US)
- (72) Inventor: **Ram Shalvi**, Closter, NJ (US)
- (73) Assignee: **Olympia Lighting, Inc.**, Northvale, NJ (US)

CN	201330328840.7	7/2013
CN	002320358-0001	10/2013
CN	201430222043.5	7/2014

(Continued)

- (\*\*) Term: **15 Years**
- (21) Appl. No.: **29/554,605**
- (22) Filed: **Feb. 12, 2016**

OTHER PUBLICATIONS

LED Light bulb, Mar. 12, 2011.

(Continued)

*Primary Examiner* — Marcus Jackson

(74) *Attorney, Agent, or Firm* — Eaton & Van Winkle LLP; Robert D. Katz, Esq.

**Related U.S. Application Data**

- (62) Division of application No. 29/523,901, filed on Apr. 15, 2015, now Pat. No. Des. 762,884.
- (51) **LOC (10) Cl.** ..... **26-04**
- (52) **U.S. Cl.**  
USPC ..... **D26/2**
- (58) **Field of Classification Search**  
USPC ..... D26/1-4; 313/313, 315, 316, 317, 318, 313/493; 315/52, 53, 56, 57, 58  
CPC ... F21V 5/00; F21K 9/13; F21K 9/135; F21K 9/1375; H01J 5/00; H01J 5/48; H01J 5/50; H01J 19/54  
See application file for complete search history.

(57) **CLAIM**

An ornamental design for an LED lamp, as shown and described.

**DESCRIPTION**

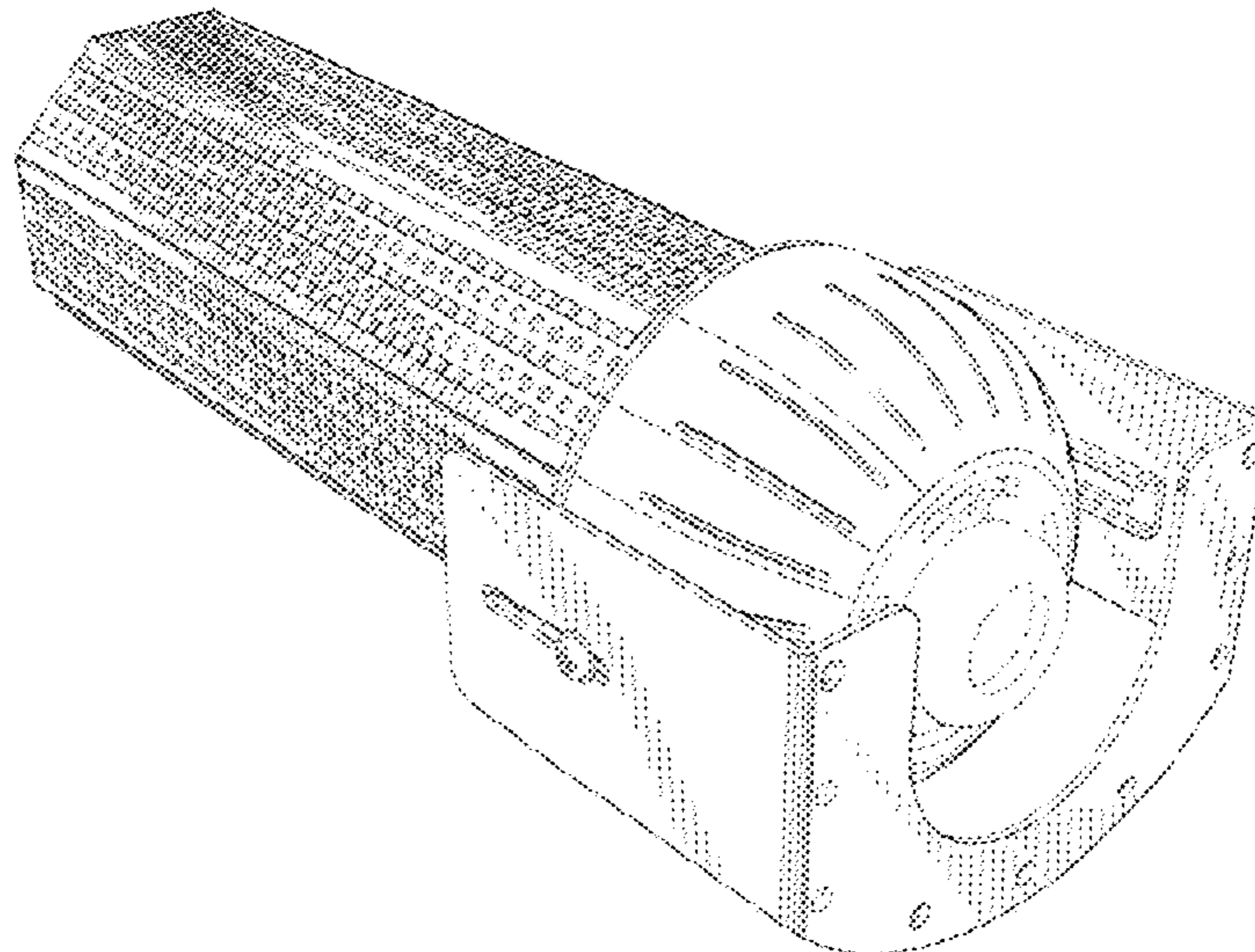
FIG. 1 is a perspective view of an embodiment of my ornamental design;  
 FIG. 2 is a side view of the embodiment of my ornamental design shown in FIG. 1;  
 FIG. 3 is a top view of an embodiment of my ornamental design shown in FIG. 1;  
 FIG. 4 is a bottom view of an embodiment of my ornamental design shown in FIG. 1;  
 FIG. 5 is a front view of an embodiment of my ornamental design shown in FIG. 1;  
 FIG. 6 is a an end view of an embodiment of my ornamental design shown in FIG. 1; and,  
 FIG. 7 is a perspective view of the embodiment of my ornamental design shown in FIG. 1, showing the mounting bracket in an alternate position.

(56) **References Cited**

U.S. PATENT DOCUMENTS

D574,091 S *	7/2008	Sun	.....	D26/2
D574,092 S *	7/2008	Sun	.....	D26/2
D631,567 S	1/2011	Lodhie		
8,128,258 B2	3/2012	Lodhie		
D668,367 S *	10/2012	Sakamoto	.....	D26/2
D669,200 S *	10/2012	Chen	.....	D26/2
D689,214 S *	9/2013	Chyan	.....	D26/2
D721,828 S *	1/2015	Chen	.....	D26/2
D735,903 S	8/2015	Li		

**1 Claim, 6 Drawing Sheets**



(56)

**References Cited**

FOREIGN PATENT DOCUMENTS

DE	102010052020	3/2015
WO	WO2012075635	6/2012

OTHER PUBLICATIONS

70W Cover LED Corn Cob Light Bulb, Nov. 7, 2014.  
80W 2835 SMD Led Maize Lamp LED Corn Light Bulb, Mar. 31, 2014.  
3100lm AC85-265V High Power E27 Corn SMD LED Bulb E27, Dec. 24, 2012.  
30W LED Corn Light Bulb SMD3528 E40/E39E27/E26, Sep. 4, 2012.

\* cited by examiner

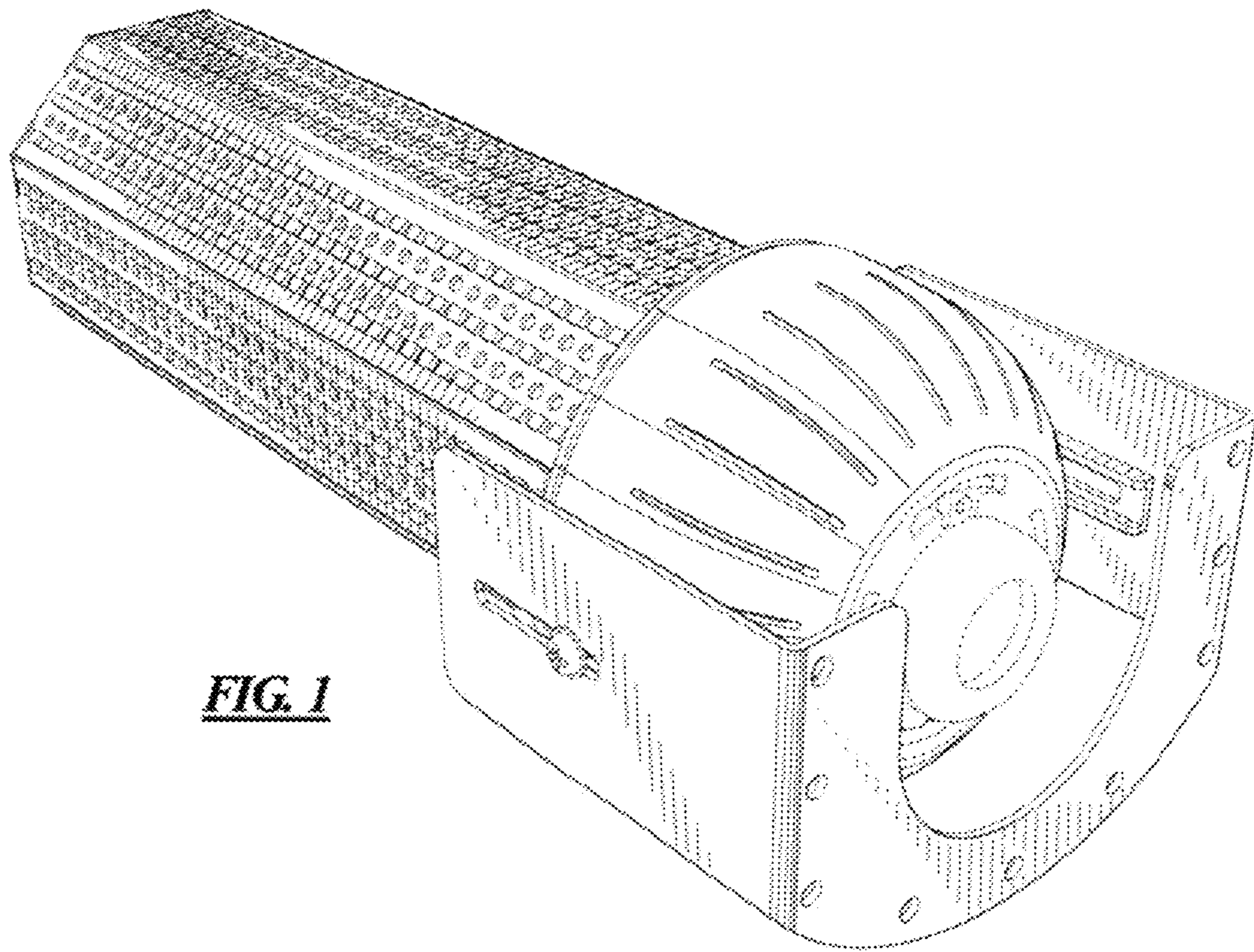
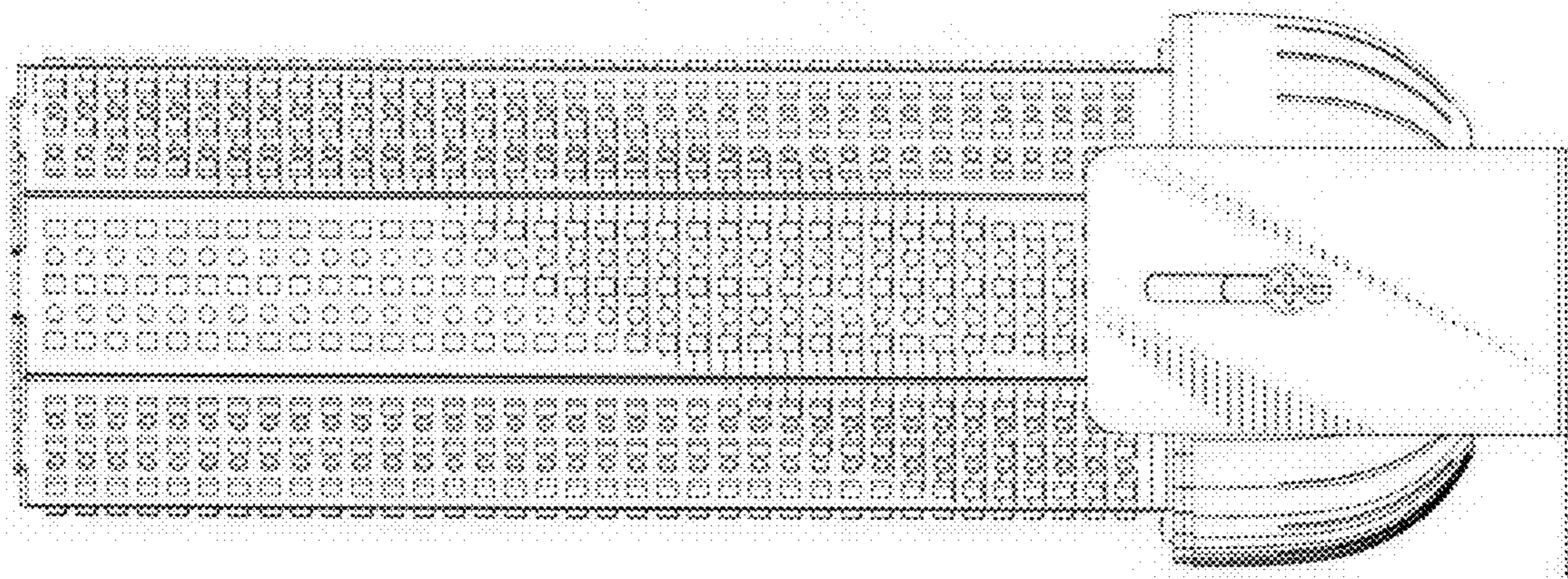


FIG. 1



FIG. 2



*FIG. 3*

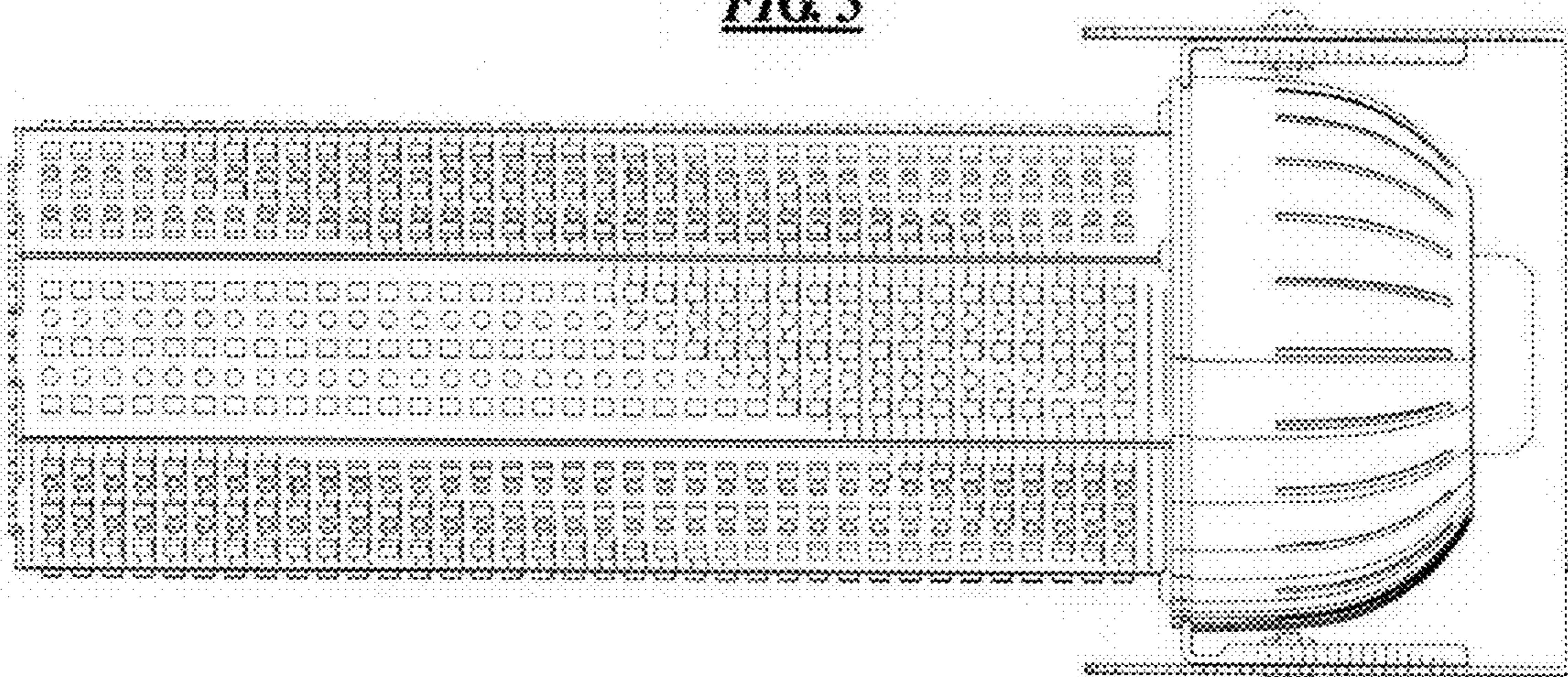
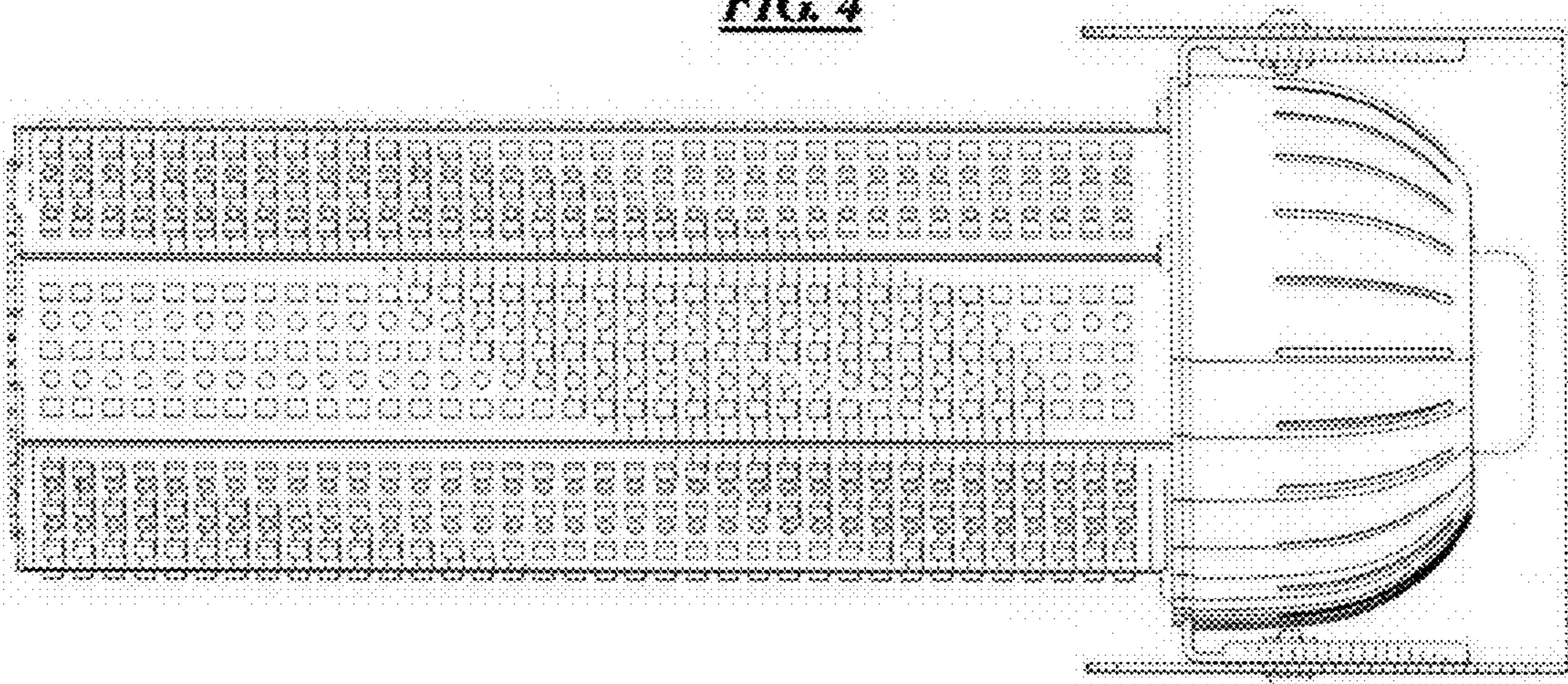
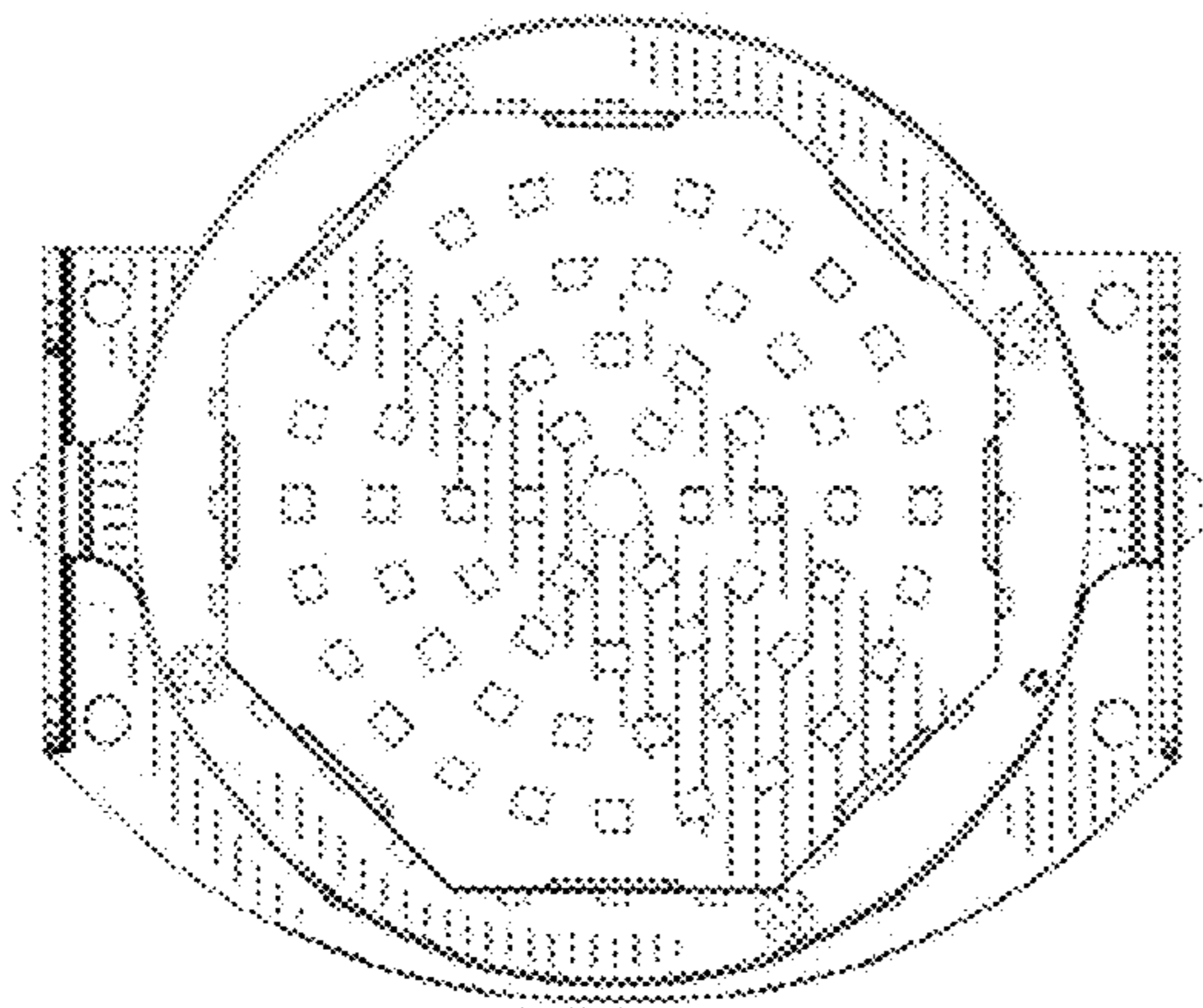




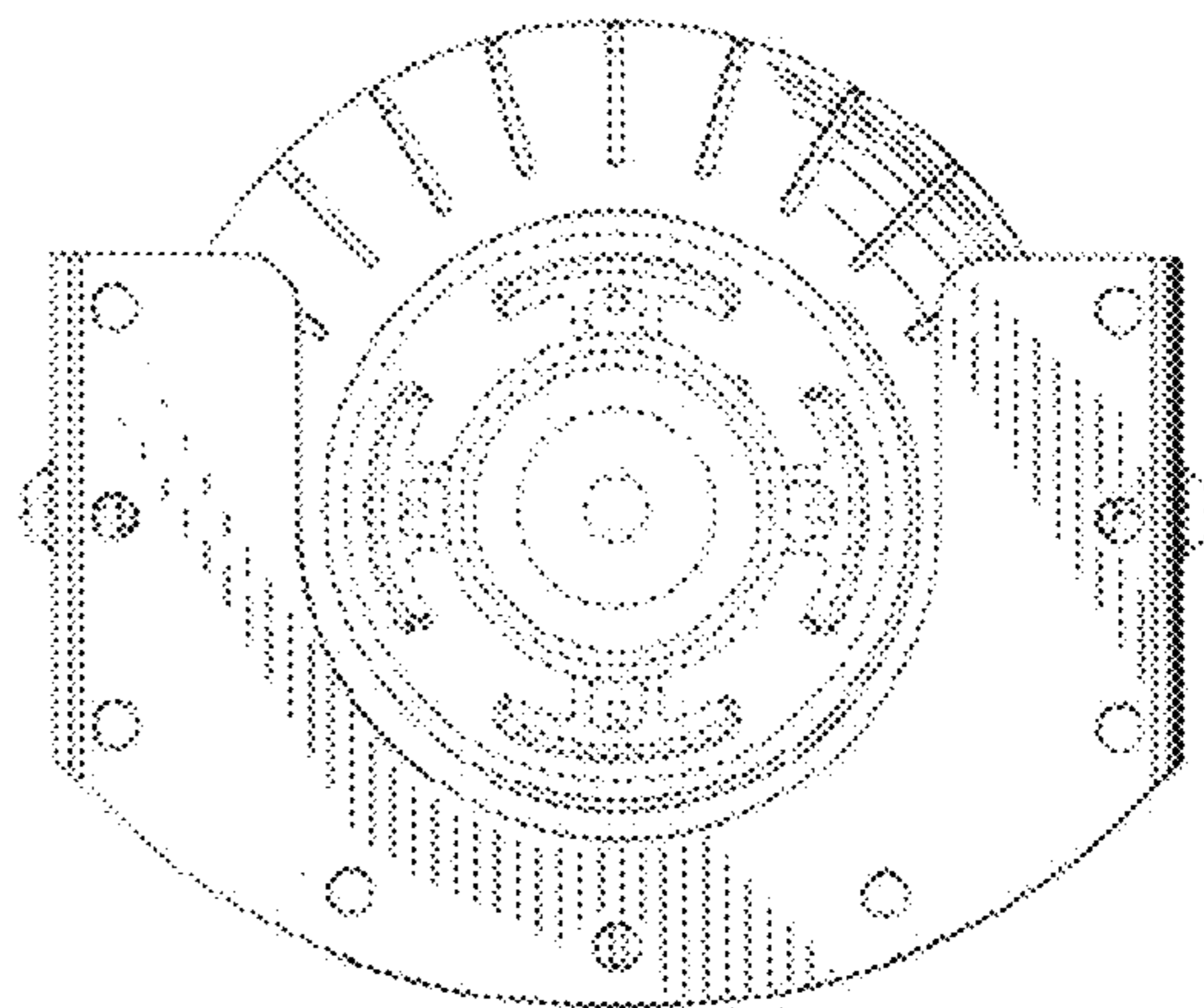
FIG. 4



**FIG. 5**



**FIG. 6**



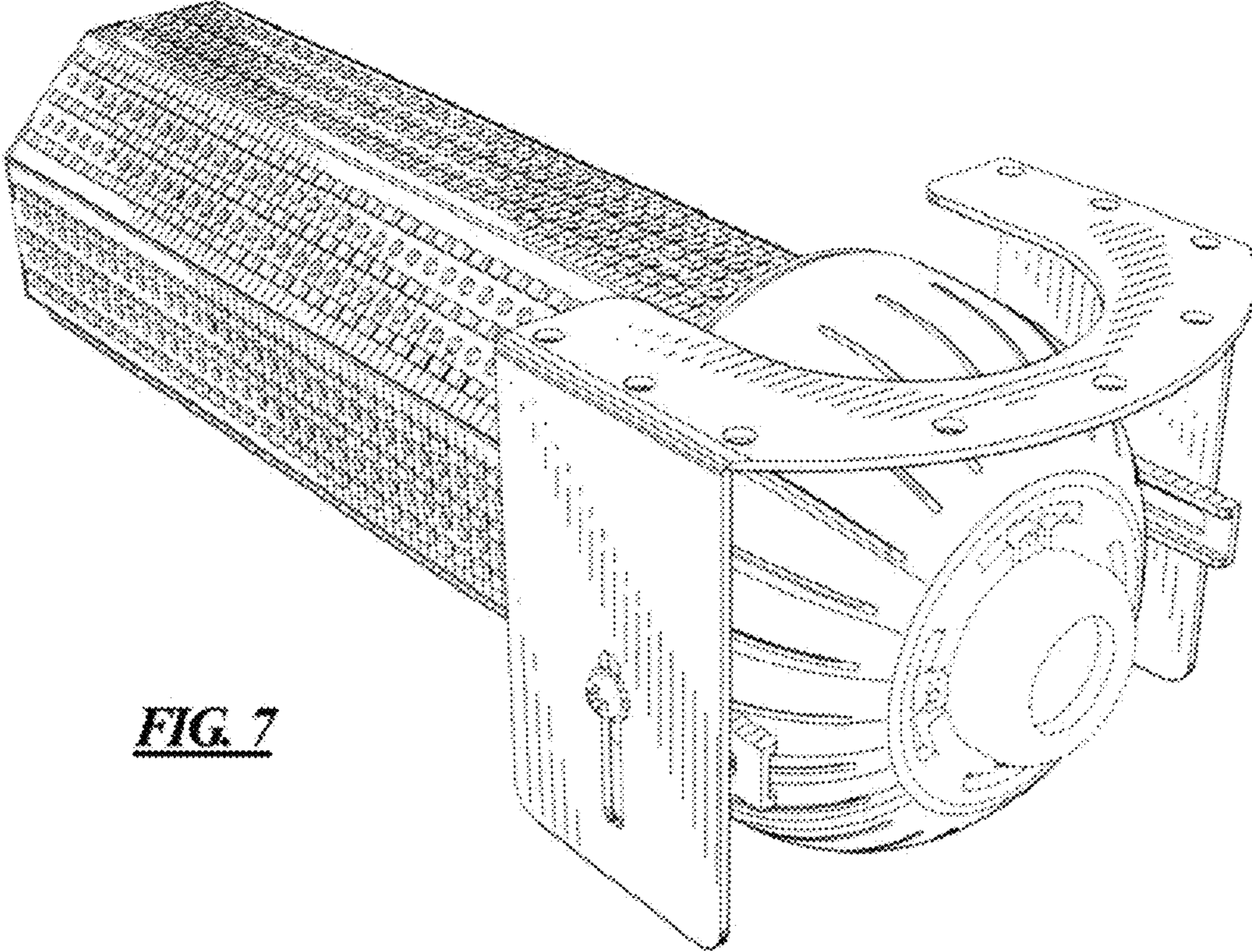


FIG. 7