



US00D782068S

(12) **United States Design Patent**  
**Indio da Costa et al.**

(10) **Patent No.:** **US D782,068 S**  
(45) **Date of Patent:** **\*\* Mar. 21, 2017**

(54) <b>BUS SHELTER</b>	4,018,016 A * 4/1977 Zale ..... E04H 1/1211 403/230
(71) Applicant: <b>Odebrecht Transport Participações S/A, Sao Paulo (BR)</b>	D250,836 S * 1/1979 Lahaie ..... D25/1 D252,215 S * 6/1979 Leuthesser ..... D25/1 D336,136 S * 6/1993 Foster ..... D25/1 D403,434 S * 12/1998 Sander ..... D25/1 D406,352 S * 3/1999 Kleihues ..... D25/1 D409,759 S * 5/1999 Foster ..... D25/1 D433,512 S * 11/2000 Grange ..... D25/1 D438,635 S * 3/2001 Da Costa ..... D25/1 D500,143 S * 12/2004 Moncho ..... D25/56 D529,192 S * 9/2006 Whalen ..... D25/56 D530,432 S * 10/2006 Gottesdiener ..... D25/56 D535,034 S * 1/2007 Gottesdiener ..... D25/56 7,237,360 B2 * 7/2007 Moncho ..... E04H 1/1211 362/145
(72) Inventors: <b>Luiz Eduardo Indio da Costa, Rio de Janeiro (BR); Luiz Augusto de Siqueira Índio da Costa, Rio de Janeiro (BR); Till Pupak, Rio de Janeiro (BR)</b>	
(73) Assignee: <b>OTIMA-CONCESSIONARIA DE EXPLORACAO DE MOBILIARIO URBANO S.A., Sao Paulo (BR)</b>	

(Continued)

(\*\*) Term: **15 Years**

(21) Appl. No.: **29/536,374**

(22) Filed: **Aug. 17, 2015**

**Related U.S. Application Data**

(62) Division of application No. 29/440,018, filed on Dec. 18, 2012, now Pat. No. Des. 740,967.

(30) **Foreign Application Priority Data**

Jun. 18, 2012 (BR) ..... 302012003723

(51) **LOC (10) Cl.** ..... **25-02**

(52) **U.S. Cl.**  
USPC ..... **D25/56**

(58) **Field of Classification Search**  
USPC ..... D25/1-35, 56; 135/90, 97; 136/251;  
52/173.3, 36.2, 73, 79.1, 28, 36.1  
See application file for complete search history.

(56) **References Cited**

**U.S. PATENT DOCUMENTS**

3,735,536 A * 5/1973 Bellasalma ..... E04H 1/1211 52/16
3,762,109 A * 10/1973 Cohen ..... E04H 1/1211 52/11

*Primary Examiner* — Garth Rademaker

*Assistant Examiner* — Samantha Q Lawrence

(74) *Attorney, Agent, or Firm* — Sughrue Mion, PLLC

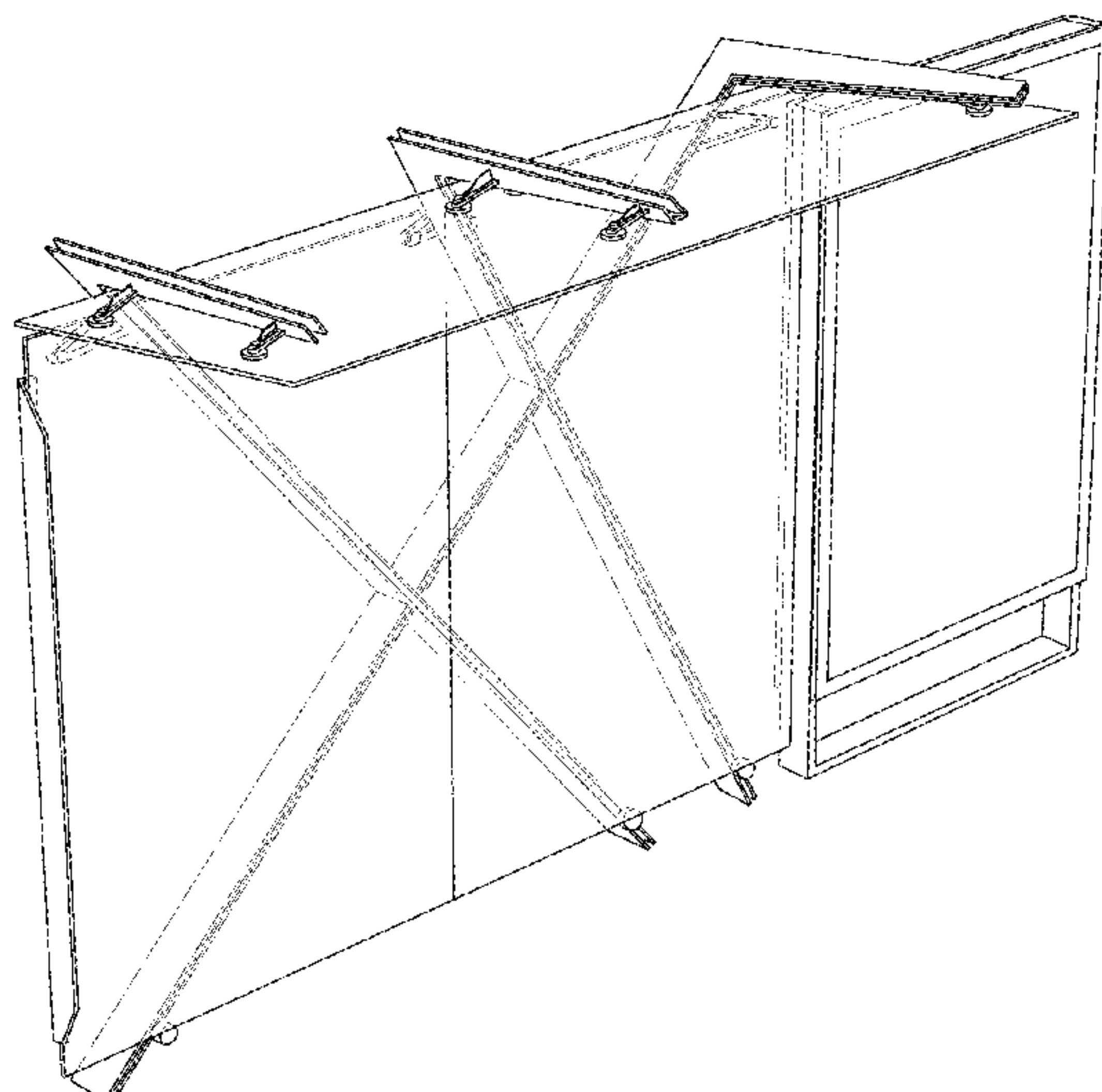
(57) **CLAIM**

The ornamental design for a bus shelter, as shown and described.

**DESCRIPTION**

FIG. 1—is a front view of a bus shelter;  
FIG. 2—a rear view;  
FIG. 3—a right side view;  
FIG. 4—a left side view;  
FIG. 5—a top view;  
FIG. 6—a bottom view;  
FIG. 7—a perspective view; and,  
FIG. 8—a second perspective view.

**1 Claim, 7 Drawing Sheets**



(56)

**References Cited**

U.S. PATENT DOCUMENTS

D587,817	S	*	3/2009	Giugiaro	.....	D25/56
D592,762	S	*	5/2009	King	.....	D25/56
D593,213	S	*	5/2009	Grimshaw	.....	D25/56
D603,973	S	*	11/2009	Jackson	.....	D25/56
D653,709	S	*	2/2012	Allen	.....	D20/19
D659,259	S	*	5/2012	Duddy	.....	D25/32
D663,779	S	*	7/2012	Lueken	.....	D20/19
D703,271	S	*	4/2014	Lueken	.....	D20/19
D717,472	S	*	11/2014	Indio da Costa	.....	D25/56
D734,869	S	*	7/2015	Indio da Costa	.....	D25/1
D740,966	S	*	10/2015	Indio da Costa	.....	D25/56
D740,967	S	*	10/2015	Indio da Costa	.....	D25/56
D747,816	S	*	1/2016	Indio da Costa	.....	D25/1
D748,819	S	*	2/2016	Indio Da Costa	.....	D25/56
D748,820	S	*	2/2016	Indio Da Costa	.....	D25/56

\* cited by examiner

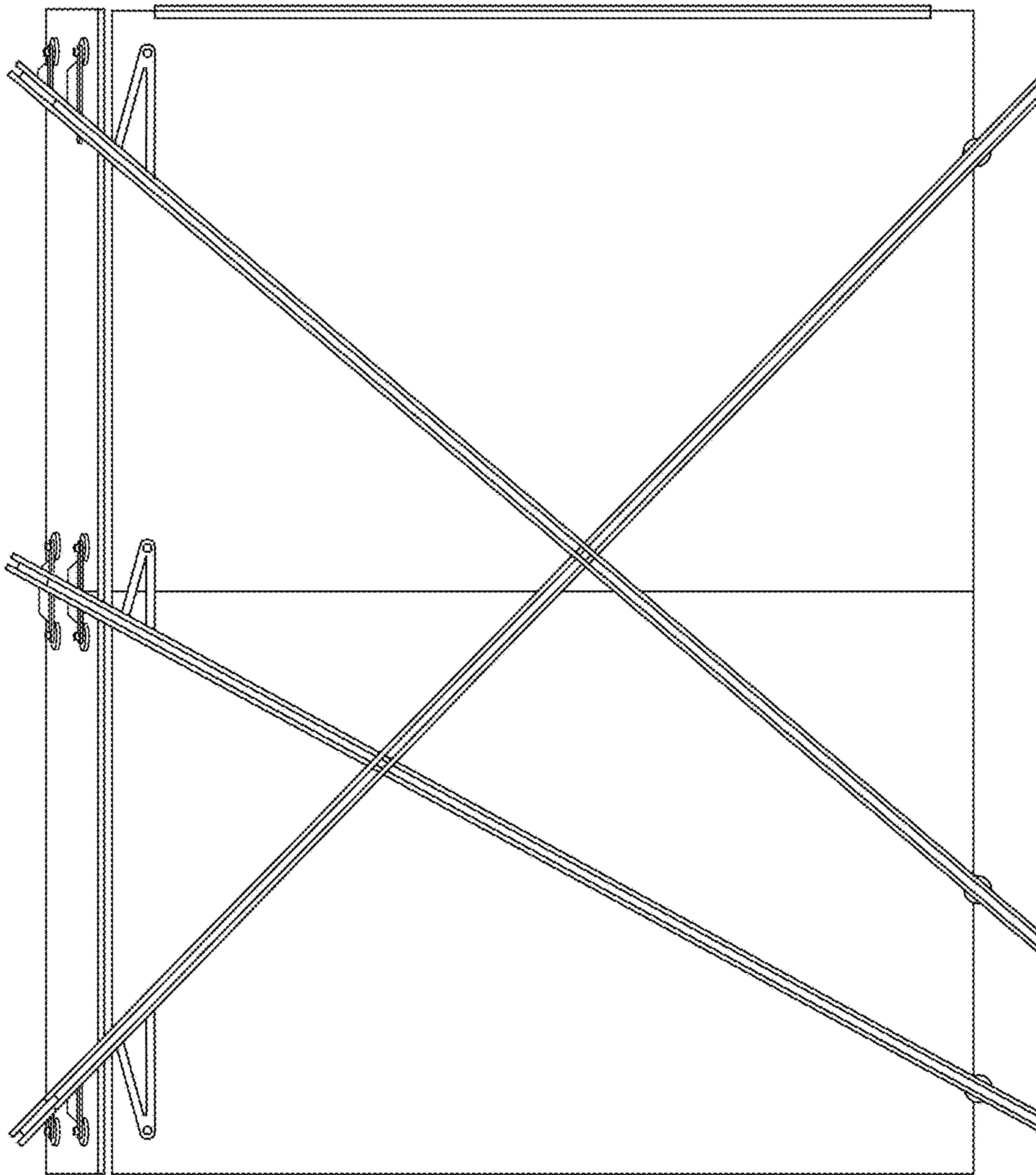


FIG. 1



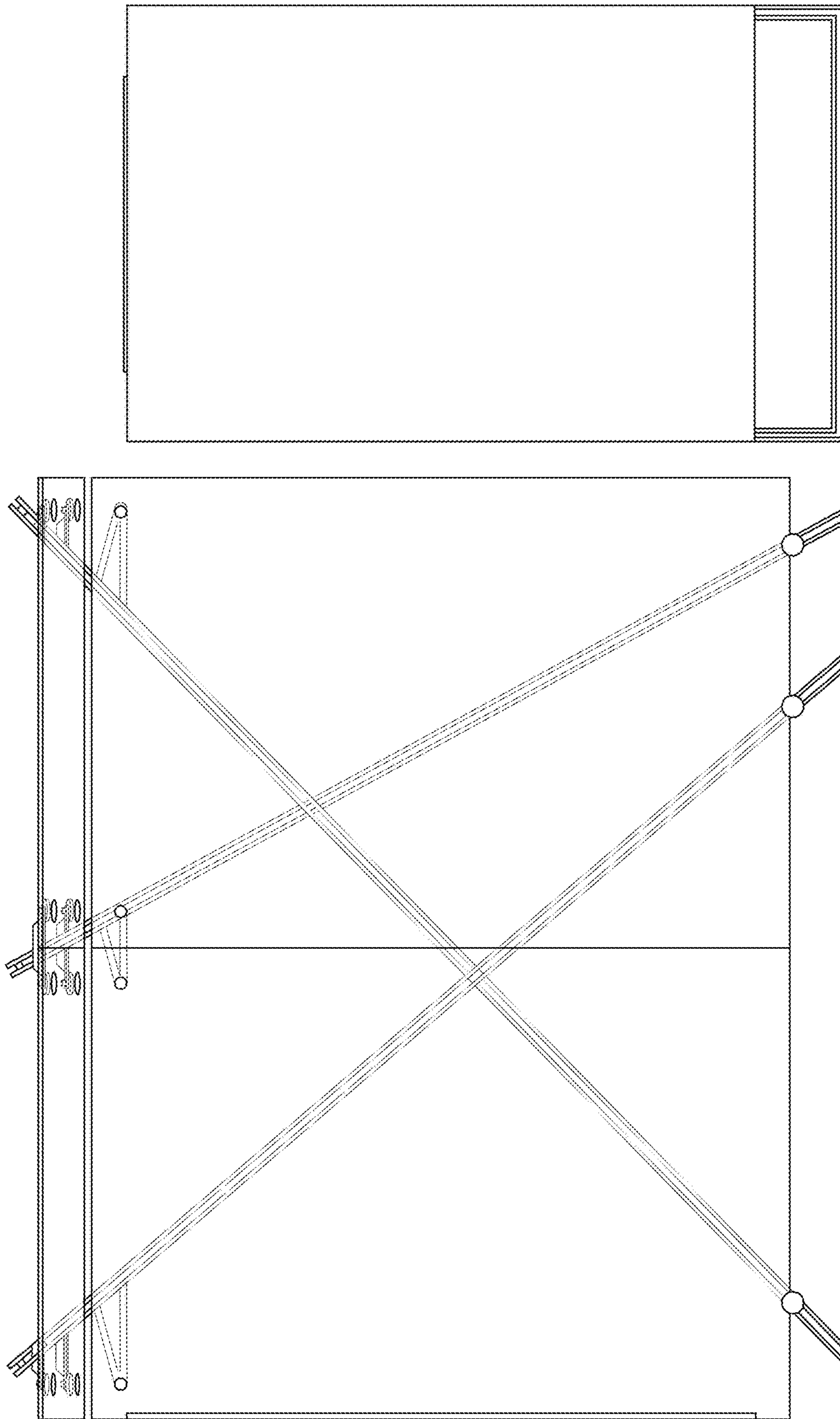


FIG. 2



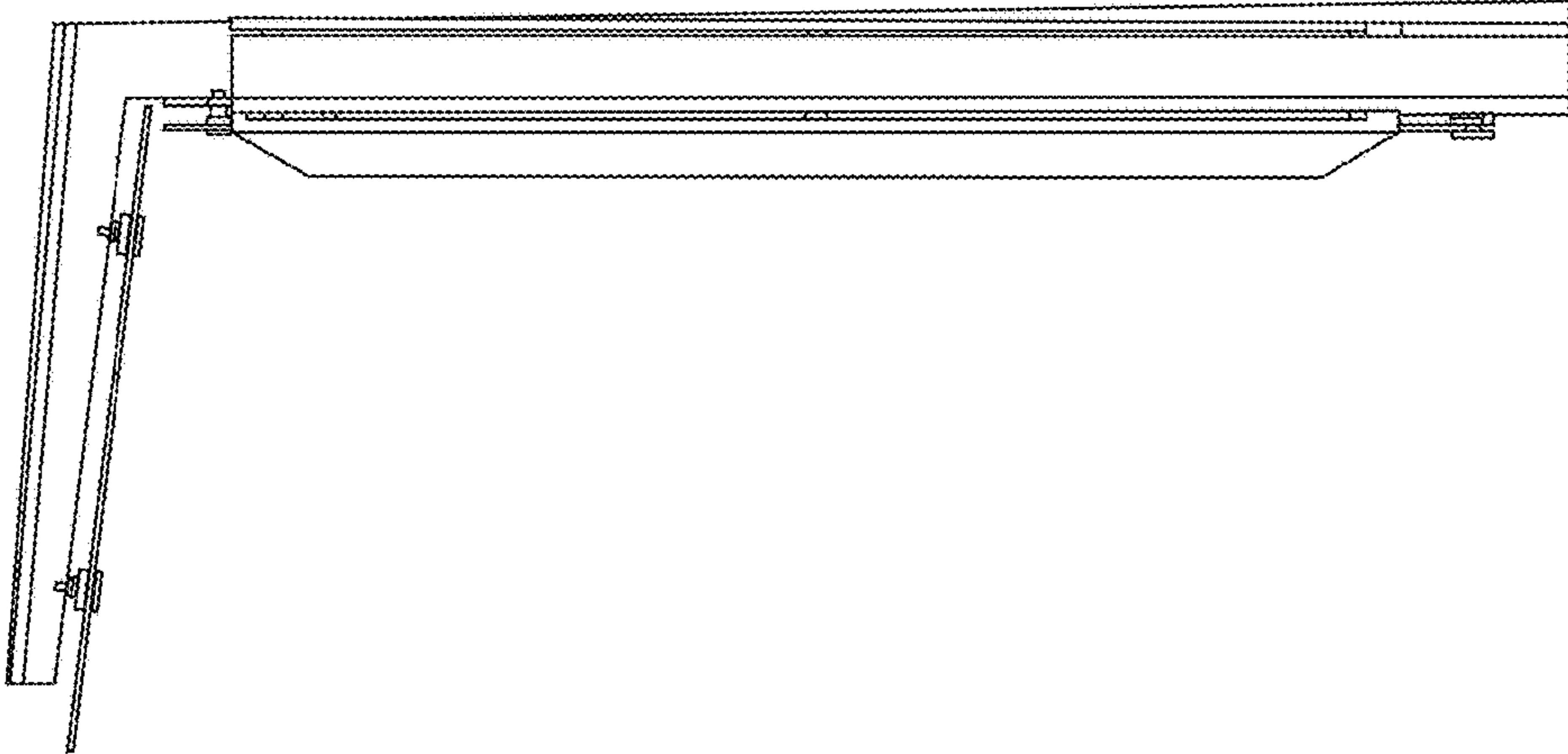


FIG. 4

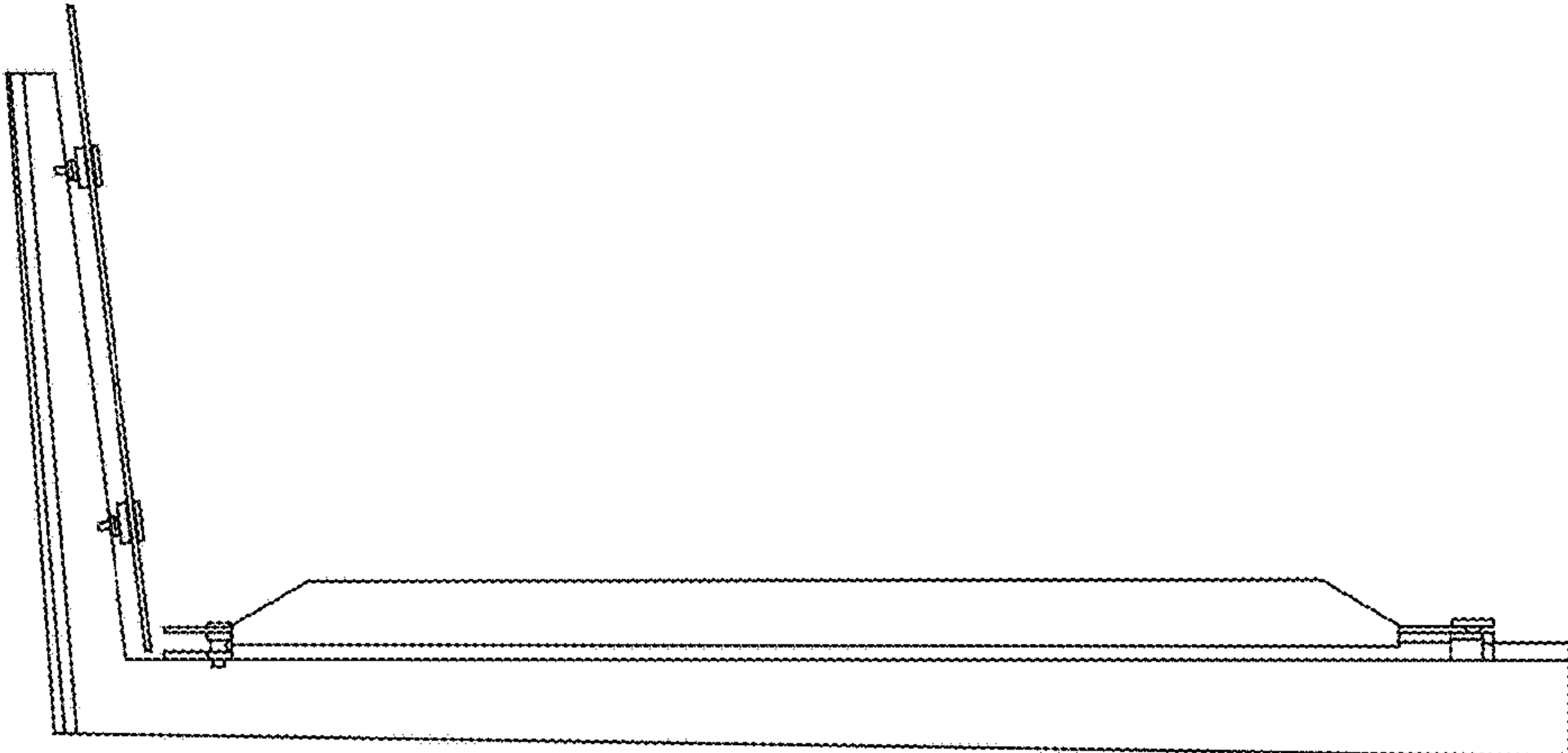


FIG. 3

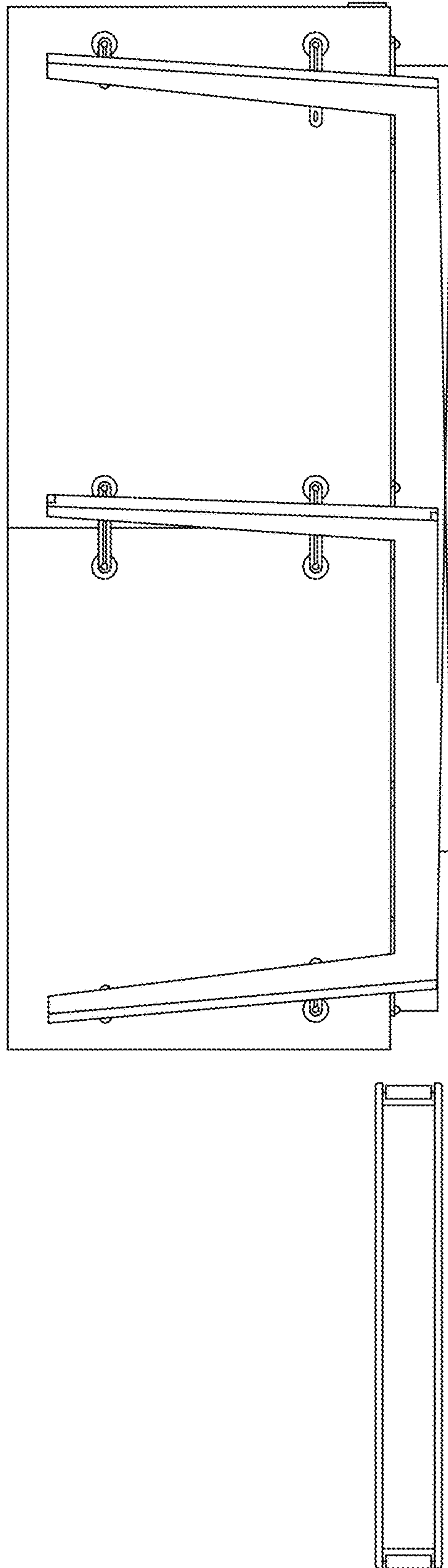


FIG. 5

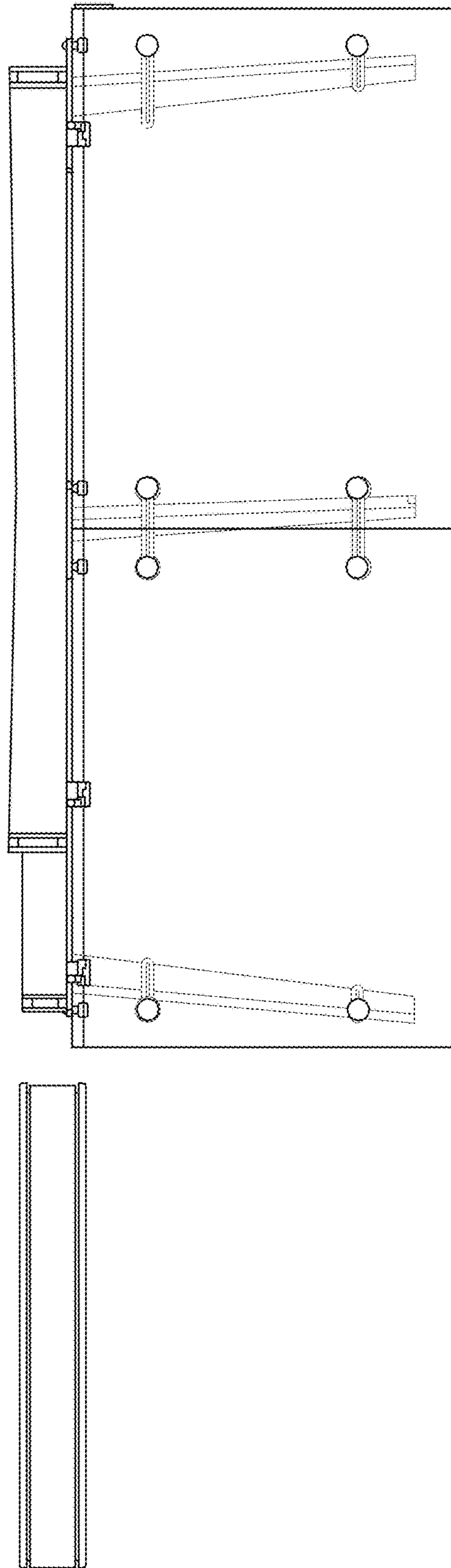


FIG. 6

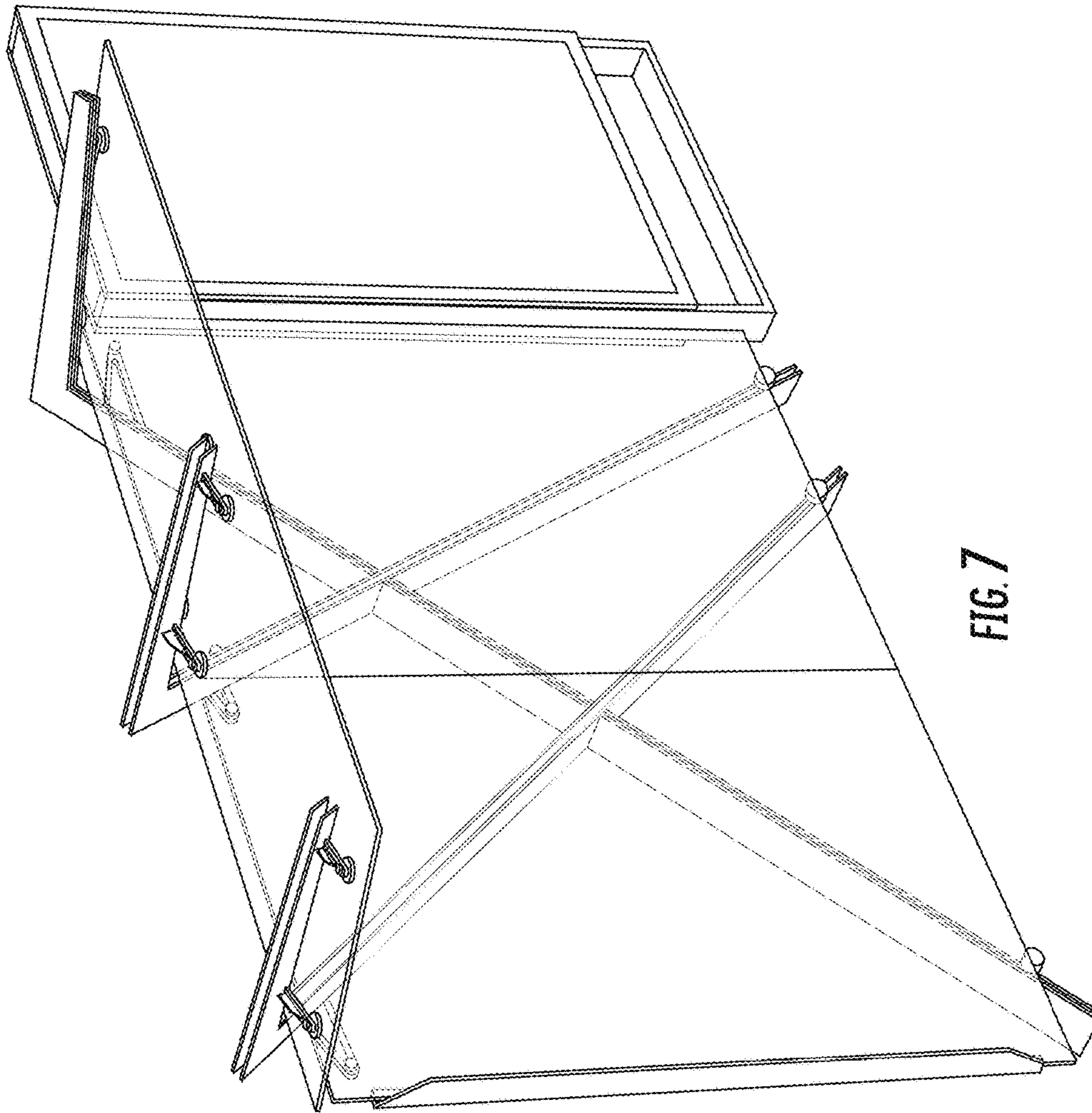


FIG. 7



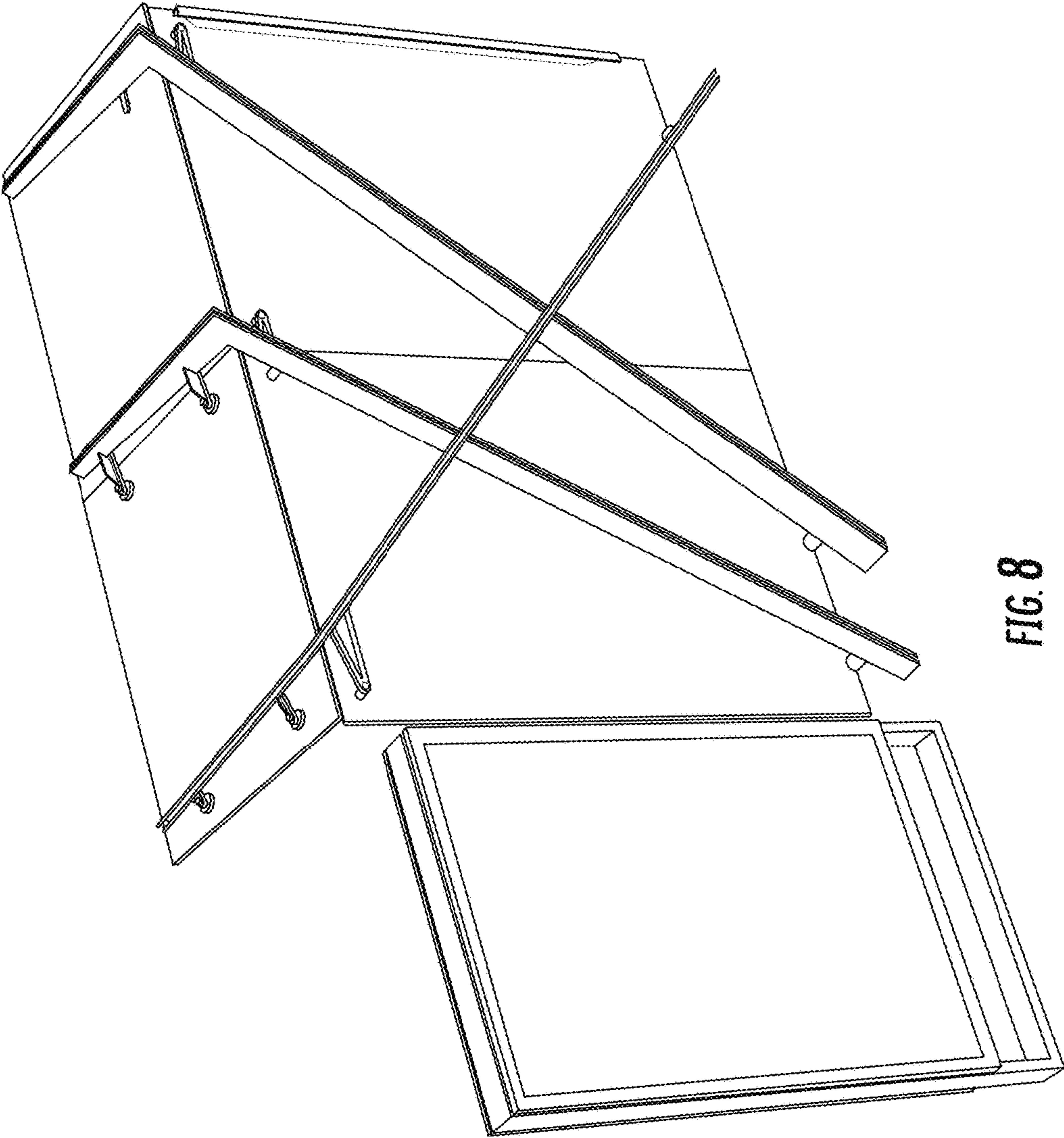


FIG. 8