



US00D782064S

(12) **United States Design Patent** (10) **Patent No.:** **US D782,064 S**
Shanafelter et al. (45) **Date of Patent:** **** Mar. 21, 2017**

- (54) **TUBE RACK**
- (71) Applicant: **Abbott Laboratories**, Abbott Park, IL (US)
- (72) Inventors: **Ronald J. Shanafelter**, Fremont, CA (US); **Roger W. Accurso**, Fremont, CA (US)
- (73) Assignee: **Abbott Laboratories**, Abbott Park, IL (US)

7,854,892	B2	12/2010	Veiner et al.	
7,945,428	B2	5/2011	Fox et al.	
7,998,409	B2	8/2011	Veiner et al.	
D645,156	S *	9/2011	Reitze	D24/227
8,161,831	B2	4/2012	Fukuma	
8,246,919	B2 *	8/2012	Herchenbach	B01L 9/06 211/71.01
8,262,994	B2	9/2012	Hamada et al.	
8,333,123	B2	12/2012	Tatsutani et al.	
D674,507	S *	1/2013	Suzuki	D24/229
D675,338	S *	1/2013	Suzuki	D24/229
D683,046	S *	5/2013	Yin	D24/230
8,534,456	B2	9/2013	Kimura et al.	

(Continued)

(**) Term: **15 Years**

- (21) Appl. No.: **29/549,025**
- (22) Filed: **Dec. 18, 2015**
- (51) **LOC (10) Cl.** **24-02**
- (52) **U.S. Cl.**
USPC **D24/227**
- (58) **Field of Classification Search**
USPC D24/227-230; 422/562, 561, 463, 560,
422/564; 211/74, 70.1; 206/443
CPC B01L 9/06; B01L 9/065
See application file for complete search history.

FOREIGN PATENT DOCUMENTS

EP	0867724	9/1998
EP	1152244	11/2001
EP	1680225	7/2006

Primary Examiner — Susan Bennett Hattan
Assistant Examiner — Rebecca Tsehaye
 (74) *Attorney, Agent, or Firm* — Edward J. Baba;
 Bozicevic, Field & Francis LLP

(57) **CLAIM**

The ornamental design for tube rack, as shown and described.

(56) **References Cited**

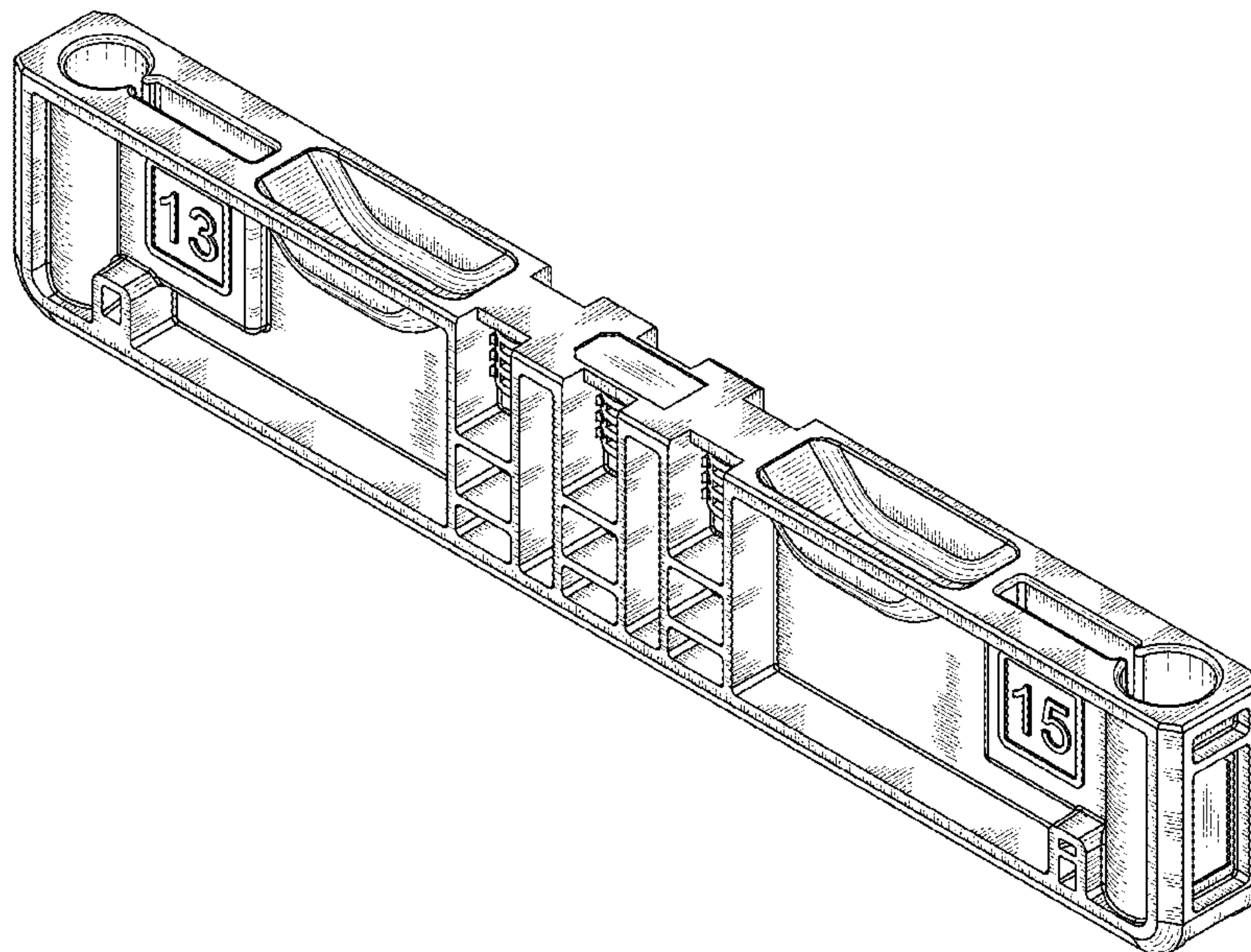
U.S. PATENT DOCUMENTS

D413,677	S *	9/1999	Dumitrescu	D24/227
D417,009	S *	11/1999	Boyd	D24/227
D420,747	S *	2/2000	Dumitrescu	D24/227
D421,130	S *	2/2000	Cohen	D24/229
6,019,945	A	2/2000	Ohishi et al.	
D428,497	S *	7/2000	Lapeus	D24/227
D448,854	S *	10/2001	Kuiper	D24/227
7,303,920	B2	12/2007	Stokes et al.	
7,448,487	B2	11/2008	Koike	
7,578,978	B2	8/2009	Justin et al.	
7,850,914	B2	12/2010	Veiner et al.	

DESCRIPTION

FIG. 1 is a top perspective view of a tube rack;
 FIG. 2 is a bottom perspective view of the tube rack;
 FIG. 3 is a top view of the tube rack;
 FIG. 4 is a bottom view of the tube rack;
 FIG. 5 is a front view of the tube rack;
 FIG. 6 is a back view of the tube rack;
 FIG. 7 is a first side view of the tube rack; and,
 FIG. 8 is a second side view of the tube rack.

1 Claim, 5 Drawing Sheets



(56)

References Cited

U.S. PATENT DOCUMENTS

8,623,657	B2	1/2014	Durack et al.	
8,697,014	B2 *	4/2014	Suzuki	B01L 9/06 206/443
8,698,644	B2	4/2014	Okubo	
8,772,738	B2	7/2014	Ozasa et al.	
8,845,985	B2 *	9/2014	Herchenbach	B01L 9/06 211/71.01
8,848,094	B2	9/2014	Li	
8,865,072	B2	10/2014	Nagai et al.	
8,977,030	B2	3/2015	Yamada	
9,040,304	B2	5/2015	Durack et al.	
9,091,803	B2	7/2015	Meng et al.	
9,144,801	B2 *	9/2015	Johnson	B01L 9/06
9,157,925	B2	10/2015	Yamasaki et al.	
9,243,995	B2	1/2016	Fox et al.	
2003/0034317	A1 *	2/2003	Lafond	B01L 9/06 211/74
2012/0051987	A1 *	3/2012	Johnson	B01L 9/06 422/562
2015/0132841	A1 *	5/2015	Sampson	B01L 3/50853 435/306.1

* cited by examiner

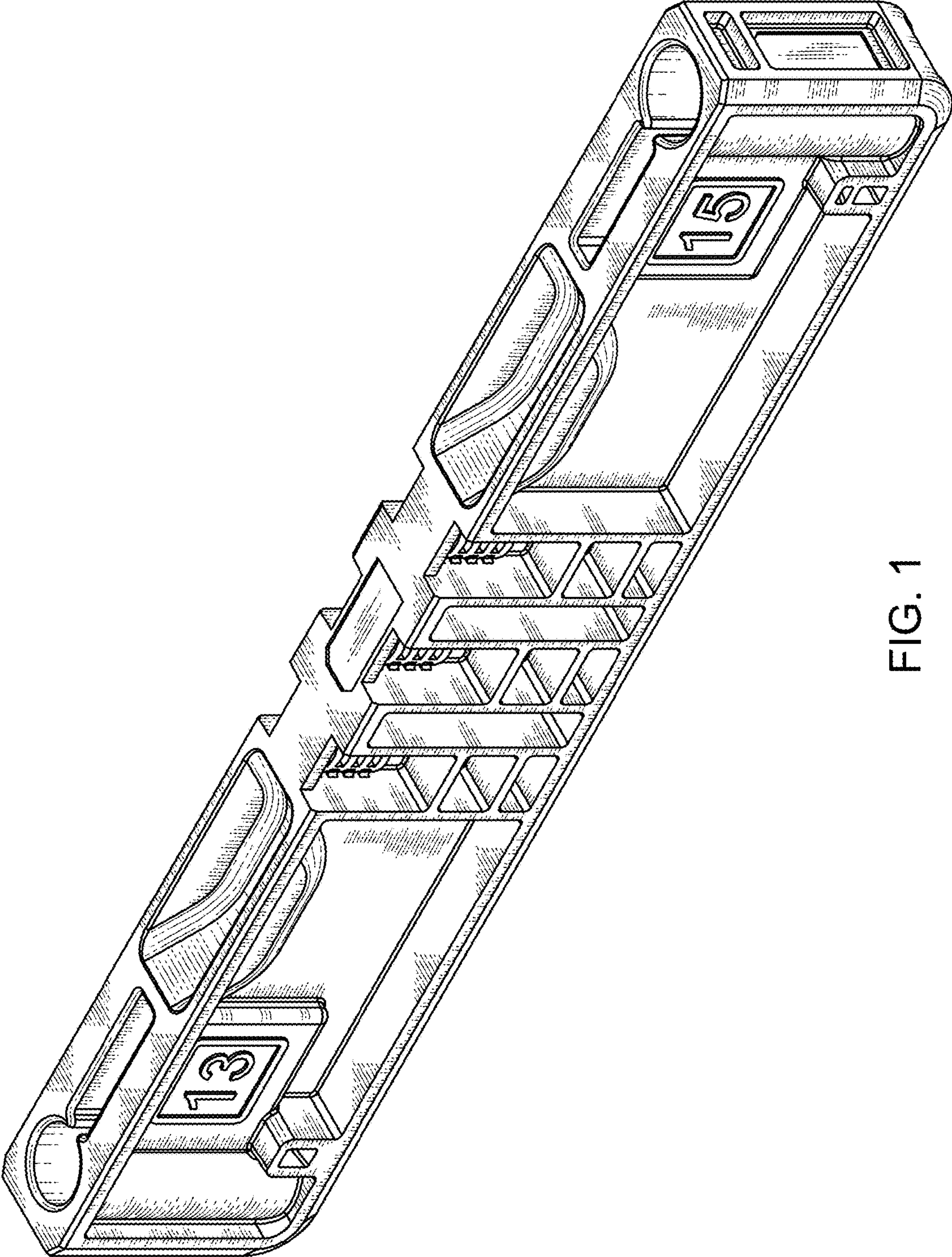


FIG. 1

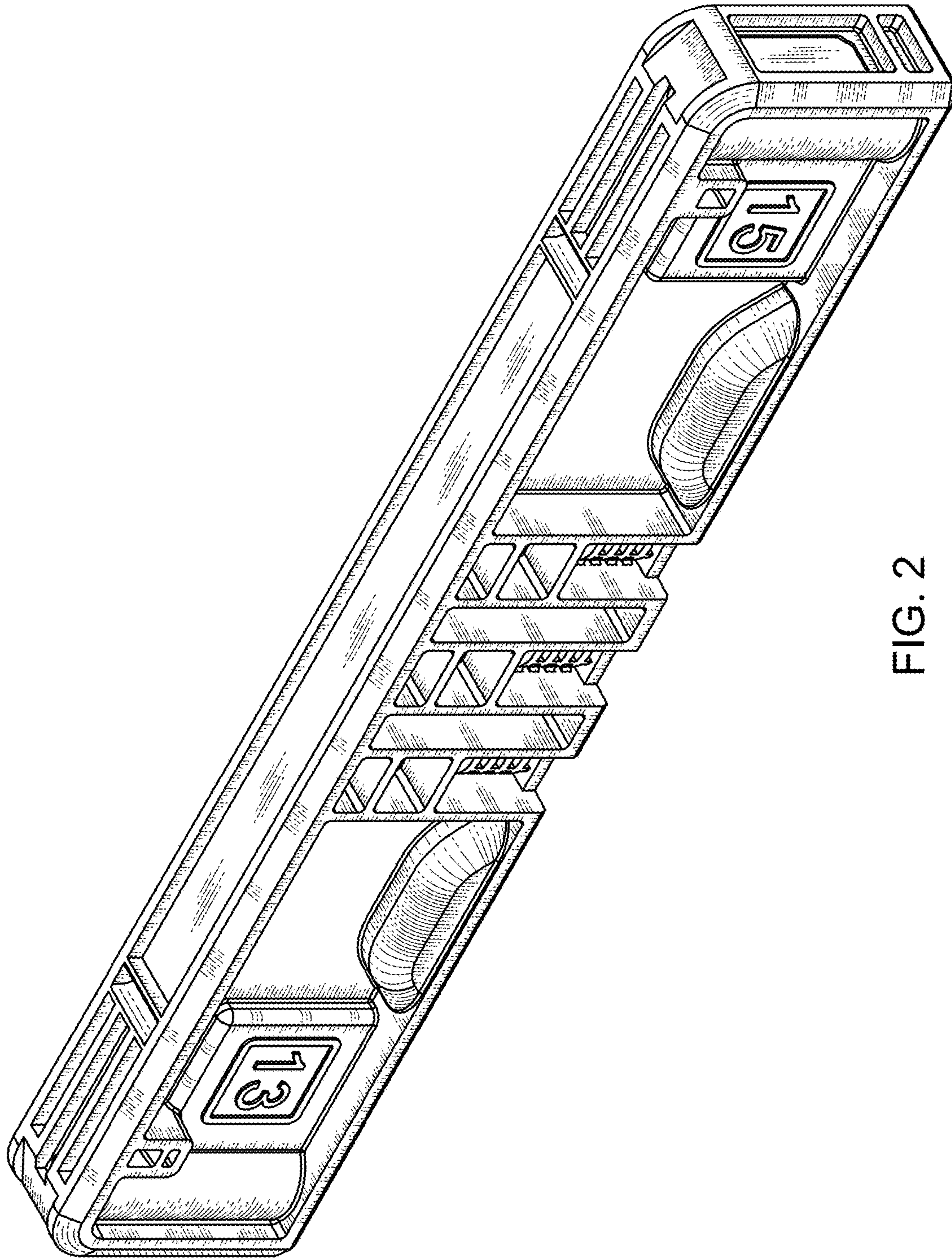


FIG. 2

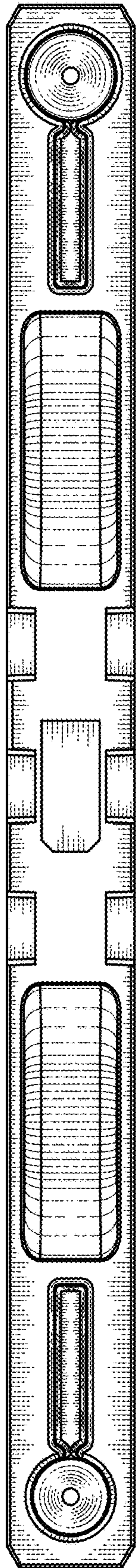


FIG. 3

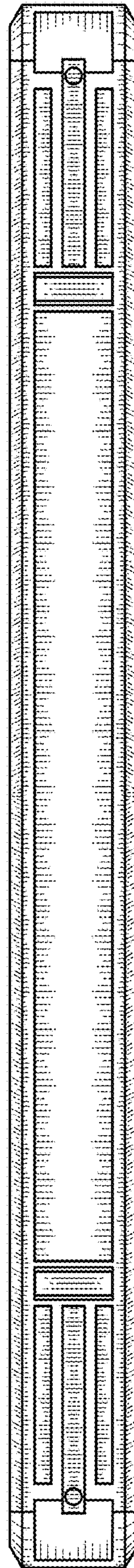


FIG. 4

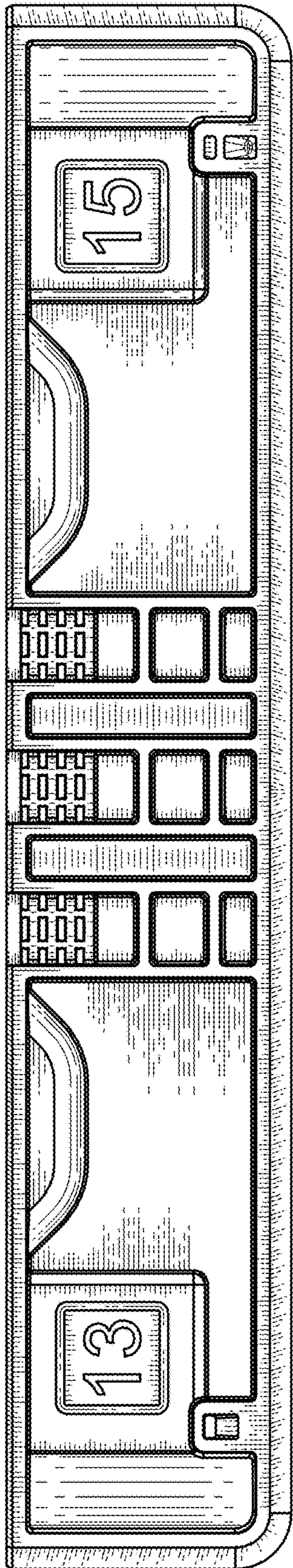


FIG. 5

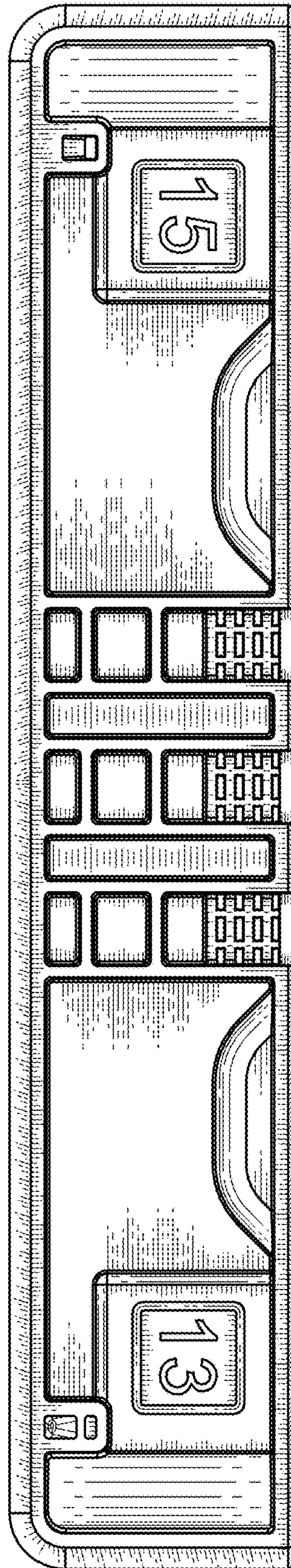


FIG. 6

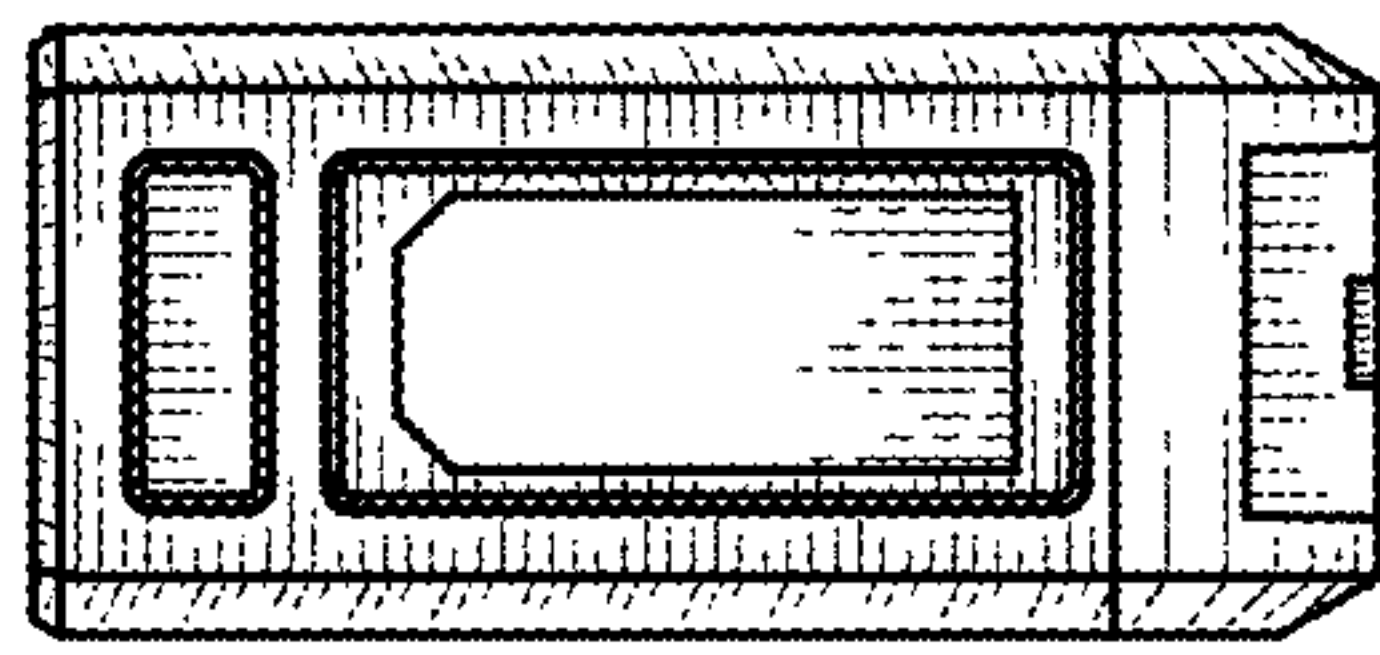


FIG. 8

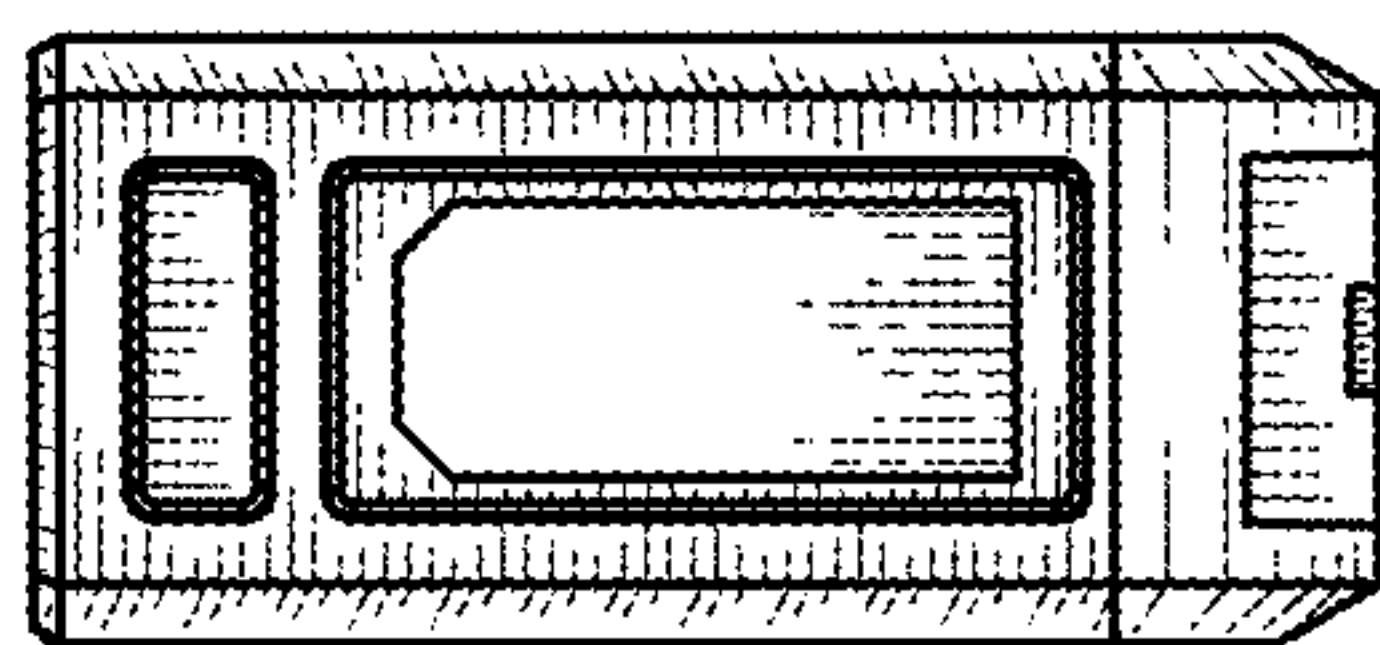


FIG. 7