



US00D782063S

(12) **United States Design Patent** (10) **Patent No.:** **US D782,063 S**
Luoma, II et al. (45) **Date of Patent:** **** Mar. 21, 2017**

(54) **REAGENT KIT WITH MULTIPLE BOTTLES**

(71) Applicant: **Abbott Laboratories**, Abbott Park, IL (US)

(72) Inventors: **Robert Paul Luoma, II**, Colleyville, TX (US); **Brian Ochraneck**, Southlake, TX (US); **Cheryl L Davidson**, Southlake, TX (US); **Bradley Weston**, Frisco, TX (US)

(73) Assignee: **ABBOTT LABORATORIES**, Abbott Park, IL (US)

(**) Term: **15 Years**

(21) Appl. No.: **29/549,349**

(22) Filed: **Dec. 21, 2015**

Related U.S. Application Data

(63) Continuation-in-part of application No. 29/531,434, filed on Jun. 25, 2015.

(51) **LOC (10) Cl.** **24-02**

(52) **U.S. Cl.**
USPC **D24/224**

(58) **Field of Classification Search**
USPC D24/216, 223-232, 121; 422/297, 300, 422/500, 547-566, 540, 63, 400, 68.1; 211/85.13, 83; 217/58; D3/203.1-203.8, D3/315; 206/563, 219, 443; 700/218; D9/423, 424, 455, 517; 215/235; 220/23.83

CPC B01L 3/50825; B01L 9/00; B01L 9/06; B01L 3/0234; B01F 13/0016; B01F 11/0022; B01F 13/002; B01F 5/0647; B01J 19/0046; B65D 47/00; G01N 35/00

See application file for complete search history.

(56) **References Cited**

U.S. PATENT DOCUMENTS

D273,987 S *	5/1984	Holen	D9/423
4,515,753 A *	5/1985	Smith	B01L 3/0293 206/219
D297,166 S *	8/1988	Hollar	D24/226
4,849,177 A *	7/1989	Jordan	B01L 3/508 422/562
5,005,721 A *	4/1991	Jordan	B01L 3/50853 220/23.83

(Continued)

Primary Examiner — Ian Simmons

Assistant Examiner — Mark Cavanna

(74) *Attorney, Agent, or Firm* — McAndrews, Held & Malloy, Ltd.

(57) **CLAIM**

The ornamental design for a reagent kit with multiple bottles, as shown and described.

DESCRIPTION

The file of this patent contains at least one drawing/photograph executed in color. Copies of this patent with color drawings(s)/photograph(s) will be provided by the Office upon request and payment of the necessary fee.

FIG. 1 is a front perspective view of a reagent kit with multiple bottles showing my new design;

FIG. 2 is a front elevation view thereof;

FIG. 3 is a rear elevation view thereof;

FIG. 4 is a right-side elevation view thereof;

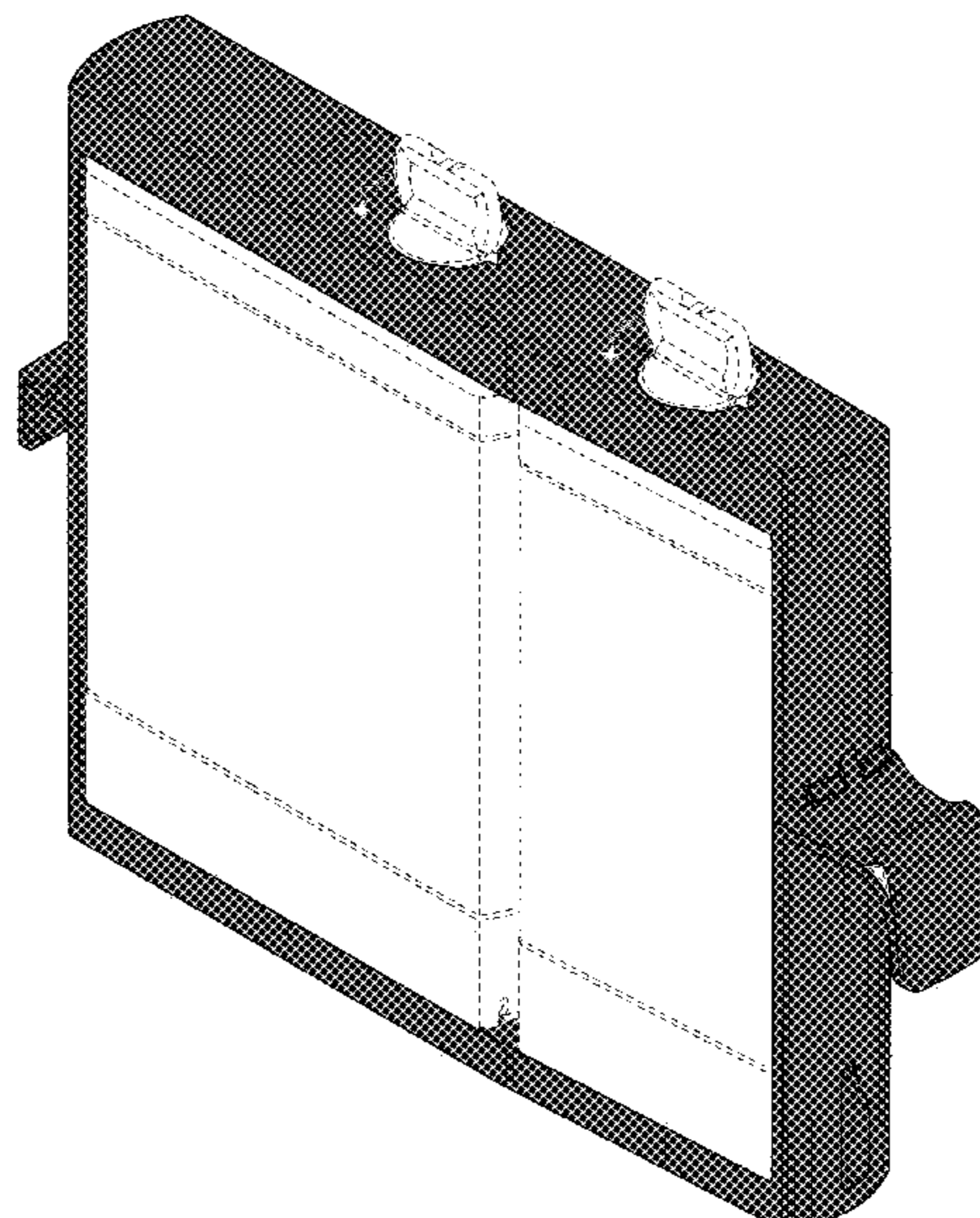
FIG. 5 is a left-side elevation view thereof;

FIG. 6 is a top plan view thereof; and,

FIG. 7 is a bottom plan view thereof.

The broken lines in the drawings illustrate portions of the reagent kit with multiple bottles that form no part of the claimed design.

1 Claim, 4 Drawing Sheets
(4 of 4 Drawing Sheet(s) Filed in Color)



(56)

References Cited

U.S. PATENT DOCUMENTS

5,324,481	A *	6/1994	Dunn	B01L 9/06	422/547
D355,260	S *	2/1995	Tomasso	D9/517	
5,417,922	A *	5/1995	Markin	B01L 9/06	422/562
D365,153	S *	12/1995	Robertson, Jr.	D24/224	
5,578,272	A *	11/1996	Koch	B01L 3/50825	422/566
D404,831	S *	1/1999	Yamazaki	D24/224	
D411,014	S *	6/1999	Berger	D24/223	
6,066,300	A *	5/2000	Carey	B01F 13/0016	206/443
D433,149	S *	10/2000	Fassbind	D24/121	
6,190,617	B1 *	2/2001	Clark	B01F 11/0022	422/566
6,190,619	B1 *	2/2001	Kilcoin	B01J 19/0046	422/540
6,511,634	B1 *	1/2003	Bradshaw	B01F 13/002	422/547
6,517,783	B2 *	2/2003	Horner	B01L 9/06	422/63
D482,454	S *	11/2003	Gebrian	D24/226	
6,866,820	B1 *	3/2005	Otto	B65D 47/00	215/235
D620,603	S *	7/2010	Talmer	D24/224	
D630,765	S *	1/2011	Winkenbach	D24/224	
D632,402	S *	2/2011	Sattler	D24/224	
D637,731	S *	5/2011	Sattler	D24/224	
D645,973	S *	9/2011	Hoenes	D24/224	
D665,095	S *	8/2012	Wilson	D24/227	
D666,736	S *	9/2012	Kobayashi	D24/224	
D672,881	S *	12/2012	Kraihanzel	D24/224	
D696,419	S *	12/2013	Fusellier	D24/230	
2002/0169518	A1 *	11/2002	Luoma, II	B01L 9/00	700/218
2004/0005714	A1 *	1/2004	Safar	B01L 3/0234	422/63
2007/0166193	A1 *	7/2007	Veen	G01N 35/00	422/400
2008/0056948	A1 *	3/2008	Dale	B01F 5/0647	422/68.1

* cited by examiner

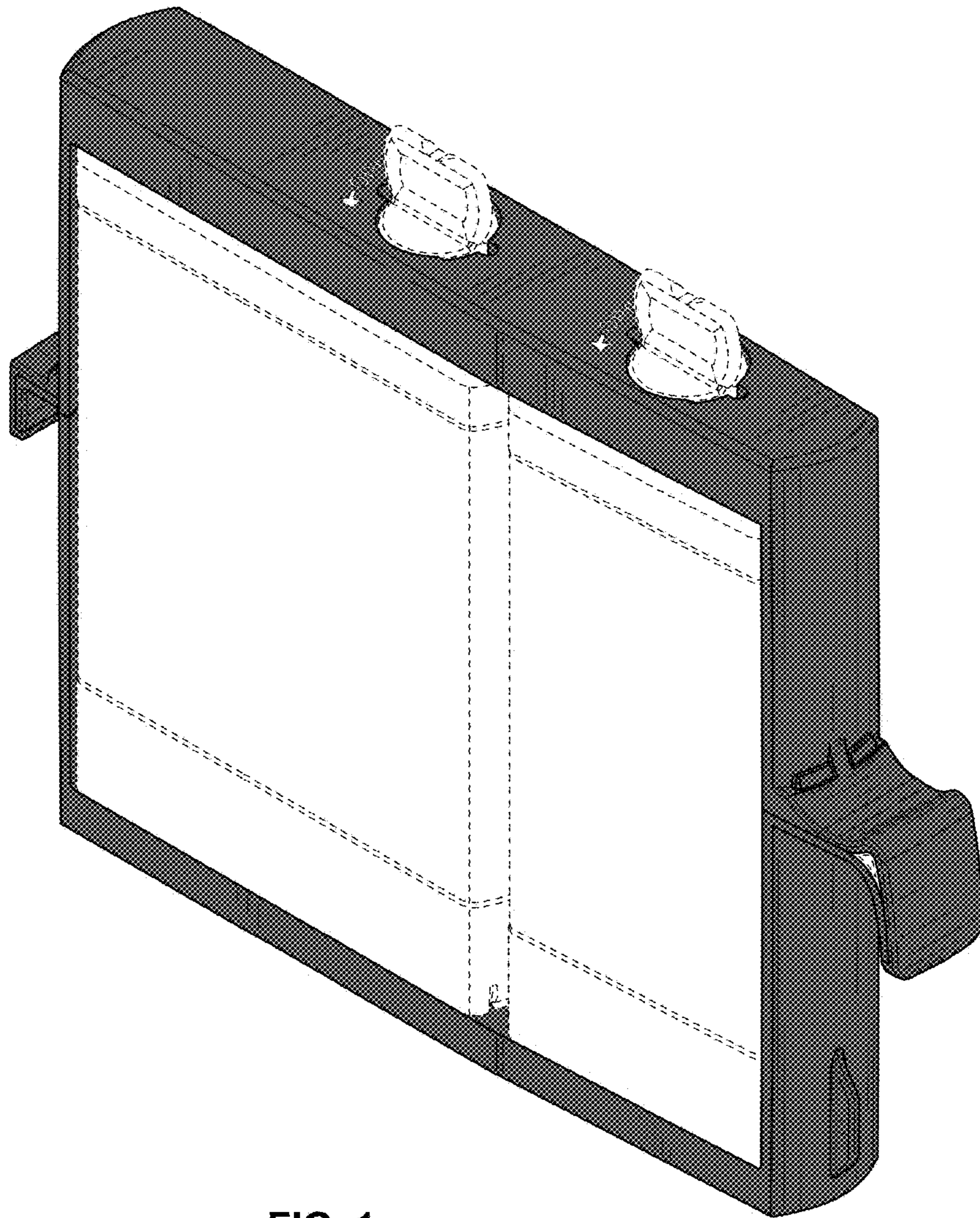


FIG. 1

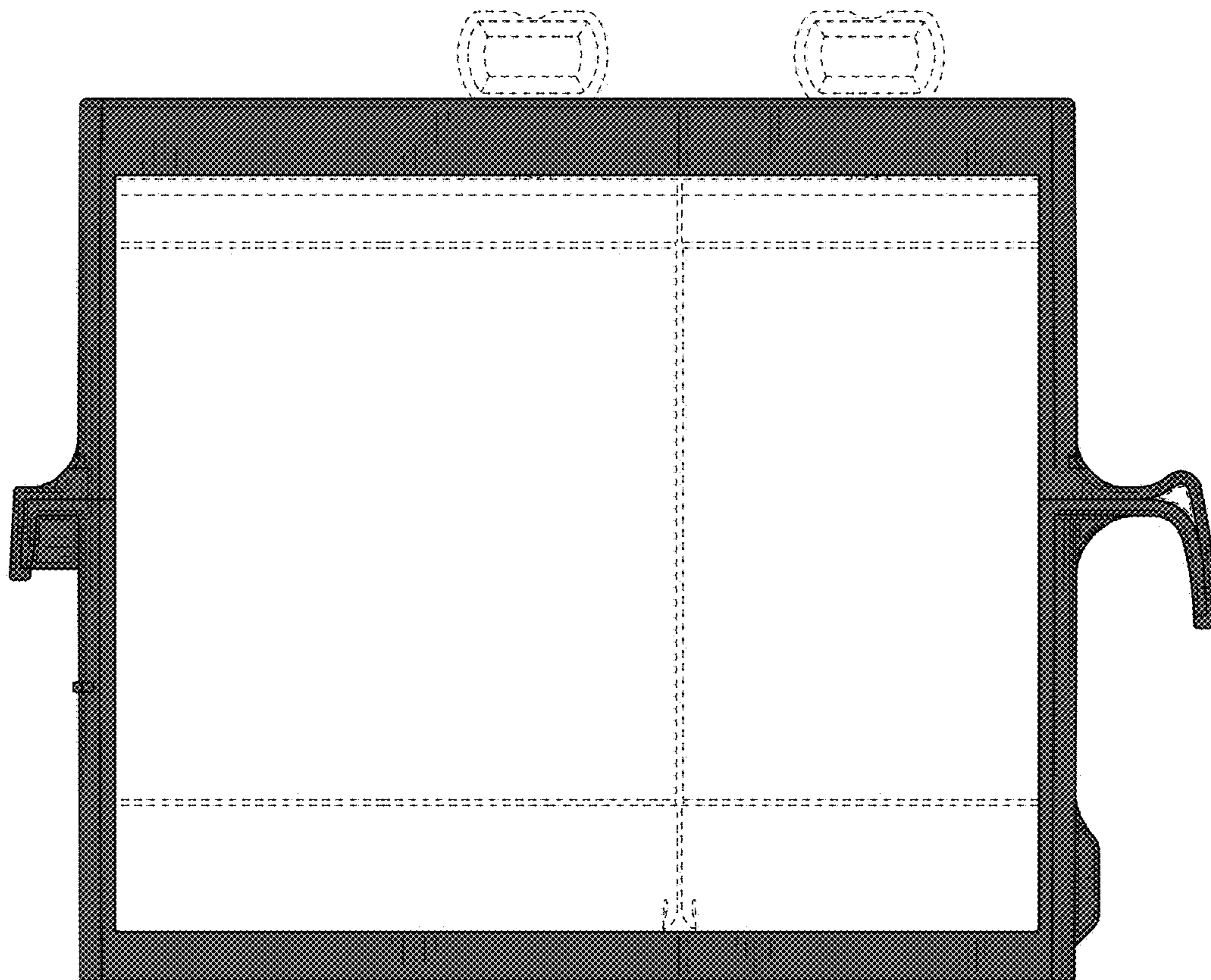


FIG. 2

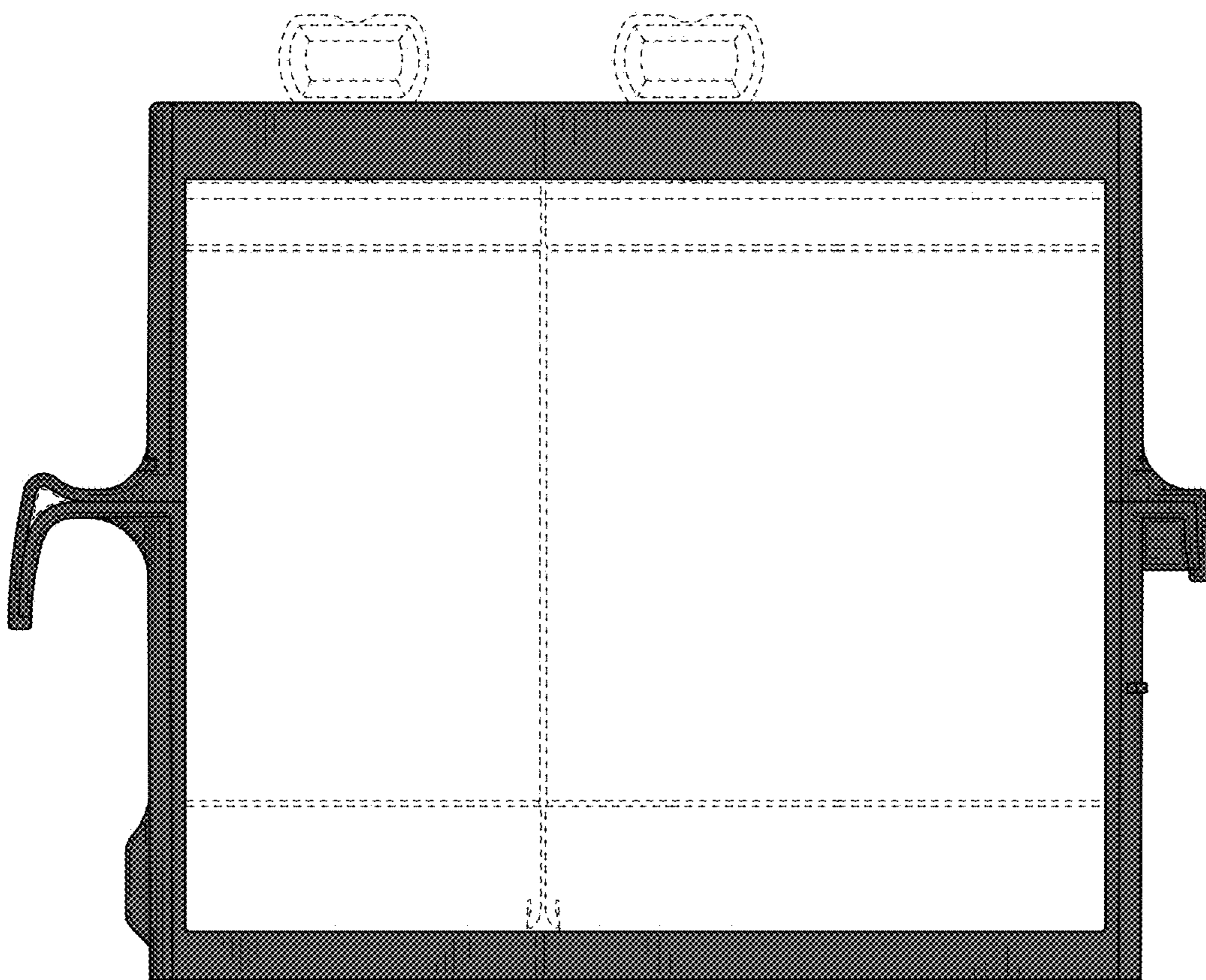


FIG. 3

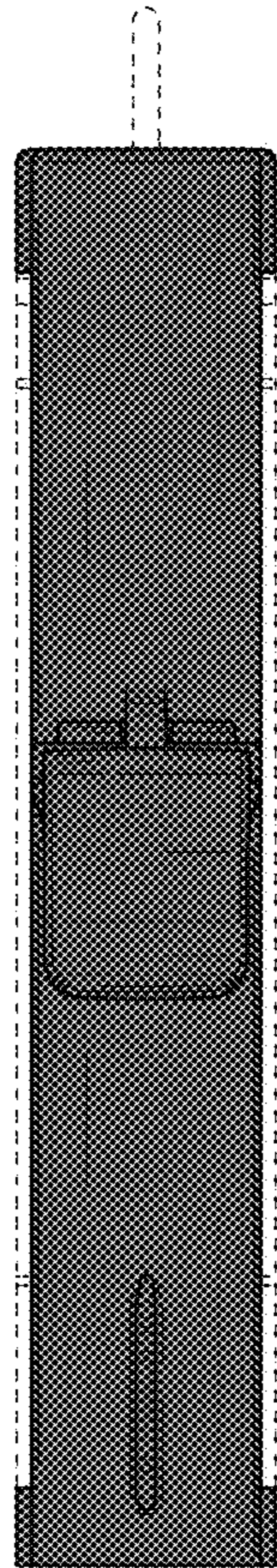


FIG. 4

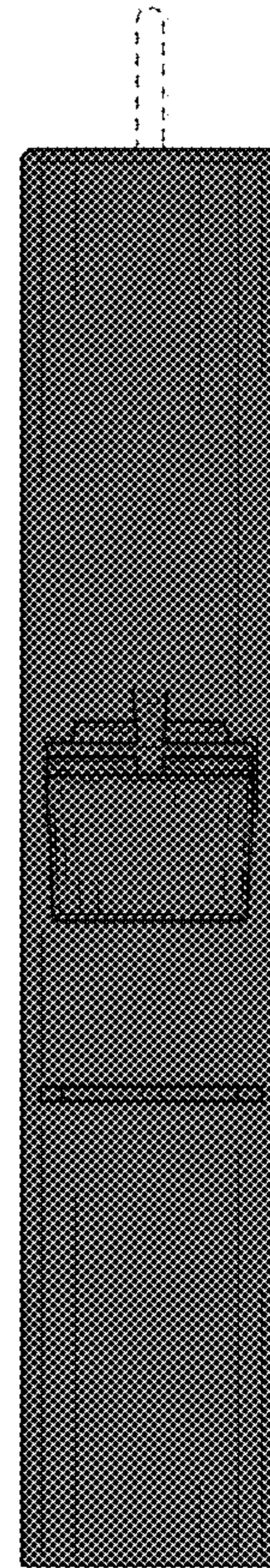


FIG. 5

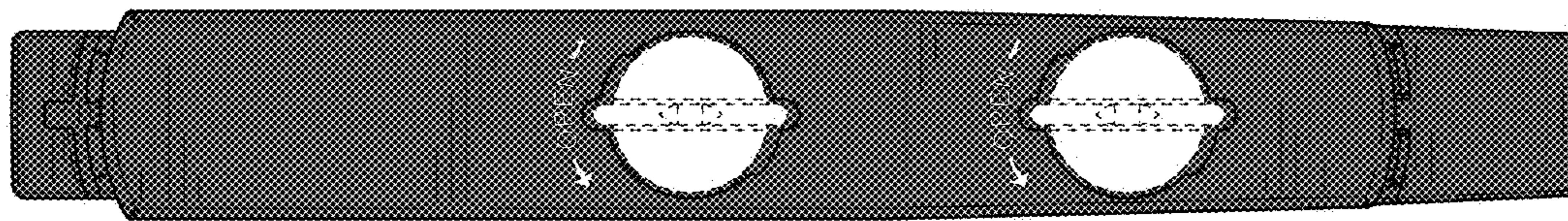


FIG. 6

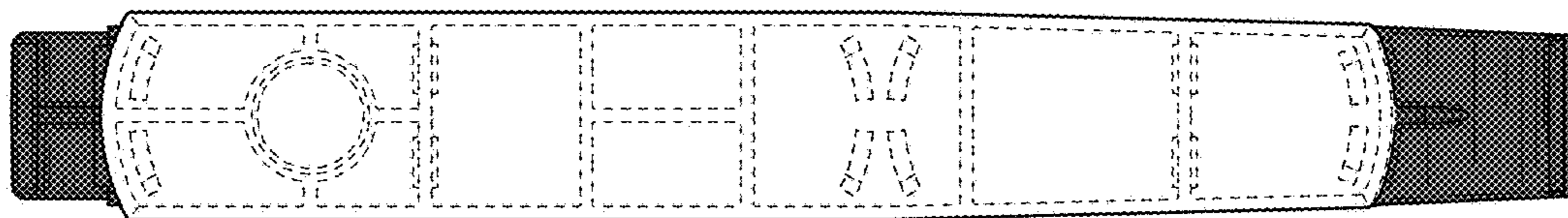


FIG. 7