



US00D782062S

(12) **United States Design Patent**
Luoma, II

(10) **Patent No.:** **US D782,062 S**

(45) **Date of Patent:** **** *Mar. 21, 2017**

(54) **REAGENT KIT WITH MULTIPLE BOTTLES**

(71) Applicant: **Abbott Laboratories**, Abbott Park, IL (US)

(72) Inventor: **Robert Paul Luoma, II**, Colleyville, TX (US)

(73) Assignee: **ABBOTT LABORATORIES**, Abbott Park, IL (US)

(*) Notice: This patent is subject to a terminal disclaimer.

(**) Term: **15 Years**

(21) Appl. No.: **29/549,347**

(22) Filed: **Dec. 21, 2015**

Related U.S. Application Data

(63) Continuation-in-part of application No. 29/531,426, filed on Jun. 25, 2015.

(51) **LOC (10) Cl.** **24-02**

(52) **U.S. Cl.**
USPC **D24/224**

(58) **Field of Classification Search**
USPC D24/216, 223-232, 121; 422/297, 300, 422/500, 547-566, 540, 63, 400, 68.1; 211/85.13, 83; 217/58; D3/203.1-203.8, D3/315; 206/563, 219, 443; 700/218; D9/423, 424, 455, 517; 215/235; 220/23.83

CPC B01L 3/50825; B01L 9/00; B01L 9/06; B01L 3/0234; B01F 13/0016; B01F 11/0022; B01F 13/002; B01F 5/0647; B01J 19/0046; B65D 47/00; G01N 35/00

See application file for complete search history.

(56) **References Cited**

U.S. PATENT DOCUMENTS

D273,987 S *	5/1984	Holen	D24/223
4,515,753 A *	5/1985	Smith	B01L 3/0293
			206/219
D297,166 S *	8/1988	Hollar	D24/226
4,849,177 A *	7/1989	Jordan	B01L 3/508
			422/562
5,005,721 A *	4/1991	Jordan	B01L 3/50853
			220/23.83

(Continued)

Primary Examiner — Ian Simmons

Assistant Examiner — Mark Cavanna

(74) *Attorney, Agent, or Firm* — McAndrews, Held & Malloy, Ltd.

(57) **CLAIM**

The ornamental design for a reagent kit with multiple bottles, as shown and described.

DESCRIPTION

The file of this patent contains at least one drawing/photograph executed in color. Copies of this patent with color drawings(s)/photograph(s) will be provided by the Office upon request and payment of the necessary fee.

FIG. 1 is a front perspective view of a reagent kit with multiple bottles showing my new design;

FIG. 2 is a front elevation view thereof;

FIG. 3 is a rear elevation view thereof;

FIG. 4 is a right-side elevation view thereof;

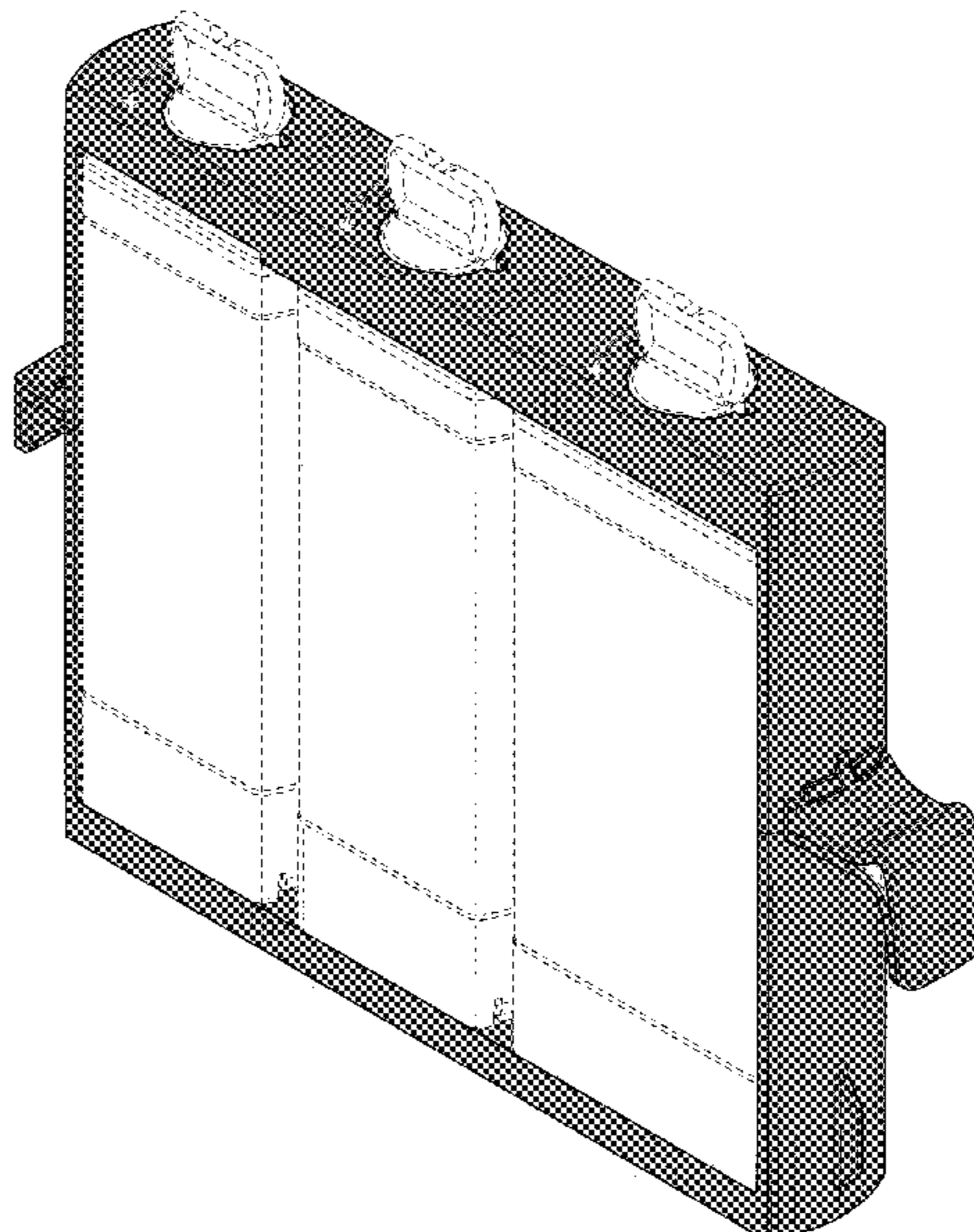
FIG. 5 is a left-side elevation view thereof;

FIG. 6 is a top plan view thereof; and,

FIG. 7 is a bottom plan view thereof.

The broken lines in the drawings illustrate portions of the reagent kit with multiple bottles that form no part of the claimed design.

1 Claim, 4 Drawing Sheets
(4 of 4 Drawing Sheet(s) Filed in Color)



(56)

References Cited

U.S. PATENT DOCUMENTS

5,324,481 A * 6/1994 Dunn B01L 9/06
 422/547
 D355,260 S * 2/1995 Tomasso D9/517
 5,417,922 A * 5/1995 Markin B01L 9/06
 422/562
 D365,153 S * 12/1995 Robertson, Jr. D24/224
 5,578,272 A * 11/1996 Koch B01L 3/50825
 422/566
 D404,831 S * 1/1999 Yamazaki D24/224
 D411,014 S * 6/1999 Berger D24/223
 6,066,300 A * 5/2000 Carey B01F 13/0016
 206/443
 D433,149 S * 10/2000 Fassbind D24/121
 6,190,617 B1 * 2/2001 Clark B01F 11/0022
 422/566
 6,190,619 B1 * 2/2001 Kilcoin B01J 19/0046
 422/540
 6,511,634 B1 * 1/2003 Bradshaw B01F 13/002
 422/547

6,517,783 B2 * 2/2003 Horner B01L 9/06
 422/63
 D482,454 S * 11/2003 Gebrian D24/224
 6,866,820 B1 * 3/2005 Otto B65D 47/00
 215/235
 D620,603 S * 7/2010 Talmer D24/224
 D630,765 S * 1/2011 Winkenbach D24/224
 D632,402 S * 2/2011 Sattler D24/224
 D637,731 S * 5/2011 Sattler D24/224
 D645,973 S * 9/2011 Hoenes D24/224
 D665,095 S * 8/2012 Wilson D24/227
 D666,736 S * 9/2012 Kobayashi D24/224
 D672,881 S * 12/2012 Kraihanzel D24/224
 D696,419 S * 12/2013 Fusellier D24/230
 2002/0169518 A1 * 11/2002 Luoma, II B01L 9/00
 700/218
 2004/0005714 A1 * 1/2004 Safar B01L 3/0234
 422/63
 2007/0166193 A1 * 7/2007 Veen 422/400
 2008/0056948 A1 * 3/2008 Dale B01F 5/0647
 422/68.1

* cited by examiner

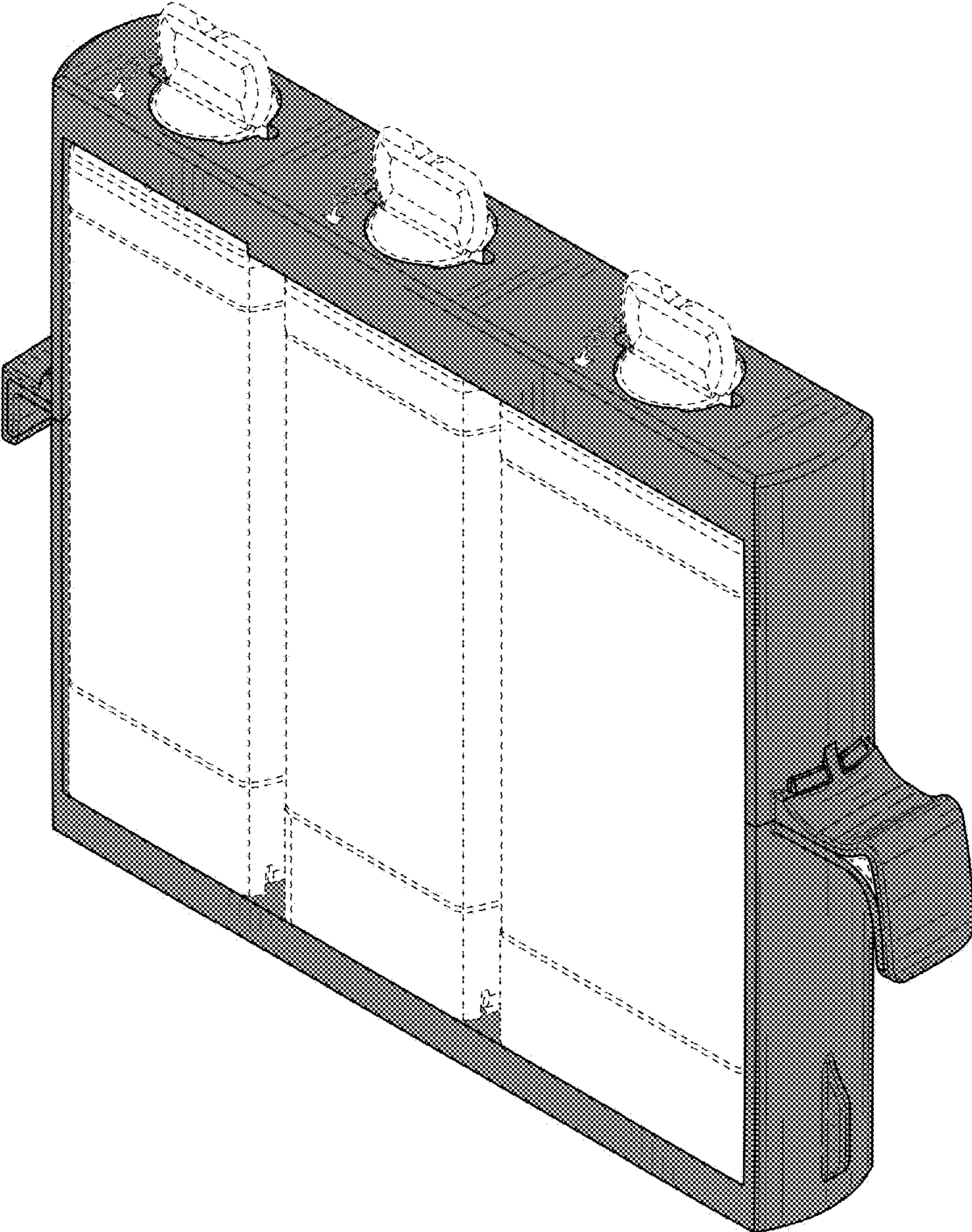


FIG. 1

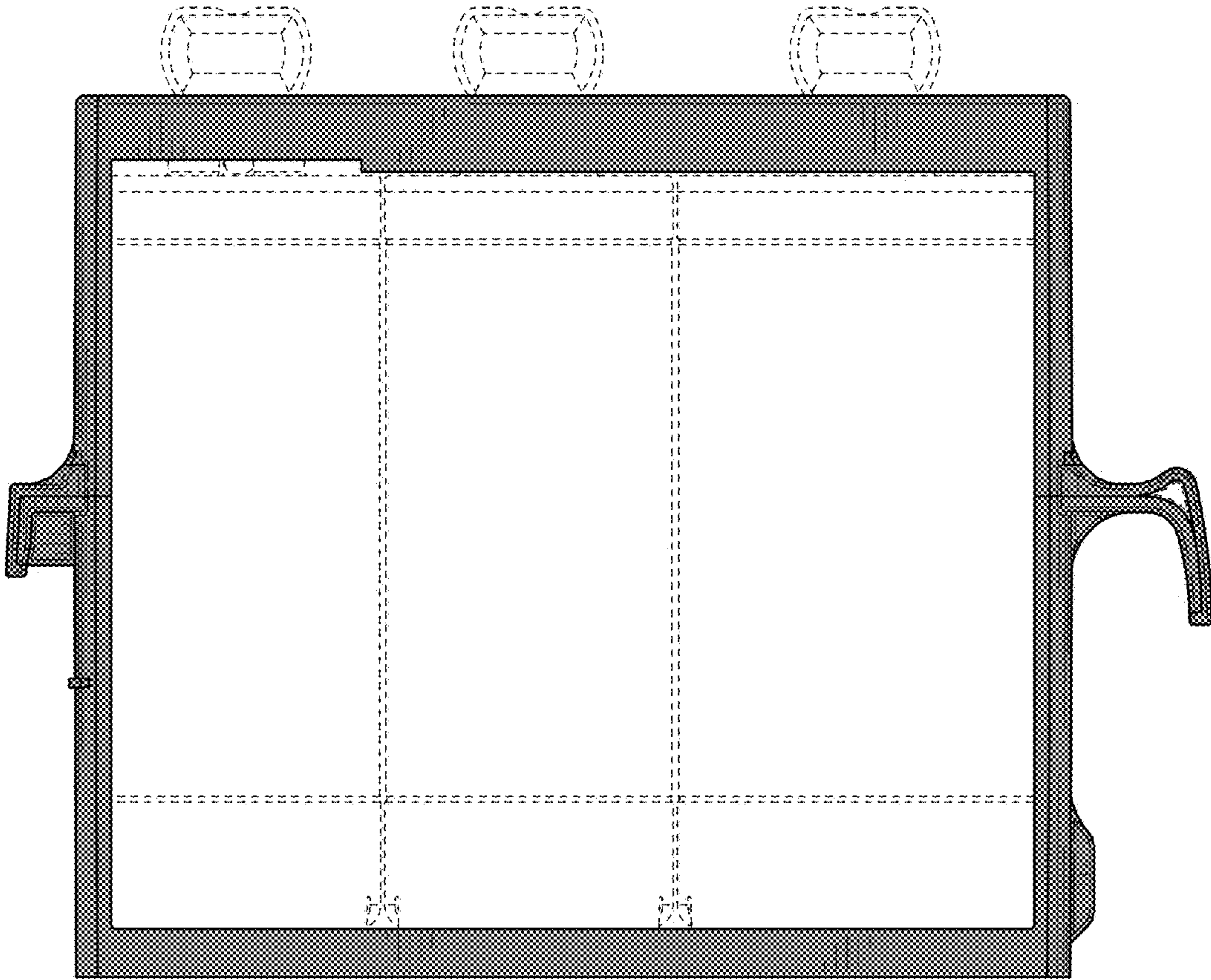


FIG. 2

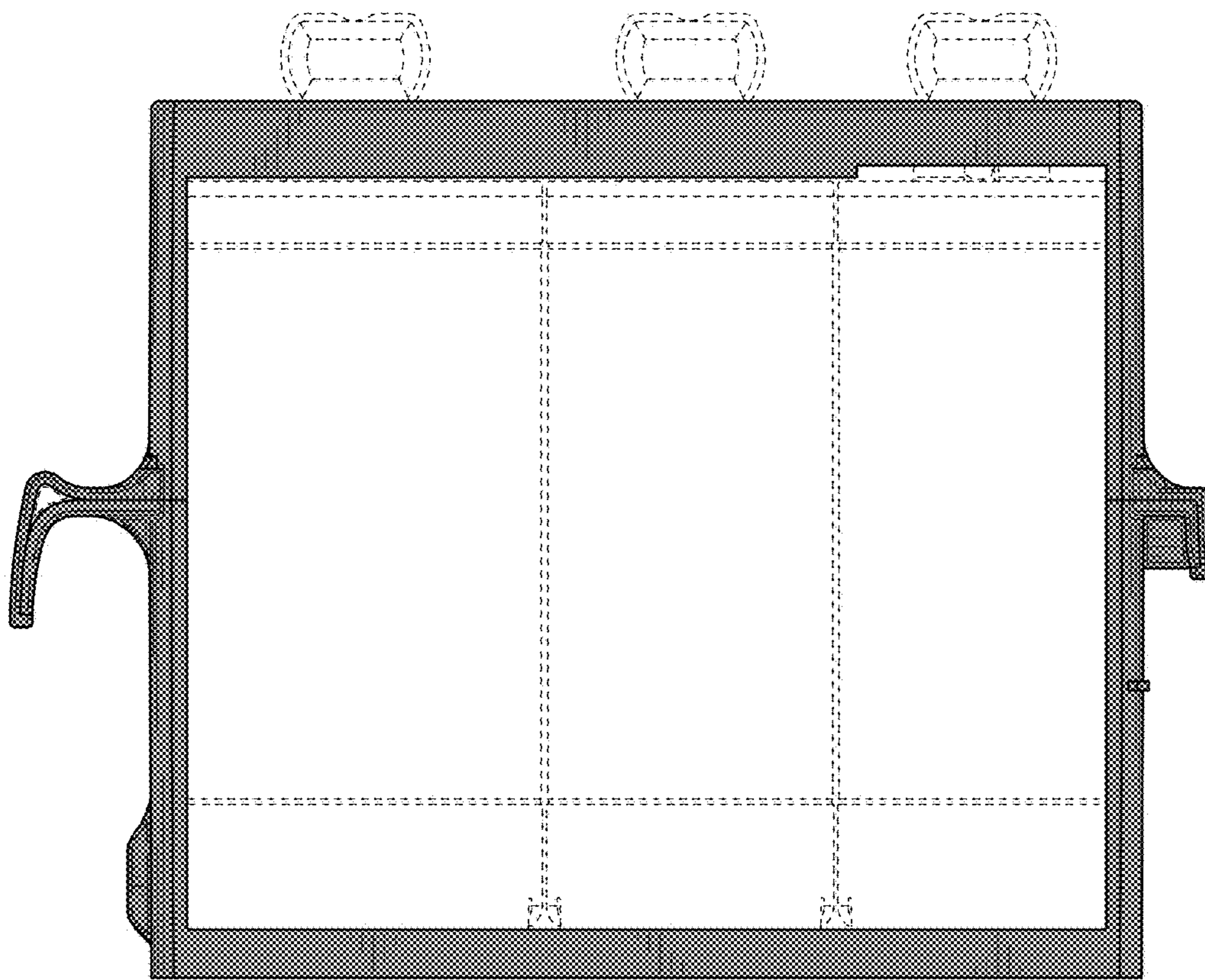


FIG. 3

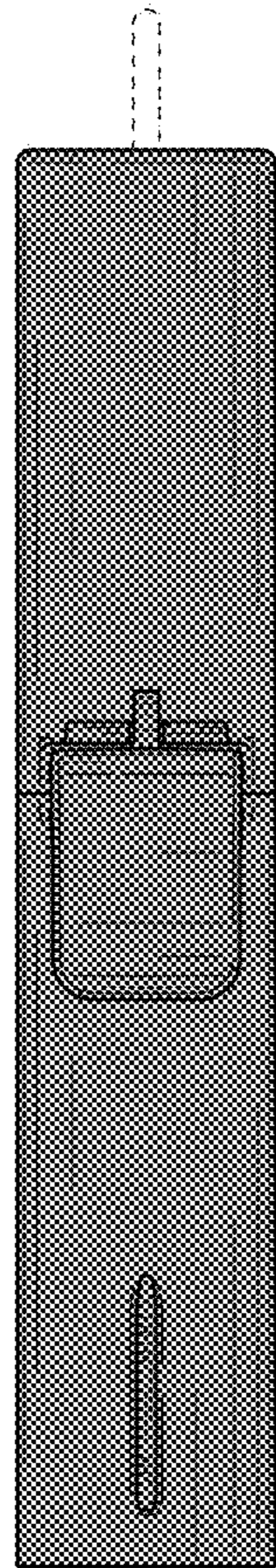


FIG. 4

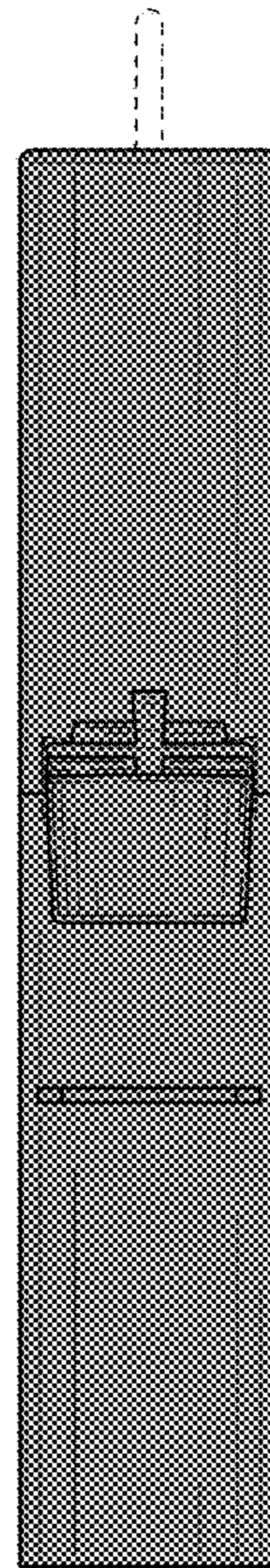


FIG. 5

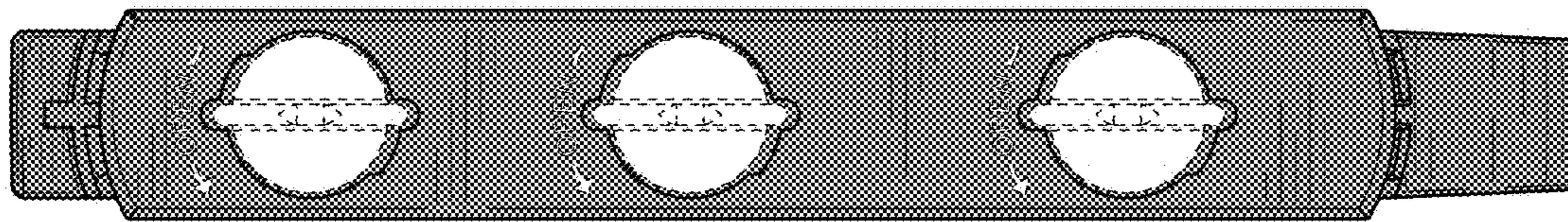


FIG. 6

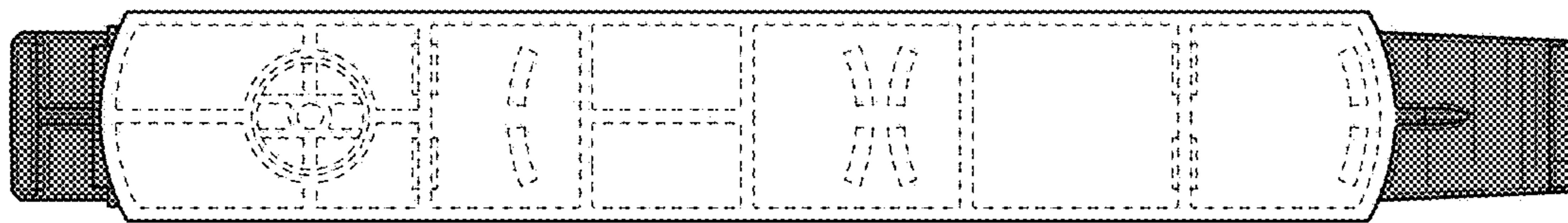


FIG. 7