



US00D782061S

(12) **United States Design Patent** (10) **Patent No.:** **US D782,061 S**  
**Luoma, II** (45) **Date of Patent:** **\*\* \*Mar. 21, 2017**

(54) **REAGENT KIT WITH MULTIPLE BOTTLES**

(71) Applicant: **Abbott Laboratories**, Abbott Park, IL (US)

(72) Inventor: **Robert Paul Luoma, II**, Colleyville, TX (US)

(73) Assignee: **ABBOTT LABORATORIES**, Abbott Park, IL (US)

(\*) Notice: This patent is subject to a terminal disclaimer.

(\*\*) Term: **15 Years**

(21) Appl. No.: **29/549,346**

(22) Filed: **Dec. 21, 2015**

**Related U.S. Application Data**

(63) Continuation-in-part of application No. 29/531,426, filed on Jun. 25, 2015.

(51) **LOC (10) Cl.** ..... **24-02**

(52) **U.S. Cl.**  
USPC ..... **D24/224**

(58) **Field of Classification Search**  
USPC ..... D24/216, 223-232, 121; 422/297, 300, 422/500, 547-566, 540, 63, 400, 68.1; 211/85.13, 83; 217/58; D3/203.1-203.8, D3/315; 206/563, 219, 443; 700/218; D9/423, 424, 455, 517; 215/235; 220/23.83

CPC ..... B01L 3/50825; B01L 9/00; B01L 9/06; B01L 3/0234; B01F 13/0016; B01F 11/0022; B01F 13/002; B01F 5/0647; B01J 19/0046; B65D 47/00; G01N 35/00

See application file for complete search history.

(56) **References Cited**

U.S. PATENT DOCUMENTS

D273,987 S *	5/1984	Holen .....	D24/223
4,515,753 A *	5/1985	Smith .....	B01L 3/0293
			206/219
D297,166 S *	8/1988	Hollar .....	D24/226
4,849,177 A *	7/1989	Jordan .....	B01L 3/508
			422/562
5,005,721 A *	4/1991	Jordan .....	B01L 3/50853
			220/23.83

(Continued)

*Primary Examiner* — Ian Simmons

*Assistant Examiner* — Mark Cavanna

(74) *Attorney, Agent, or Firm* — McAndrews, Held & Malloy, Ltd.

(57) **CLAIM**

The ornamental design for a reagent kit with multiple bottles, as shown and described.

**DESCRIPTION**

The patent or application file contains at least one drawing executed in color. Copies of this patent or patent application publication with color drawing(s) will be provided by the Office upon request and payment of the necessary fee.

FIG. 1 is a front perspective view of a reagent kit with multiple bottles showing my new design;

FIG. 2 is a front elevation view thereof;

FIG. 3 is a rear elevation view thereof;

FIG. 4 is a right-side elevation view thereof;

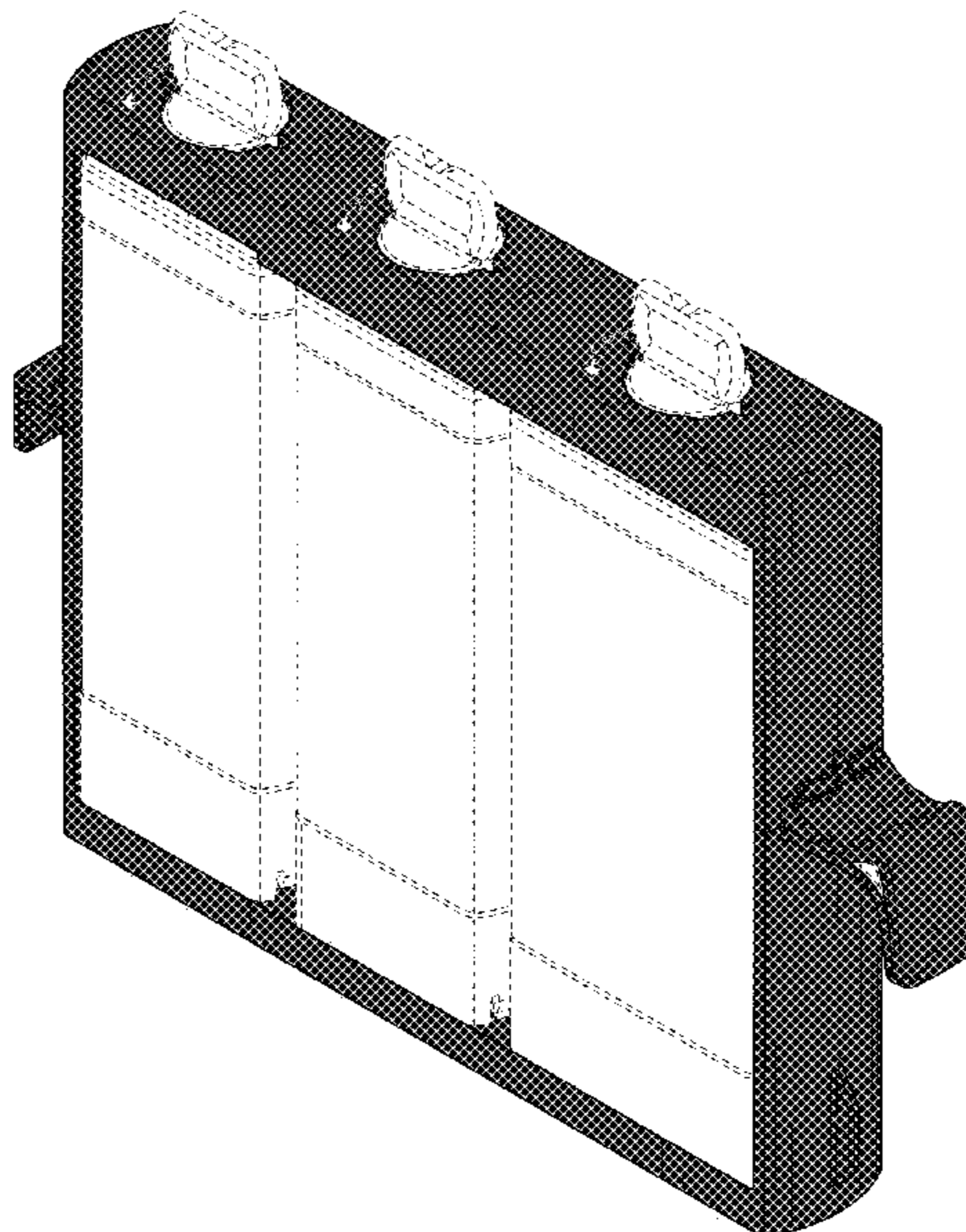
FIG. 5 is a left-side elevation view thereof;

FIG. 6 is a top plan view thereof; and,

FIG. 7 is a bottom plan view thereof.

The broken lines in the drawings illustrate portions of the reagent kit with multiple bottles that form no part of the claimed design.

**1 Claim, 4 Drawing Sheets**  
**(4 of 4 Drawing Sheet(s) Filed in Color)**



(56)

References Cited

U.S. PATENT DOCUMENTS

5,324,481 A \* 6/1994 Dunn ..... B01L 9/06  
422/547  
D355,260 S \* 2/1995 Tomasso ..... D9/517  
5,417,922 A \* 5/1995 Markin ..... B01L 9/06  
422/562  
D365,153 S \* 12/1995 Robertson, Jr. .... D24/224  
5,578,272 A \* 11/1996 Koch ..... B01L 3/50825  
422/566  
D404,831 S \* 1/1999 Yamazaki ..... D24/224  
D411,014 S \* 6/1999 Berger ..... D24/223  
6,066,300 A \* 5/2000 Carey ..... B01F 13/0016  
206/443  
D433,149 S \* 10/2000 Fassbind ..... D24/121  
6,190,617 B1 \* 2/2001 Clark ..... B01F 11/0022  
422/566  
6,190,619 B1 \* 2/2001 Kilcoin ..... B01J 19/0046  
422/540  
6,511,634 B1 \* 1/2003 Bradshaw ..... B01F 13/002  
422/547

6,517,783 B2 \* 2/2003 Horner ..... B01L 9/06  
422/63  
D482,454 S \* 11/2003 Gebrian ..... D24/226  
6,866,820 B1 \* 3/2005 Otto ..... B65D 47/00  
215/235  
D620,603 S \* 7/2010 Talmer ..... D24/224  
D630,765 S \* 1/2011 Winkenbach ..... D24/224  
D632,402 S \* 2/2011 Sattler ..... D24/224  
D637,731 S \* 5/2011 Sattler ..... D24/224  
D645,973 S \* 9/2011 Hoenes ..... D24/224  
D665,095 S \* 8/2012 Wilson ..... D24/227  
D666,736 S \* 9/2012 Kobayashi ..... D24/224  
D672,881 S \* 12/2012 Kraihanzel ..... D24/224  
D696,419 S \* 12/2013 Fusellier ..... D24/230  
2002/0169518 A1 \* 11/2002 Luoma, II ..... B01L 9/00  
700/218  
2004/0005714 A1 \* 1/2004 Safar ..... B01L 3/0234  
422/63  
2007/0166193 A1 \* 7/2007 Veen ..... G01N 35/00  
422/400  
2008/0056948 A1 \* 3/2008 Dale ..... B01F 5/0647  
422/68.1

\* cited by examiner

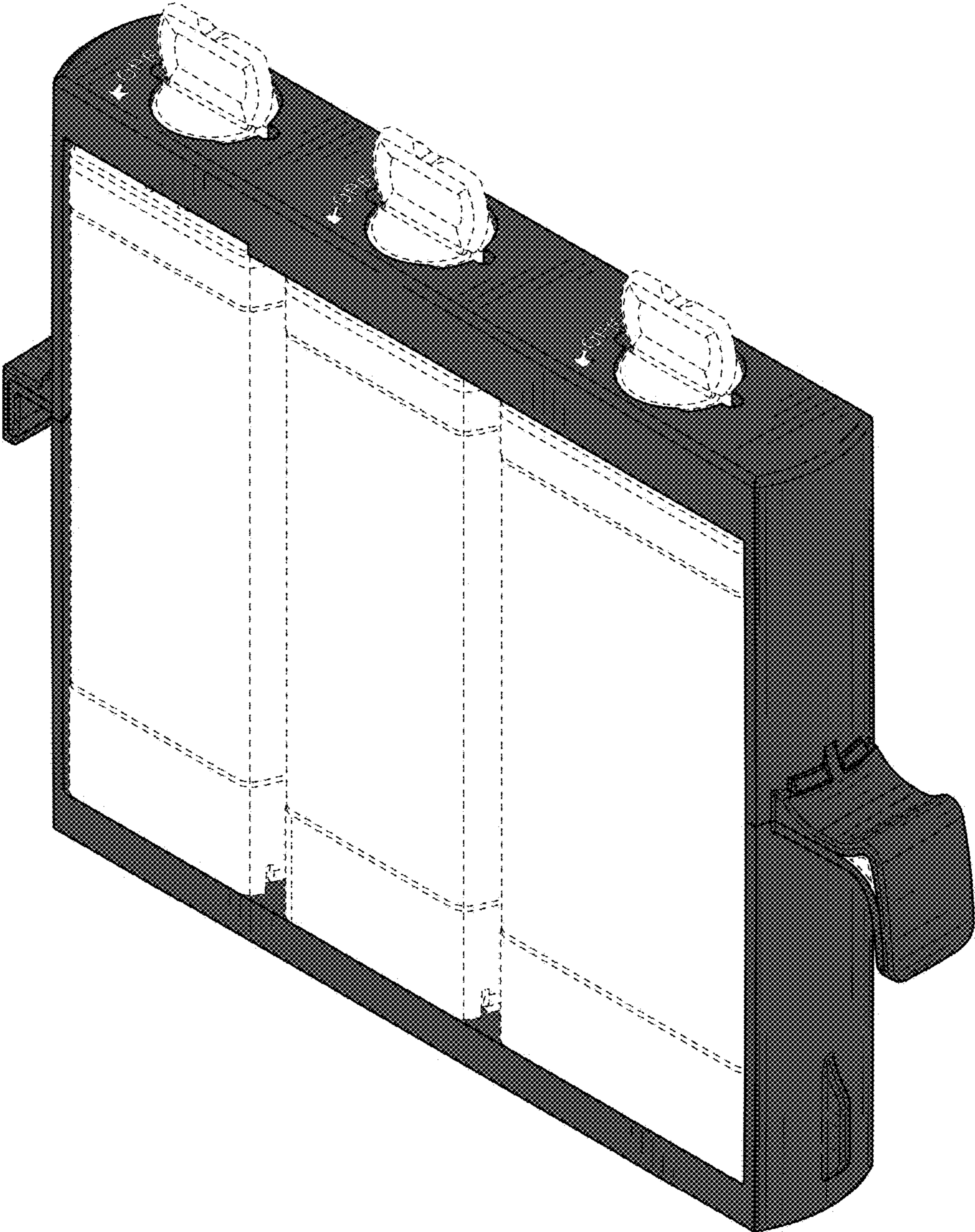


FIG. 1

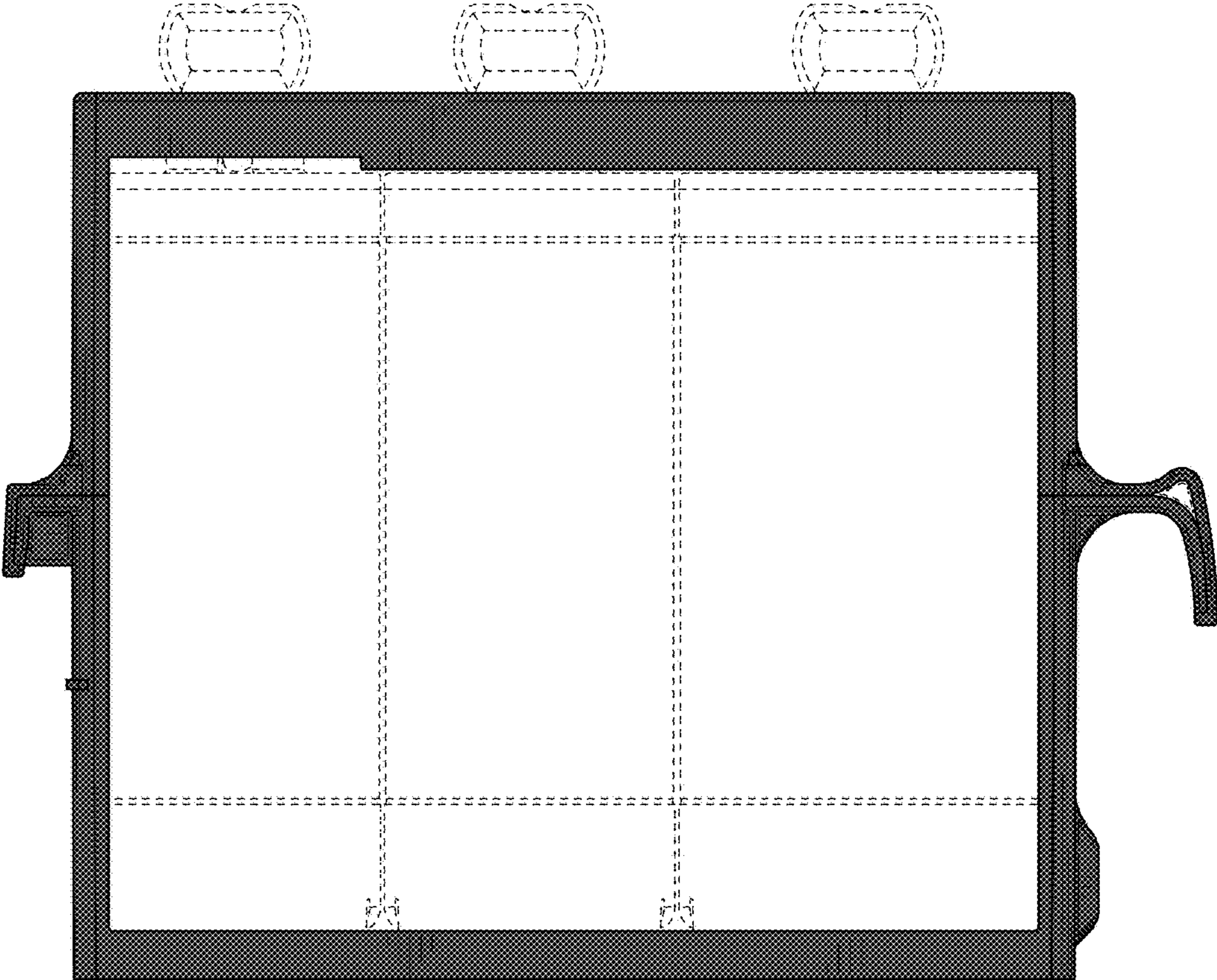


FIG. 2

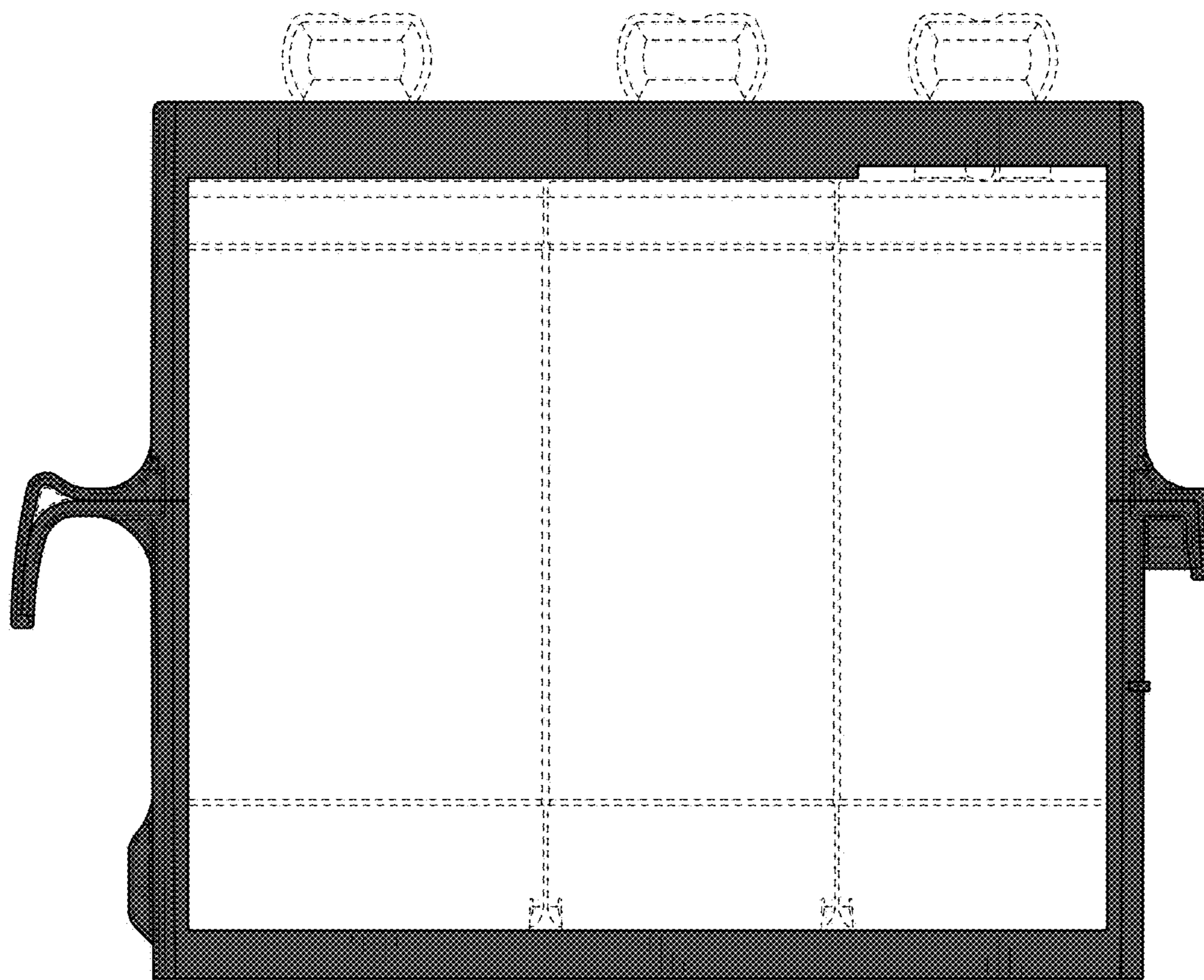


FIG. 3

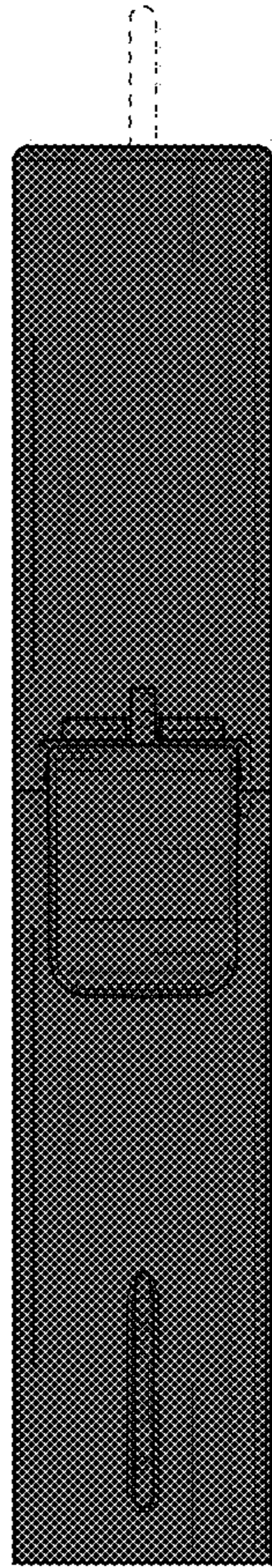


FIG. 4

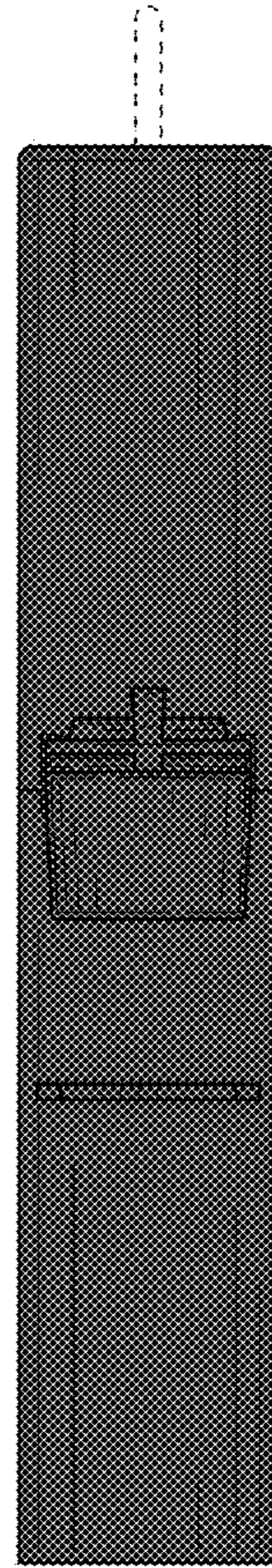


FIG. 5

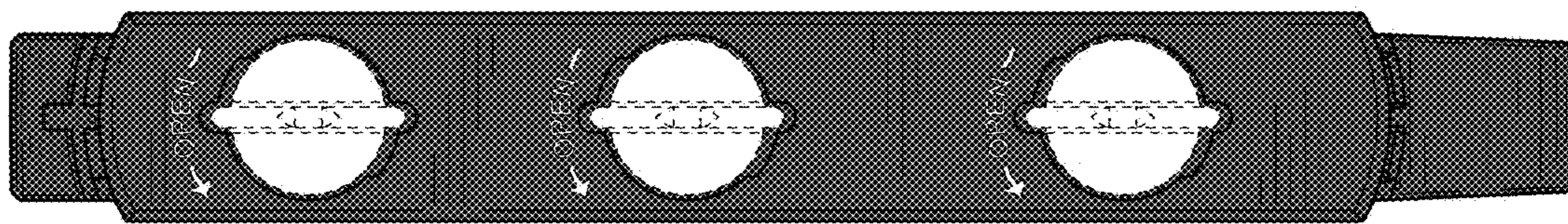


FIG. 6

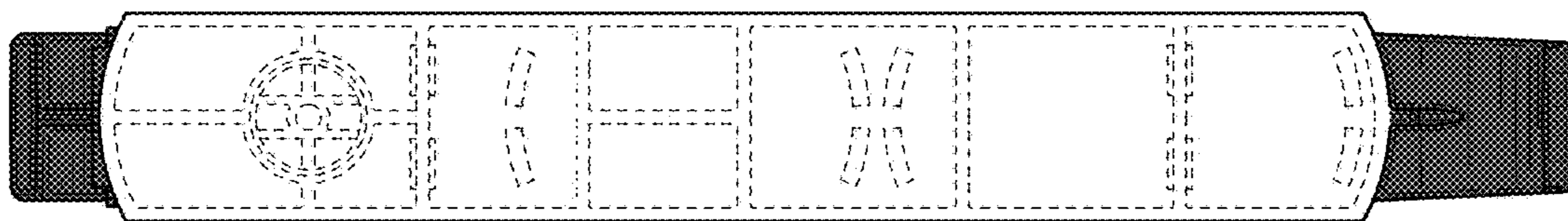


FIG. 7