



US00D782059S

(12) **United States Design Patent**
Osada

(10) **Patent No.:** **US D782,059 S**
(45) **Date of Patent:** **** Mar. 21, 2017**

- (54) **MIXING SCREW FOR DENTAL IMPRESSION MATERIAL**
- (71) Applicant: **3M INNOVATIVE PROPERTIES COMPANY**, St. Paul, MN (US)
- (72) Inventor: **Takekazu Osada**, Tokyo (JP)
- (73) Assignee: **3M Innovative Properties Company**, St. Paul, MN (US)
- (**) Term: **15 Years**
- (21) Appl. No.: **29/528,208**
- (22) Filed: **May 27, 2015**
- (30) **Foreign Application Priority Data**
Nov. 28, 2014 (JP) 2014-026727
- (51) **LOC (10) Cl.** **24-00**
- (52) **U.S. Cl.**
USPC **D24/220**
- (58) **Field of Classification Search**
USPC D24/220, 130; D15/138; 366/155.1, 366/172.1, 307; 222/145.6, 137
CPC B01F 5/0615; B01F 7/00141; B01F 7/00125; B01F 15/0201; B01F 5/0619; A61C 9/0026; A61C 5/064
See application file for complete search history.

- D472,323 S * 3/2003 Sand D24/220
- D483,495 S * 12/2003 Sand D24/220
- 7,320,541 B2 * 1/2008 Wagner B01F 7/00141
222/145.6
- D571,479 S 6/2008 Wagner
- D571,927 S 6/2008 Wagner
- D606,663 S * 12/2009 Tien D24/220
- D607,476 S * 1/2010 Saul D15/138
- D617,001 S * 6/2010 Lee D24/220
- 7,731,413 B2 * 6/2010 Busin B01F 5/0619
222/145.6
- 7,771,110 B2 * 8/2010 Wang B01F 5/0615
366/155.1
- D691,281 S 10/2013 Walter et al.
- D693,940 S 11/2013 Walter et al.

(Continued)

FOREIGN PATENT DOCUMENTS

- CA 153793 6/2014
- DE 4235736 3/1994

(Continued)

Primary Examiner — Rhea Shields

(57) **CLAIM**

The ornamental design for a mixing screw for dental impression material, as shown and described.

DESCRIPTION

FIG. 1 is a perspective view of a mixing screw showing the new design for a mixing screw for dental impression material.

FIG. 2 is another perspective view thereof;

FIG. 3 is a front view thereof;

FIG. 4 is a rear view thereof;

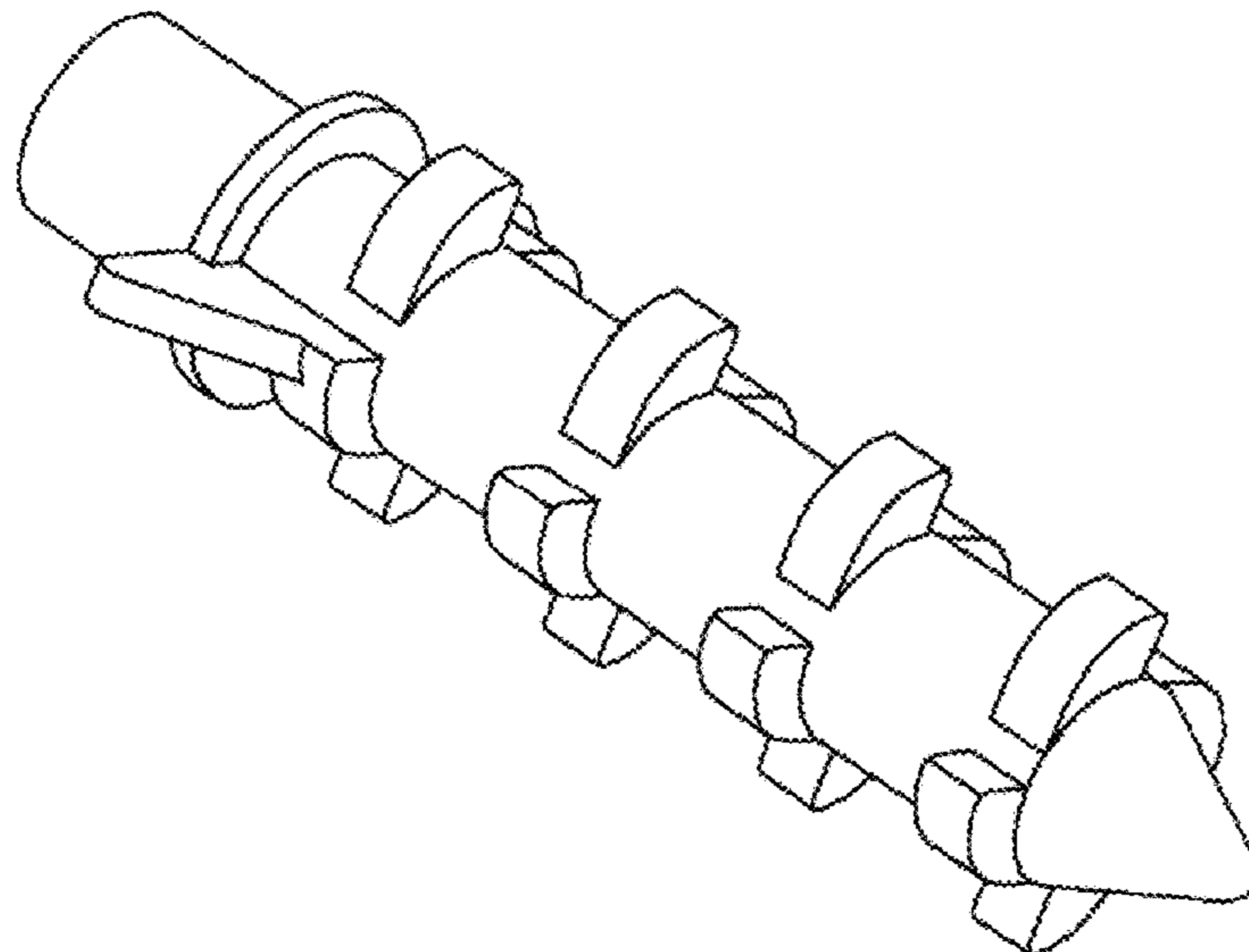
FIG. 5 is a right side view thereof;

FIG. 6 is a left side view thereof;

FIG. 7 is a top view thereof; and,

FIG. 8 is a bottom view thereof.

1 Claim, 2 Drawing Sheets



(56)

References Cited

U.S. PATENT DOCUMENTS

D695,905	S	12/2013	Walter et al.	
D696,416	S	12/2013	Walter et al.	
D696,787	S	12/2013	Walter et al.	
D722,160	S *	2/2015	Armstrong	D24/130
9,301,819	B2 *	4/2016	Jung	A61C 9/0026
2001/0005338	A1 *	6/2001	Muhlbauer	A61C 5/064
				366/307
2003/0137898	A1 *	7/2003	Wagner	B01F 7/00125
				366/172.1
2004/0085854	A1 *	5/2004	Pauser	B01F 15/0201
				366/172.1

FOREIGN PATENT DOCUMENTS

EP	1550829	7/2005
JP	2000-116675	4/2000
JP	1501511 S	5/2014
WO	WO 2011/031440	3/2011

* cited by examiner

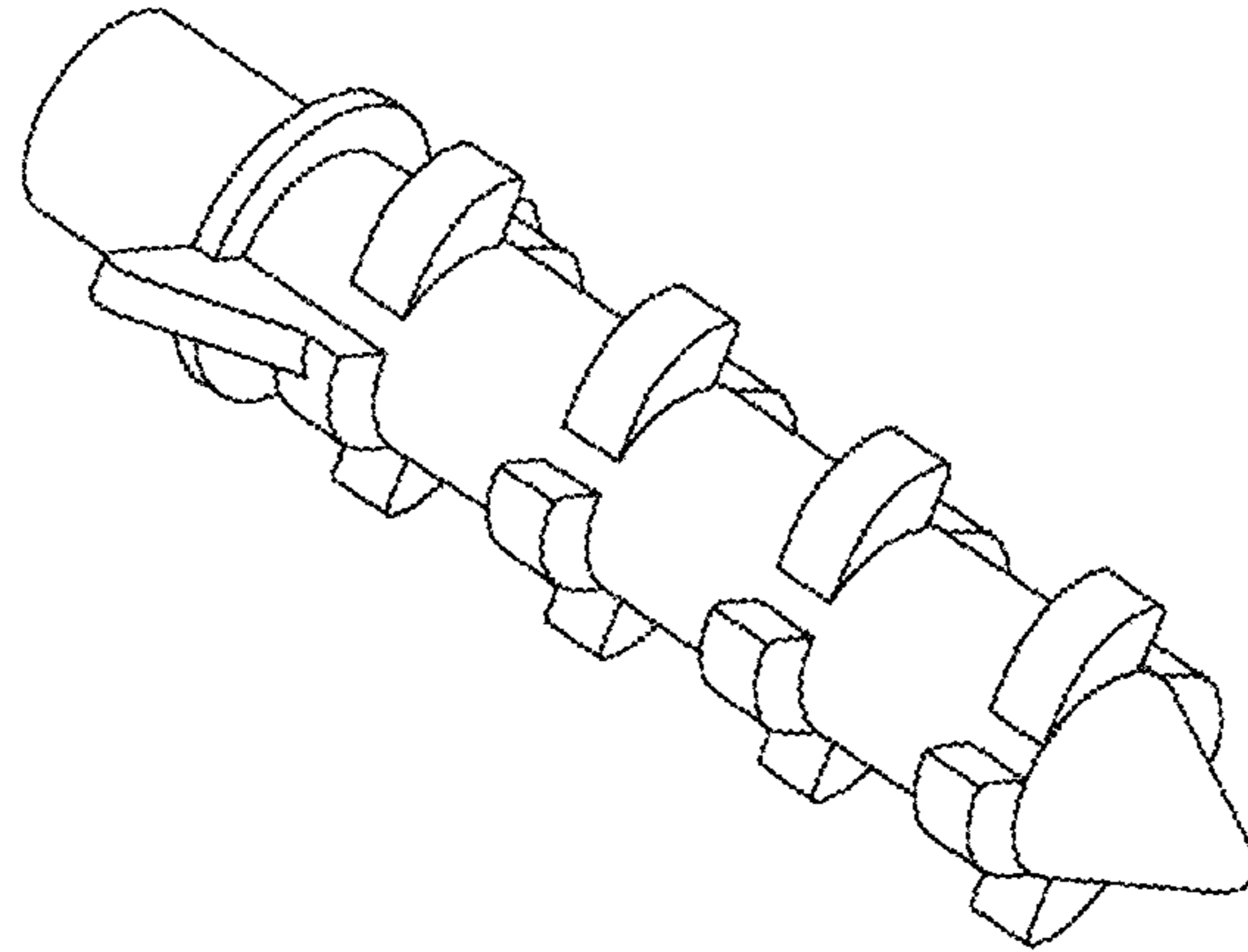


FIG. 1

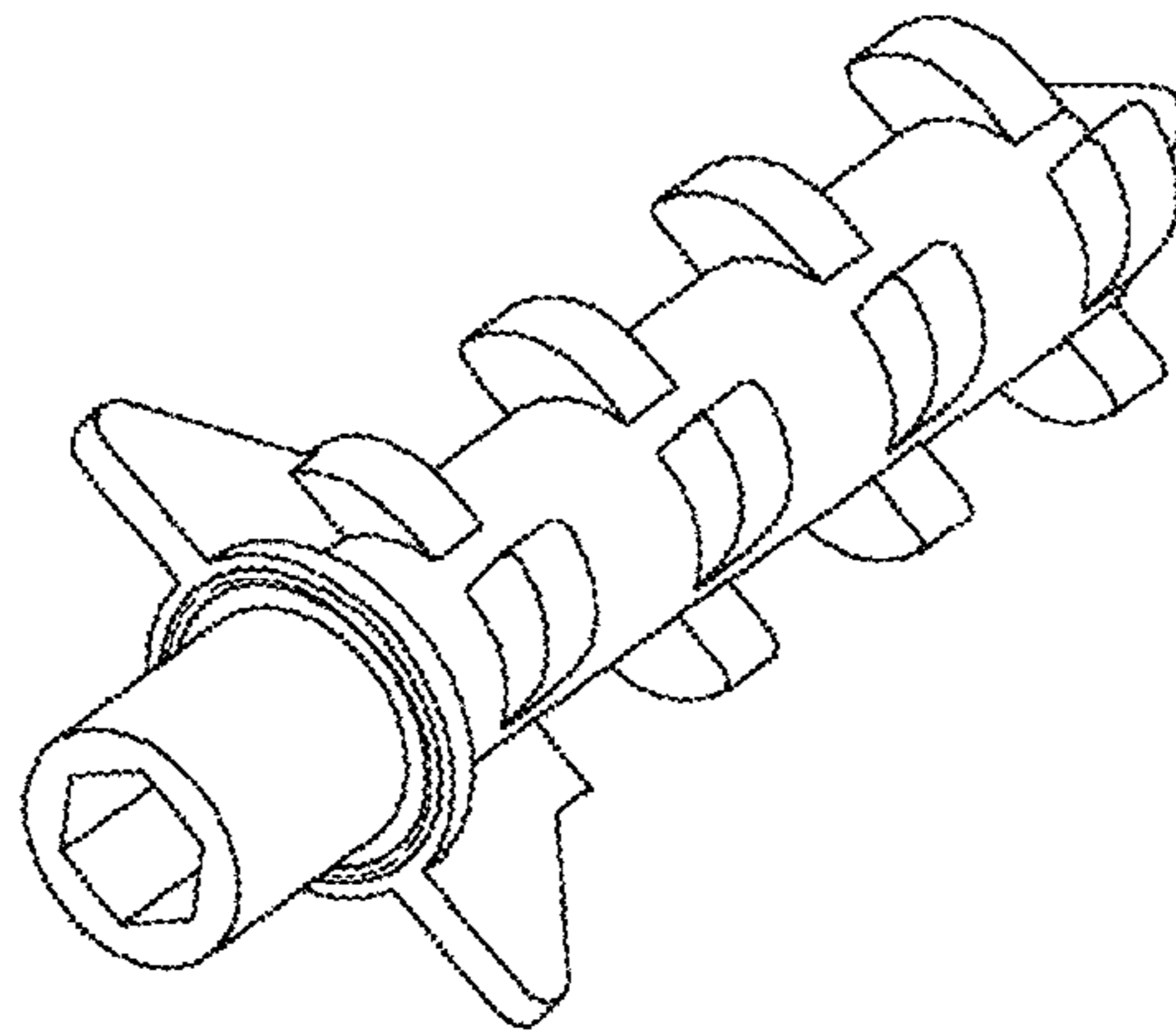


FIG. 2

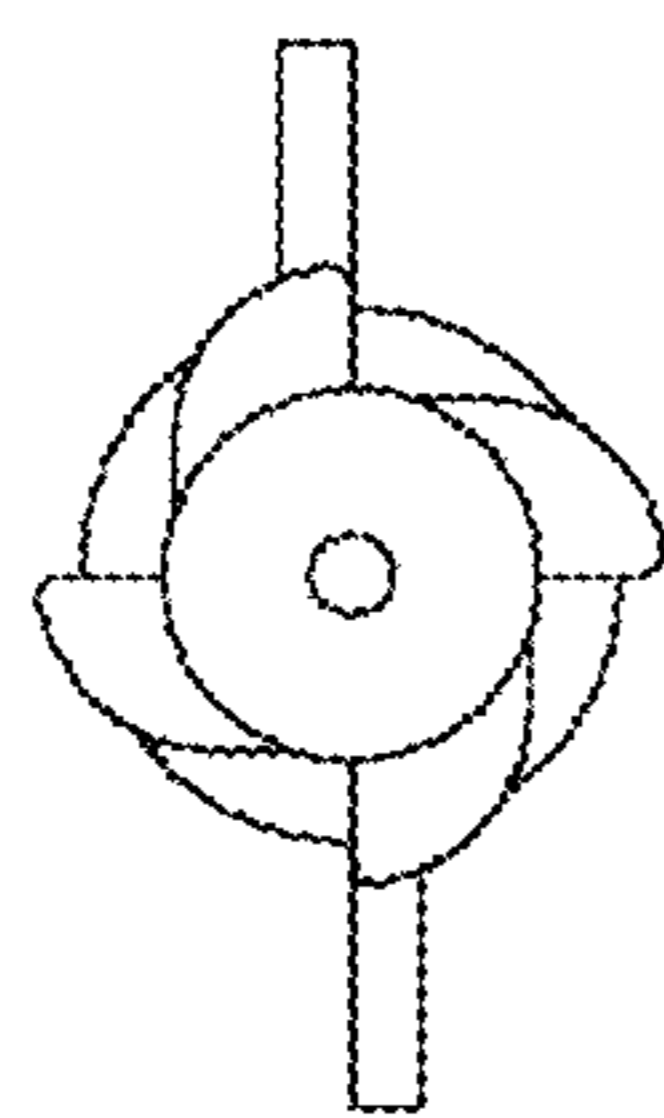


FIG. 3

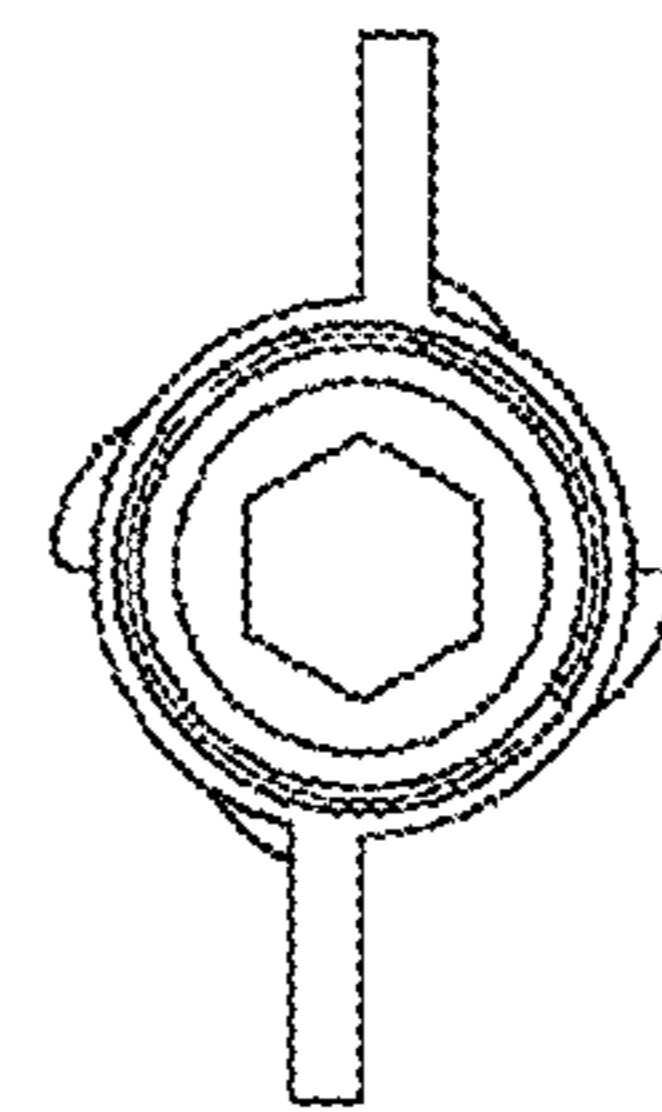


FIG. 4

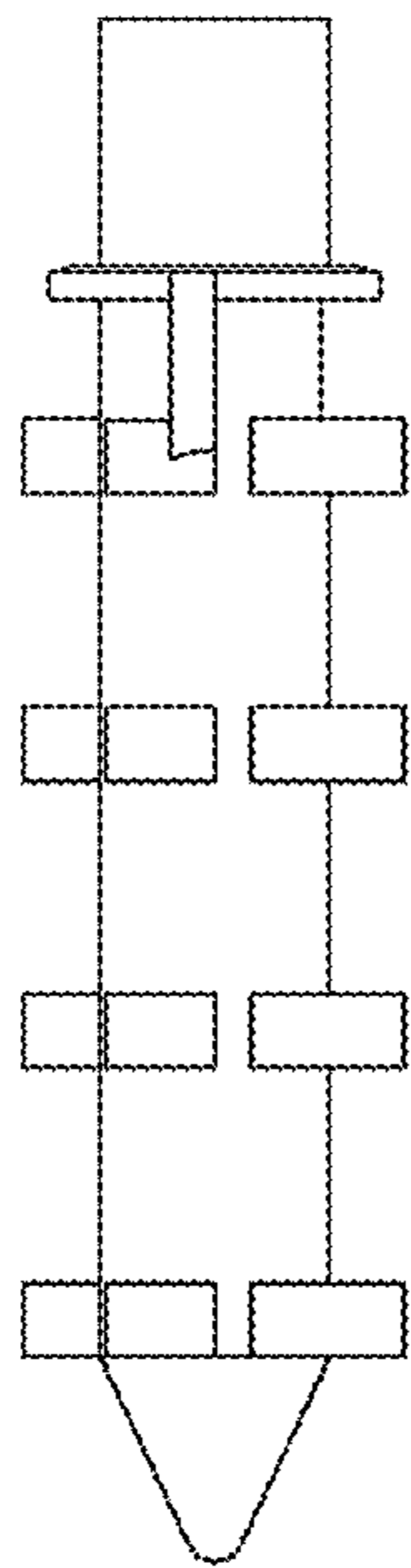


FIG. 5

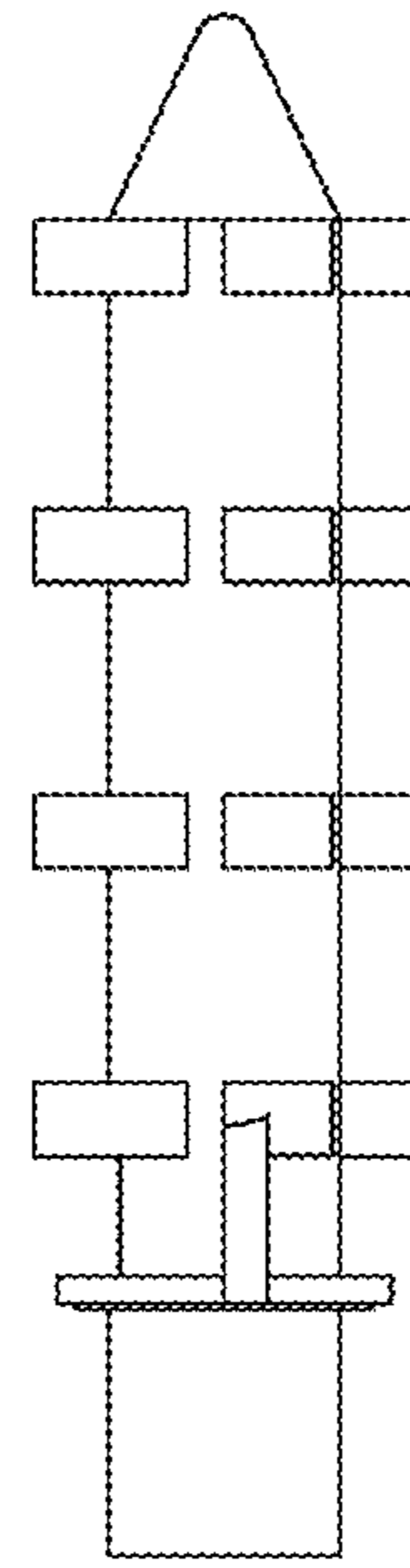


FIG. 6

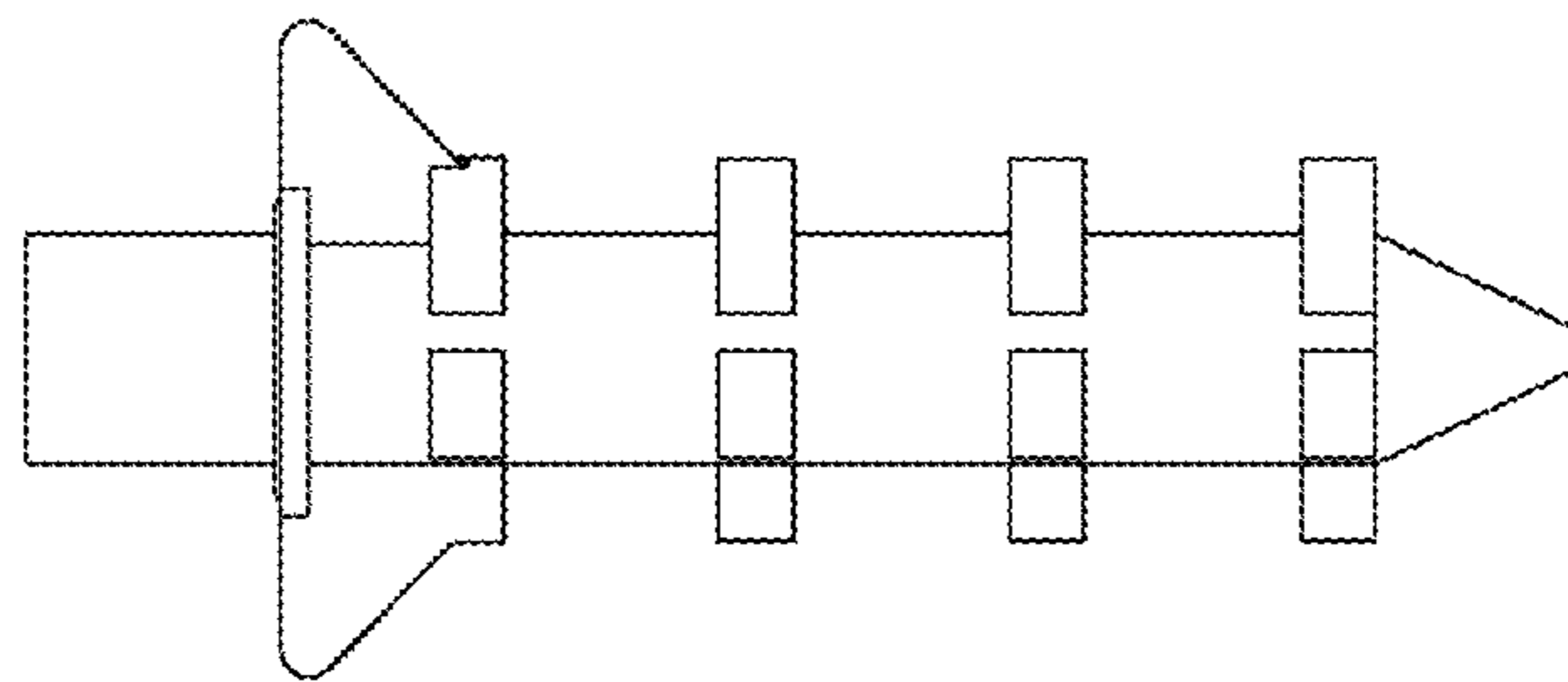


FIG. 7

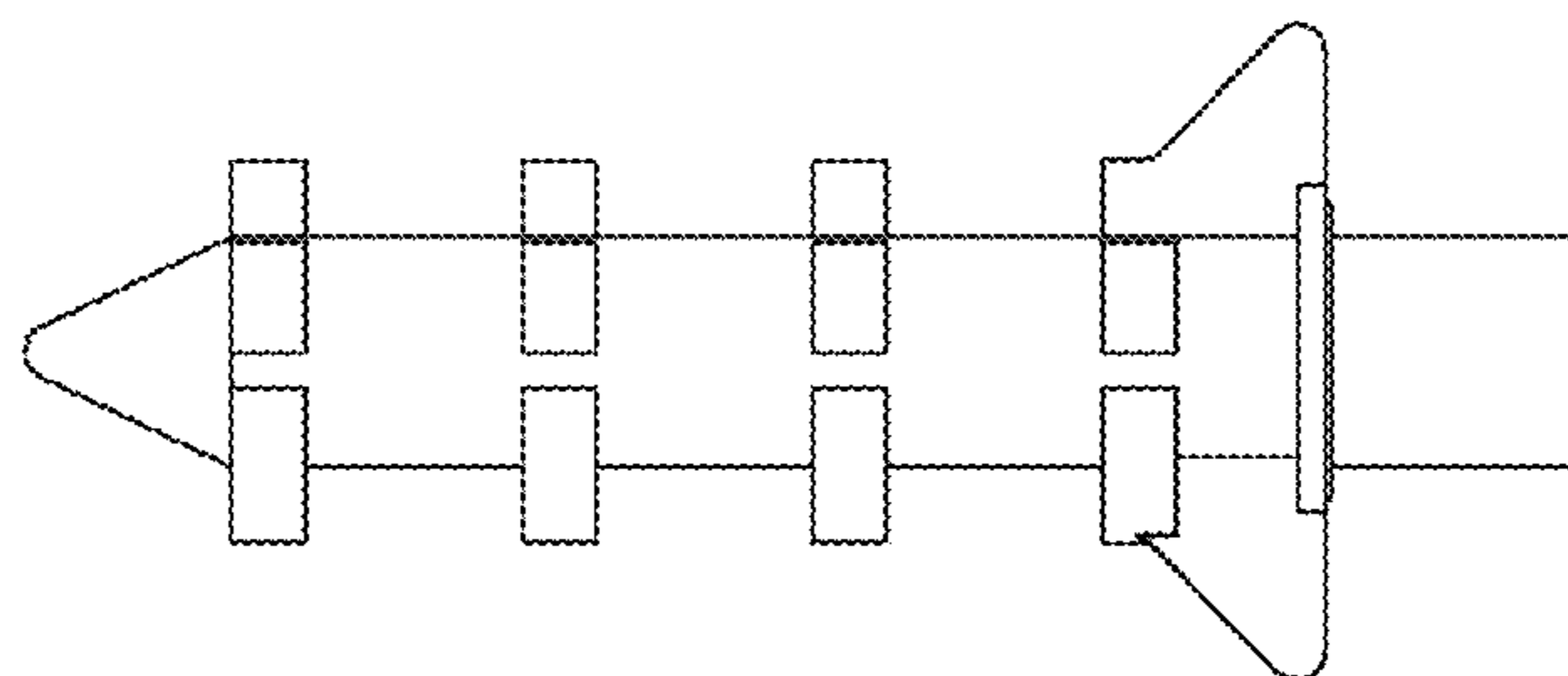


FIG. 8