



US00D782058S

(12) **United States Design Patent**  
**Wan et al.**

(10) **Patent No.:** **US D782,058 S**

(45) **Date of Patent:** **\*\* Mar. 21, 2017**

(54) **FECAL OCCULT BLOOD DETECTOR**

(56)

**References Cited**

(71) Applicant: **W.H.P.M. BIORESEARCH AND TECHNOLOGY CO., LTD.**, Beijing (CN)

(72) Inventors: **John Wan**, Beijing (CN); **Zhejiang Li**, Beijing (CN); **Qingwei Shen**, Beijing (CN)

(73) Assignee: **W.H.P.M. BIORESEARCH AND TECHNOLOGY CO., LTD.**, Beijing (CN)

(\*\*) Term: **15 Years**

(21) Appl. No.: **29/562,599**

(22) Filed: **Apr. 27, 2016**

(30) **Foreign Application Priority Data**

Oct. 30, 2015 (CN) ..... 2015 3 0424970

(51) **LOC (10) Cl.** ..... **24-01**

(52) **U.S. Cl.**  
USPC ..... **D24/216**

(58) **Field of Classification Search**  
USPC ..... D24/216-219, 231, 232, 233, 107, 169, D24/186; D10/81  
CPC ..... G01N 2035/00306; G01N 2035/00326; G01N 2035/00336; G01N 33/53; G01N 33/5302; G01N 33/569; C12Q 1/686; B01L 7/52

See application file for complete search history.

U.S. PATENT DOCUMENTS

D537,951 S *	3/2007	Okamoto	.....	D24/233
D599,234 S *	9/2009	Ito	.....	D10/81
D638,952 S *	5/2011	Oonuma	.....	D24/216
D655,822 S *	3/2012	Oonuma	.....	D24/216
D670,402 S *	11/2012	Shibata	.....	D24/216
D707,844 S *	6/2014	Hilbey	.....	D24/216
D735,878 S *	8/2015	Chang	.....	D24/216
2008/0002178 A1 *	1/2008	Ogawa	.....	G01N 35/00029 356/39
2015/0143924 A1 *	5/2015	Kang	.....	G01N 35/00029 73/862.381

\* cited by examiner

*Primary Examiner* — Anhdao Doan

(74) *Attorney, Agent, or Firm* — Scully Scott Murphy & Presser

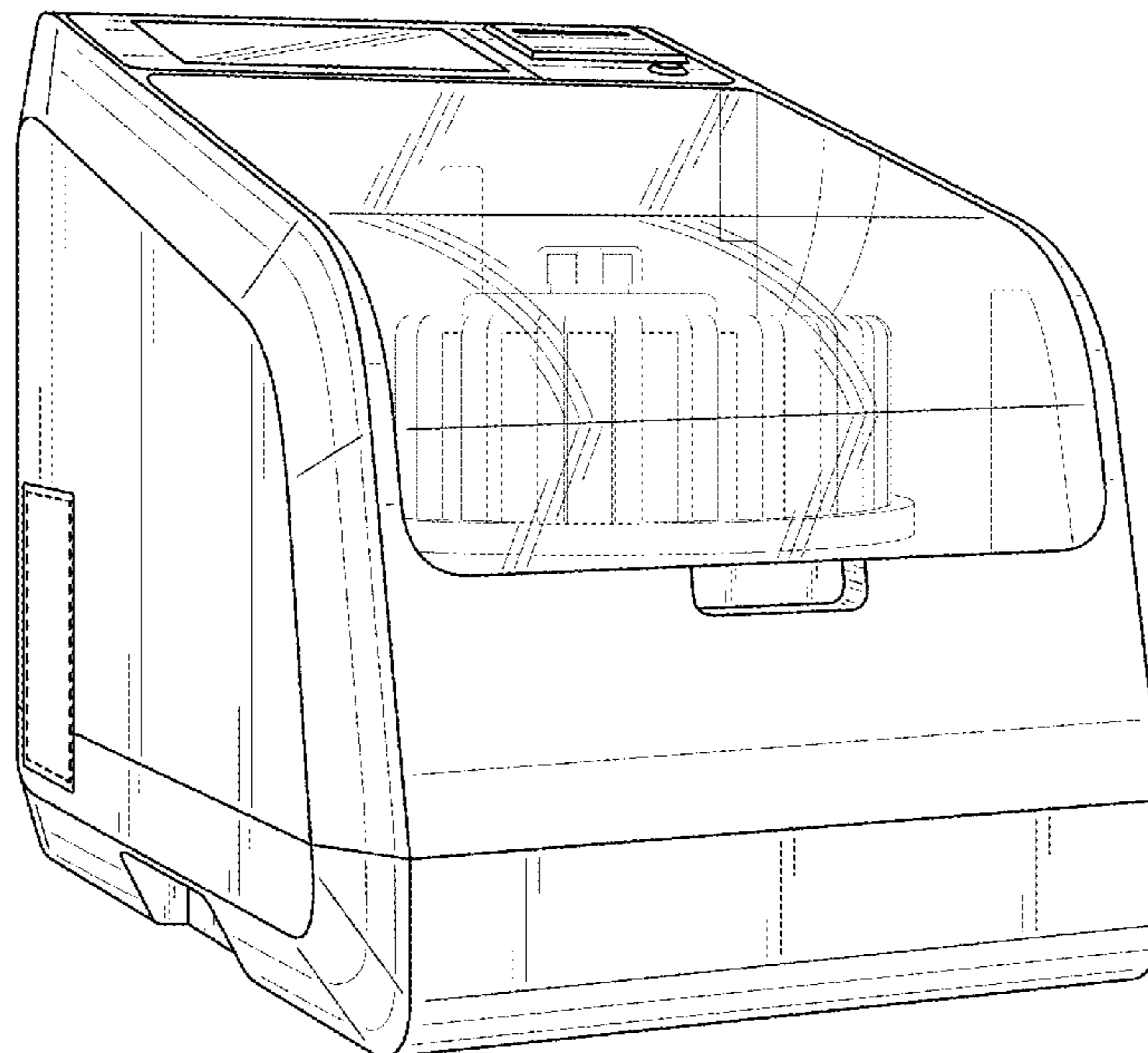
(57) **CLAIM**

The ornamental design for a fecal occult blood detector, as shown and described.

**DESCRIPTION**

FIG. 1 is a perspective view of a fecal occult blood detector, showing our new design;  
FIG. 2 is a front view thereof;  
FIG. 3 is a rear view thereof;  
FIG. 4 is a left side elevation view thereof;  
FIG. 5 is a right side elevation view thereof;  
FIG. 6 is a top view thereof; and,  
FIG. 7 is a bottom view thereof.  
The broken lines depict portions of the fecal occult blood detector that form no part of the claimed design.

**1 Claim, 7 Drawing Sheets**



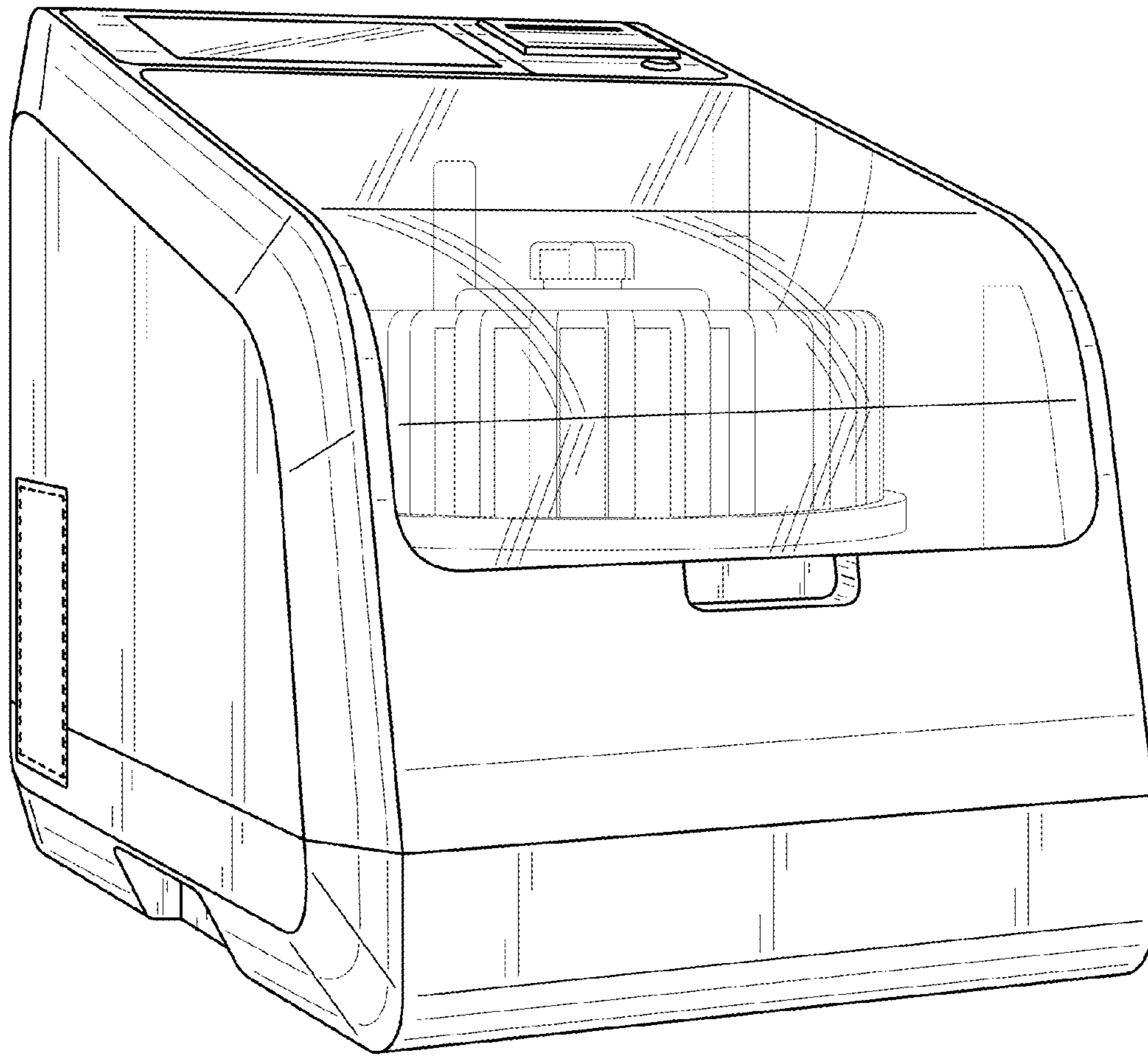


FIG. 1

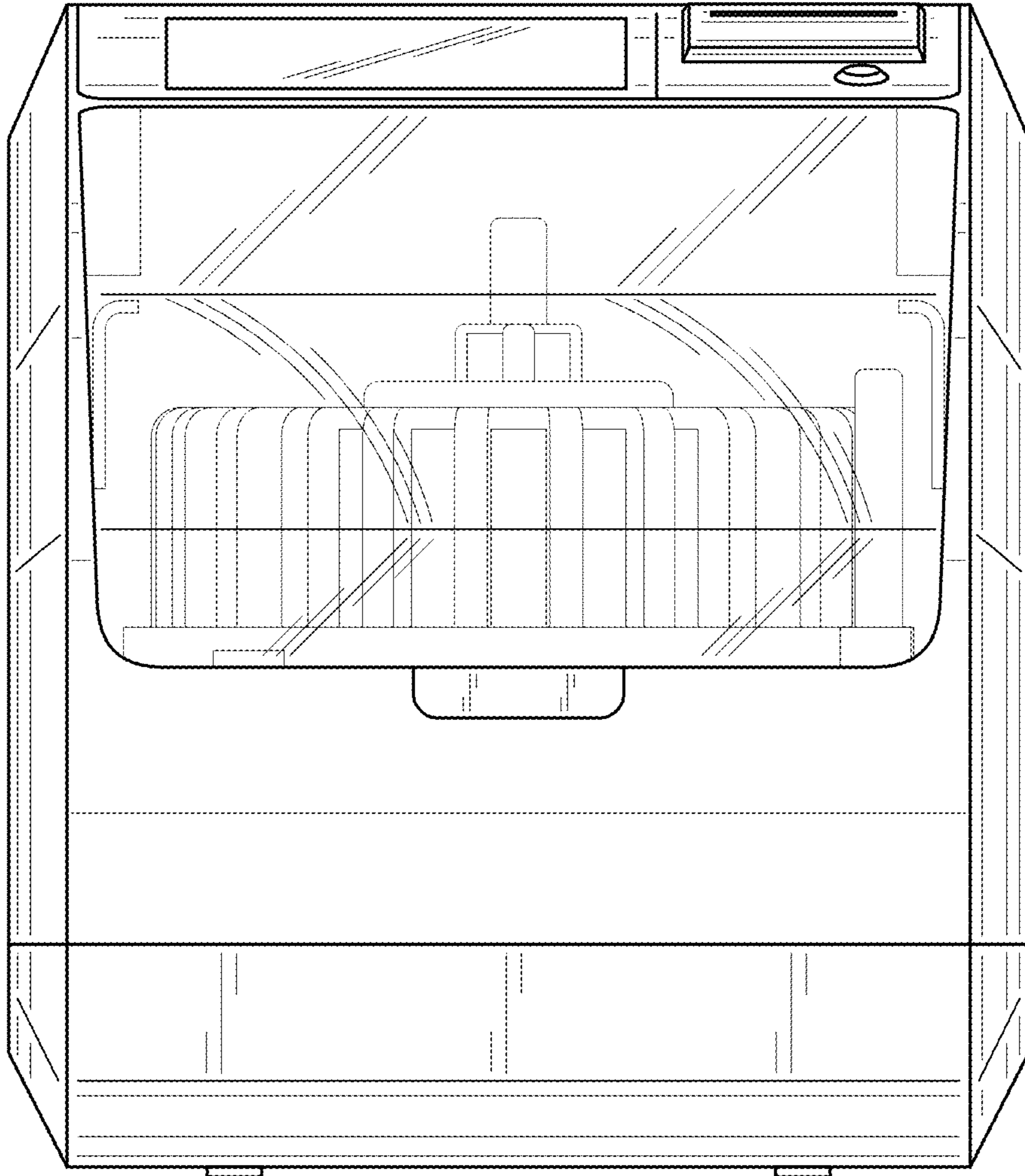


FIG. 2

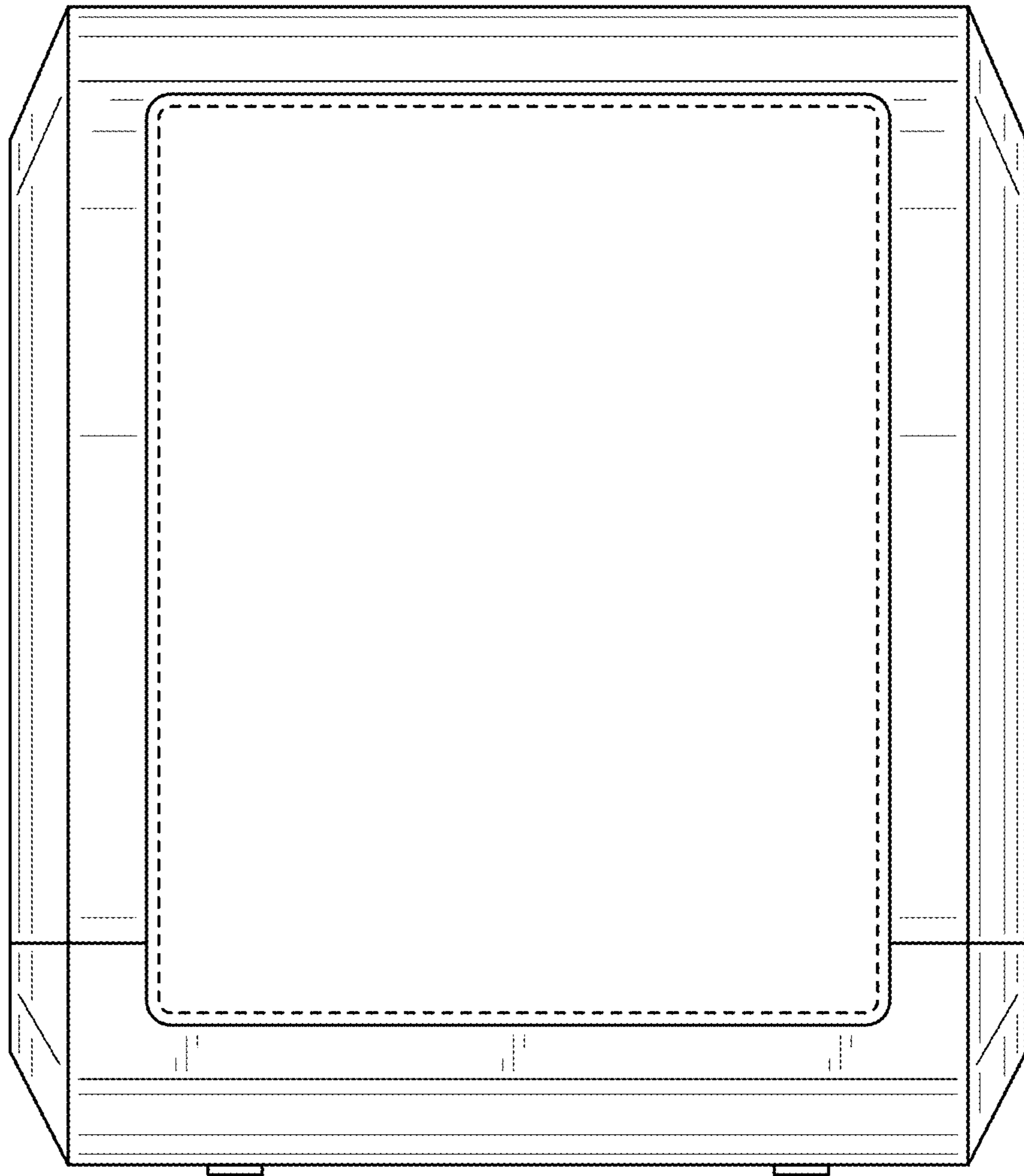


FIG. 3

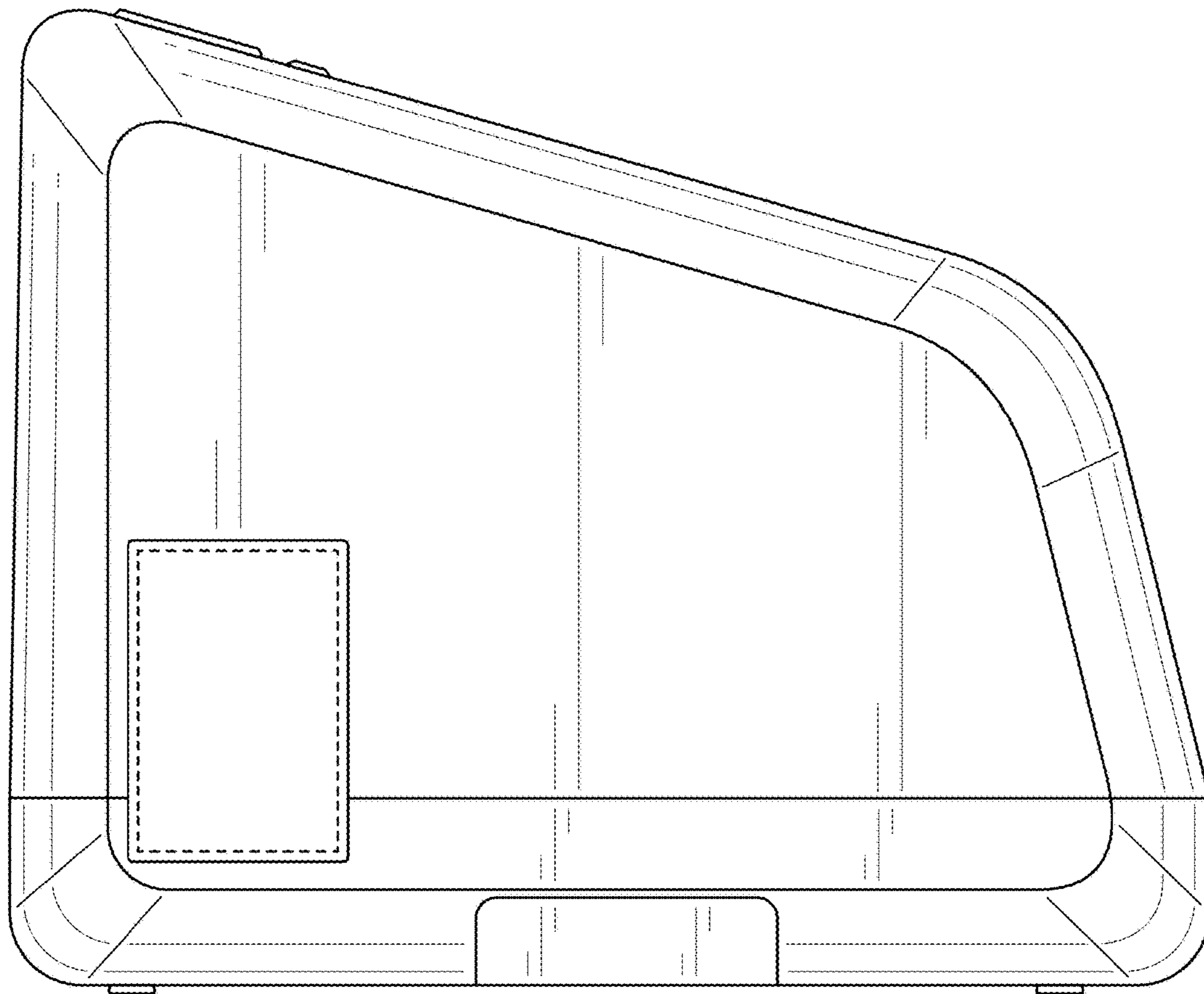


FIG. 4



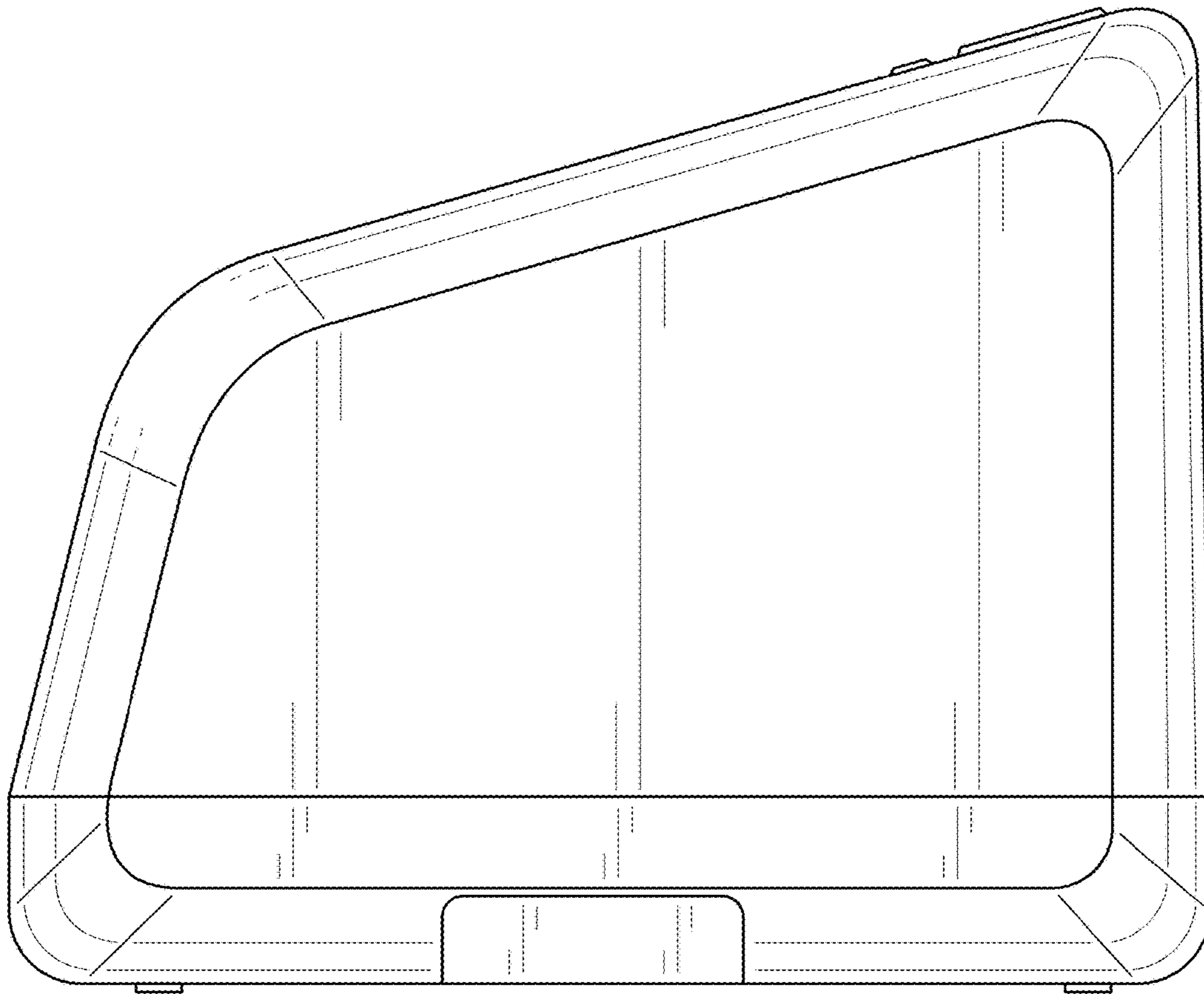


FIG. 5

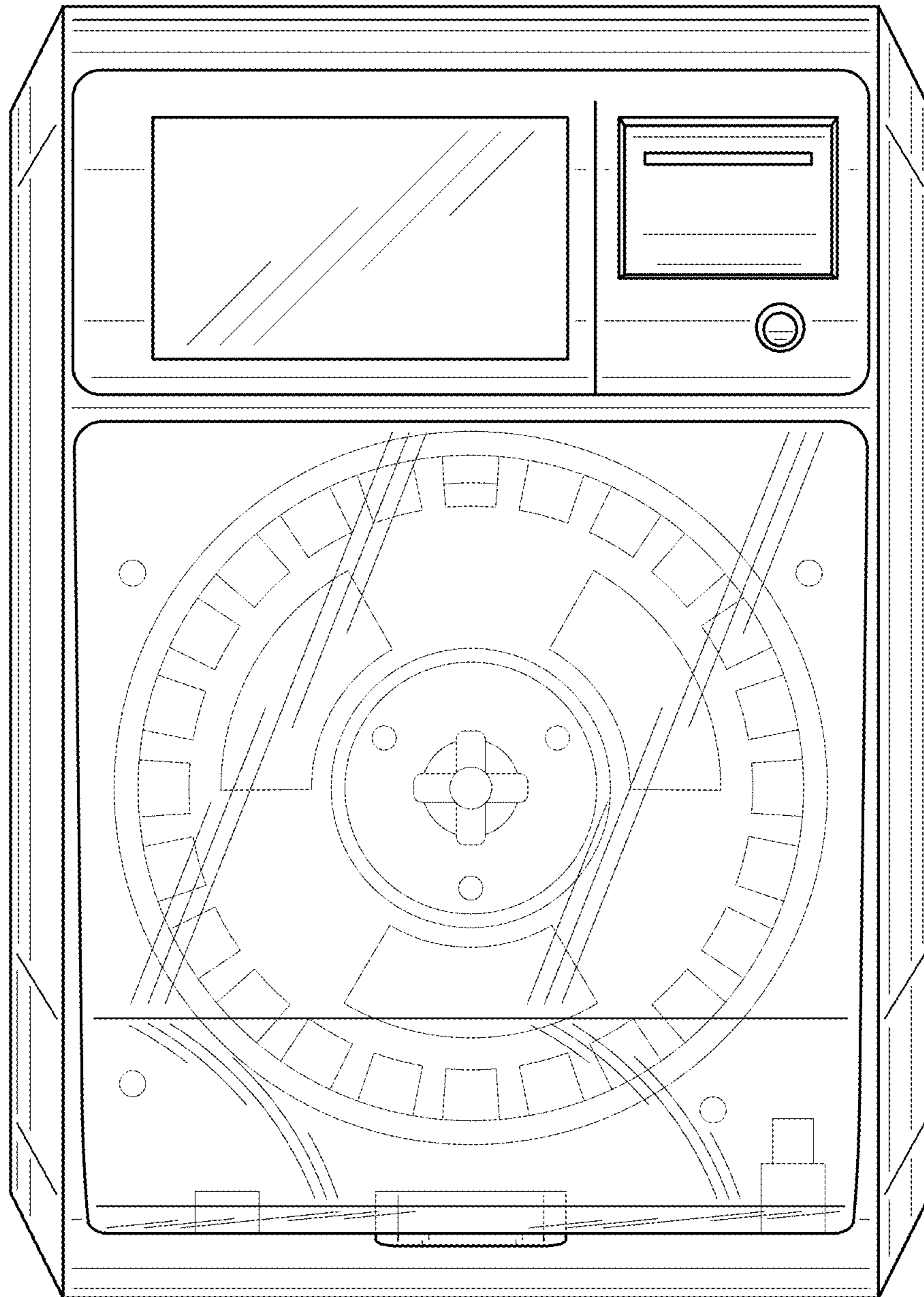


FIG. 6

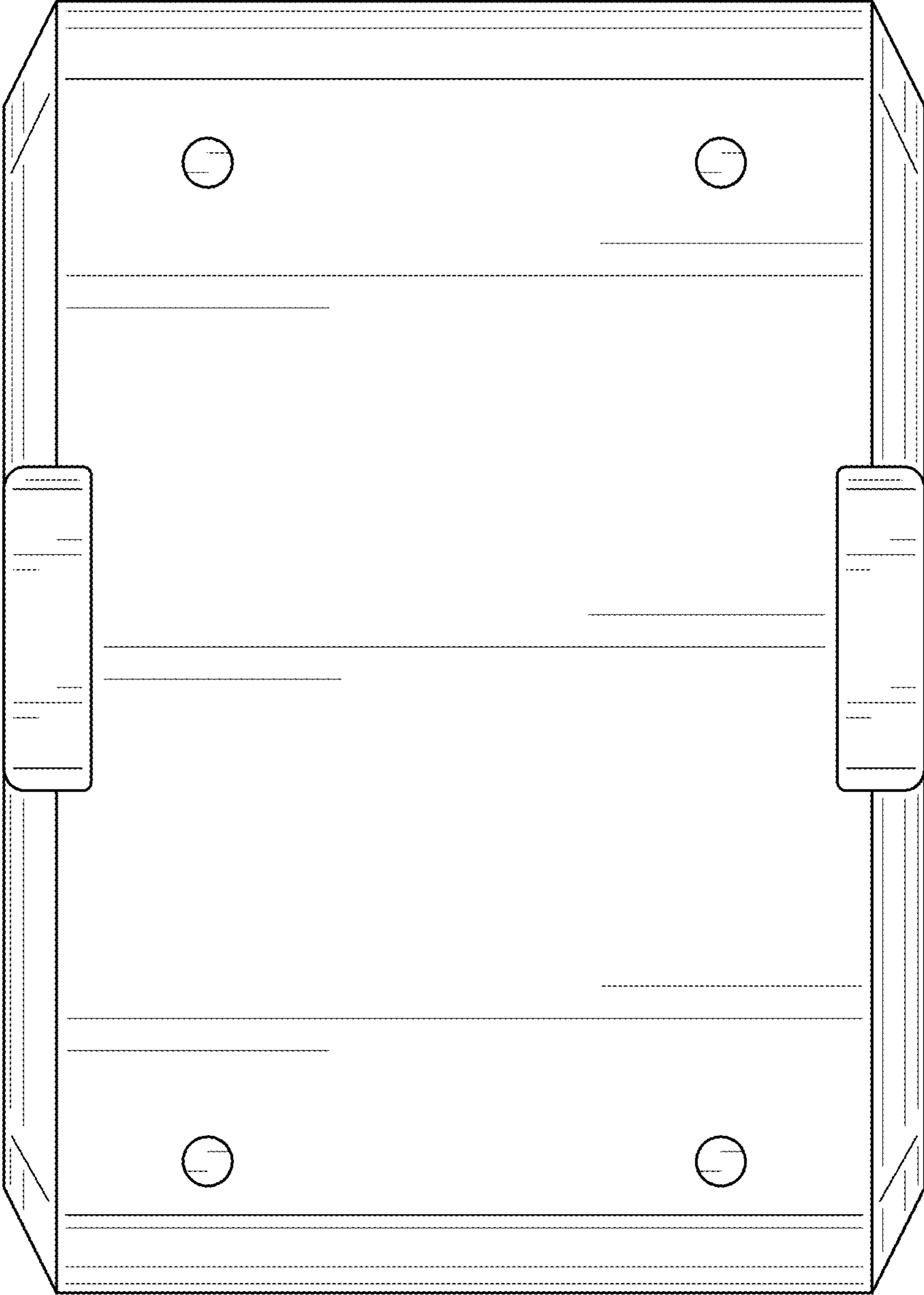


FIG. 7