



US00D782052S

(12) **United States Design Patent** (10) **Patent No.:** **US D782,052 S**
Ferguson-Shakir (45) **Date of Patent:** **** Mar. 21, 2017**

- (54) **DIAGNOSTIC WRIST BAND**
- (71) Applicant: **Rhonda Ferguson-Shakir**, Lithonia, GA (US)
- (72) Inventor: **Rhonda Ferguson-Shakir**, Lithonia, GA (US)
- (**) Term: **15 Years**
- (21) Appl. No.: **29/550,521**
- (22) Filed: **Jan. 5, 2016**
- (51) **LOC (10) Cl.** **24-01**
- (52) **U.S. Cl.**
USPC **D24/186**
- (58) **Field of Classification Search**
USPC D24/185-187, 231, 189, 164; D2/502, D2/858, 623; D11/3-4, 6
CPC A44C 5/00; A44C 5/0007; A44C 5/0015; A44C 5/0053; A44C 5/0084; A61B 5/117; A61B 5/0205; A61B 5/742; A61B 5/0022; A61B 5/1118; A61B 5/746; A61B 5/02055; G09F 3/00; G09F 3/16; G09F 3/005; G09F 3/0286; G09F 2003/0276; G07C 2011/02; G06K 19/07762; G06F 19/3418; G06F 19/3406
See application file for complete search history.

(56) **References Cited**

U.S. PATENT DOCUMENTS

- D203,528 S * 1/1966 Kay D2/858
- 3,715,570 A 2/1973 Weichselbaum
- 3,773,036 A * 11/1973 Weyer A61B 5/02233
600/499
- 3,848,112 A 11/1974 Weichselbaum
- 3,965,589 A 6/1976 McDermott
- 4,122,947 A 10/1978 Falla
- 4,476,381 A 10/1984 Rubin
- 4,783,917 A 11/1988 Smith

4,838,276 A * 6/1989 Nagai A61B 5/02233
600/499

4,926,885 A 5/1990 Hinkle
5,026,084 A 6/1991 Pasfield
(Continued)

FOREIGN PATENT DOCUMENTS

JP 10234926 A * 9/1998

OTHER PUBLICATIONS

Posey Economy Limb Holders, posted at Vitalitymedical.com, no posting date given, © 2015, site visited Nov. 1, 2016, <<http://www.vitalitymedical.com/posey-economy-limb-holders.html>>.*

(Continued)

Primary Examiner — Barbara Fox
Assistant Examiner — Messina L Smith
(74) *Attorney, Agent, or Firm* — Taylor English Duma LLP

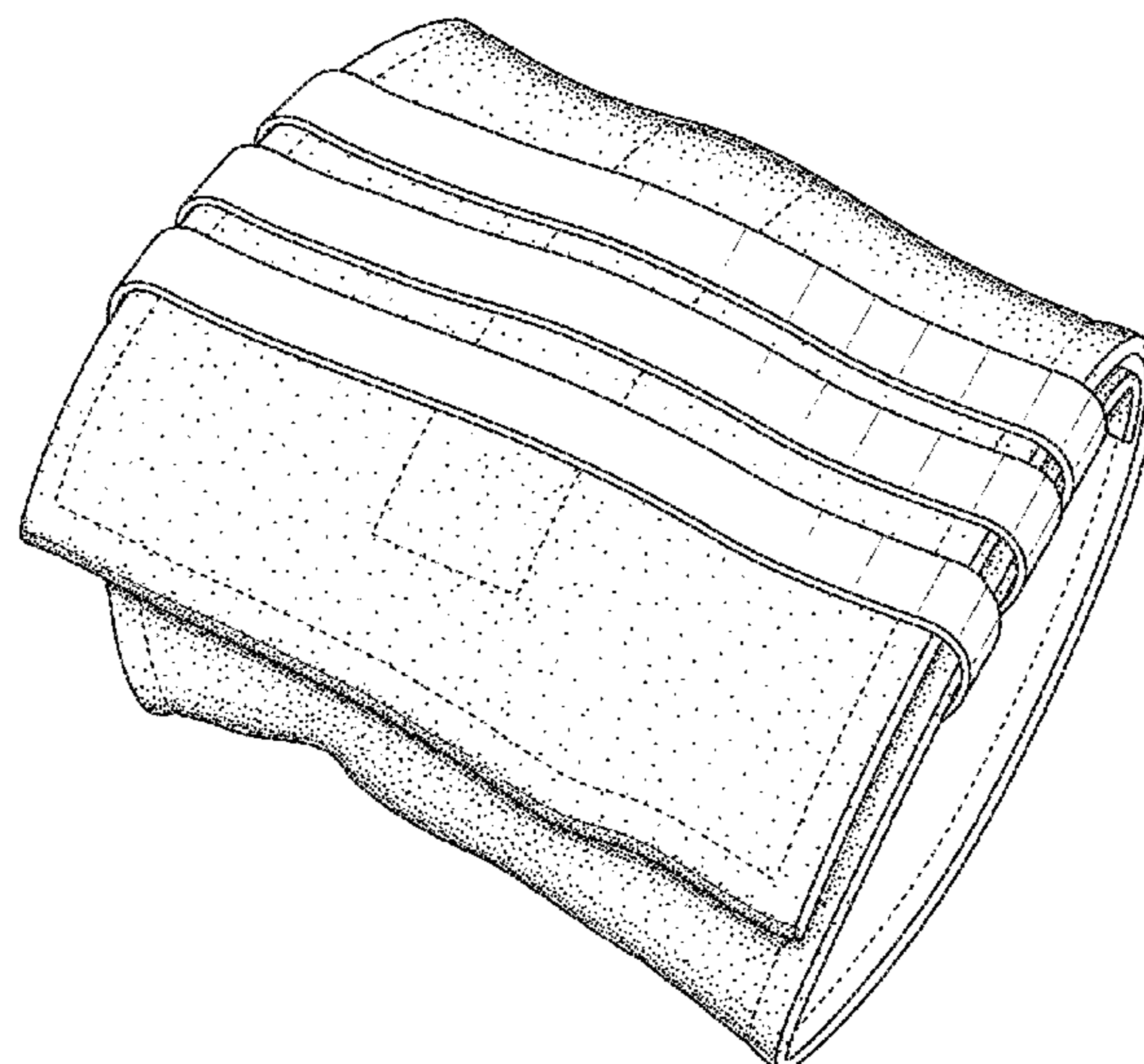
(57) **CLAIM**

I claim the ornamental design for a diagnostic wrist band, as shown and described.

DESCRIPTION

FIG. 1 is a perspective view of a diagnostic wrist band showing my new design.
FIG. 2 is a front elevation view thereof.
FIG. 3 is a rear elevation view thereof.
FIG. 4 is a left-side elevation view thereof.
FIG. 5 is a right-side elevation view thereof.
FIG. 6 is a top plan view thereof.
FIG. 7 is a bottom plan view thereof; and,
FIG. 8 is a perspective view of the diagnostic wrist band shown in an environment of use.
The broken-line showing of the arm in FIG. 8 illustrates environment and forms no part of the claimed design. All other broken lines, including stitching, illustrate portions of the diagnostic wrist band that form no part of the claimed design.

1 Claim, 3 Drawing Sheets



(56)

References Cited

U.S. PATENT DOCUMENTS

5,069,219 A * 12/1991 Knoblich A61B 5/02233
600/492
5,400,936 A * 3/1995 Jones A45C 1/04
224/219
5,479,797 A 1/1996 Peterson
5,573,529 A 11/1996 Haak
5,785,354 A 7/1998 Haas
5,792,299 A 8/1998 Mosher, Jr.
5,883,576 A 3/1999 De La Huerga
5,967,559 A 10/1999 Abramowitz
7,047,682 B2 5/2006 Riley
D551,771 S * 9/2007 Holm A61F 13/58
D24/189
7,631,449 B2 12/2009 McDermott et al.
7,743,540 B2 6/2010 McDermott
7,810,267 B2 10/2010 Saint et al.
8,011,125 B2 9/2011 Riley et al.
8,099,888 B2 1/2012 Riley
8,556,177 B2 10/2013 Hussey
8,662,388 B2 3/2014 Belkin
D714,672 S * 10/2014 Park D11/3
8,942,480 B2 1/2015 Ellis
D749,315 S * 2/2016 Ross D3/215
2002/0084904 A1 7/2002 De La Huerga
2004/0237366 A1 12/2004 Chadwick
2005/0108912 A1 5/2005 Bekker
2005/0116811 A1 * 6/2005 Eros G07C 9/00087
340/5.82
2006/0042139 A1 3/2006 Mendes
2007/0130813 A1 * 6/2007 Stacy A44C 5/003
40/633
2008/0028654 A1 2/2008 Cardon
2008/0216372 A1 9/2008 Lee
2009/0090688 A1 4/2009 Fruchter
2009/0205234 A1 8/2009 Hammerslag
2009/0206117 A1 * 8/2009 Chan A45F 5/00
224/183
2010/0298725 A1 * 11/2010 Vivenzio A61B 5/02233
600/490
2010/0307673 A1 * 12/2010 Matsumoto A61B 5/02233
156/253
2010/0314440 A1 12/2010 Maloney

2010/0315225 A1 12/2010 Teague
2011/0174887 A1 7/2011 Johnson
2011/0185611 A1 8/2011 Adams et al.
2012/0061430 A1 * 3/2012 Hall A44C 5/00
224/164
2012/0150051 A1 * 6/2012 Kinsley A61B 5/02233
600/499
2013/0023793 A1 1/2013 Valencia et al.
2013/0053708 A1 * 2/2013 Quinn A61B 5/02233
600/499
2013/0298434 A1 11/2013 McDermott et al.
2015/0255007 A1 * 9/2015 Brennan G09F 3/005
40/633
2016/0089039 A1 * 3/2016 Turturro A61B 5/02233
600/499

OTHER PUBLICATIONS

W-100, posted at Benik.com, no posting date given, © 2014, site visited Nov. 1, 2016, <<http://www.benik.com/adults/wrist/w-100>>.*
Orbit Proper Cuff Sizing, posted at YouTube.com, posted on Jan. 15, 2014, site visited Nov. 1, 2016, <https://www.youtube.com/watch?v=d_Q1NU7W52A&feature=youtu.be>.*
Omron H-003DS Small Adult Blood Pressure Cuff for IntelliSense Monitors, posted at Amazon.com, posted on Nov. 1, 2007, site visited Nov. 1, 2016, <https://www.amazon.com/Omron-H-003DS-Pressure-IntelliSense-Monitors/dp/B001I264DQ/ref=cm_cr_arpd_product_top?ie=UTF8>.*
Super Hero Capes for Your Little Super Hero!, posted at Sippycupmom.com, posted on Jun. 15, 2011, site visited Nov. 18, 2016, <<http://www.sippycupmom.com/super-hero-capes-for-your-little-super-hero/>>.*
Riester Velcro cuff child size 35.5×10 cm, 2 tubes, blue, posted at Medscope.co.uk, posted on © 2014, site visited Nov. 18, 2016, <https://www.medscope.co.uk/Riester_Velcro_cuff_child_size_35.5_x_10_cm_2_tubes_blue_~pp~13054.htm>.*
Ferguson-Shakir, Rhonda; U.S. Design Patent Application entitled: Diagnostic Wrist Band With Plastic-Encased Color-Coded Ribbon having U.S. Appl. No. 29/550,525, filed Jan. 5, 2016, 7 pgs.

* cited by examiner

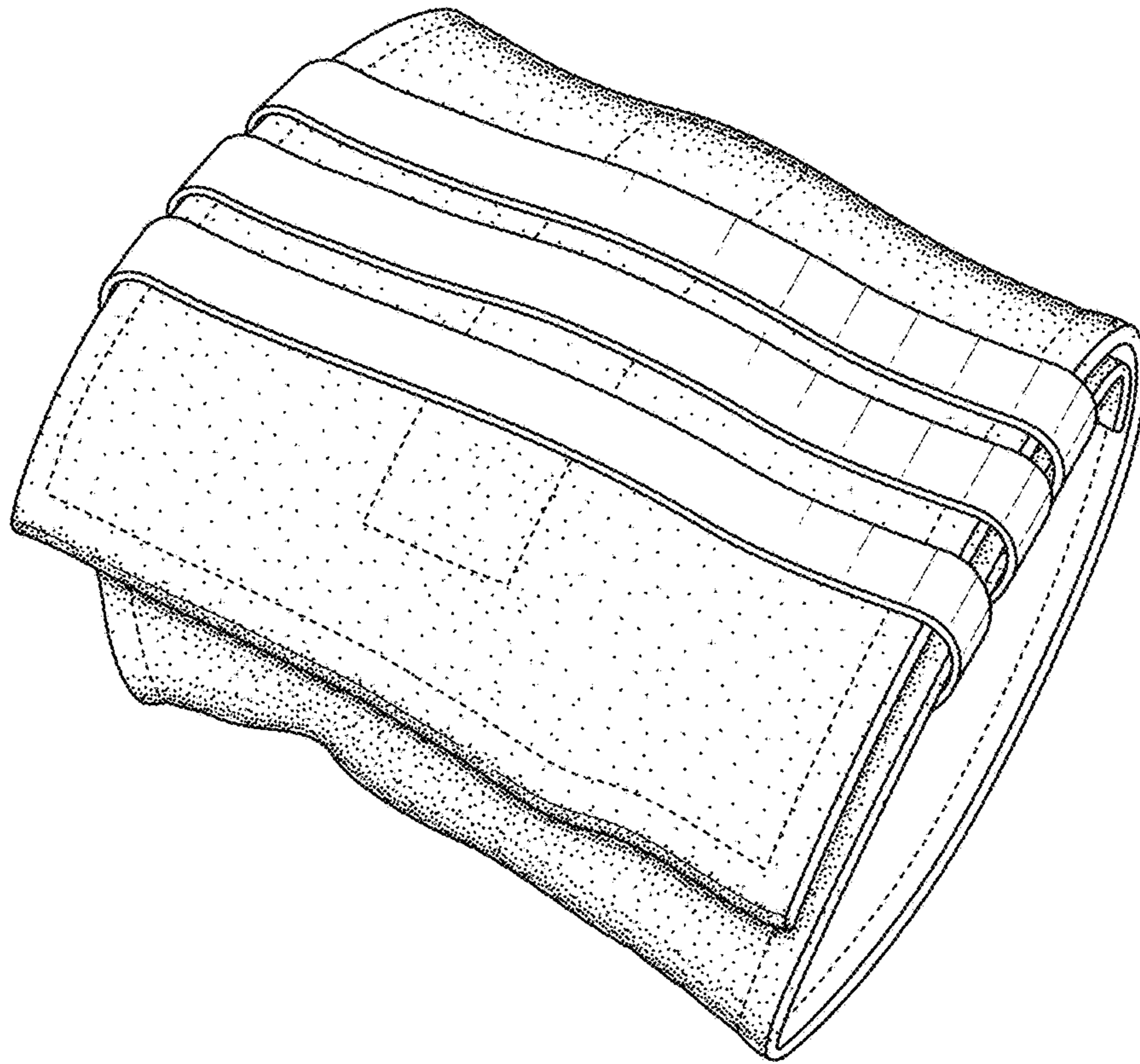


FIG. 1

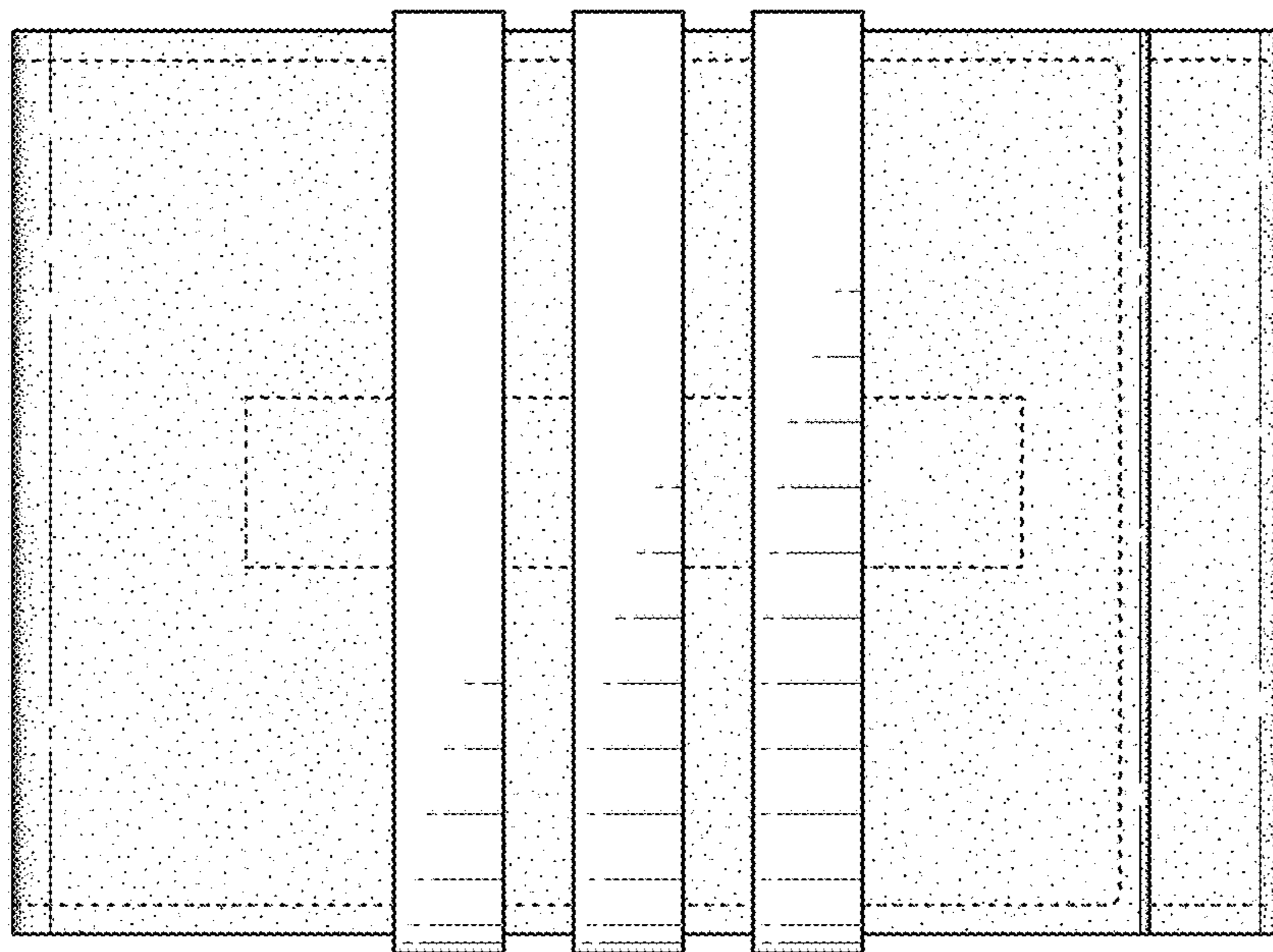


FIG. 2

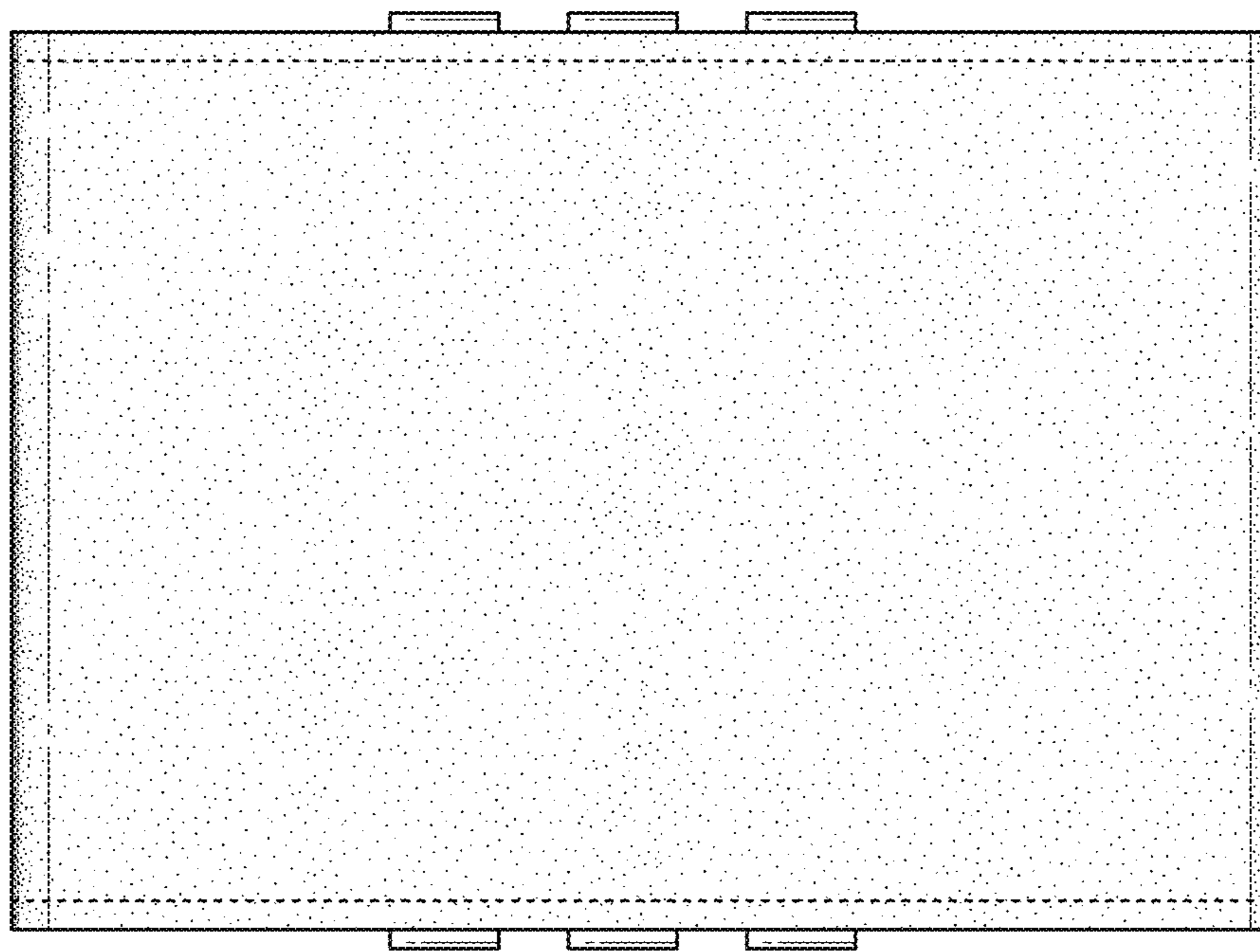


FIG. 3



FIG. 4



FIG. 5



FIG. 6



FIG. 7

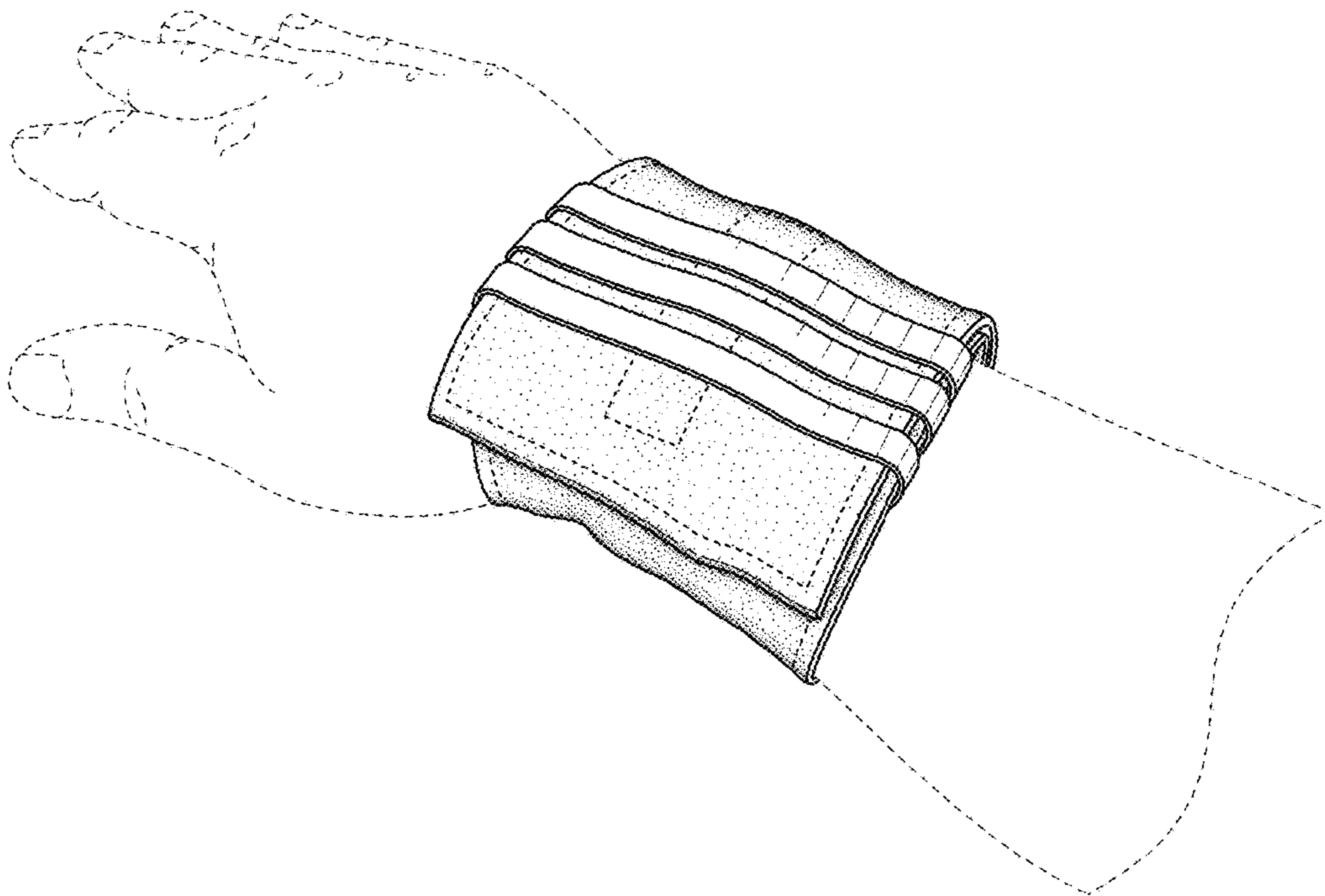


FIG. 8