



US00D782050S

(12) **United States Design Patent**
Westdyk

(10) **Patent No.:** **US D782,050 S**
(45) **Date of Patent:** **** Mar. 21, 2017**

(54) **ANATOMICAL SUPPORT**

(71) Applicant: **Alan Michael Westdyk**, Pretoria (ZA)

(72) Inventor: **Alan Michael Westdyk**, Pretoria (ZA)

(**) Term: **15 Years**

(21) Appl. No.: **29/536,125**

(22) Filed: **Aug. 13, 2015**

(30) **Foreign Application Priority Data**

Feb. 24, 2015 (ZA) F2015/00276

(51) **LOC (10) Cl.** **24-01**

(52) **U.S. Cl.**
USPC **D24/184**

(58) **Field of Classification Search**

USPC D24/183-184, 171, 200, 211, 178;
D6/601, 596, 606, 637, 604, 716-717,
D6/392, 716.6, 360-361, 653, 716.1;
5/632-634, 643, 64, 648-651, 618, 620,
5/621; 601/24, 33-34; 297/423.39,
297/423.4, 423.44, 423.1, 217.3, 54,
297/219.1, 57, 149, 183.3, 423.12,
297/423.18; 128/845
CPC A47C 16/02; A47C 16/025; A47C 3/029;
A47C 16/005; A47C 7/503; A47C 7/021;
A47C 7/008; A47C 20/027; A61G 13/12;
A61G 7/0755; A61G 7/015; A47G
9/1009; A47G 9/10; A61H 1/02; A61H
1/0259

See application file for complete search history.

(56) **References Cited**

U.S. PATENT DOCUMENTS

110,240 A * 12/1870 James A47C 16/025
297/423.39
183,475 A * 10/1876 Weddle A47C 16/02
297/54

195,425 A * 9/1877 Weddle A47C 16/02
297/423.39
217,621 A * 7/1879 Jungman A47C 16/02
297/423.39
266,630 A * 10/1882 Jambers A47C 16/02
297/423.39
938,172 A * 10/1909 Schulz A47C 3/029
297/219.1

(Continued)

Primary Examiner — Ian Simmons

Assistant Examiner — Mark Cavanna

(74) *Attorney, Agent, or Firm* — Haugen Law Firm PLLP

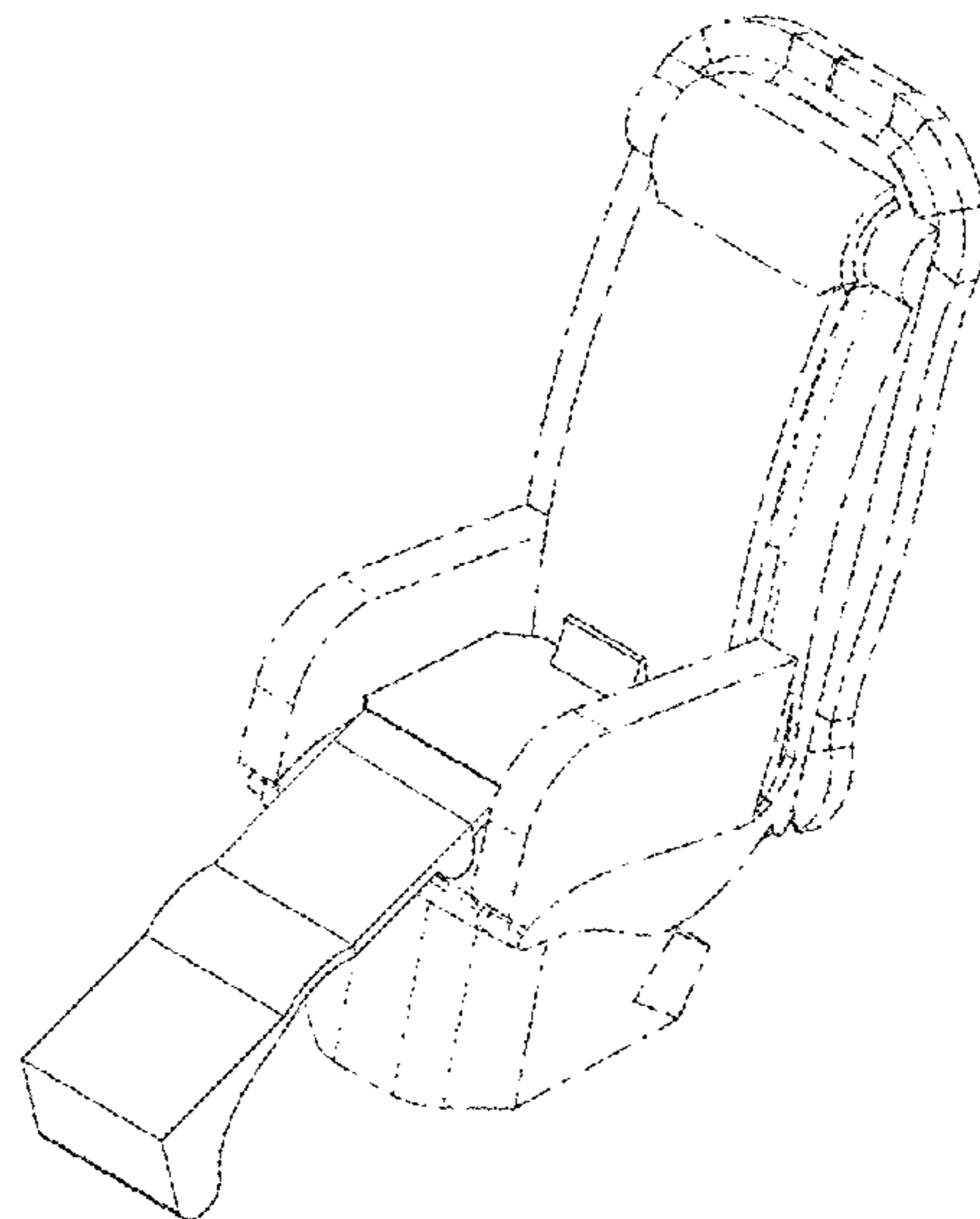
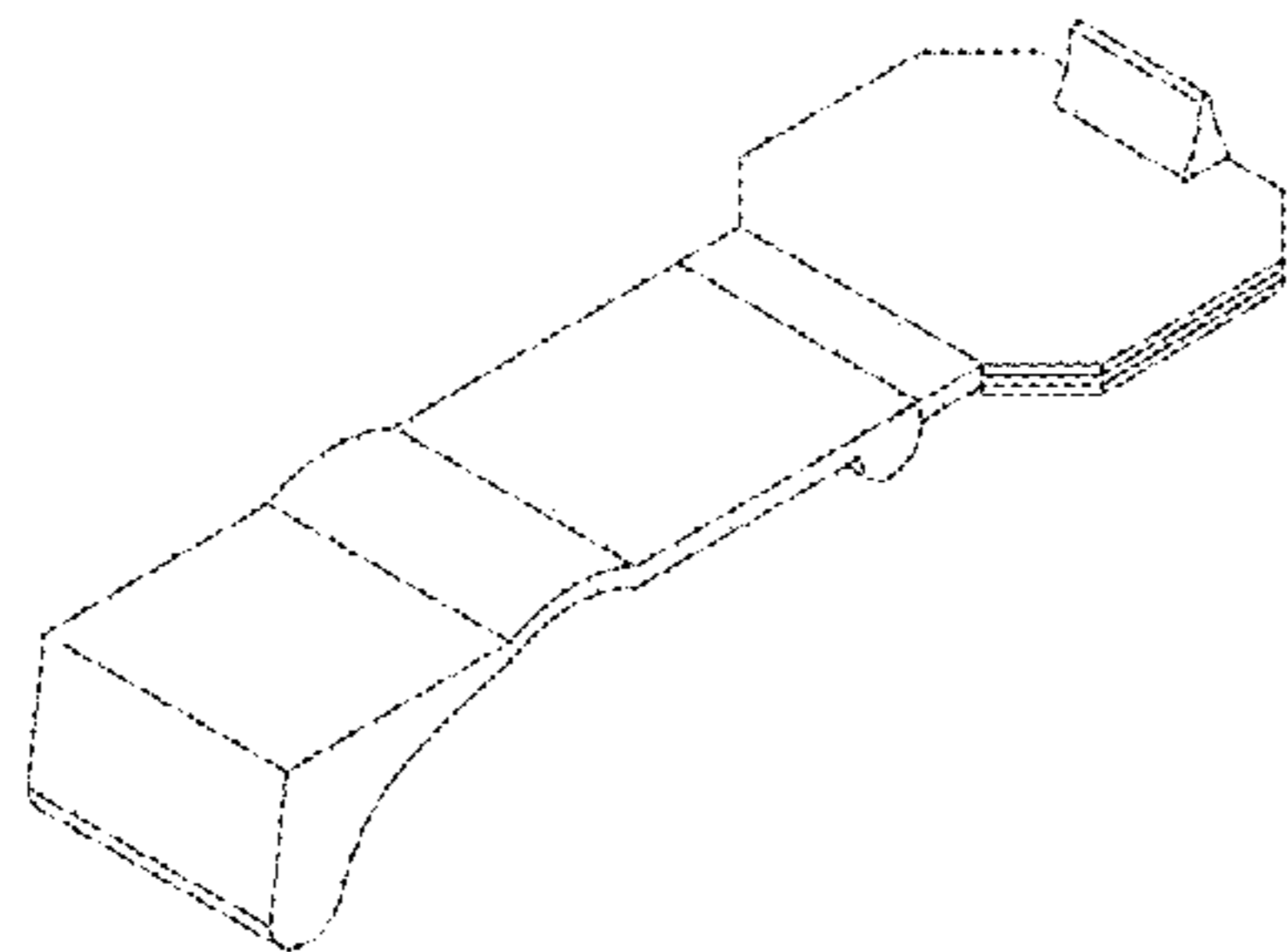
(57) **CLAIM**

The ornamental design for an anatomical support, as shown and described.

DESCRIPTION

FIG. 1 is a front top perspective view of the anatomical support;
FIG. 2 is a front bottom perspective view of the anatomical support;
FIG. 3 is a perspective view of the anatomical support in use in a chair;
FIG. 4 is a front elevational view of the anatomical support;
FIG. 5 is a rear elevational of the anatomical support;
FIG. 6 is a left side elevational view of the anatomical support;
FIG. 7 is a right side elevational view of the anatomical support;
FIG. 8 is a top plan view of the anatomical support; and,
FIG. 9 is a bottom plan view of the anatomical support.
The broken line showing of environmental structure is for illustrative purposes only, and forms no part of the claimed design.

1 Claim, 5 Drawing Sheets



(56)

References Cited

U.S. PATENT DOCUMENTS

1,315,264 A *	9/1919	Walker	A47C 16/02	297/423.39
1,979,152 A *	10/1934	Green	A47C 16/025	297/57
2,140,310 A *	12/1938	Brown	A47C 16/005	297/149
2,614,613 A *	10/1952	Bushong	A47C 16/02	297/183.3
3,264,033 A *	8/1966	Hansburg	A47C 16/025	297/423.39
4,067,614 A *	1/1978	Confer	A47C 16/02	297/423.39
D324,571 S *	3/1992	Yamasaki	D24/183	
D328,349 S *	7/1992	Waldrop	D24/183	
5,154,484 A *	10/1992	Aronson	A47C 16/02	297/423.44
5,449,221 A *	9/1995	Stander	A47C 16/02	297/423.4
6,045,192 A *	4/2000	Faulise	A47C 16/02	297/423.1
6,295,987 B1 *	10/2001	Parker	A61G 13/12	128/845
D550,361 S *	9/2007	Cartwright	D24/183	
D553,371 S *	10/2007	Haskell	D6/353	
7,669,934 B1 *	3/2010	Cline	A47C 7/503	297/217.3
D641,981 S *	7/2011	Wu	D6/353	
D645,967 S *	9/2011	Sharps	D24/184	
D655,418 S *	3/2012	Hancock	D24/183	
D659,446 S *	5/2012	Wu	D6/716.1	
8,833,518 B2 *	9/2014	Holcombe	A47C 7/008	297/423.39
2005/0151408 A1 *	7/2005	Pratte	A47C 16/025	297/423.39
2015/0084394 A1 *	3/2015	Hempstead	A47C 7/021	297/423.39

* cited by examiner

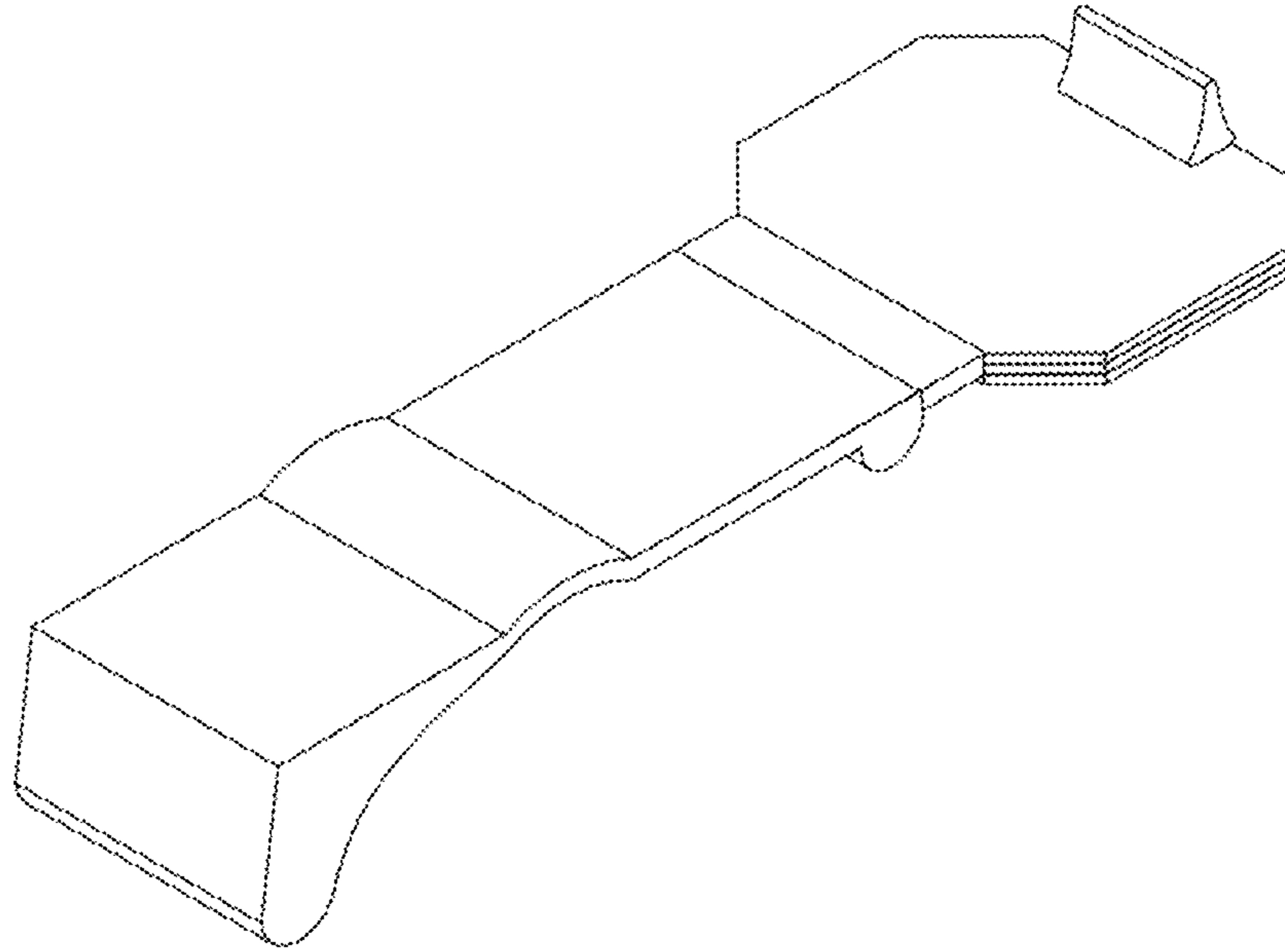


Fig. 1

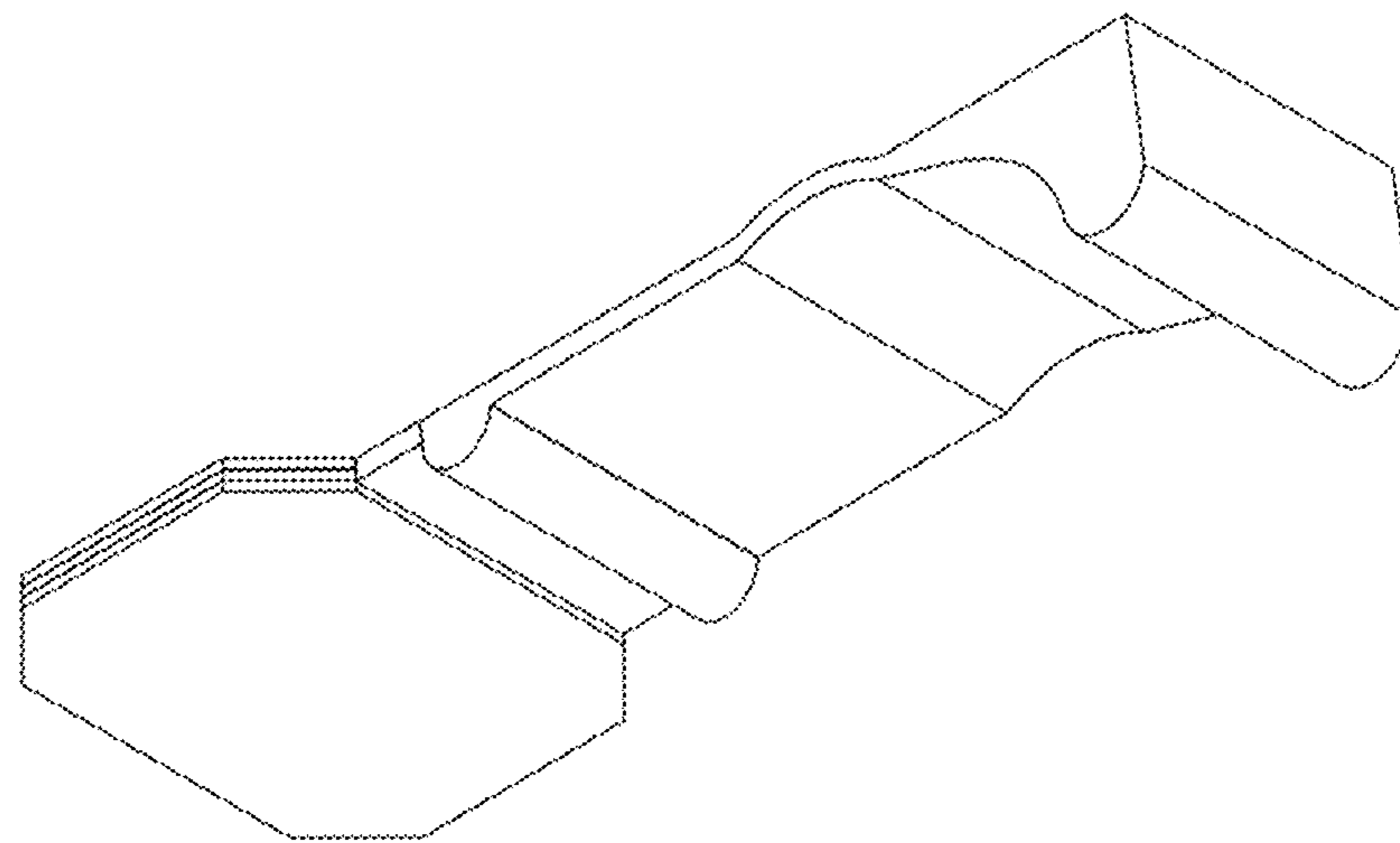


Fig. 2

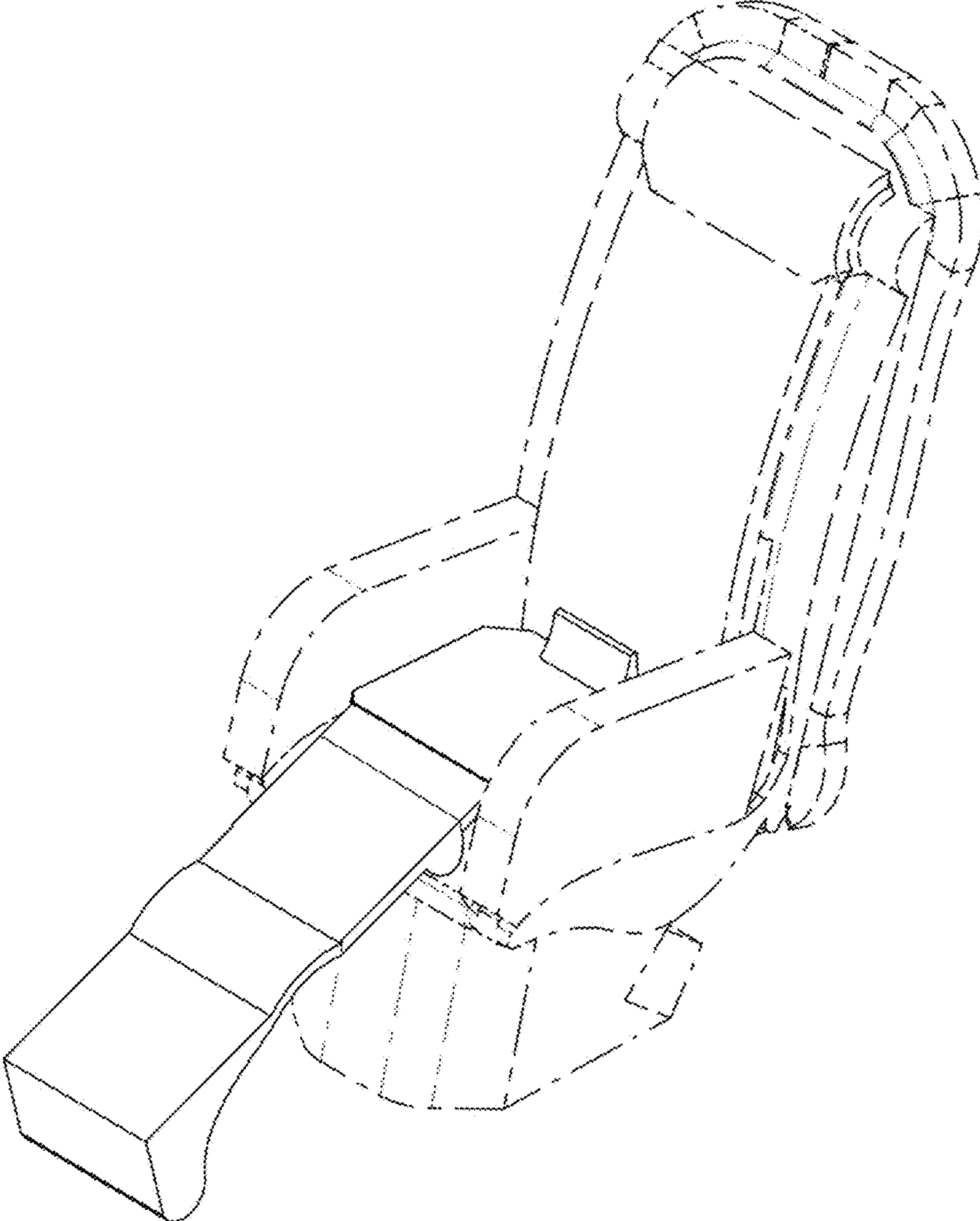


Fig. 3

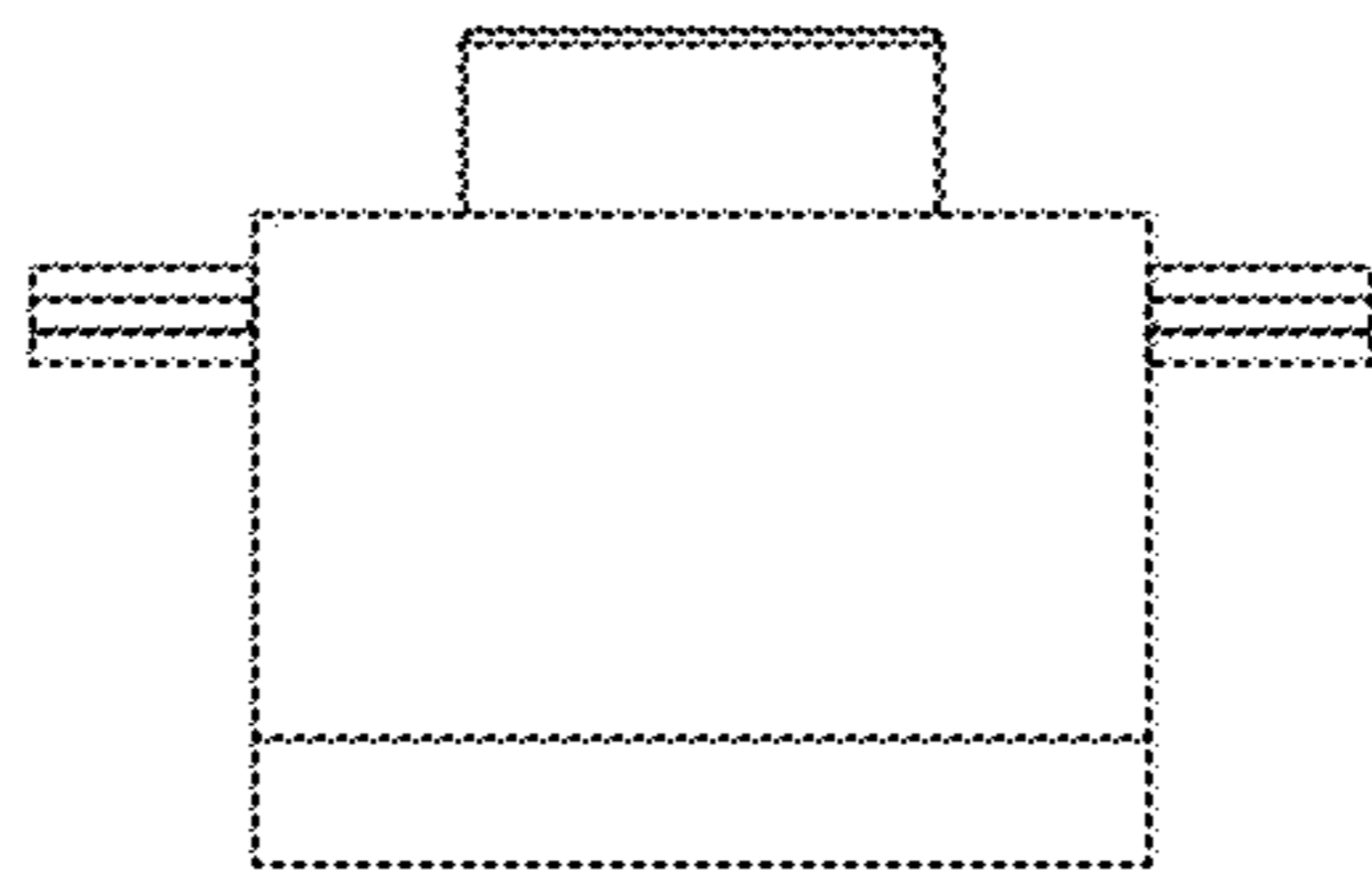


Fig. 4

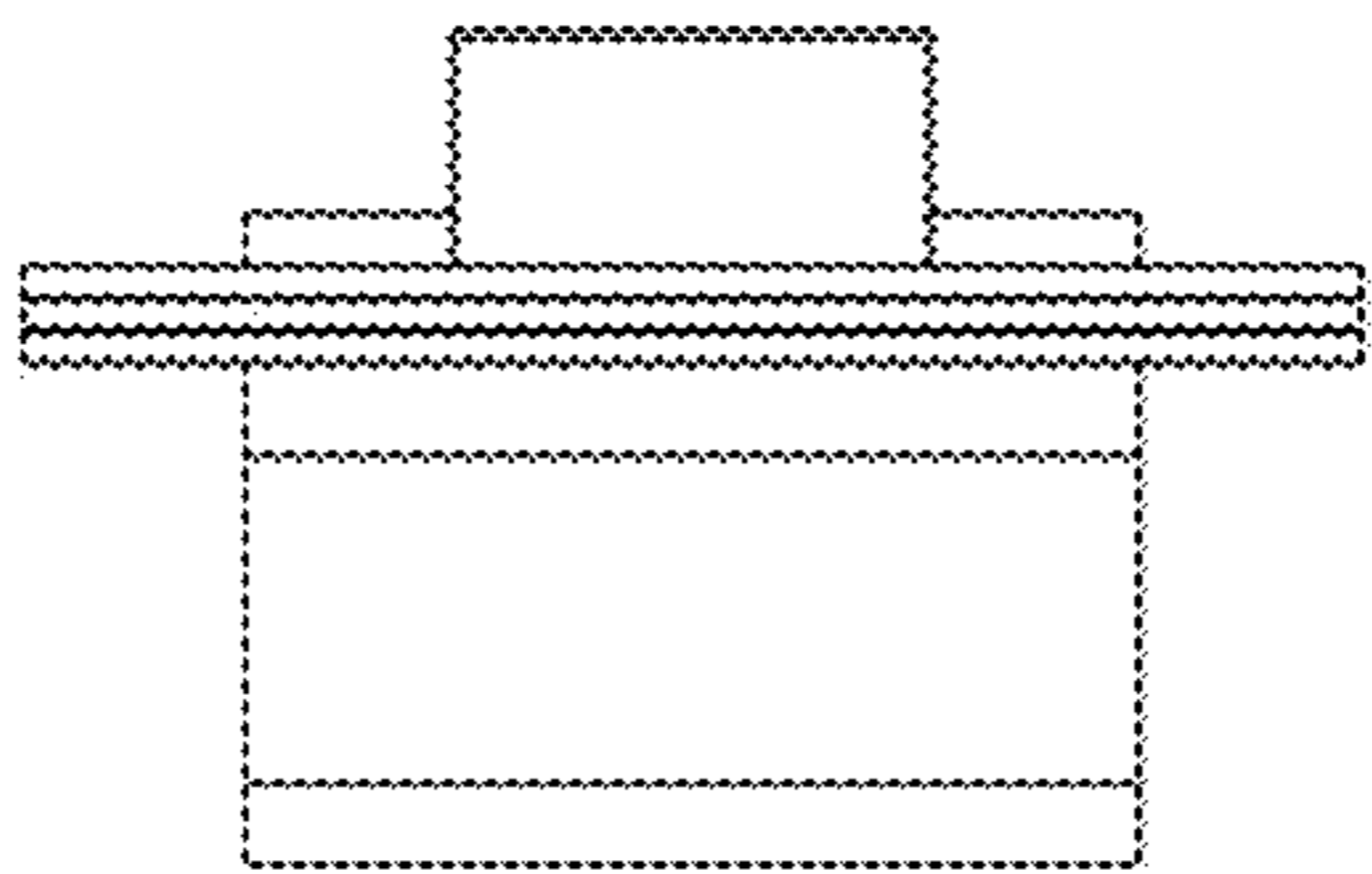


Fig. 5

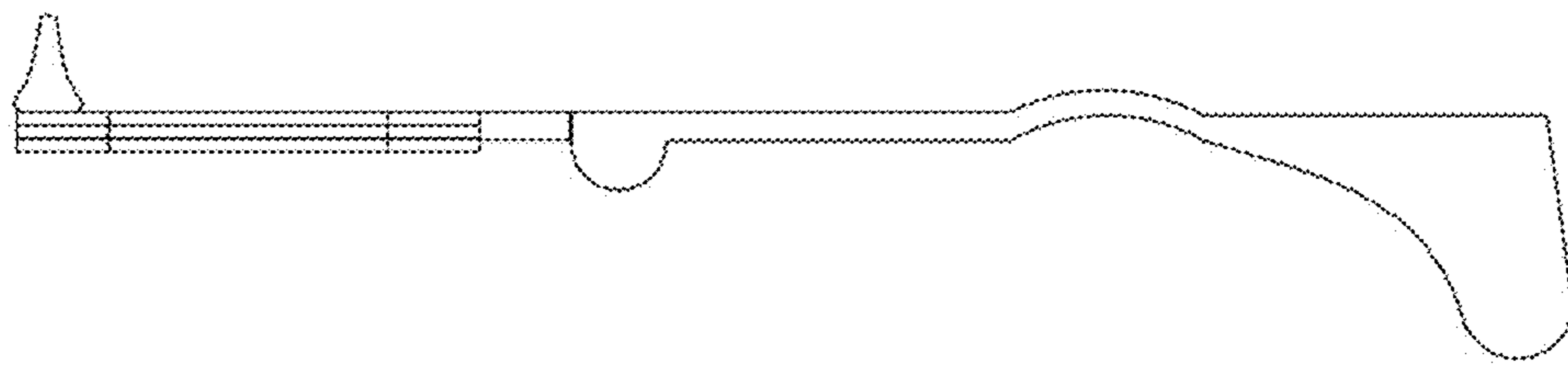


Fig. 6

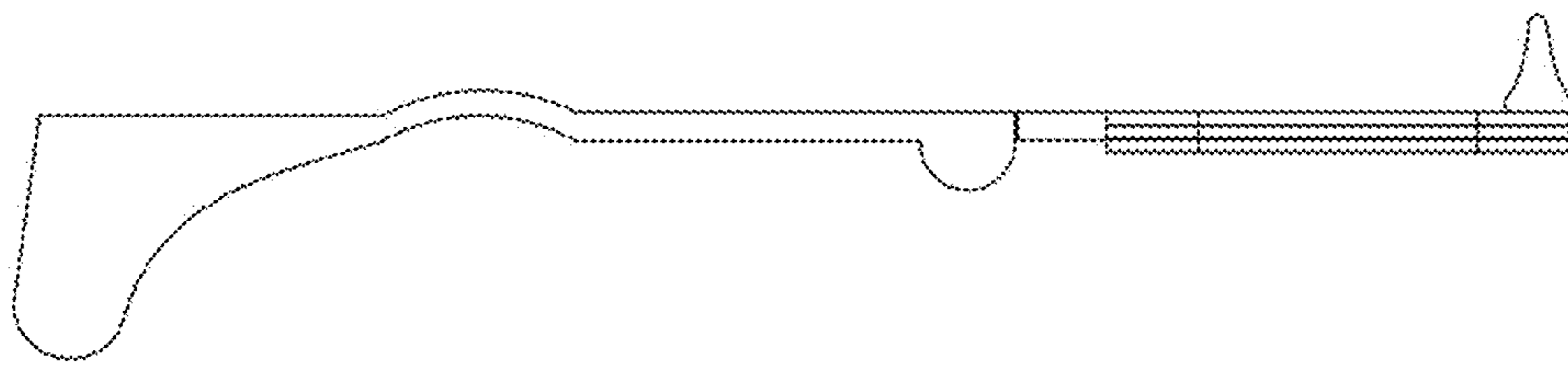


Fig. 7

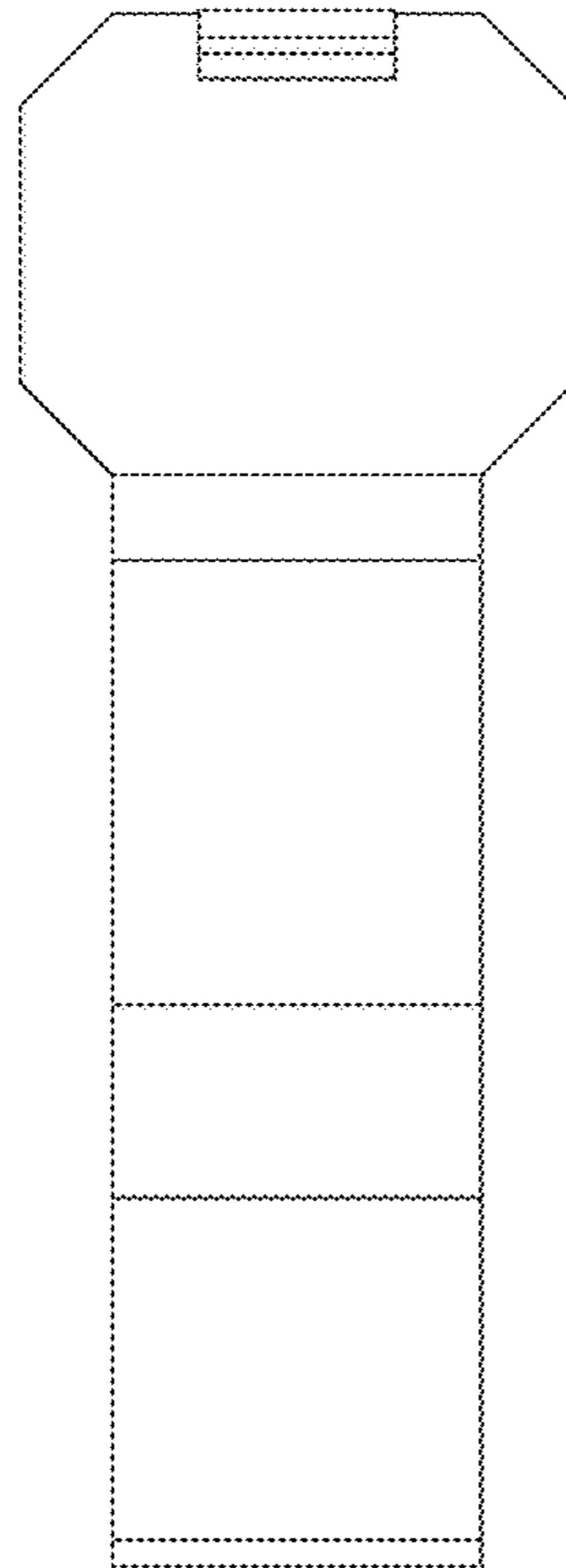


Fig. 8

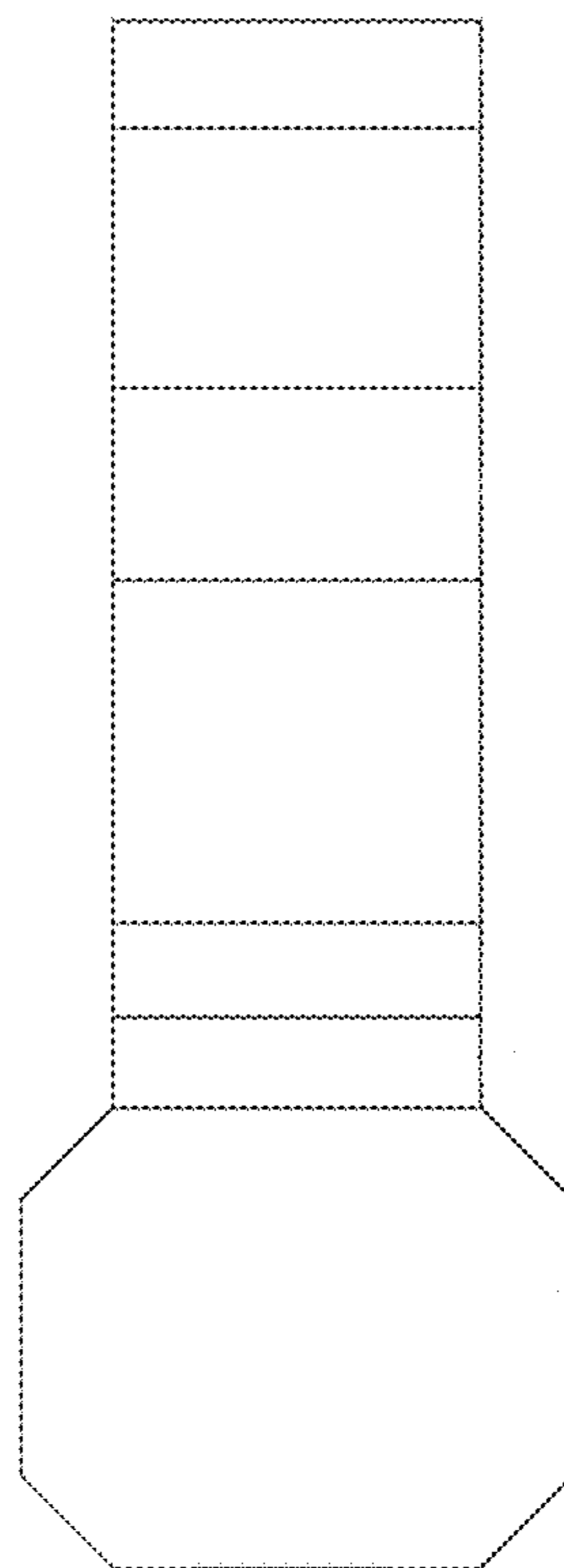


Fig. 9