



US00D782048S

(12) **United States Design Patent**
Ritter

(10) **Patent No.:** **US D782,048 S**

(45) **Date of Patent:** **** Mar. 21, 2017**

- (54) **DENTAL BITE BLOCK**
- (71) Applicant: **ASCENTCARE DENTAL LABS, LLC, Nunica, MI (US)**
- (72) Inventor: **Austin Rasmussen Ritter, Nunica, MI (US)**
- (73) Assignee: **ASCENTCARE DENTAL LABS, LLC, Nunica, MI (US)**
- (**) Term: **15 Years**
- (21) Appl. No.: **29/561,799**
- (22) Filed: **Apr. 20, 2016**
- (51) **LOC (10) Cl.** **24-01**
- (52) **U.S. Cl.**
USPC **D24/181**
- (58) **Field of Classification Search**
USPC D24/110.5, 176-182; D29/108; 433/25, 433/93, 94, 140; 128/200.26; 206/63.5; 600/237
CPC A61C 7/00; A61C 7/08; A61C 7/36; A61C 5/122; A61C 3/00; A61C 9/0006; A61C 5/14; A61B 1/24; A61F 5/566; A61M 16/049; A61M 16/093
See application file for complete search history.

- 4,215,984 A 8/1980 Reichley
- 4,310,308 A 1/1982 Oien
- 4,425,911 A * 1/1984 Luomanen A61M 16/0488
128/200.26
- 4,495,945 A * 1/1985 Liegner A61M 16/0488
128/200.26
- D292,123 S 9/1987 Armstrong et al.
- 5,071,347 A 12/1991 McGuire
- 5,078,602 A 1/1992 Honoshofsky
- (Continued)

OTHER PUBLICATIONS

LEAP Illuminated Mouth Prop, <https://garrisdental.com/en/leap-illuminated-mouth-prop>, Garrison Dental, Spring Lake, MI (undated).

(Continued)

Primary Examiner — Wan Laymon

Assistant Examiner — Clint A Samuel

(74) *Attorney, Agent, or Firm* — Price Heneveld LLP

(57) **CLAIM**

The ornamental design for a dental bite block, as shown and described.

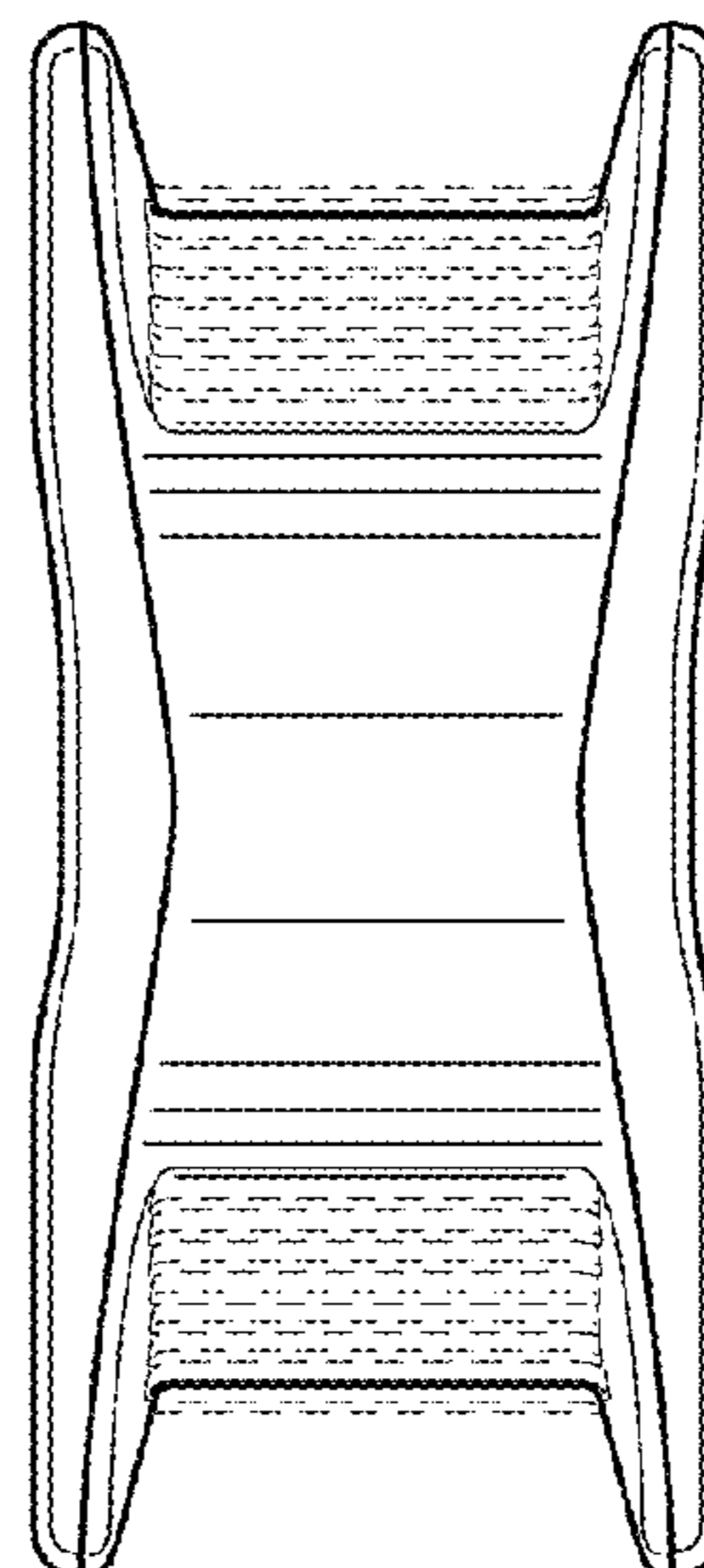
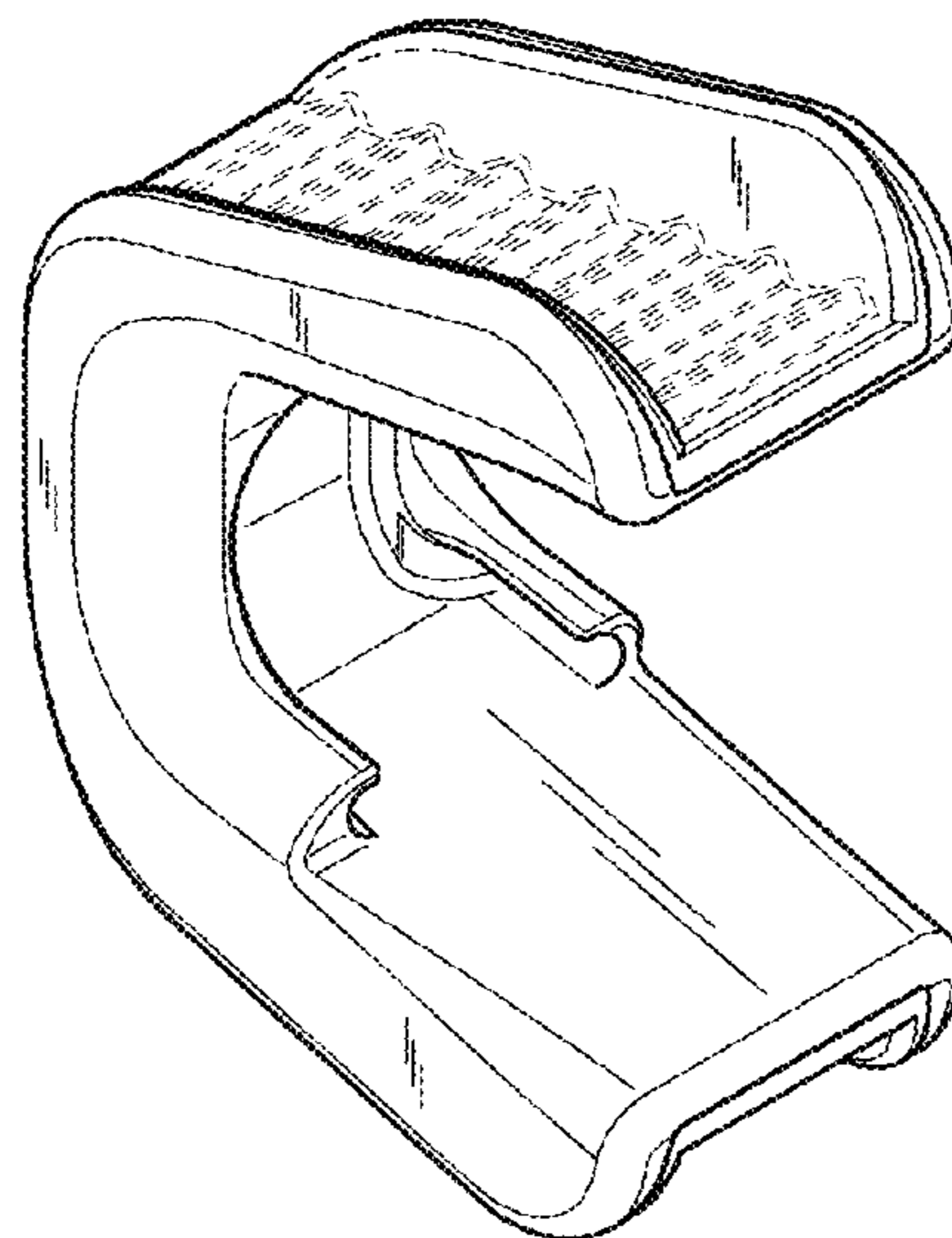
DESCRIPTION

FIG. 1 is a front perspective view of a dental bite block according to my design;
 FIG. 2 is a right elevational view thereof;
 FIG. 3 is a left elevational view thereof;
 FIG. 4 is a top elevational view thereof;
 FIG. 5 is a front elevational view thereof;
 FIG. 6 is a bottom elevational view thereof; and,
 FIG. 7 is a rear elevational view thereof.
 The broken line showing of various features is for the purpose of illustrating unclaimed portions of the dental bite block and forms no part of the claimed design.

1 Claim, 2 Drawing Sheets

(56) **References Cited**
 U.S. PATENT DOCUMENTS

- 2,823,455 A 4/1956 Sprague
- 3,657,819 A 4/1972 Soderqvist
- 3,722,101 A 3/1973 Via, Jr.
- 3,916,880 A 11/1975 Schroer
- 3,924,333 A 12/1975 Erickson
- 4,017,975 A 4/1977 Johnson
- 4,024,859 A 5/1977 Slepyan et al.
- 4,112,936 A * 9/1978 Blachly A61M 16/0488
128/207.14



(56)

References Cited

U.S. PATENT DOCUMENTS

5,097,820 A 3/1992 Shulman et al.
 5,386,821 A * 2/1995 Poterack A61M 16/0488
 128/200.26
 5,421,327 A * 6/1995 Flynn A61M 16/0488
 128/200.26
 D370,732 S 6/1996 Smith
 5,590,643 A 1/1997 Flam
 5,733,121 A 3/1998 Goode
 5,740,791 A 4/1998 Aves
 5,762,496 A 6/1998 Albertsson et al.
 6,098,627 A * 8/2000 Kellner A61O 5/14
 128/859
 6,102,701 A 8/2000 Engeron
 D440,654 S 4/2001 Mark
 D441,073 S 4/2001 Mark
 6,241,521 B1 * 6/2001 Garrison A61B 1/24
 433/140
 6,474,332 B2 11/2002 Arndt
 6,652,276 B2 11/2003 Fischer et al.
 6,655,960 B2 12/2003 Fischer
 6,675,808 B2 1/2004 Karasic
 6,716,029 B2 4/2004 Fischer et al.
 D495,799 S 9/2004 Hirsch et al.
 7,066,735 B1 6/2006 Gasporra
 7,712,468 B2 5/2010 Hargadon
 7,780,445 B2 8/2010 Keles
 7,785,105 B2 8/2010 Anderson
 7,887,483 B2 2/2011 Rosenberg
 D639,959 S * 6/2011 Westerlund D24/181
 8,083,672 B2 12/2011 Minson
 8,197,402 B1 6/2012 Cedeno
 D666,726 S * 9/2012 Davis D24/181
 8,430,095 B2 4/2013 Inoue et al.
 8,535,056 B2 9/2013 Dragan et al.
 8,656,925 B2 2/2014 Davis et al.
 8,684,919 B2 4/2014 Anca et al.
 8,770,189 B2 7/2014 Colman et al.
 8,820,320 B2 9/2014 Filipi et al.
 8,870,568 B1 10/2014 Ream
 D721,811 S 1/2015 Zakhem et al.
 D753,818 S 4/2016 Maguire et al.
 D762,856 S 8/2016 Steward, Jr.
 2001/0015206 A1 * 8/2001 Arndt A61M 16/0488
 128/207.14

2001/0039949 A1 11/2001 Loubser
 2006/0042637 A1 3/2006 Martin et al.
 2007/0068535 A1 * 3/2007 Colman A61B 1/00154
 128/859
 2008/0053434 A1 3/2008 Wightman et al.
 2008/0156322 A1 7/2008 Isenberg et al.
 2008/0318183 A1 12/2008 Suzman
 2010/0129767 A1 5/2010 Fishburne, Jr.
 2010/0132700 A1 * 6/2010 Filipi A61B 1/00154
 128/200.26
 2010/0262033 A1 * 10/2010 Colman A61M 16/0488
 600/532
 2010/0317987 A1 * 12/2010 Inoue A61M 16/0488
 600/543
 2011/0251467 A1 10/2011 Poch Marti
 2012/0228528 A1 9/2012 Koo
 2013/0104912 A1 * 5/2013 Davis A61O 5/14
 128/861
 2013/0245367 A1 9/2013 Tucker
 2013/0270878 A1 10/2013 Adachi et al.
 2013/0323670 A1 12/2013 Okuda et al.
 2014/0007868 A1 1/2014 Eaton et al.
 2014/0114132 A1 4/2014 De Domenico
 2014/0275803 A1 * 9/2014 Cushner A61B 1/32
 600/238
 2014/0332009 A1 * 11/2014 Haider A61M 16/0493
 128/207.17
 2015/0013672 A1 1/2015 Abdoue
 2015/0157821 A1 6/2015 Manecke et al.
 2016/0242885 A1 * 8/2016 Dickie A61D 7/00
 2016/0270878 A1 9/2016 Fulton, III

OTHER PUBLICATIONS

Olight SR52 Intimidator CREE XM-L2 LED Flashlight, <https://www.amazon.com/Oling-Intimidator-XM-L-2-Flashlight-Black/dp/B00KLMDM4S> . . . (Jun. 29, 2016).
 Garrison Dental, LEAP Illuminated Mouth Prop, <https://garrisondental.com/en/leap-illuminated-mouth-prop>, Garrison Dental, Spring Lake, MI (undated, but was first published Jan. 11, 2016, and last updated Feb. 9, 2016).
 Olight, Olight SR52 Intimidator CREE XM-L2 LED Flashlight, <https://www.amazon.com/Oling-Intimidator-XM-L-2-Flashlight-Black/dp/B00KLMDM4S> . . . (Jun. 29, 2016).

* cited by examiner

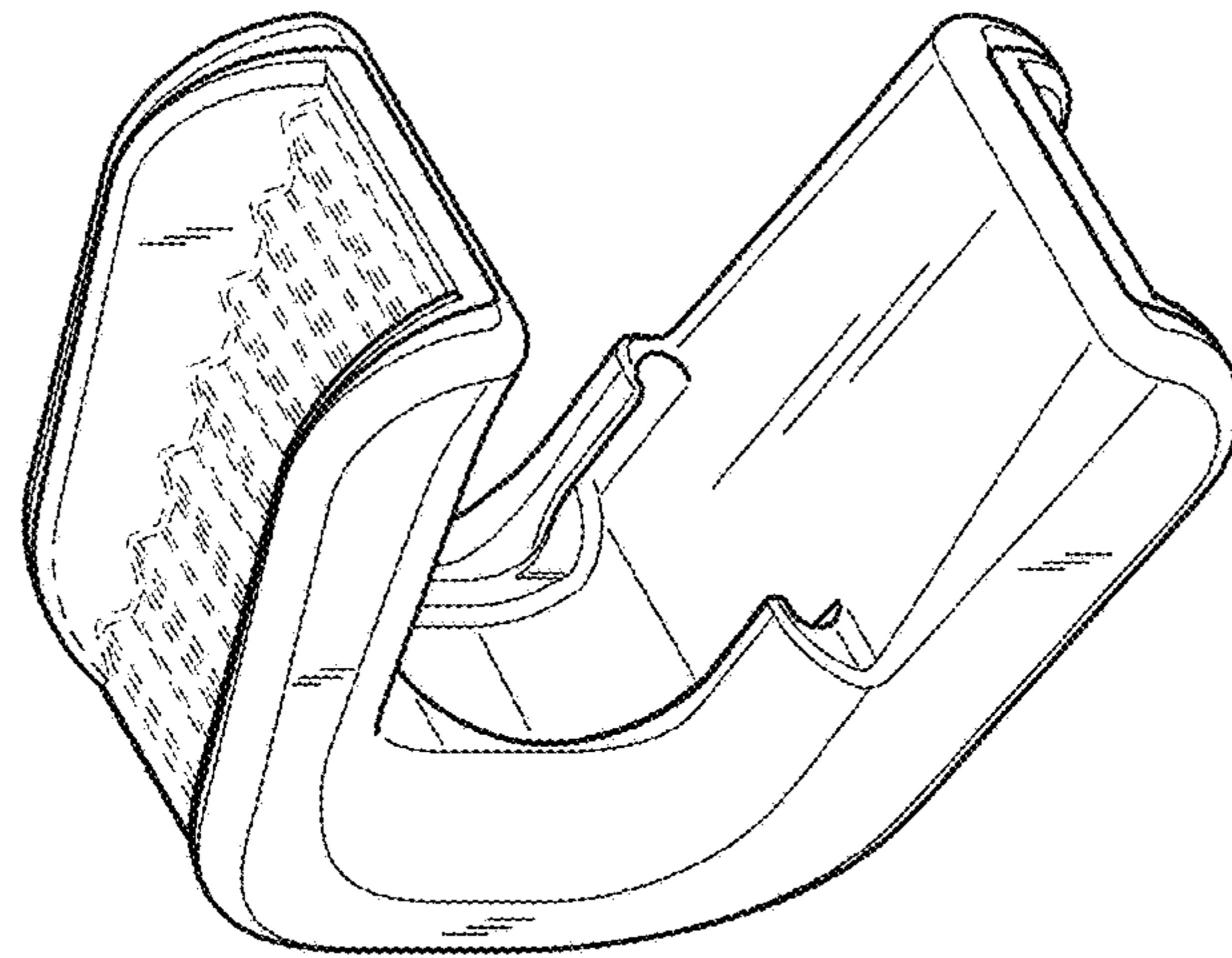


FIG. 1

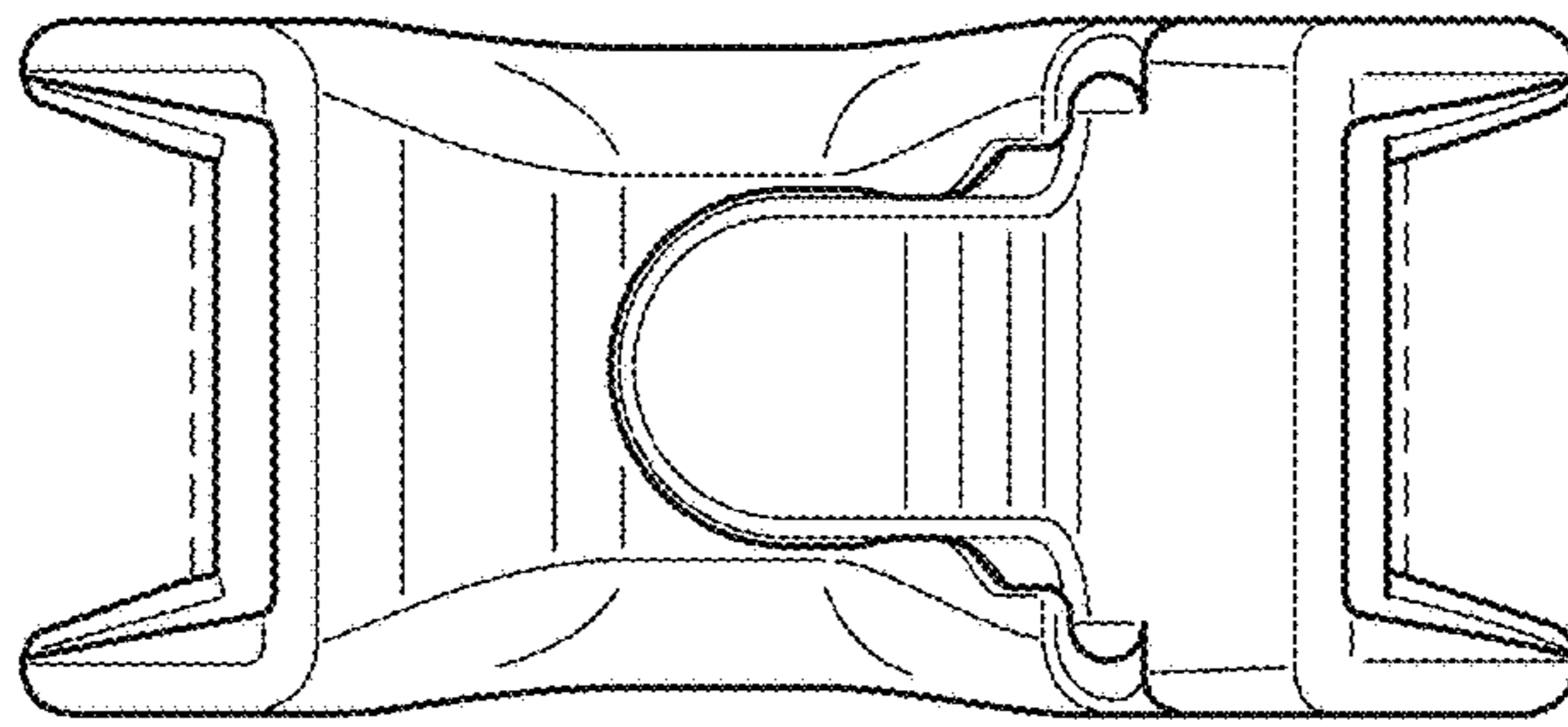


FIG. 2

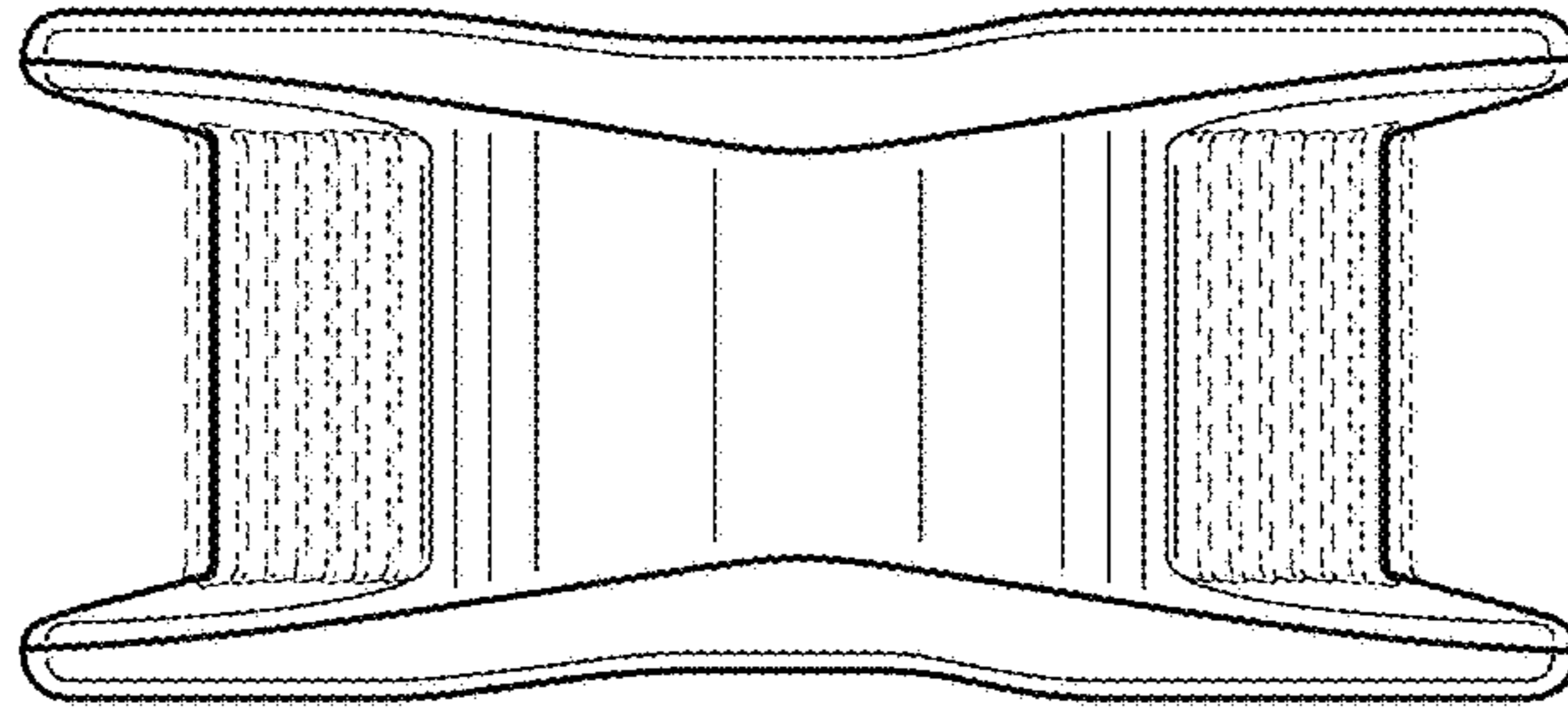


FIG. 3

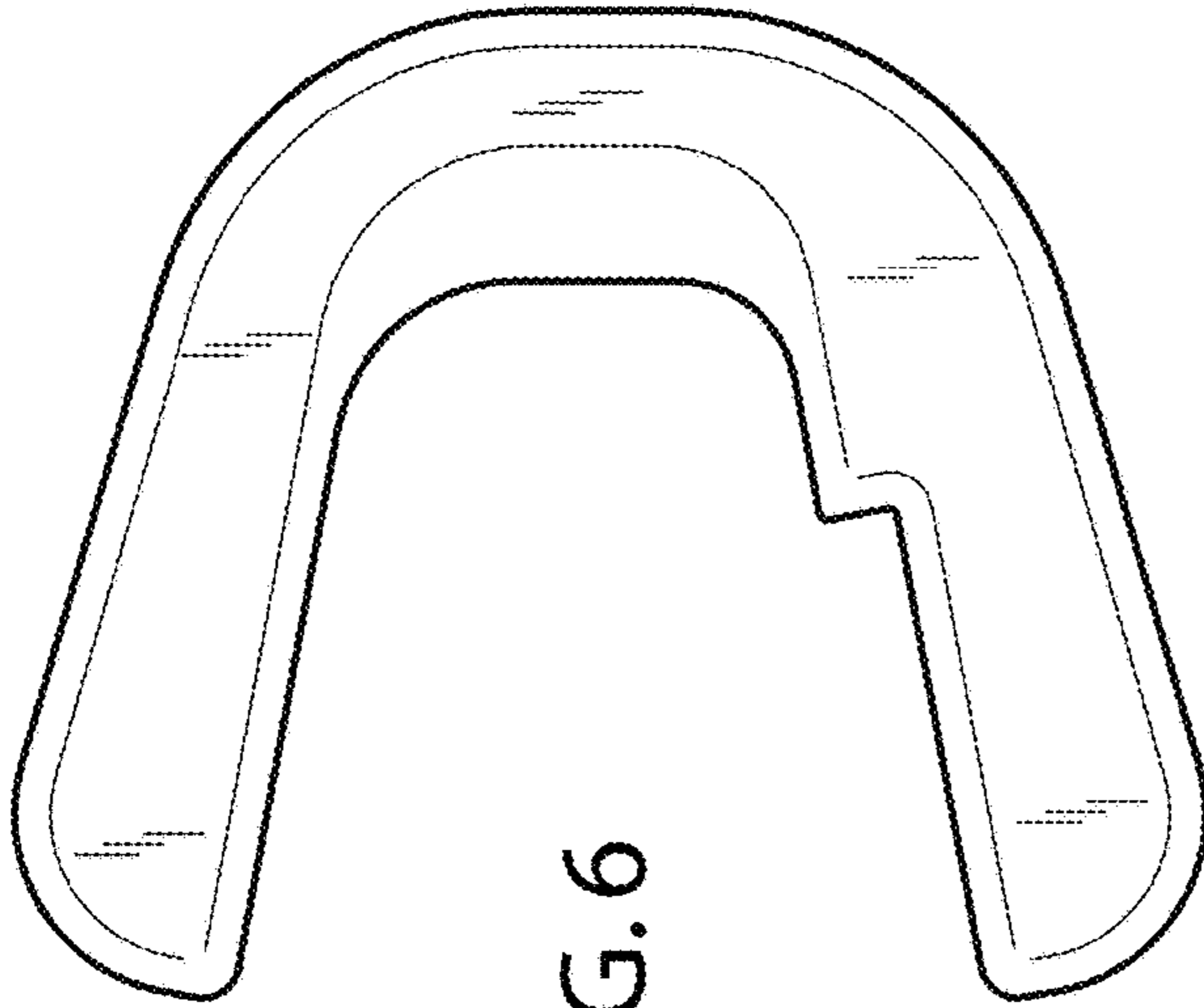


FIG. 6

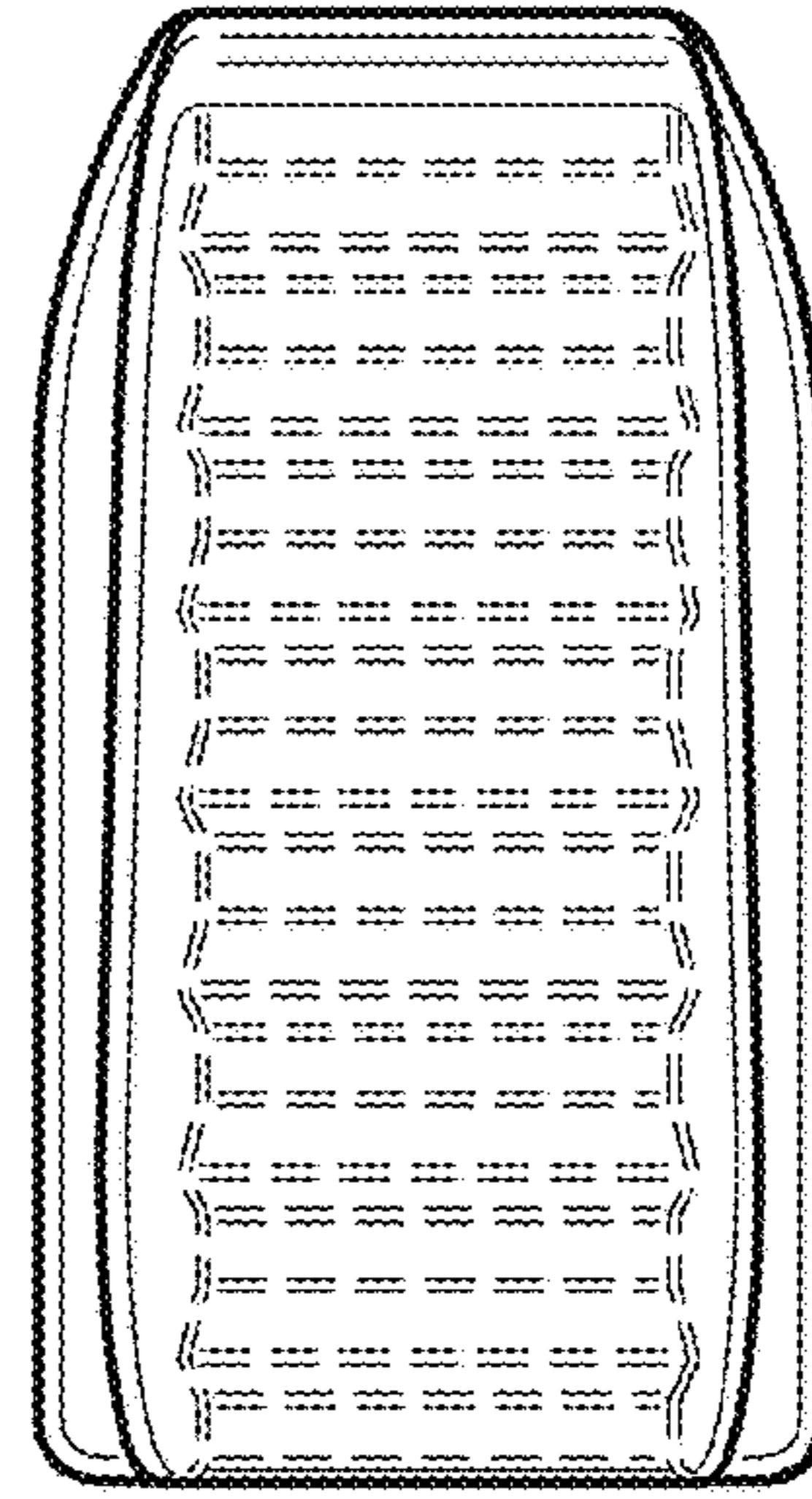


FIG. 7

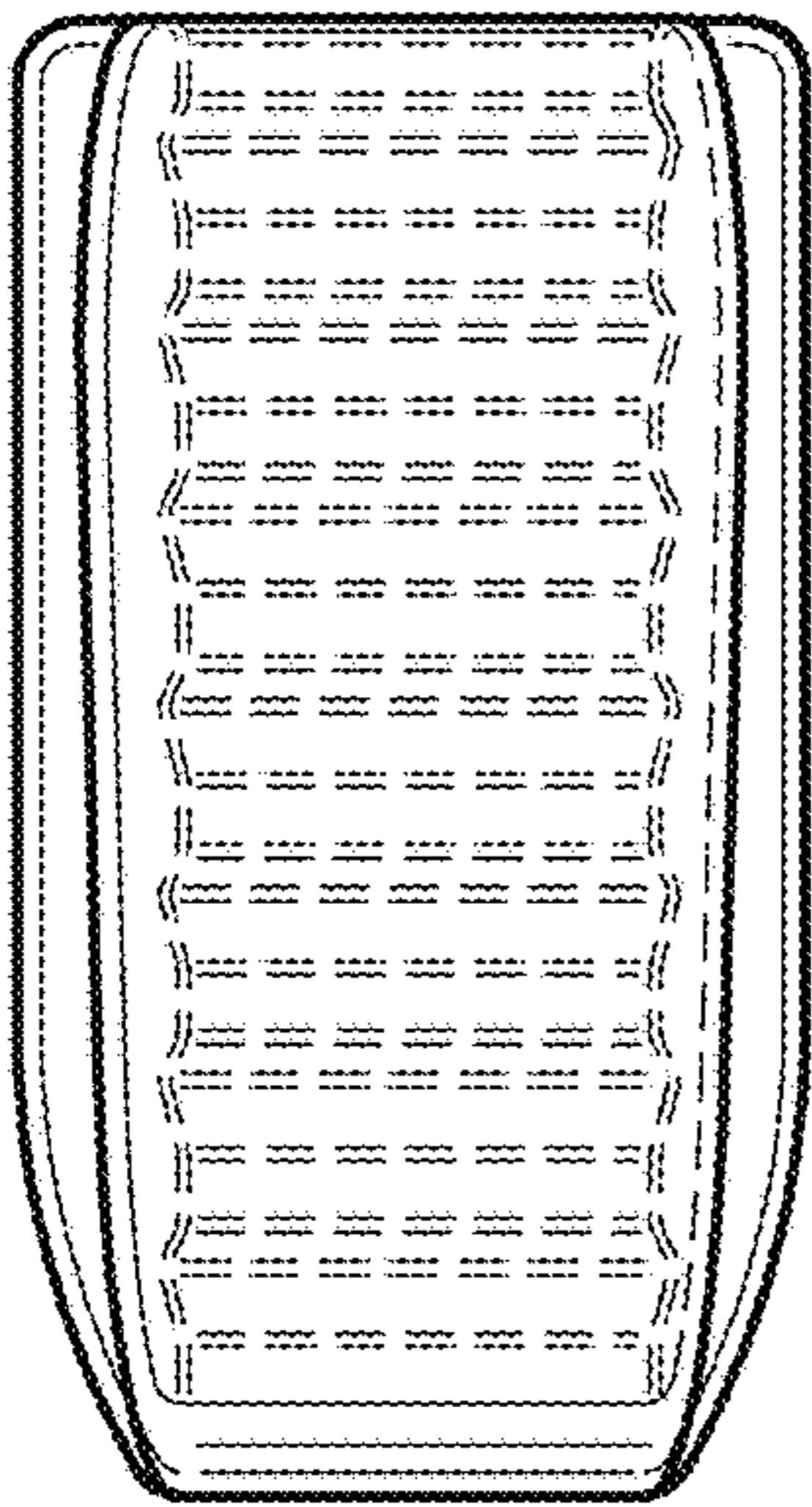


FIG. 4

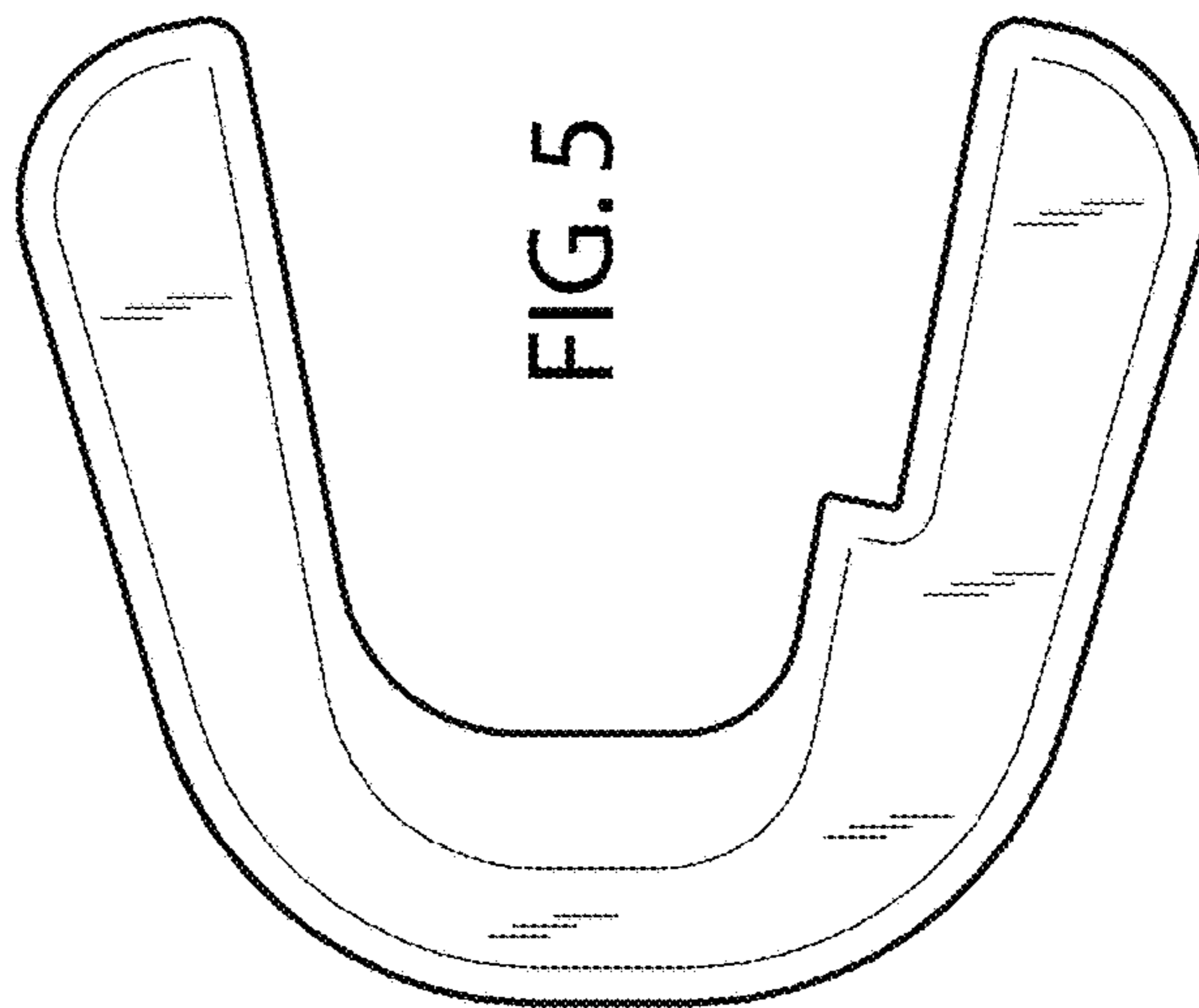


FIG. 5