



US00D782047S

(12) **United States Design Patent**
Ritter

(10) **Patent No.:** **US D782,047 S**

(45) **Date of Patent:** **** Mar. 21, 2017**

(54) **DENTAL ACCESSORY FOR HOLDING A SALIVA EJECTION TUBE**

(71) Applicant: **ASCENTCARE DENTAL LABS, LLC**, Nunica, MI (US)

(72) Inventor: **Austin Rasmussen Ritter**, Nunica, MI (US)

(73) Assignee: **ASCENTCARE DENTAL LABS, LLC**, Nunica, MI (US)

(**) Term: **15 Years**

(21) Appl. No.: **29/561,801**

(22) Filed: **Apr. 20, 2016**

(51) **LOC (10) Cl.** **24-01**

(52) **U.S. Cl.**
USPC **D24/176; D24/177**

(58) **Field of Classification Search**
USPC D24/10, 110.5, 112, 119, 137, 152, 161, D24/176-182; D29/108; 433/93, 94, 433/140; 128/200.26
CPC A61G 15/14; A61G 15/16; A61G 15/18; A47K 5/00; A61M 16/04; A61M 16/049; A61C 3/04

See application file for complete search history.

(56) **References Cited**

U.S. PATENT DOCUMENTS

2,823,455 A	4/1956	Sprague
3,657,819 A	4/1972	Soderqvist
3,722,101 A	3/1973	Via, Jr.
3,916,880 A	11/1975	Schroer

(Continued)

OTHER PUBLICATIONS

LEAP Illuminated Mouth Prop, <https://garrisondental.com/en/leap-illuminated-mouth-prop>, Garrison Dental, Spring Lake, MI (undated).

(Continued)

Primary Examiner — Wan Laymon

Assistant Examiner — Clint A Samuel

(74) *Attorney, Agent, or Firm* — Price Heneveld LLP

(57) **CLAIM**

The ornamental design for a dental accessory for holding a saliva ejection tube, as shown and described.

DESCRIPTION

FIG. 1 is a front perspective view of a dental accessory for holding a saliva ejection tube according to a first embodiment of my design;

FIG. 2 is a front elevational view thereof;

FIG. 3 is a rear elevational view thereof;

FIG. 4 is a first side elevational view thereof;

FIG. 5 is a second side elevational view thereof;

FIG. 6 is a top elevational view thereof;

FIG. 7 is a bottom elevational view thereof;

FIG. 8 is a front perspective view of a dental accessory for holding a saliva ejection tube according to a second embodiment of my design;

FIG. 9 is a front elevational view thereof;

FIG. 10 is a rear elevational view thereof;

FIG. 11 is a first side elevational view thereof;

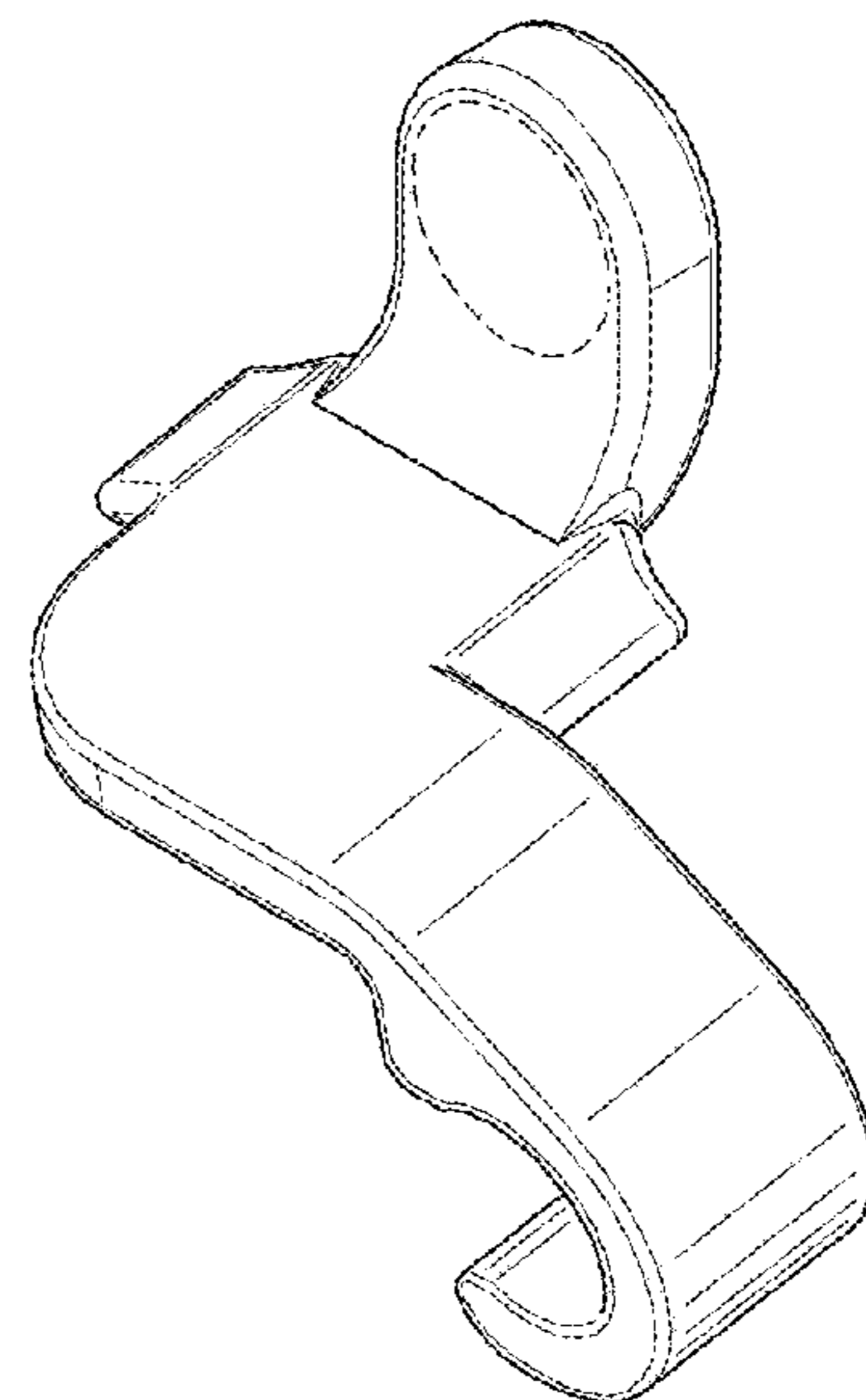
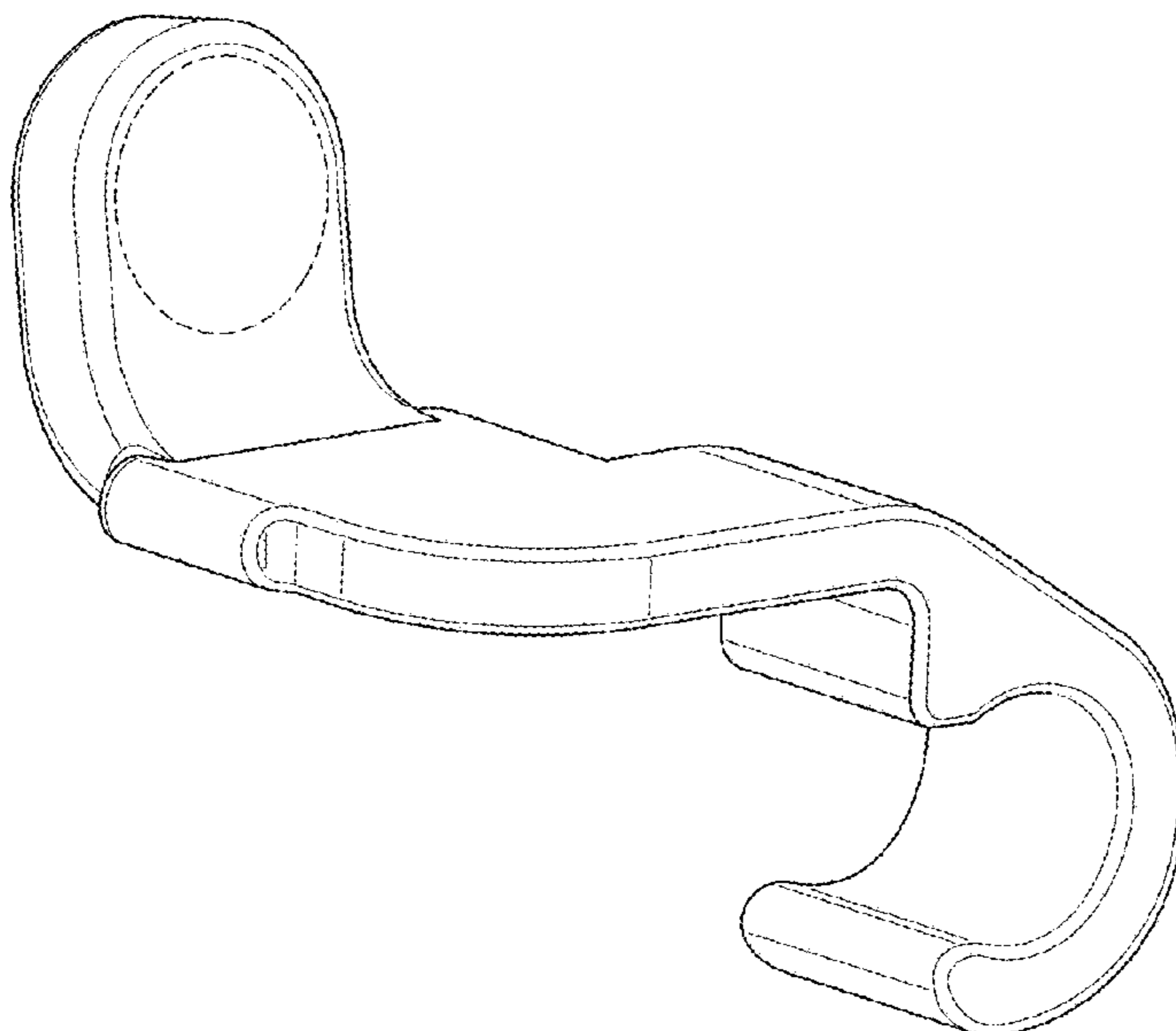
FIG. 12 is a second side elevational view thereof;

FIG. 13 is a top elevational view thereof; and,

FIG. 14 is a bottom elevational view thereof.

The broken line showing of various features is for the purpose of illustrating unclaimed portions of the dental accessory for holding a saliva ejection tube and forms no part of the claimed design.

1 Claim, 8 Drawing Sheets



(56)

References Cited

U.S. PATENT DOCUMENTS

3,924,333 A 12/1975 Erickson
 4,017,975 A 4/1977 Johnson
 4,024,859 A 5/1977 Slepyan et al.
 4,112,936 A 9/1978 Blachly
 4,215,984 A 8/1980 Reichley
 4,310,308 A 1/1982 Oien
 4,425,911 A 1/1984 Luomanen et al.
 4,495,945 A 1/1985 Liegner
 D292,123 S * 9/1987 Armstrong D24/180
 5,071,347 A * 12/1991 McGuire A61C 19/001
 433/91
 5,078,602 A 1/1992 Honoshofsky
 5,097,820 A 3/1992 Shulman et al.
 5,386,821 A 2/1995 Poterack
 5,421,327 A 6/1995 Flynn et al.
 D370,732 S * 6/1996 Smith D24/161
 5,590,643 A * 1/1997 Flam A61M 16/0488
 128/200.26
 5,733,121 A 3/1998 Goode
 5,740,791 A 4/1998 Aves
 5,762,496 A * 6/1998 Albertsson A61C 17/043
 433/93
 6,098,627 A 8/2000 Kellner et al.
 6,102,701 A * 8/2000 Engeron A61C 5/14
 433/140
 D440,654 S * 4/2001 Mark D24/119
 D441,073 S * 4/2001 Mark D24/119
 6,241,521 B1 6/2001 Garrison
 6,474,332 B2 11/2002 Arndt
 6,652,276 B2 11/2003 Fischer et al.
 6,655,960 B2 12/2003 Fischer
 6,675,808 B2 1/2004 Karasic
 6,716,029 B2 4/2004 Fischer et al.
 D495,799 S * 9/2004 Hirsch D24/108
 7,066,735 B1 6/2006 Gasporra
 7,712,468 B2 5/2010 Hargadon
 7,780,445 B2 8/2010 Keles
 7,785,105 B2 8/2010 Anderson
 7,887,483 B2 2/2011 Rosenberg
 D639,959 S 6/2011 Westerlund
 8,083,672 B2 12/2011 Minson
 8,197,402 B1 6/2012 Cedeno
 D666,726 S 9/2012 Davis et al.
 8,430,095 B2 4/2013 Inoue et al.
 8,535,056 B2 9/2013 Dragan et al.

8,656,925 B2 2/2014 Davis et al.
 8,684,919 B2 4/2014 Anca et al.
 8,770,189 B2 7/2014 Colman et al.
 8,820,320 B2 9/2014 Filipi et al.
 8,870,568 B1 10/2014 Ream
 D721,811 S * 1/2015 Zakhem D24/180
 D753,818 S * 4/2016 Maguire D24/110.5
 D762,856 S * 8/2016 Steward, Jr. D24/161
 2001/0015206 A1 8/2001 Arndt
 2001/0039949 A1 * 11/2001 Loubser A61B 1/00103
 128/200.26
 2006/0042637 A1 3/2006 Martin et al.
 2007/0068535 A1 3/2007 Colman et al.
 2008/0053434 A1 3/2008 Wightman et al.
 2008/0156322 A1 * 7/2008 Isenberg A61M 16/0488
 128/200.26
 2008/0318183 A1 12/2008 Suzman
 2010/0129767 A1 5/2010 Fishburne, Jr.
 2010/0132700 A1 6/2010 Filipi et al.
 2010/0262033 A1 10/2010 Colman et al.
 2010/0317987 A1 12/2010 Inoue et al.
 2011/0251467 A1 10/2011 Poch Marti
 2012/0228528 A1 9/2012 Koo
 2013/0104912 A1 5/2013 Davis et al.
 2013/0245367 A1 9/2013 Tucker
 2013/0270878 A1 10/2013 Adachi et al.
 2013/0323670 A1 12/2013 Okuda et al.
 2014/0007868 A1 * 1/2014 Eaton A61M 16/0488
 128/200.26
 2014/0114132 A1 * 4/2014 De Domenico A61B 1/267
 600/188
 2014/0275803 A1 9/2014 Cushner et al.
 2014/0332009 A1 11/2014 Haider et al.
 2015/0013672 A1 * 1/2015 Abdoue A61M 16/0495
 128/200.26
 2015/0157821 A1 * 6/2015 Manecke A61M 16/0434
 600/114
 2016/0242885 A1 8/2016 Dickie et al.
 2016/0270878 A1 * 9/2016 Fulton, III A61B 1/24

OTHER PUBLICATIONS

Olight SR52 Intimidator CREE XM-L2 LED Flashlight, <https://www.amazon.com/Olight-Intimidator-XM-L-2-Flashlight-Black/dp/B00KLM4M4S> . . . (Jun. 29, 2016).

* cited by examiner

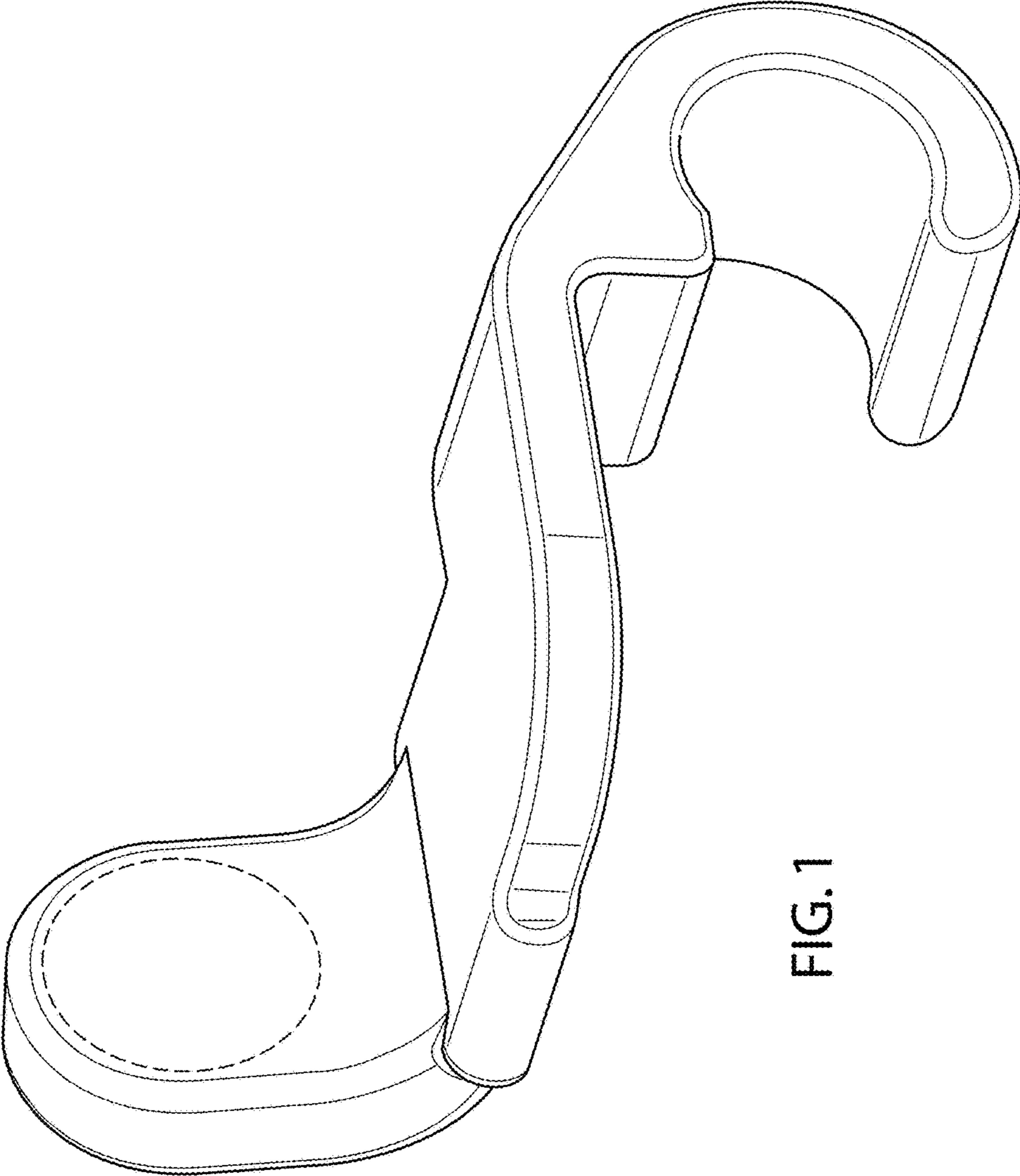


FIG. 1

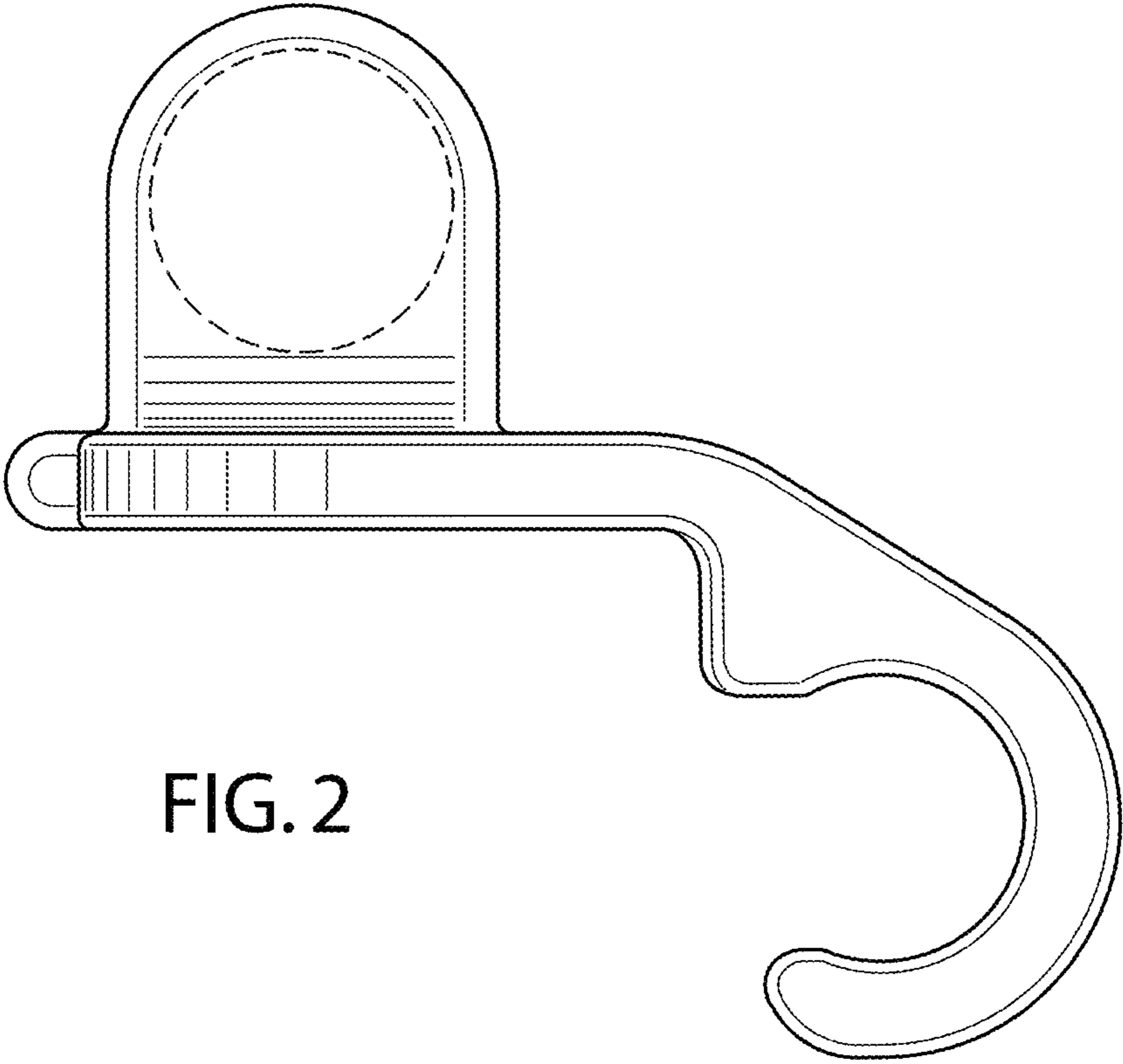


FIG. 2

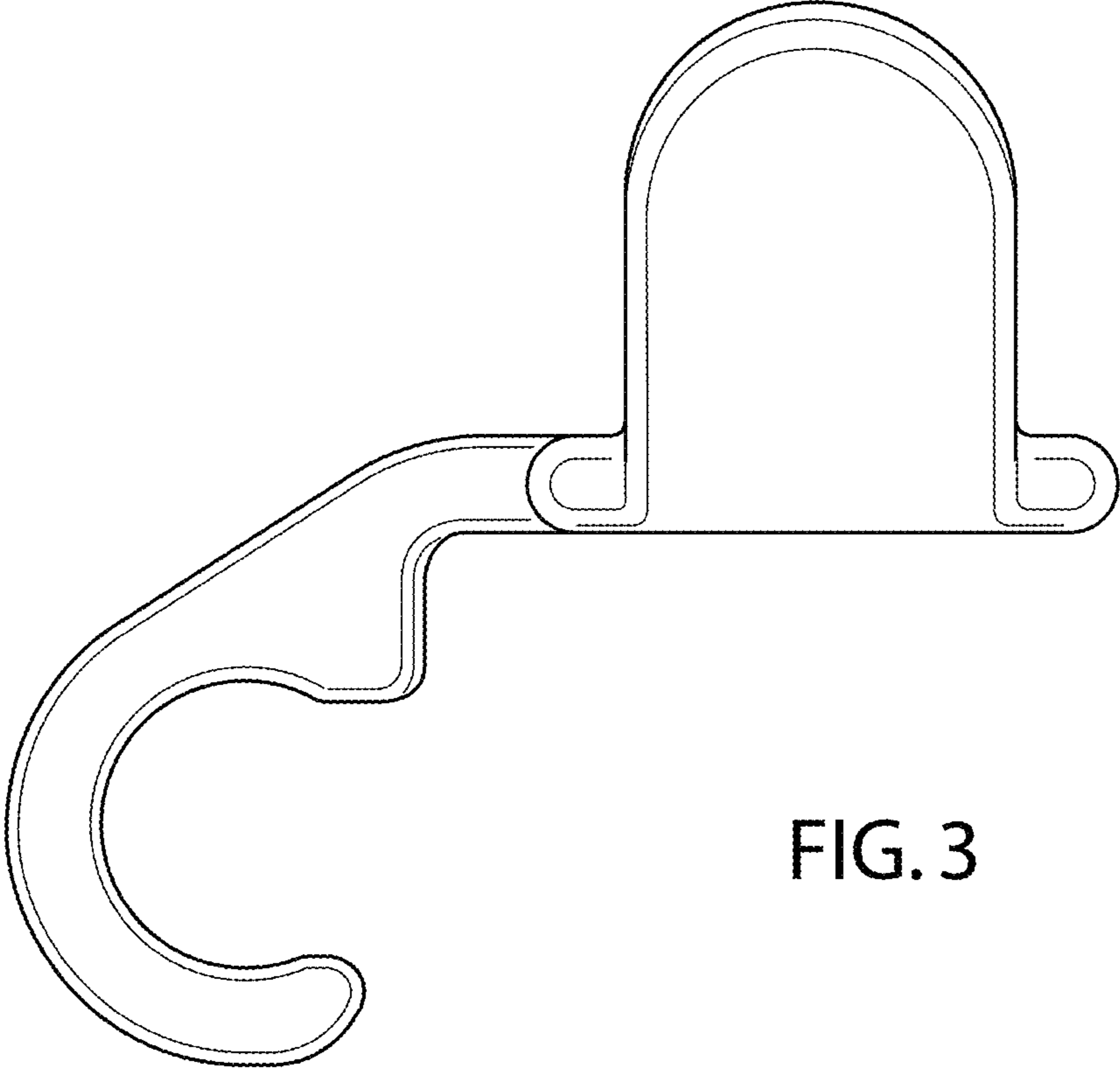


FIG. 3

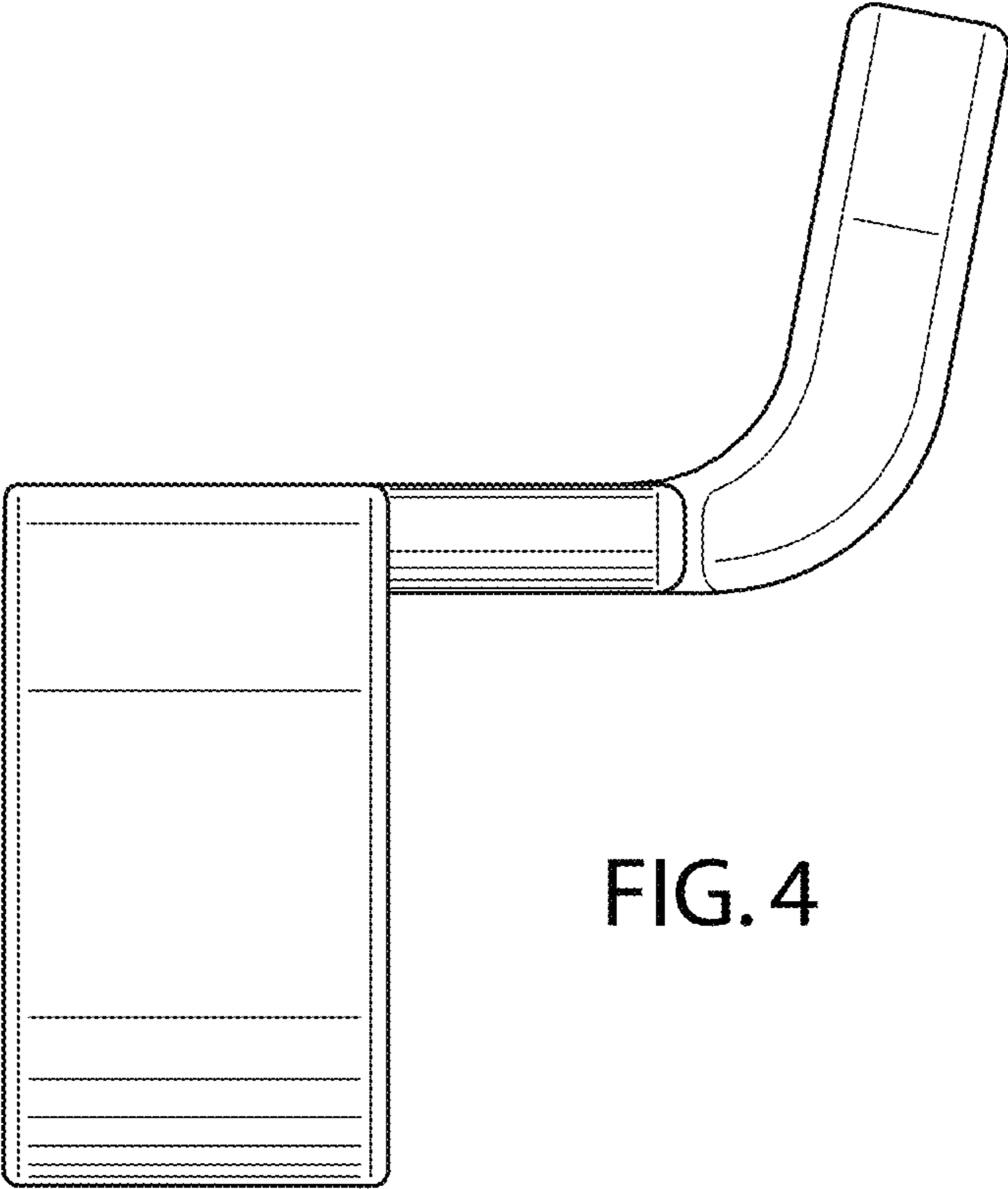


FIG. 4

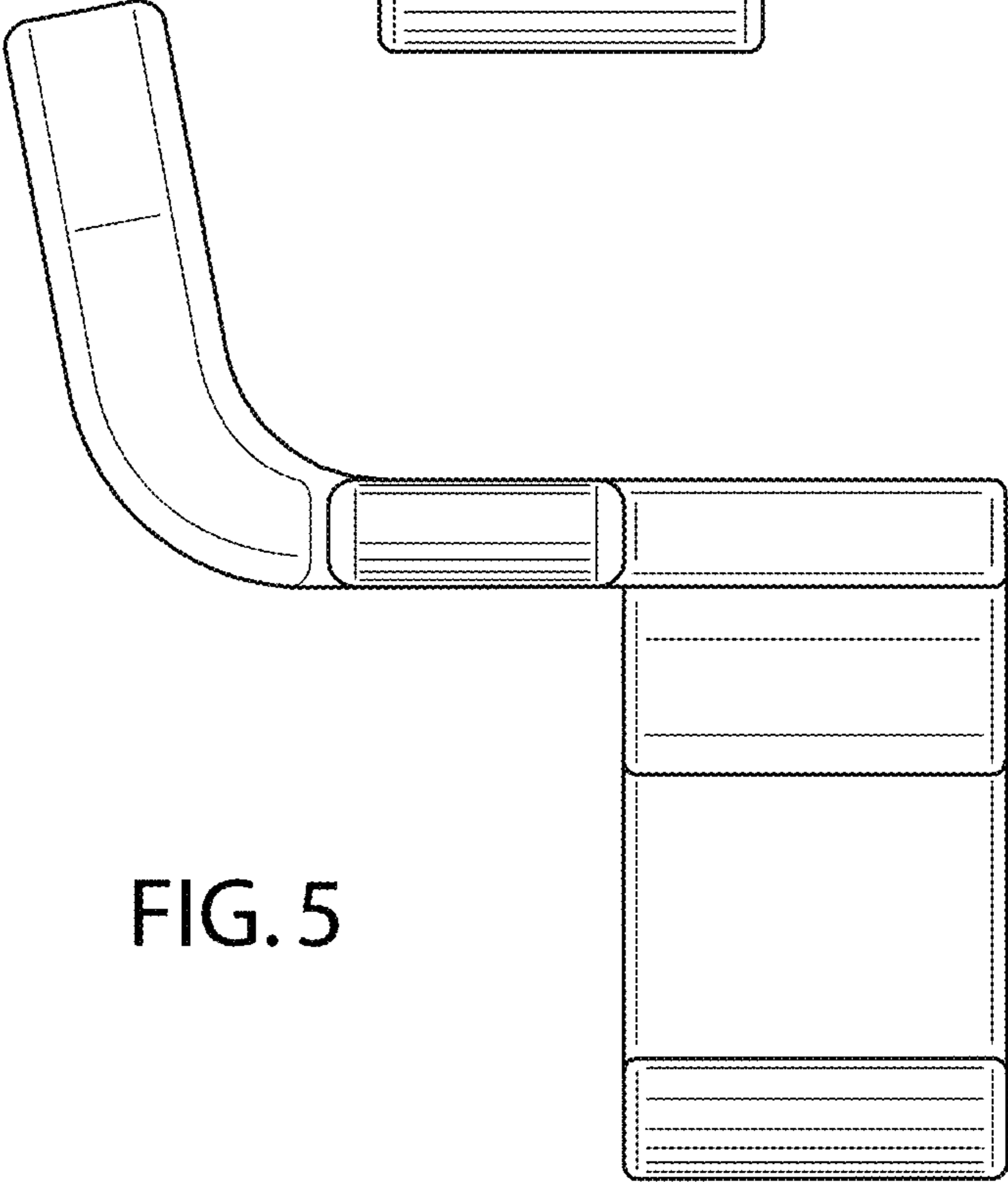


FIG. 5

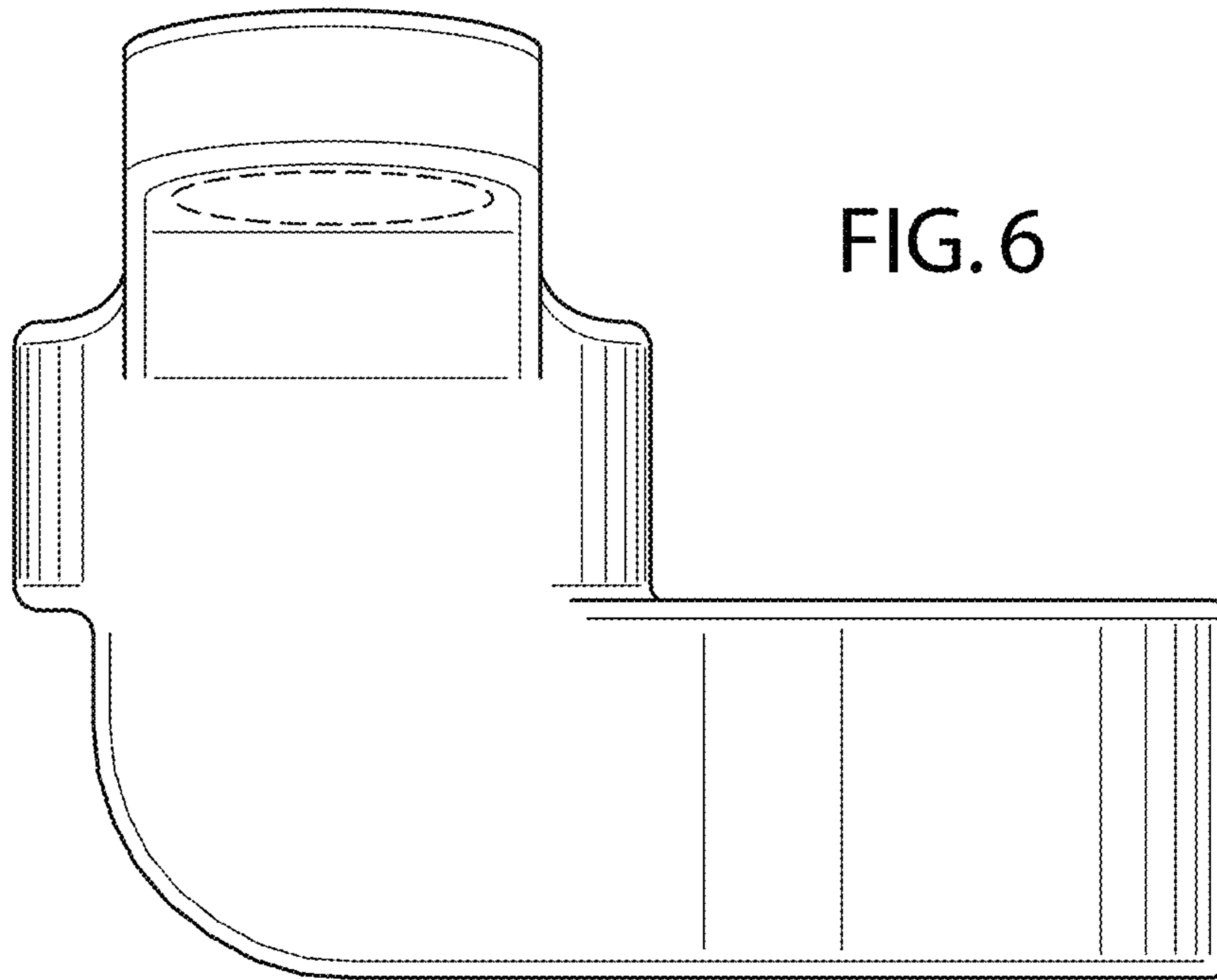


FIG. 6

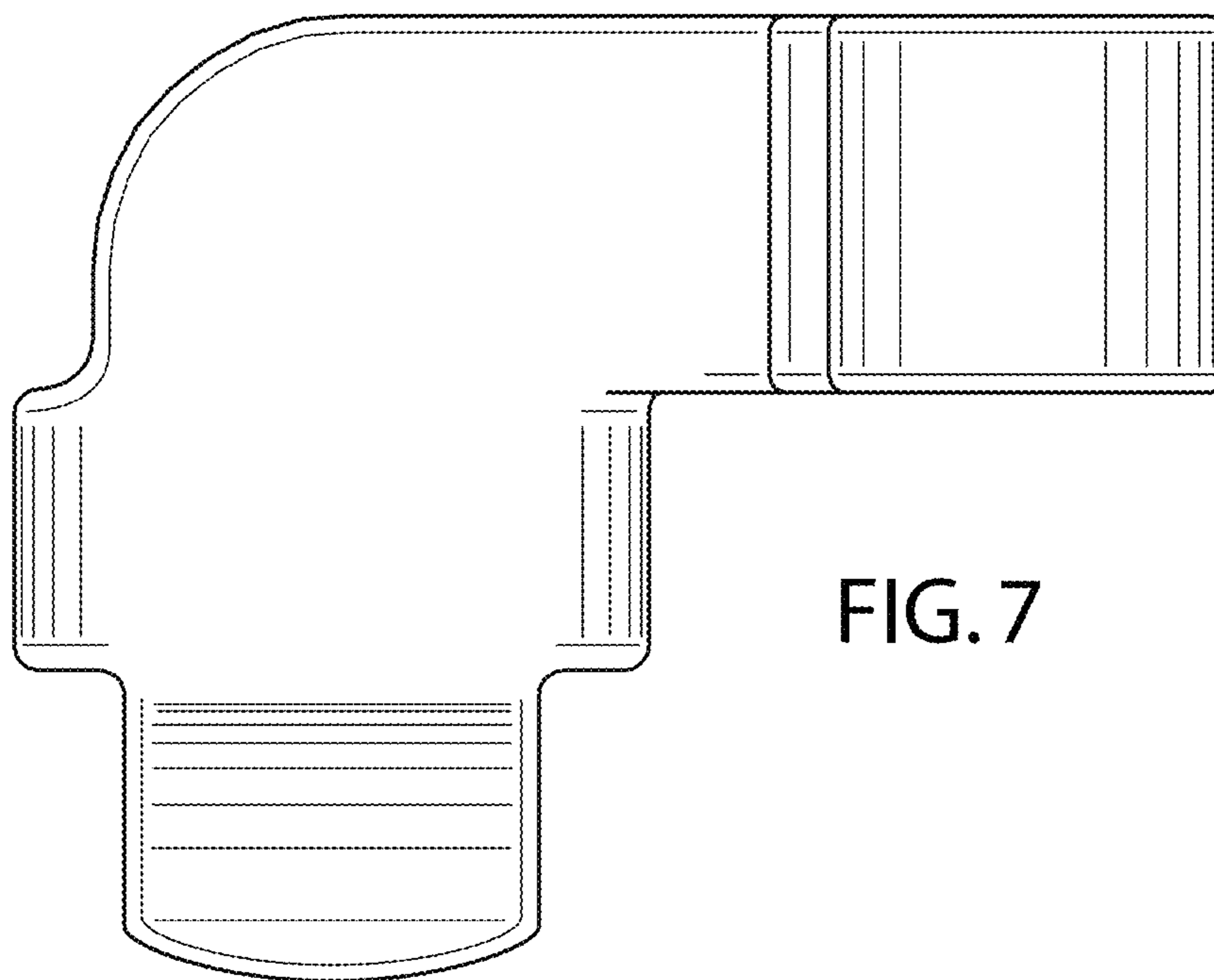


FIG. 7

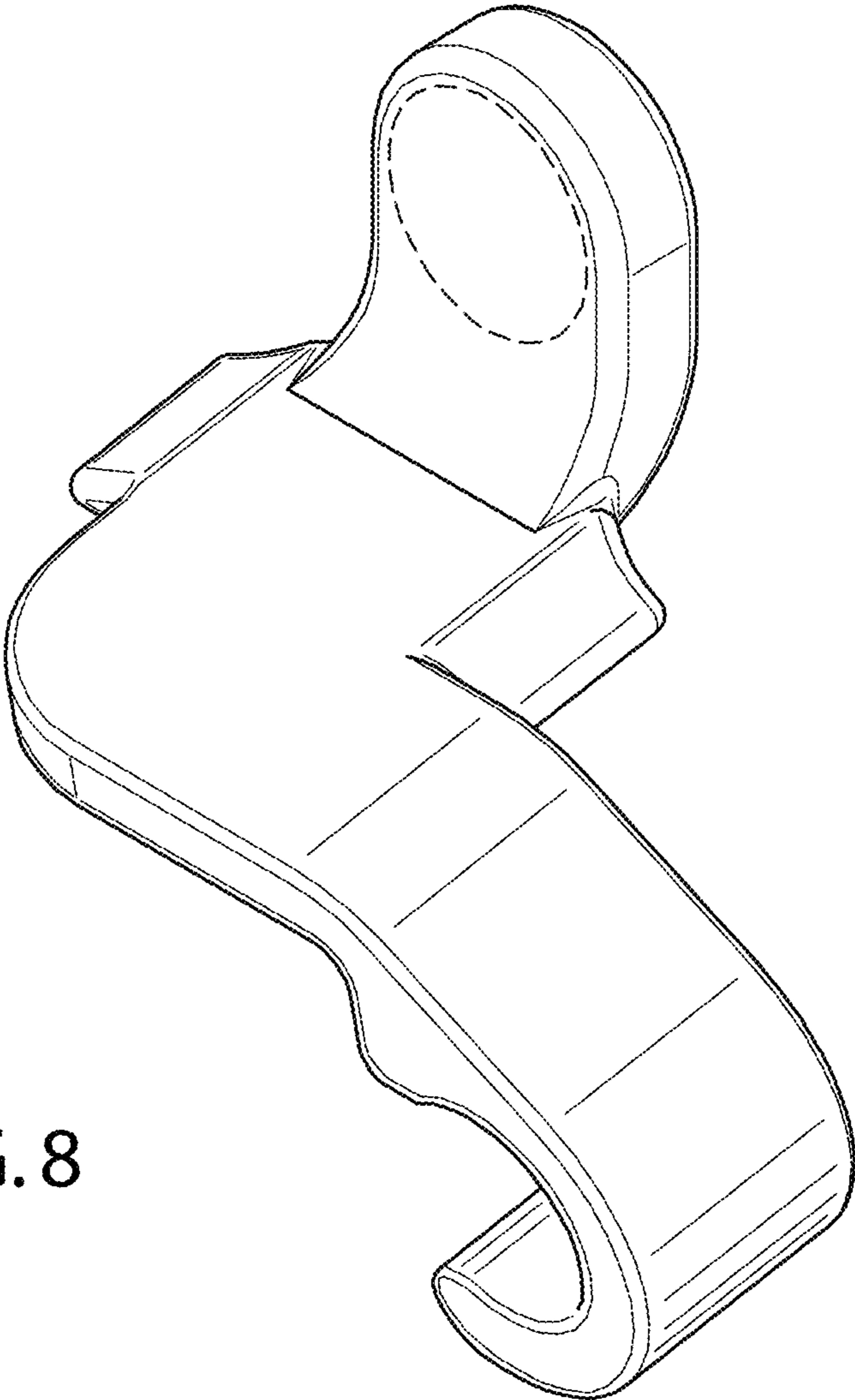


FIG. 8

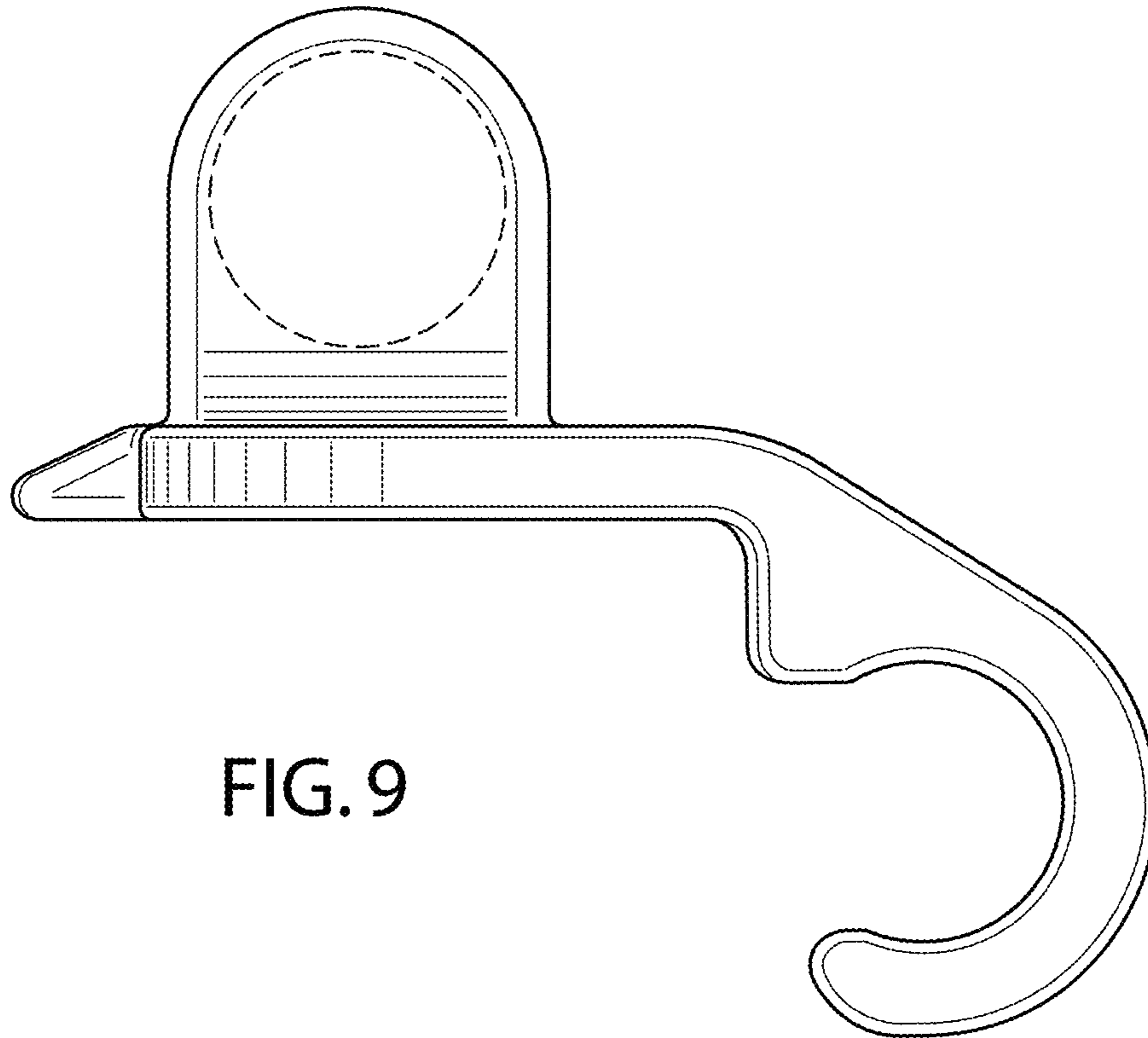


FIG. 9

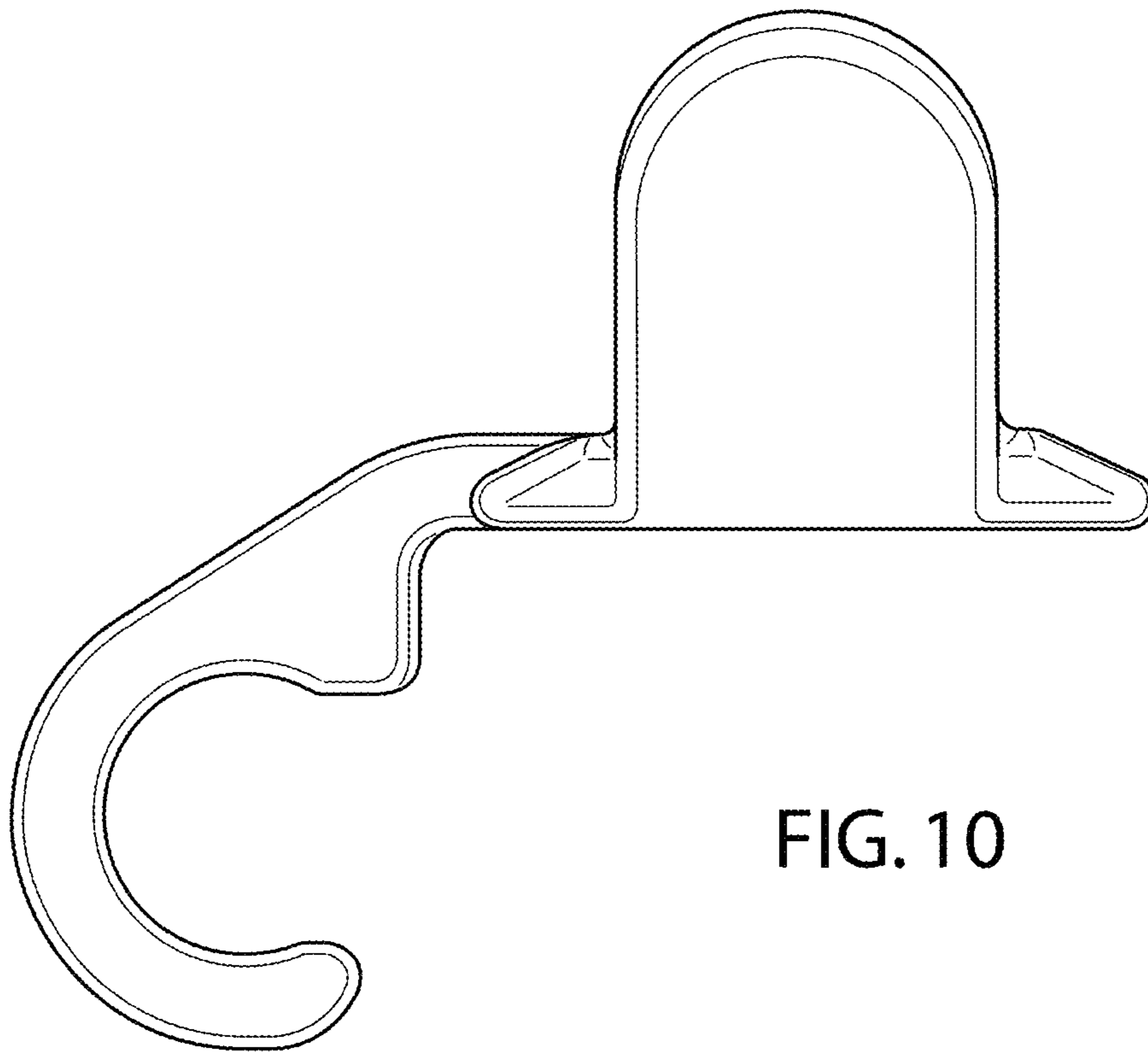


FIG. 10

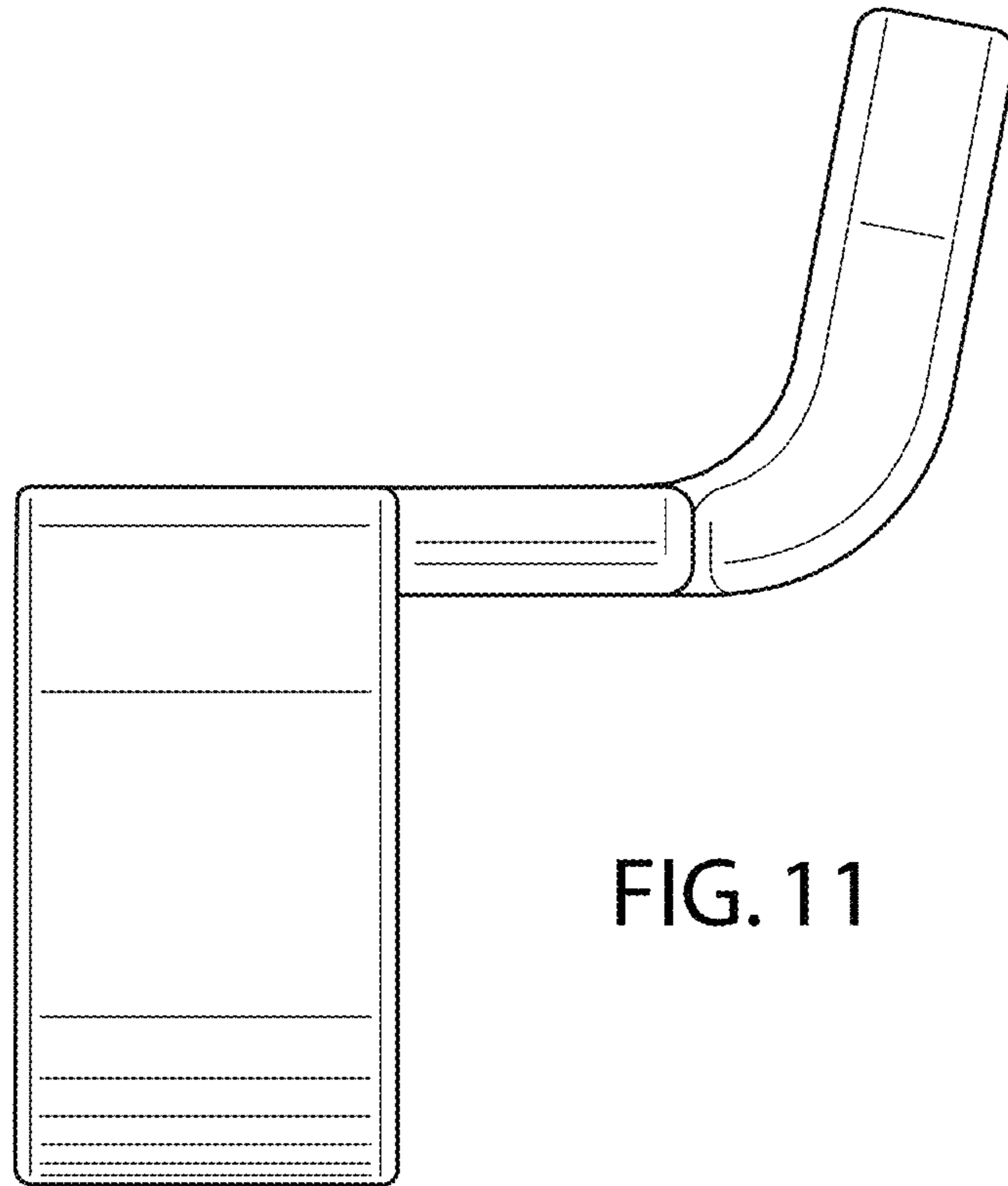


FIG. 11

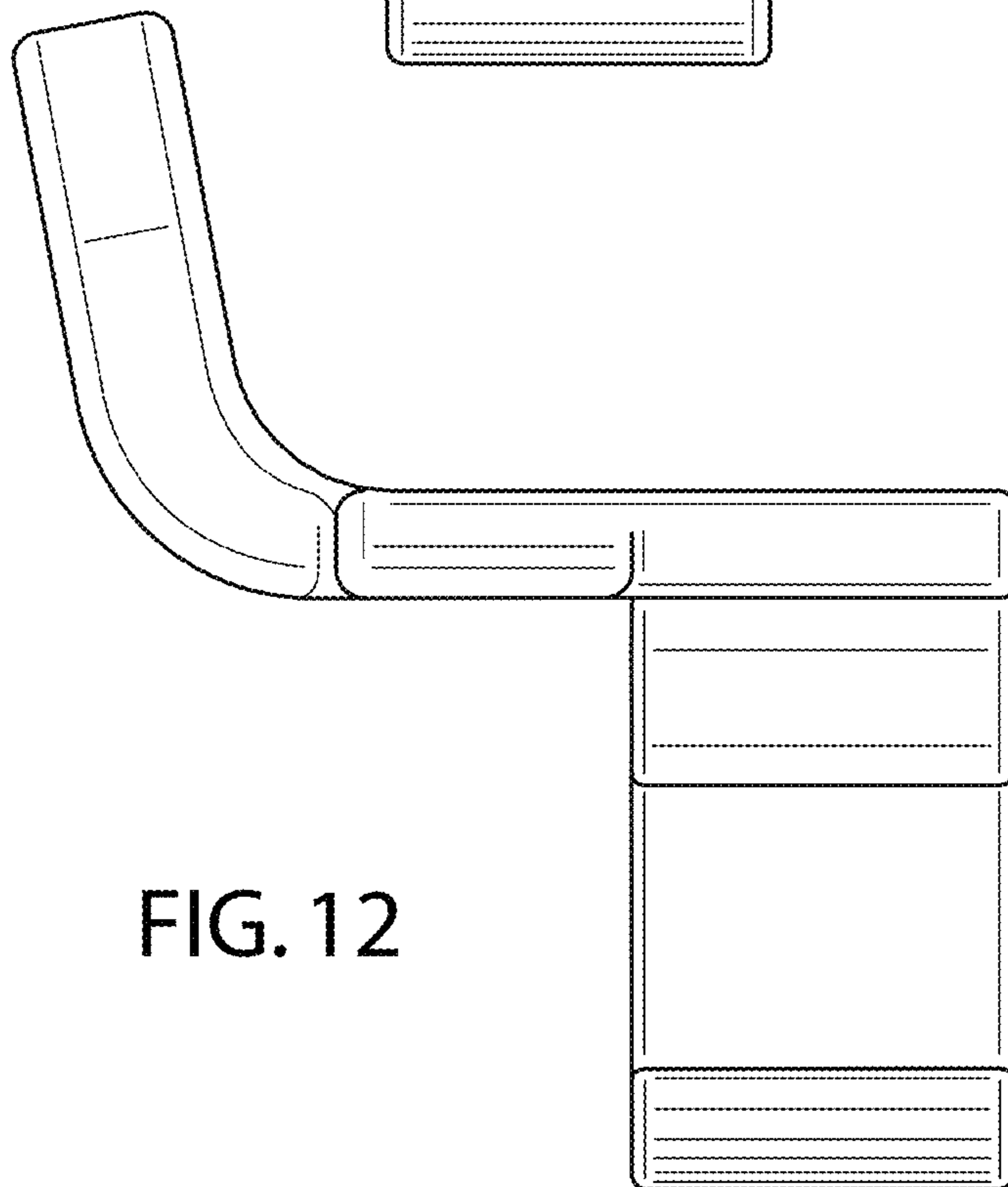


FIG. 12

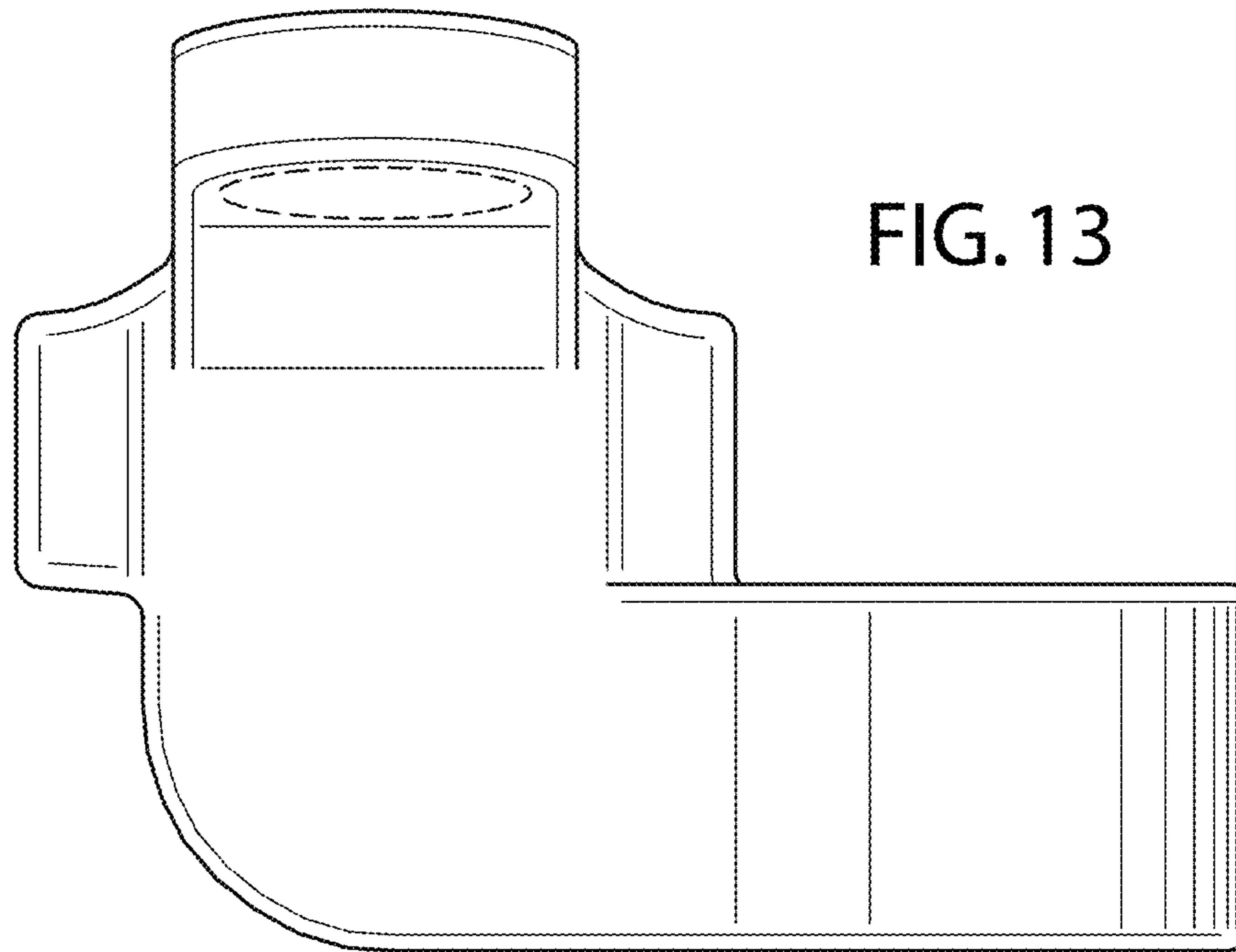


FIG. 13

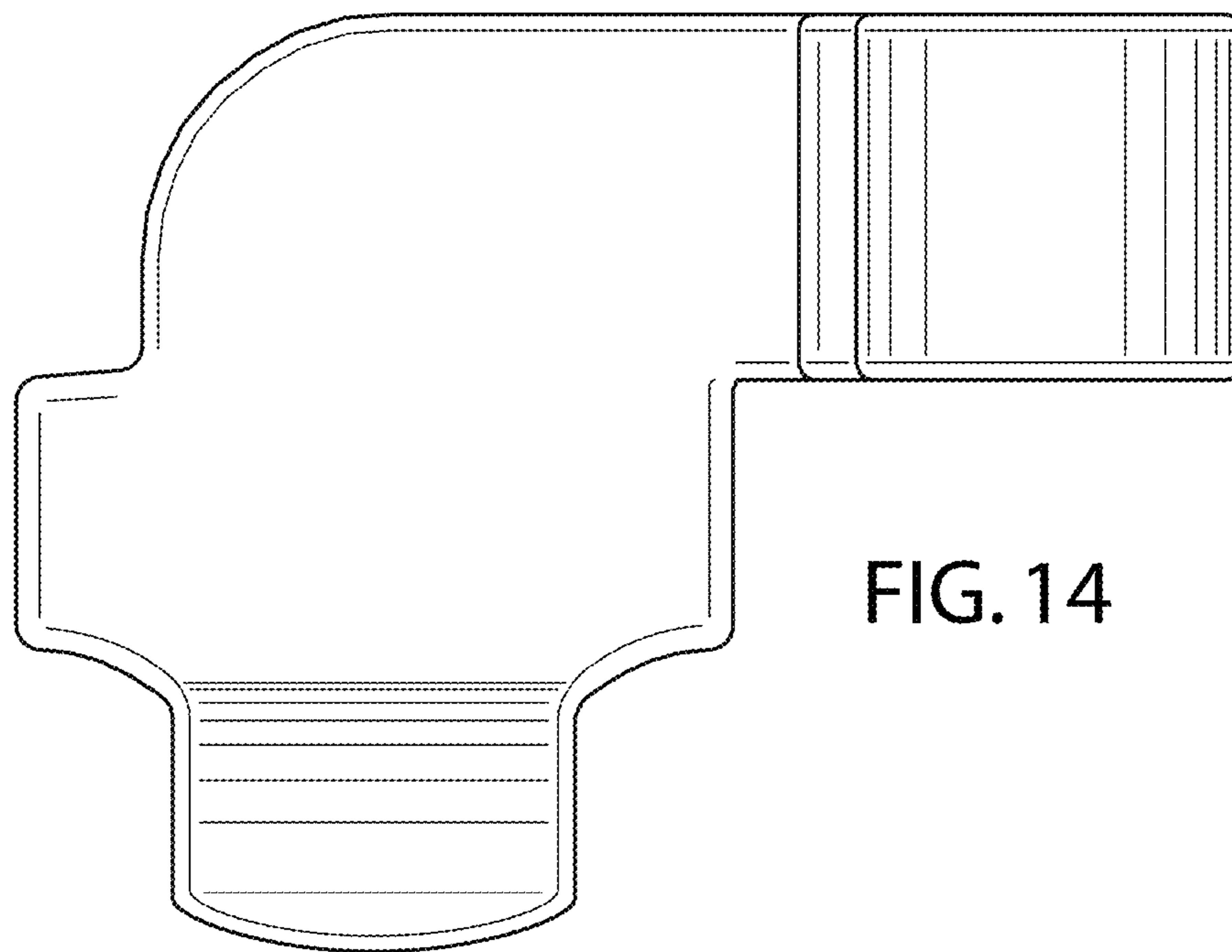


FIG. 14