



US00D782046S

(12) **United States Design Patent**
McQuilton

(10) **Patent No.:** **US D782,046 S**
(45) **Date of Patent:** **** Mar. 21, 2017**

(54) **MOBILE EQUIPOISE ORTHOTIC DEVICE**
(71) Applicant: **Specialised Orthotic Services Limited**,
Burton-on-Trent, Staffordshire (GB)
(72) Inventor: **Gordon McQuilton**, Burton-on-Trent
(GB)
(73) Assignee: **SPECIALISED ORTHOTIC**
SERVICES, LIMITED, Burton-on-
Trent (GB)

D659,250 S * 5/2012 Cottrell D24/183
D664,256 S * 7/2012 Dennewald D24/183
D665,503 S * 8/2012 Dennewald D24/183
D676,971 S * 2/2013 Sharps D24/184
D683,032 S * 5/2013 Sharps D24/184
D733,897 S * 7/2015 Rossouw D24/184
D735,871 S * 8/2015 Deardorf D24/183
D755,313 S * 5/2016 Dima D21/687
D764,062 S * 8/2016 Dennewald A47G 9/1081
D24/183
2015/0173524 A1* 6/2015 McQuilton A47C 20/02
5/652.1

(**) Term: **15 Years**

(21) Appl. No.: **29/554,619**

(22) Filed: **Feb. 12, 2016**

(30) **Foreign Application Priority Data**

Aug. 28, 2015 (EM) 002762336-0002

(51) **LOC (10) Cl.** **24-00**

(52) **U.S. Cl.**
USPC **D24/171**

(58) **Field of Classification Search**
USPC D24/171, 183, 140, 184; D3/7; D21/687;
135/68; 52/287.1; 5/652.1
CPC A61H 3/00; A47C 20/02; E04F 19/0436;
A47G 9/1081
See application file for complete search history.

(56) **References Cited**

U.S. PATENT DOCUMENTS

3,986,502 A * 10/1976 Gilson A61H 3/00
135/68
5,819,485 A * 10/1998 Lane E04F 19/0436
52/287.1
D577,188 S * 9/2008 Koshiishi D3/7
D584,819 S * 1/2009 Becerra D24/183
D651,314 S * 12/2011 Habegger D24/140

* cited by examiner

Primary Examiner — Rhea Shields

(74) *Attorney, Agent, or Firm* — Pearne & Gordon LLP

(57) **CLAIM**

The ornamental design for a mobile equipoise orthotic device, as shown and described.

DESCRIPTION

FIG. 1 is a front perspective view of the mobile equipoise orthotic device of the new design.

FIG. 2 is a front view of the mobile equipoise orthotic device.

FIG. 3 is a rear view of the mobile equipoise orthotic device.

FIG. 4 is a left-side view of the mobile equipoise orthotic device.

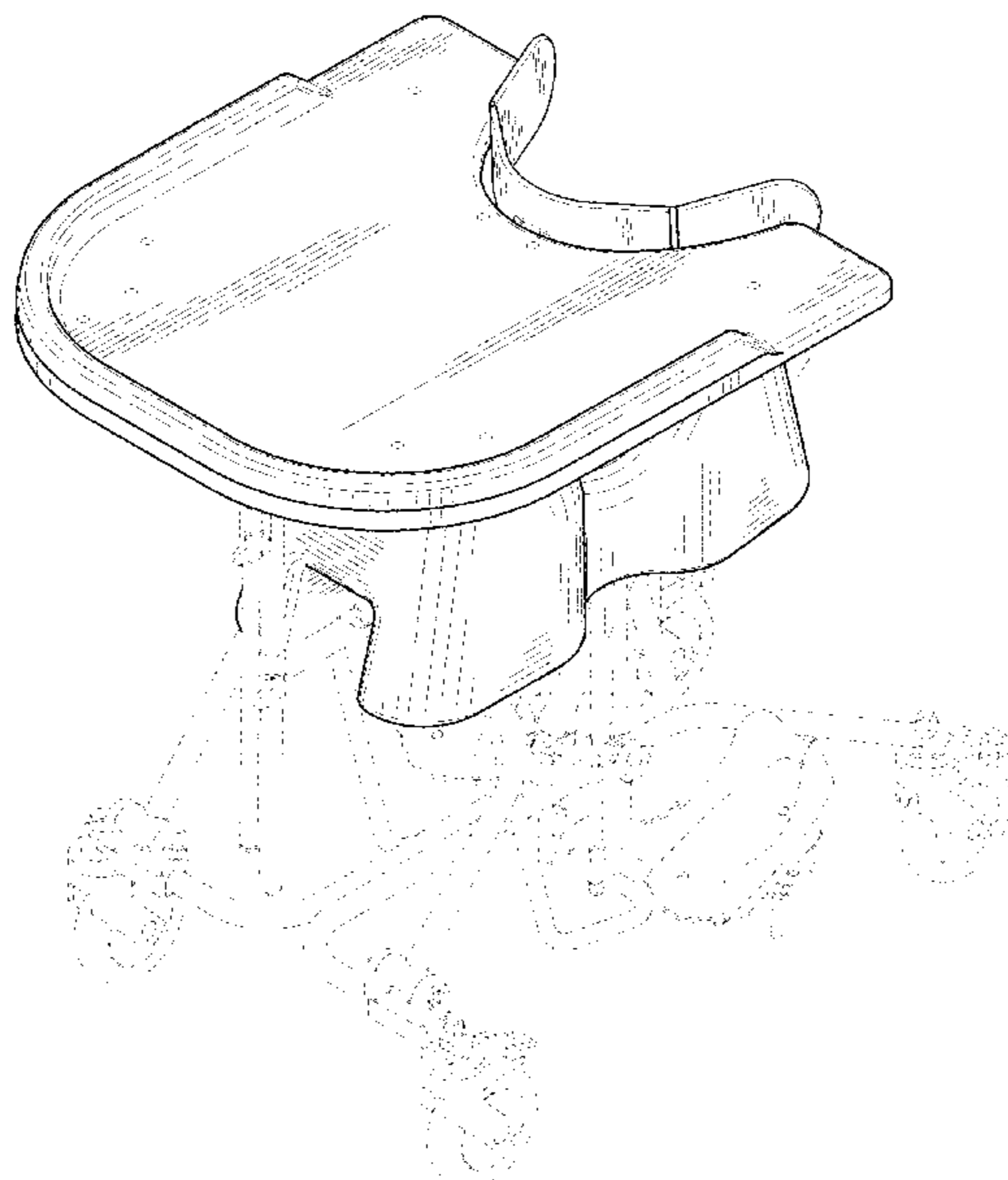
FIG. 5 is a right-side view of the mobile equipoise orthotic device.

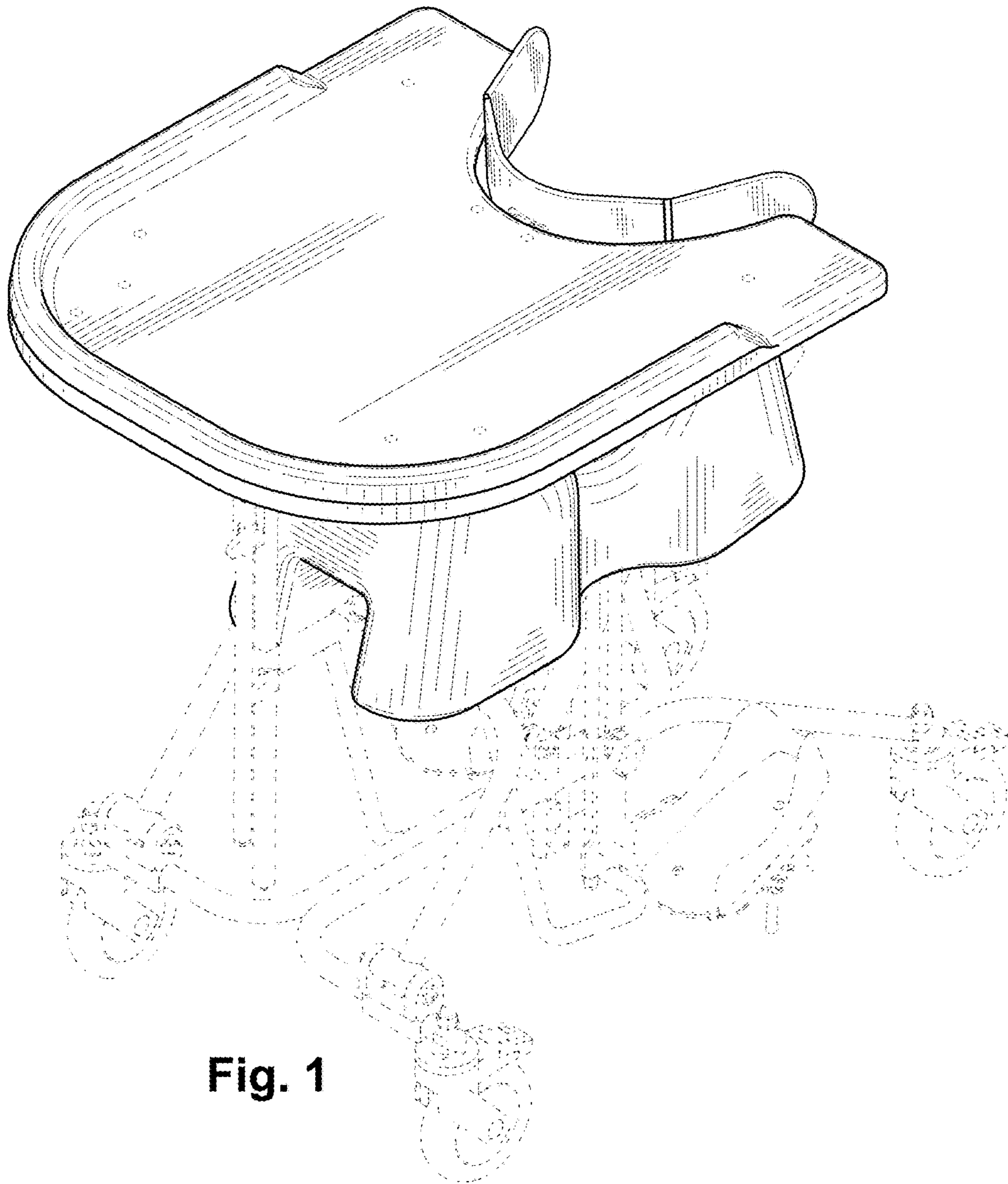
FIG. 6 is a top view of the mobile equipoise orthotic device; and,

FIG. 7 is a bottom view of the mobile equipoise orthotic device.

In the drawings, the broken lines are for the purpose of illustrating environment only and form no part of the claimed design.

1 Claim, 7 Drawing Sheets





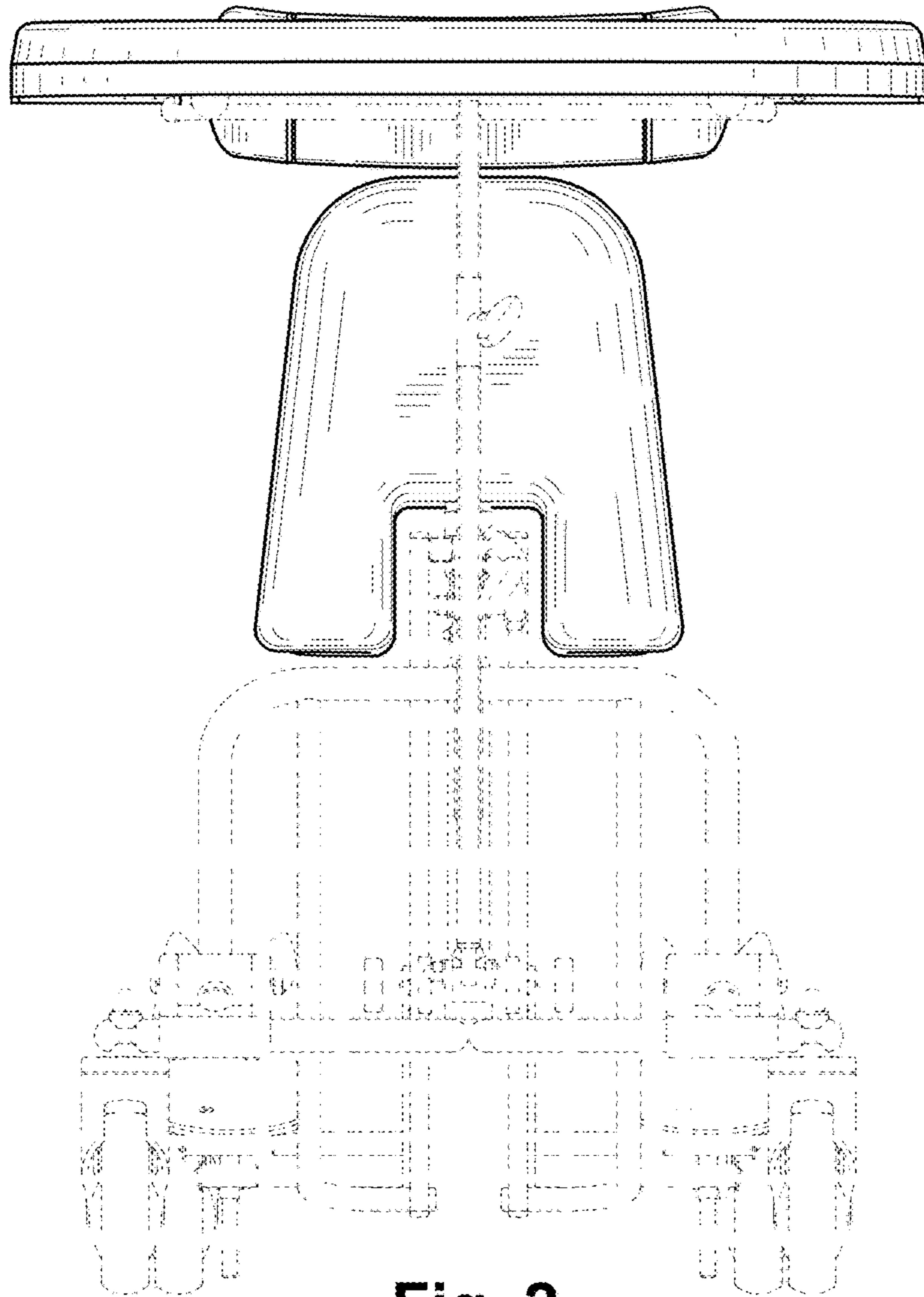


Fig. 2

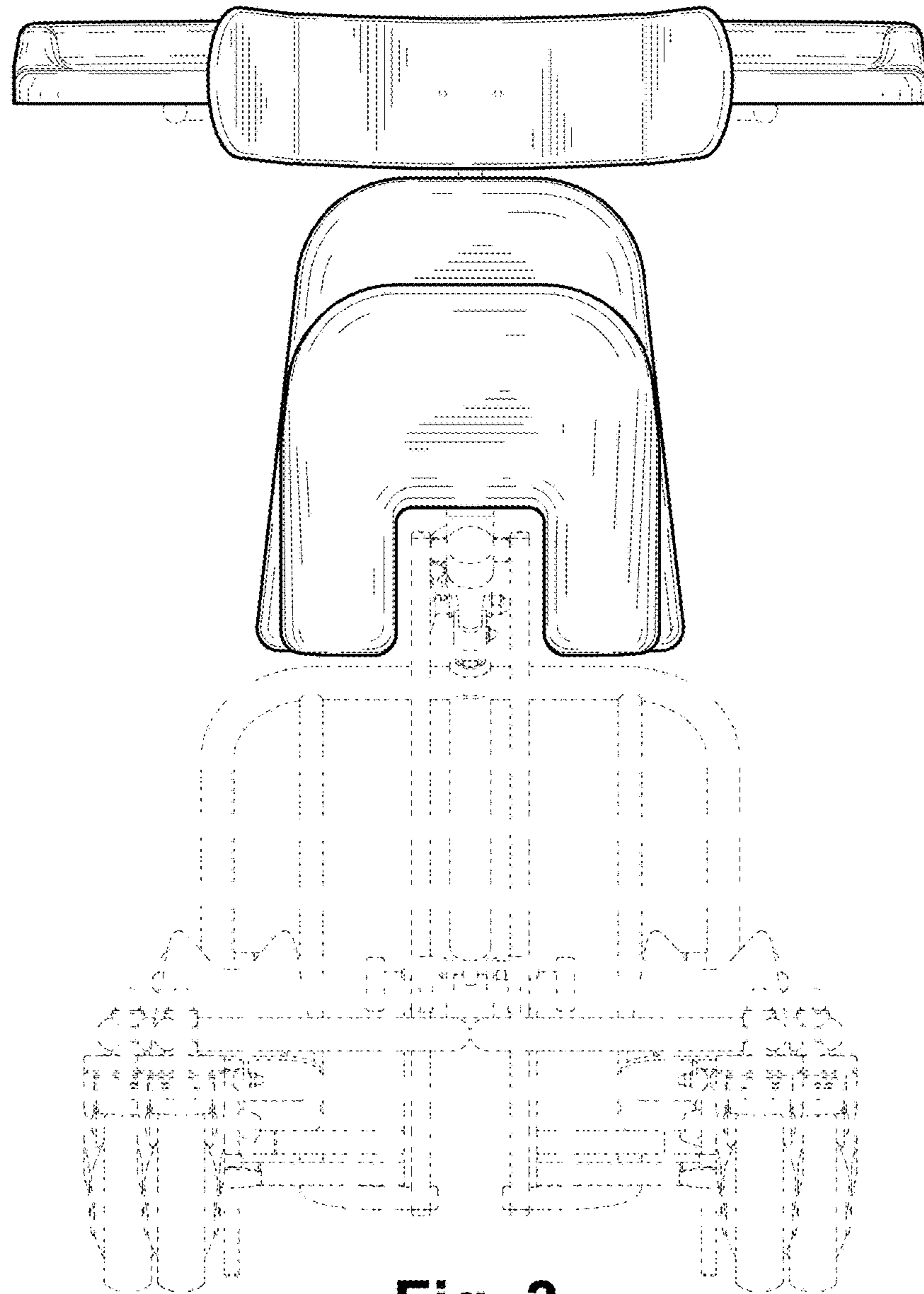


Fig. 3

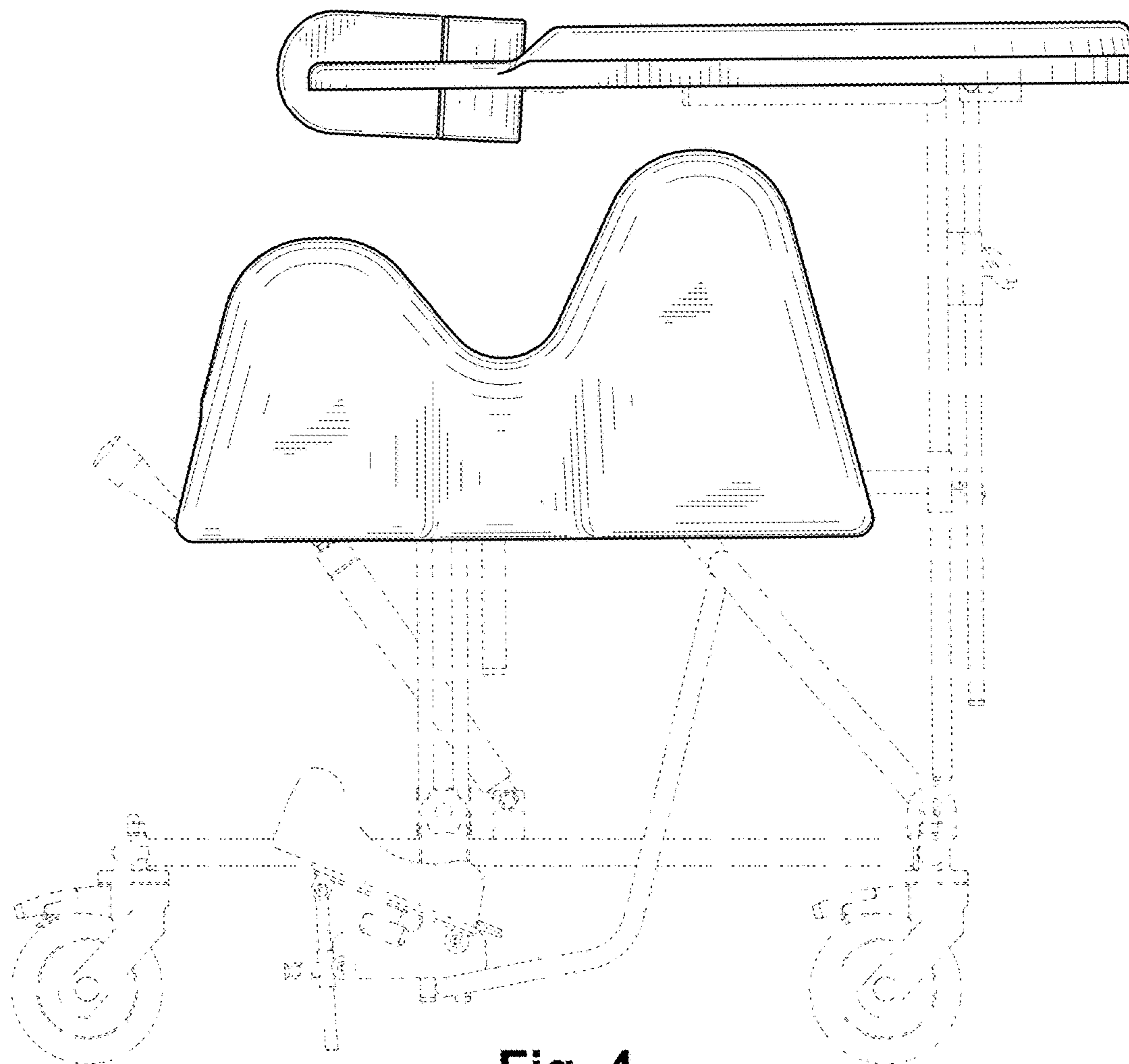


Fig. 4

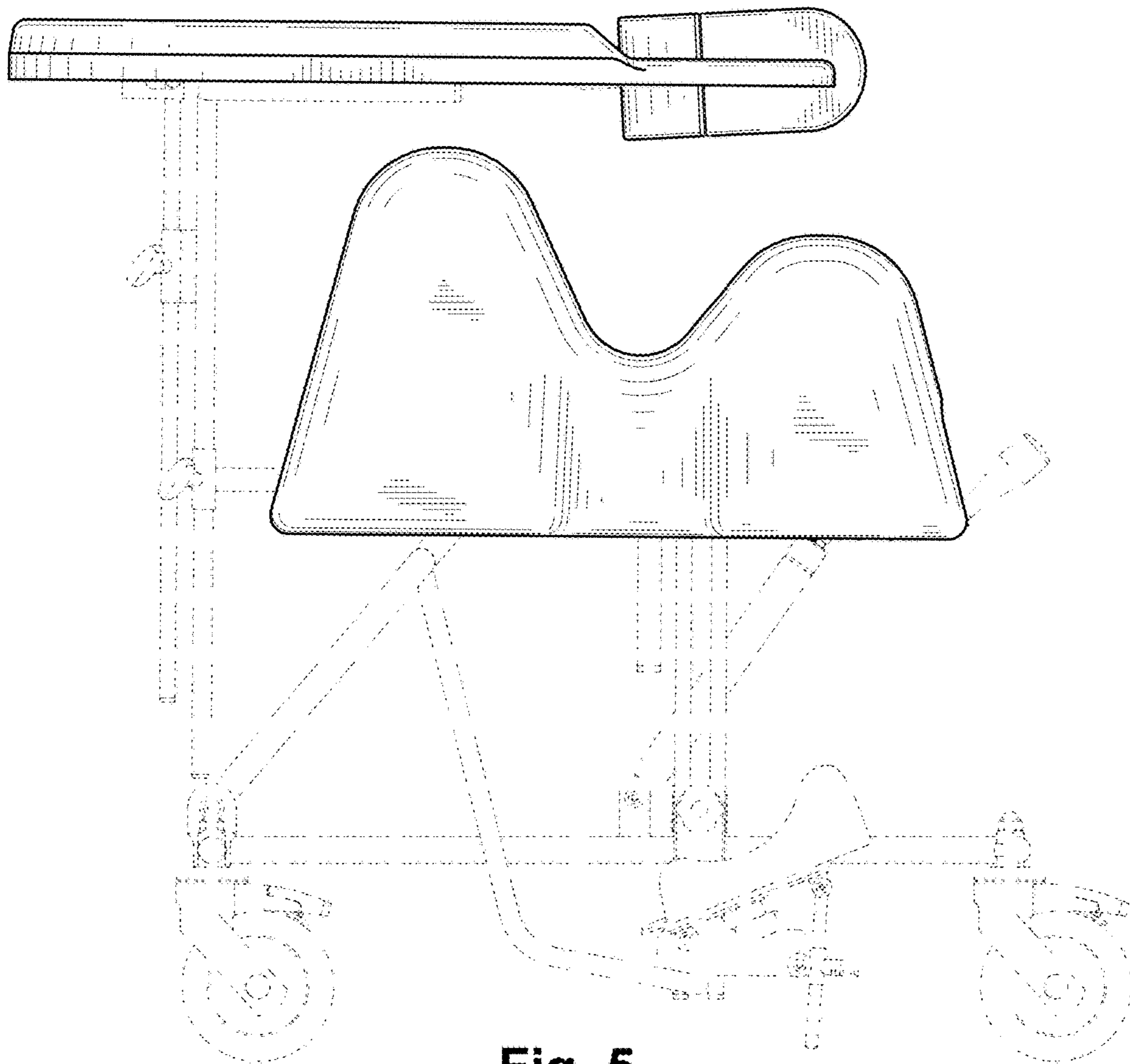


Fig. 5

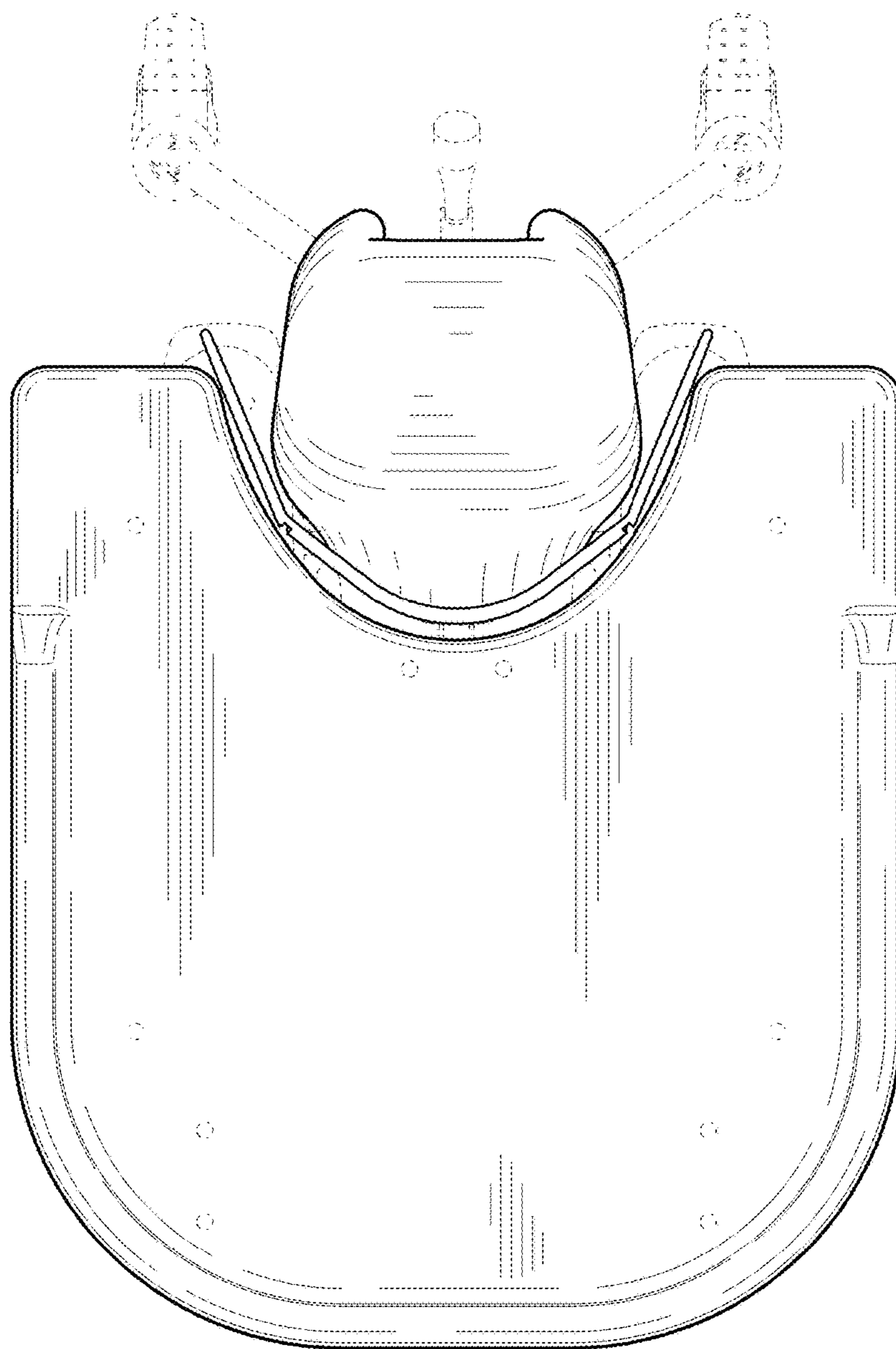


Fig. 6

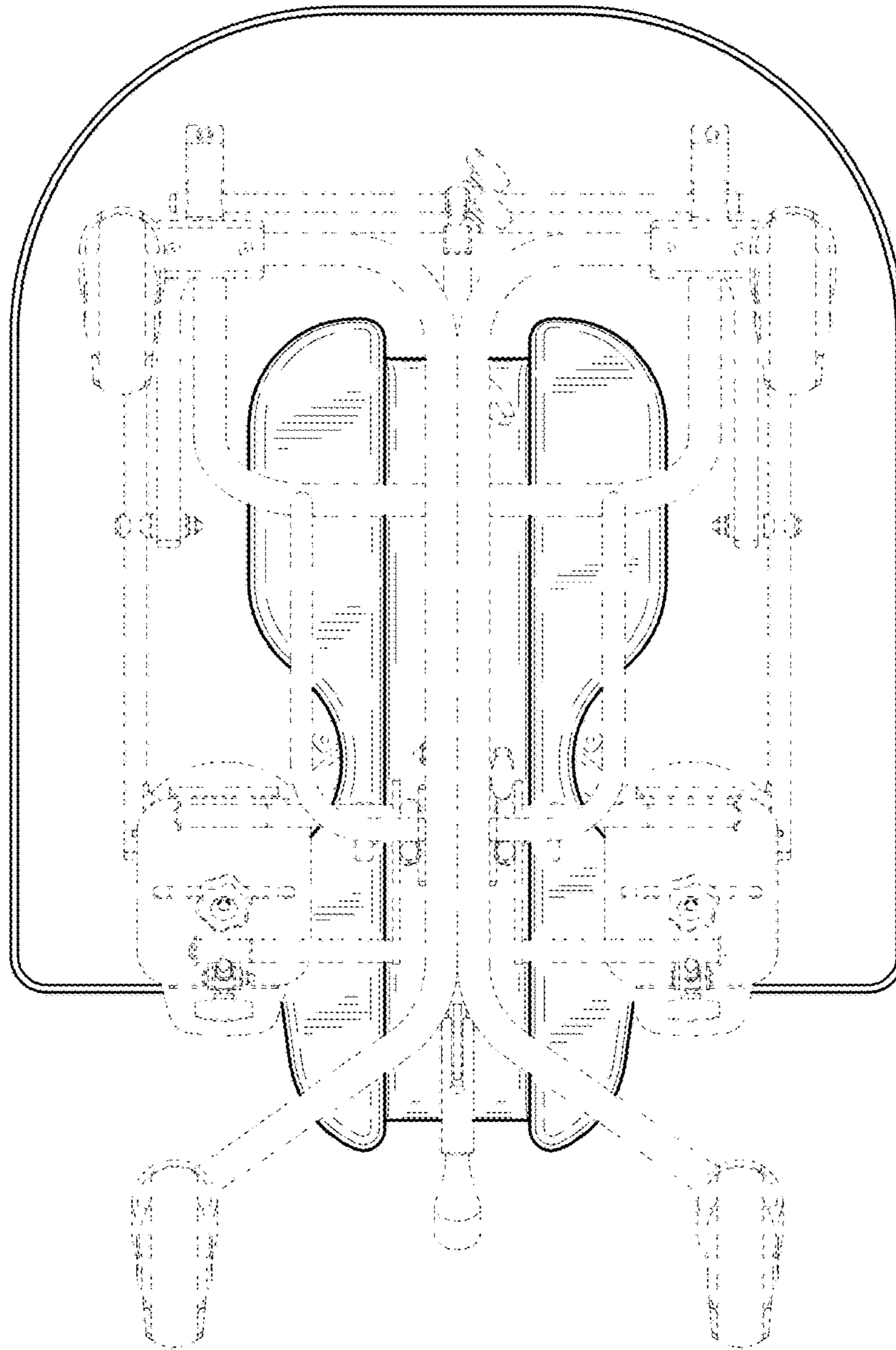


Fig. 7