



US00D782045S

(12) **United States Design Patent**  
**Chou et al.**

(10) **Patent No.:** **US D782,045 S**  
(45) **Date of Patent:** **\*\* Mar. 21, 2017**

(54) **PULSE OXIMETER**

(71) Applicant: **Quanta Computer Inc.**, Taoyuan (TW)

(72) Inventors: **Ya-Chyi Chou**, Taoyuan (TW); **Kao-Yu Hsu**, New Taipei (TW)

(73) Assignee: **Quanta Computer Inc.**, Taoyuan (TW)

(\*\*) Term: **14 Years**

(21) Appl. No.: **29/518,026**

(22) Filed: **Feb. 19, 2015**

(30) **Foreign Application Priority Data**

Dec. 26, 2014 (TW) ..... 103307642

(51) **LOC (10) Cl.** ..... **24-00**

(52) **U.S. Cl.**  
USPC ..... **D24/164**

(58) **Field of Classification Search**  
USPC ..... D24/164, 186, 165, 167, 169; 600/324,  
600/34

CPC ..... H01G 3/0481; H01G 3/22  
See application file for complete search history.

(56) **References Cited**

**U.S. PATENT DOCUMENTS**

- 4,653,498 A \* 3/1987 New, Jr. .... A61B 5/14551  
600/324
- 4,825,879 A \* 5/1989 Tan ..... A61B 5/02427  
600/344

- D463,561 S \* 9/2002 Fukatsu ..... D24/165
- D536,795 S \* 2/2007 Knieriem ..... D24/186
- D603,966 S \* 11/2009 Jones ..... D24/164
- D604,418 S \* 11/2009 Jones ..... D24/165
- D632,397 S \* 2/2011 Edwards ..... D24/186
- D634,846 S \* 3/2011 Vivenzio ..... D24/167
- D635,681 S \* 4/2011 Edwards ..... D24/186
- D643,929 S \* 8/2011 DelloStritto ..... D24/165
- D663,422 S \* 7/2012 Missanelli ..... D24/169
- D668,340 S \* 10/2012 Wang ..... D24/165
- D670,388 S \* 11/2012 Jin ..... D24/165
- D691,726 S \* 10/2013 Jin ..... D24/167

\* cited by examiner

*Primary Examiner* — Rhea Shields

(74) *Attorney, Agent, or Firm* — Rabin & Berdo, P.C.

(57) **CLAIM**

The ornamental design for a pulse oximeter, as shown and described.

**DESCRIPTION**

FIG. 1 is a perspective view of a pulse oximeter showing our new design;

FIG. 2 is a front view thereof;

FIG. 3 is a rear view thereof;

FIG. 4 is a left side view thereof;

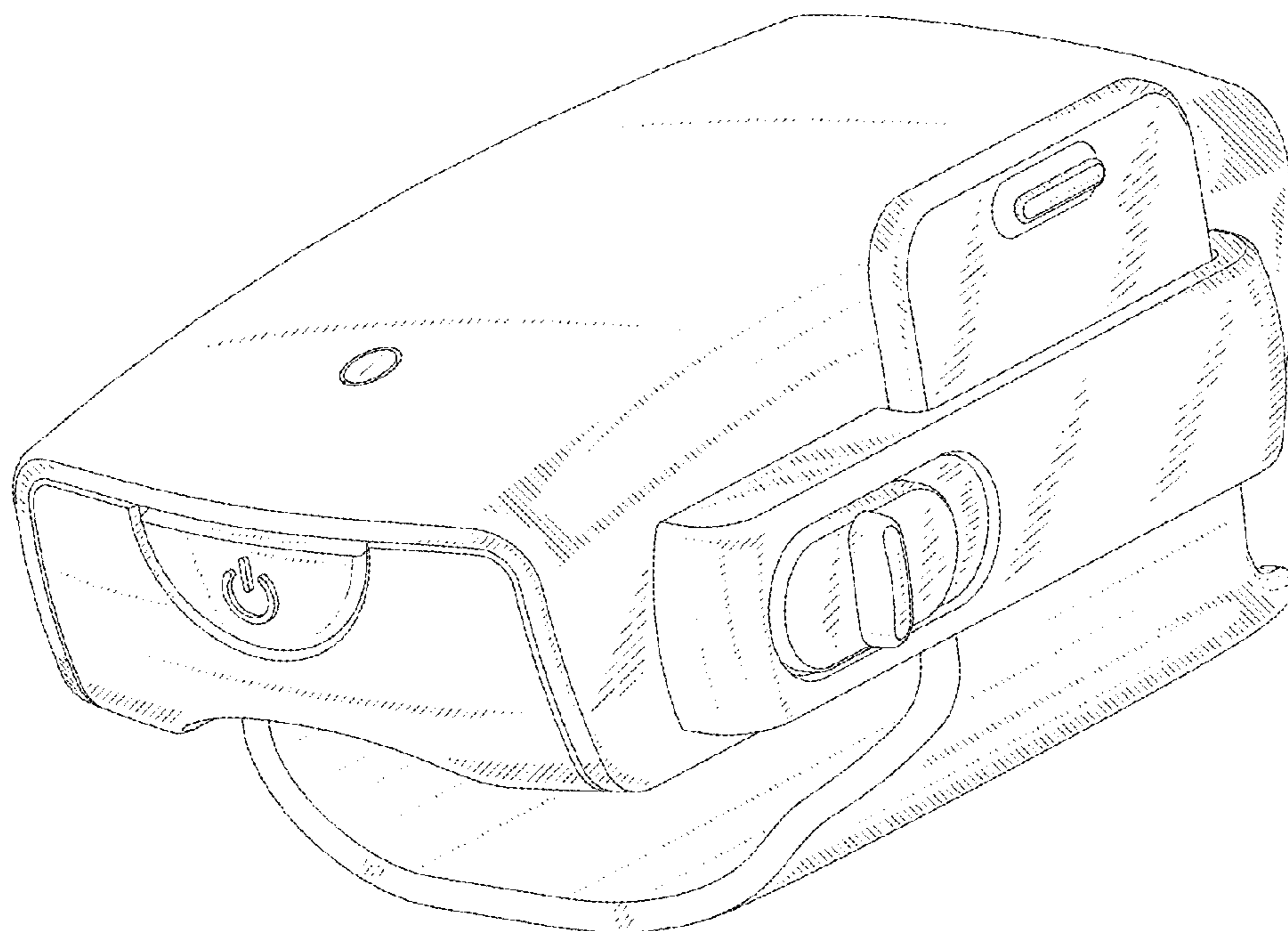
FIG. 5 is a right side view thereof;

FIG. 6 is a top view thereof; and,

FIG. 7 is a bottom view thereof.

The broken lines represent portions of the structure that form no part of the claimed design.

**1 Claim, 7 Drawing Sheets**



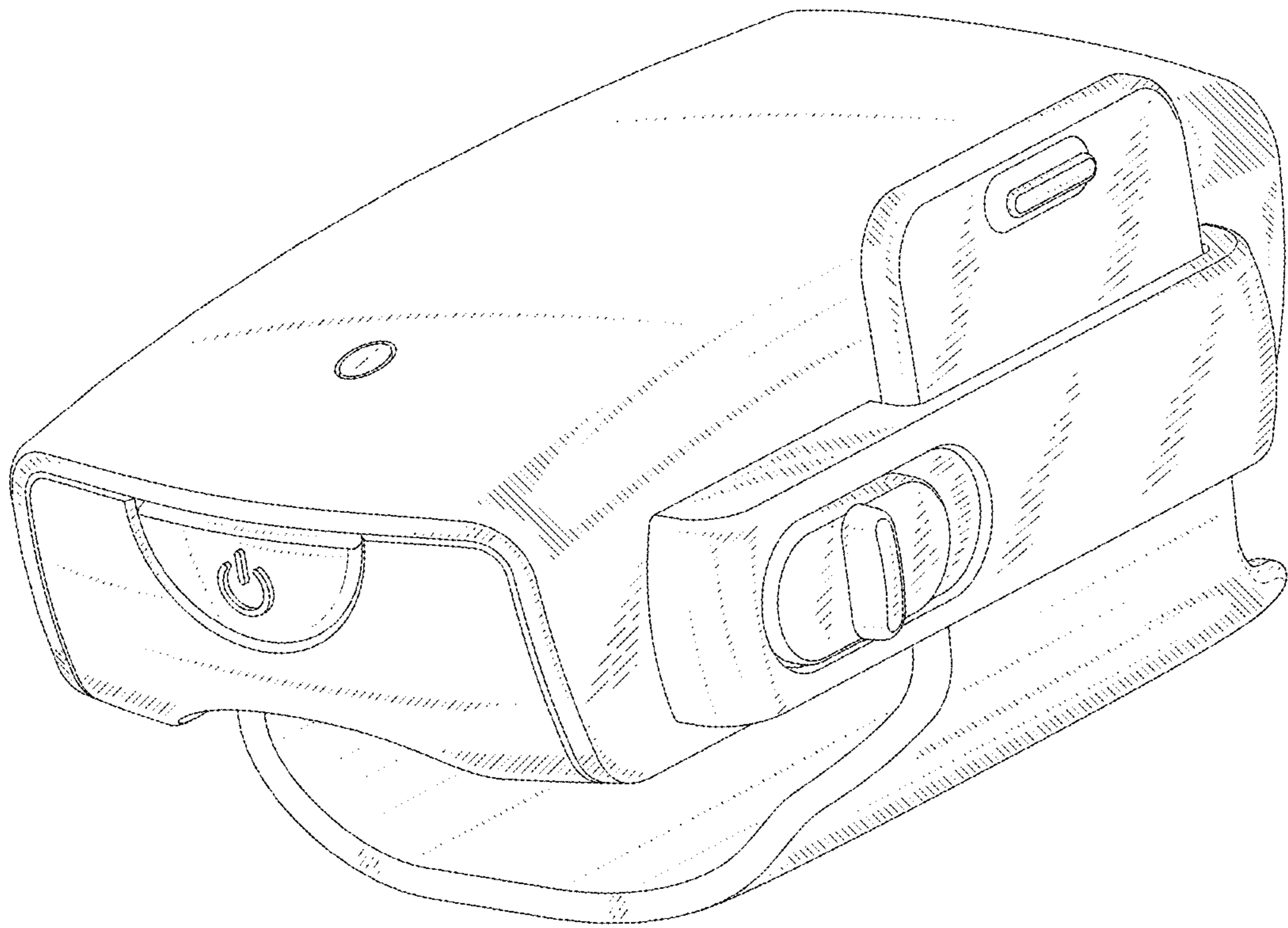


Fig. 1

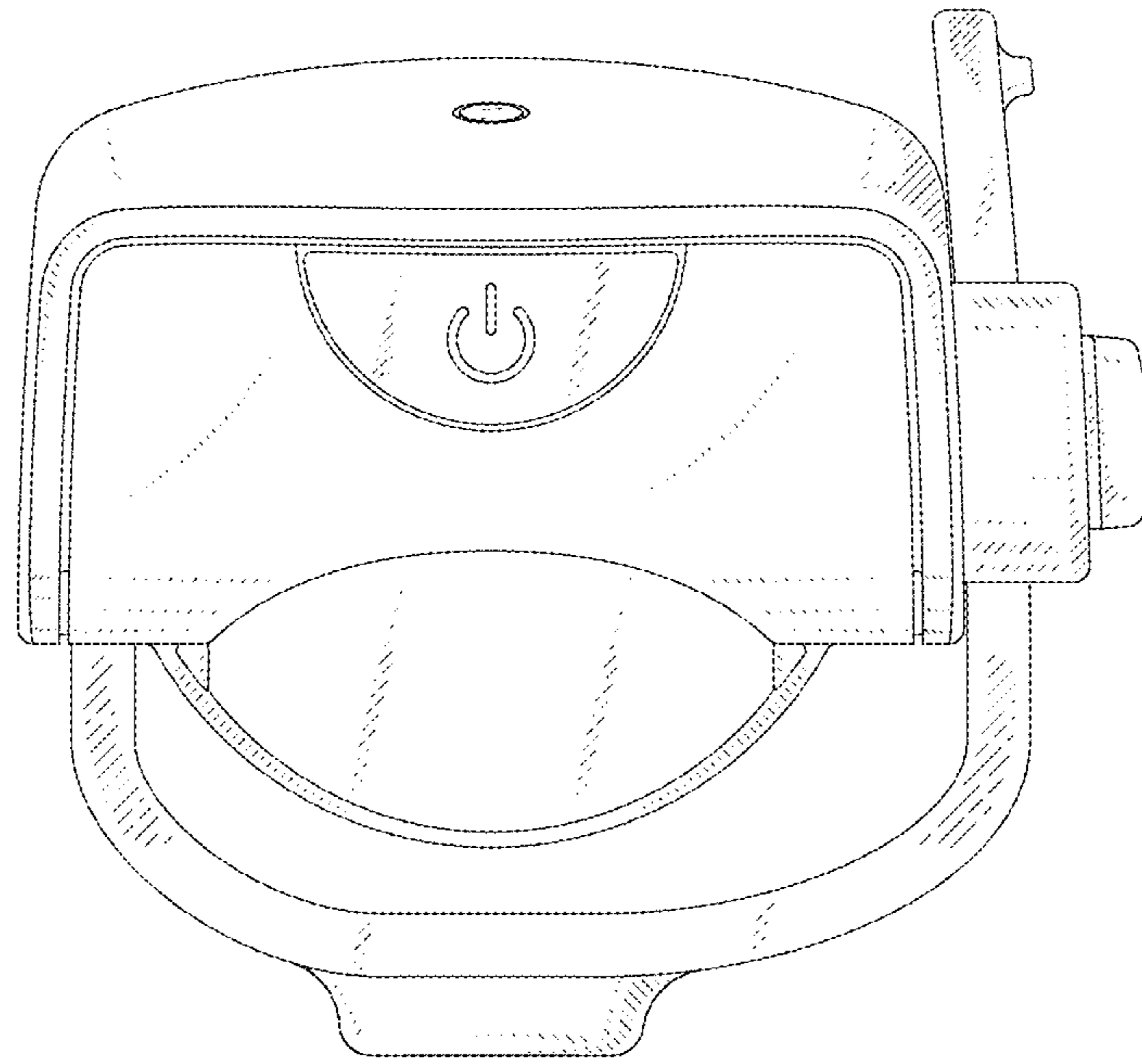


Fig. 2

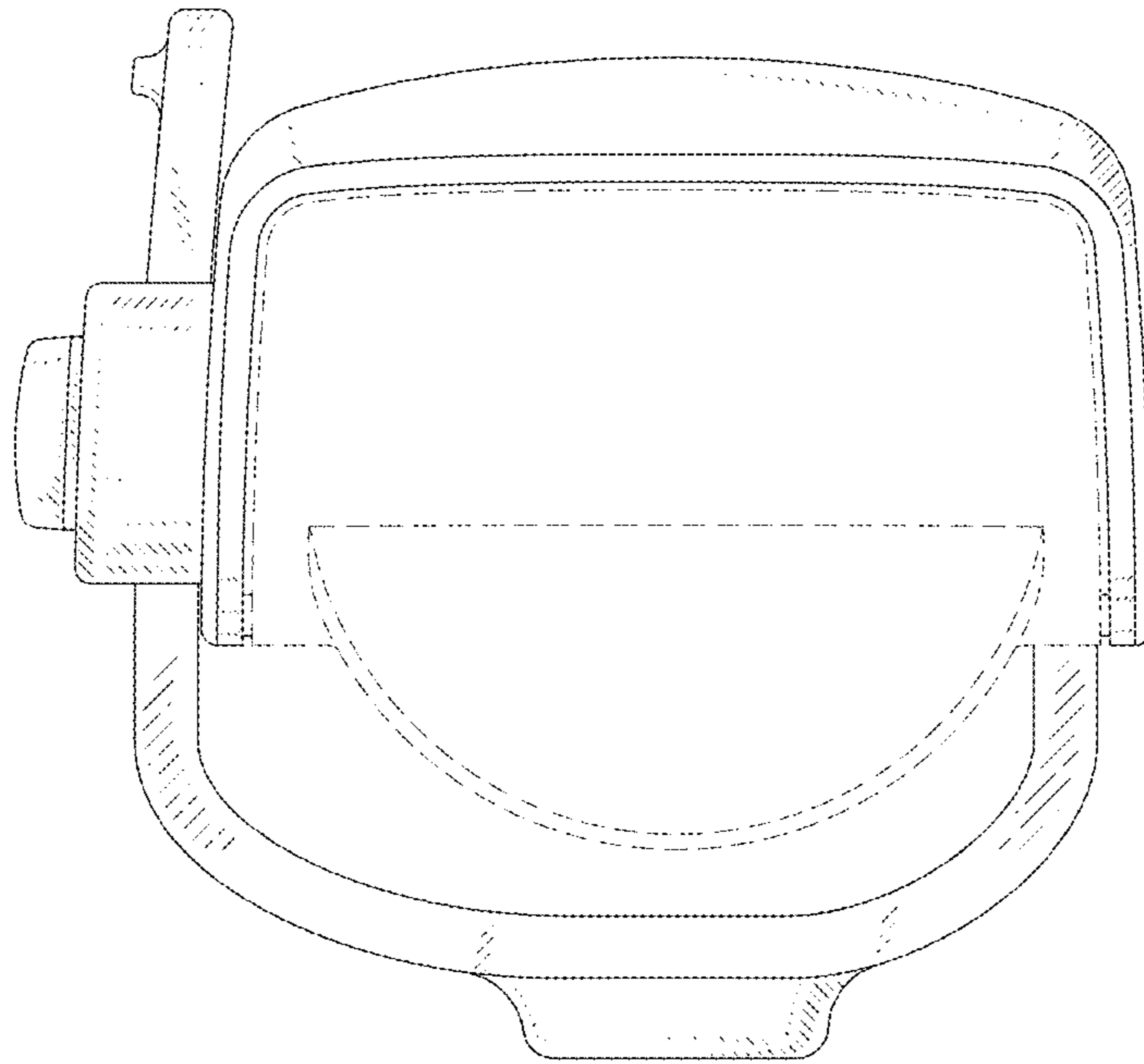


Fig. 3

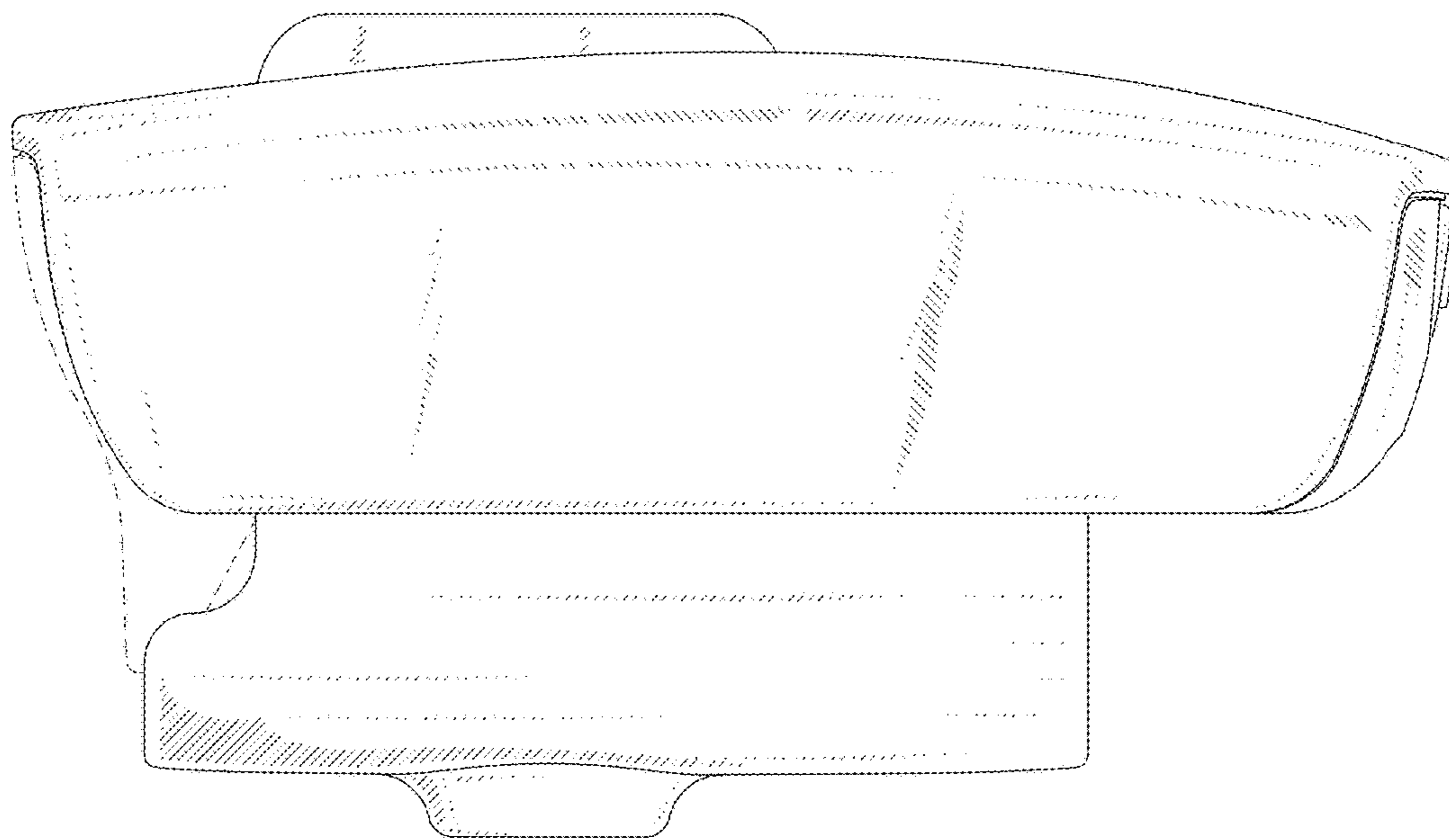


Fig. 4

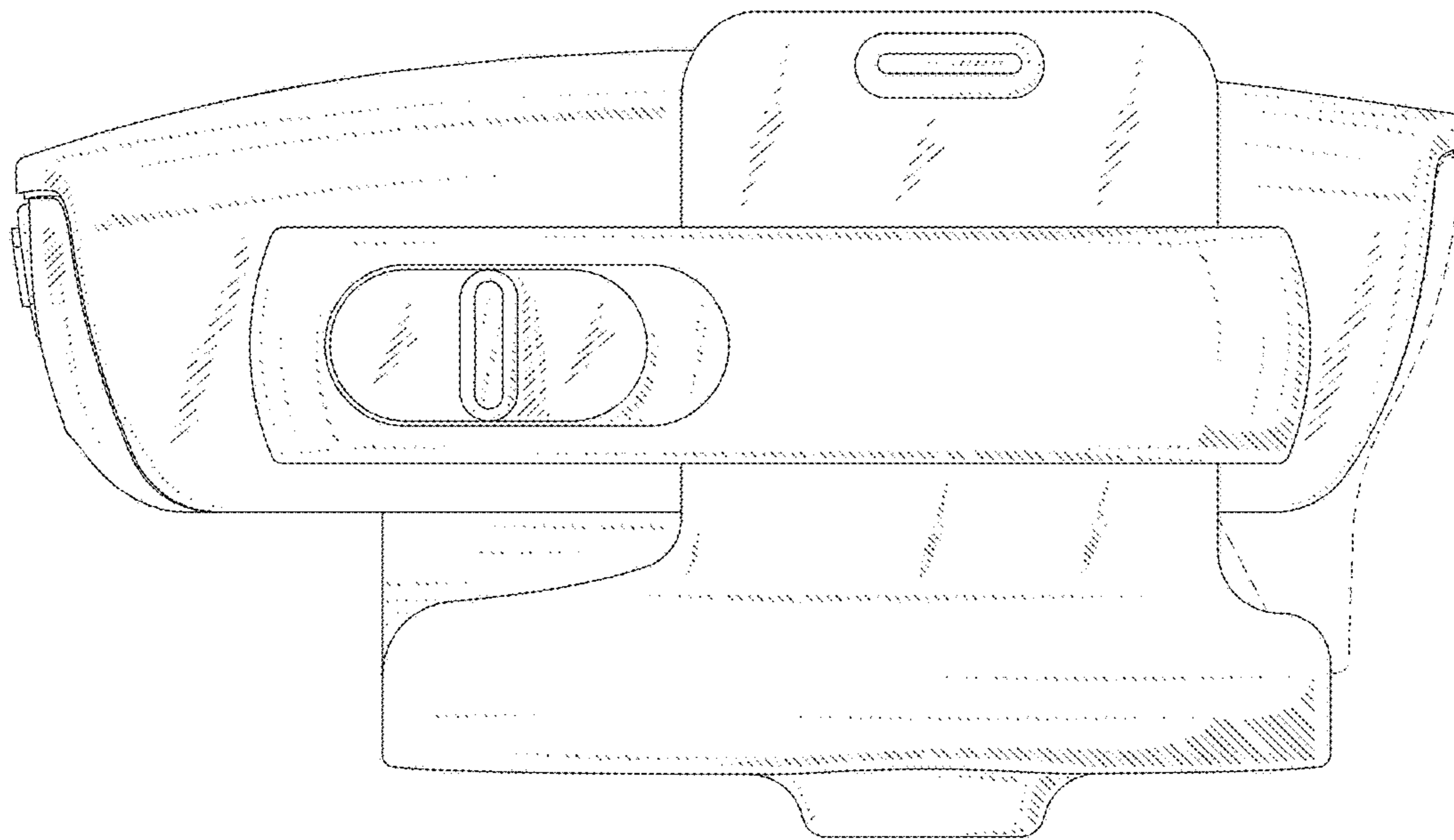


Fig. 5

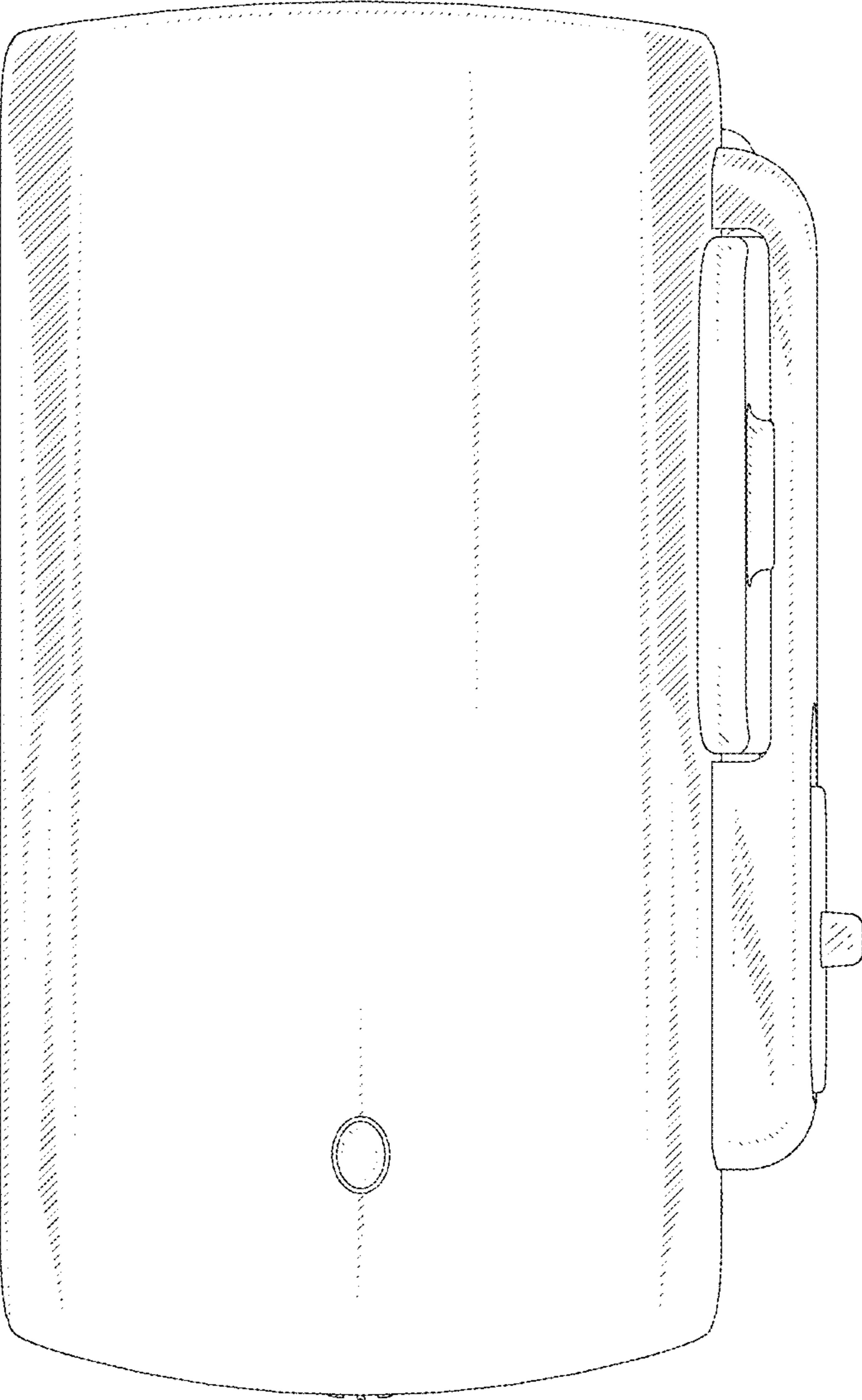


Fig. 6

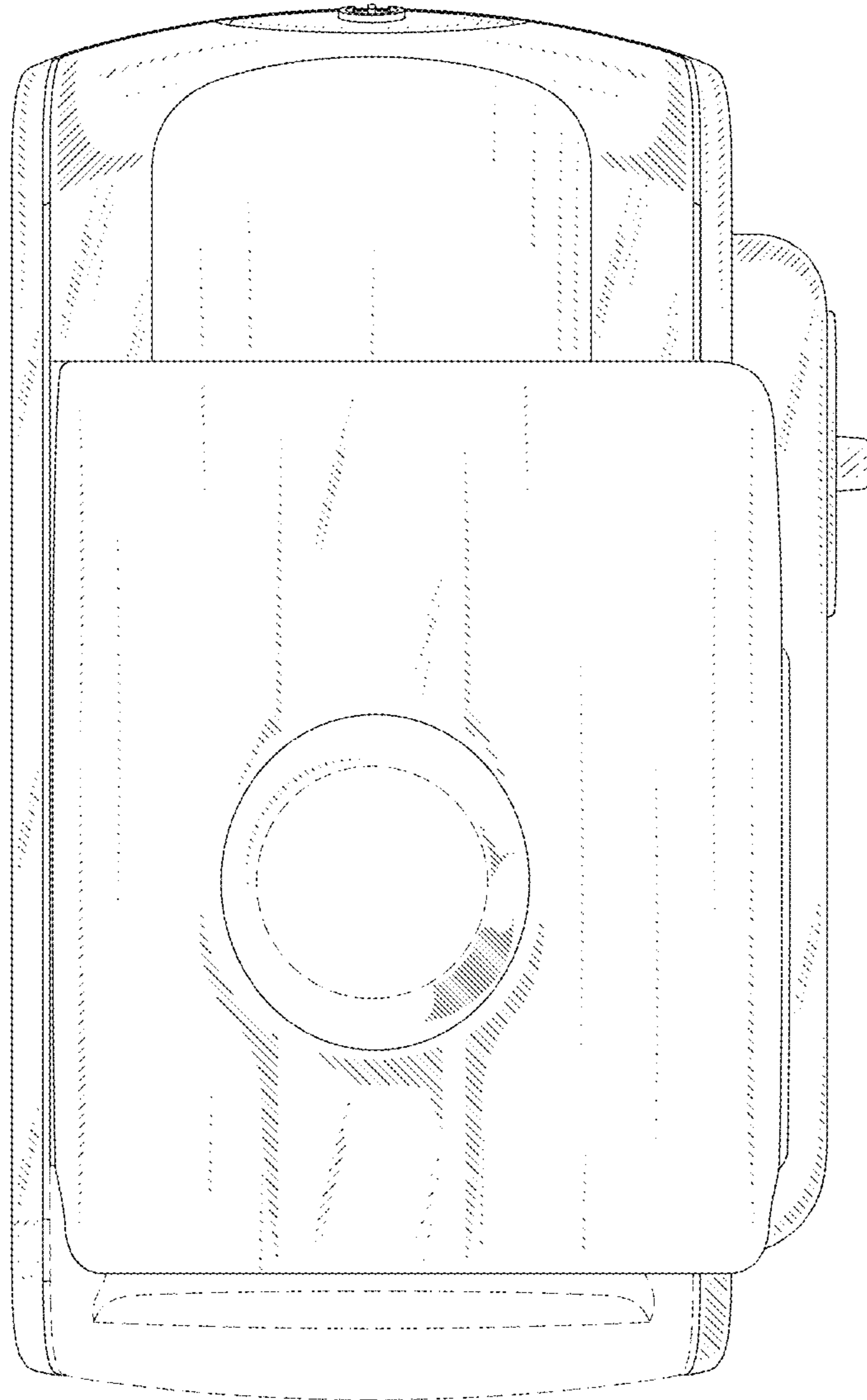


Fig. 7