



US00D782043S

(12) **United States Design Patent**  
**Fink et al.**

(10) **Patent No.:** **US D782,043 S**  
(45) **Date of Patent:** **\*\* Mar. 21, 2017**

(54) **RASPATORY**

(71) Applicant: **KARL STORZ GmbH & Co. KG,**  
Tuttlingen (DE)

(72) Inventors: **Christian Fink, Innsbruck (AT);**  
**Sascha Berberich, Tuttlingen (DE)**

(73) Assignee: **KARL STORZ GmbH & Co. KG,**  
Tuttlingen (DE)

(\*\*) Term: **15 Years**

(21) Appl. No.: **29/529,080**

(22) Filed: **Jun. 3, 2015**

(30) **Foreign Application Priority Data**

Dec. 3, 2014 (EM) ..... 002590224-0003

(51) **LOC (10) Cl.** ..... **24-02**

(52) **U.S. Cl.**  
USPC ..... **D24/146**

(58) **Field of Classification Search**  
USPC ..... D24/127, 130, 133, 146, 147, 148;  
606/79, 80-83  
See application file for complete search history.

(56) **References Cited**

**U.S. PATENT DOCUMENTS**

6,468,279 B1 \* 10/2002 Reo ..... A61B 17/16  
600/567  
D660,428 S \* 5/2012 Hohl ..... D24/133  
D744,652 S \* 12/2015 Bennett ..... D24/147  
2005/0090829 A1 \* 4/2005 Martz ..... A61B 17/1604  
606/79

2005/0096662 A1 \* 5/2005 Shores ..... A61B 17/162  
606/79  
2006/0064100 A1 \* 3/2006 Bertagnoli ..... A61B 17/1671  
606/79  
2007/0260253 A1 \* 11/2007 Johnson ..... A61B 17/1624  
606/79  
2016/0038195 A1 \* 2/2016 Genovese ..... A61B 17/7082  
606/79  
2016/0199200 A1 \* 7/2016 Livorsi ..... A61F 2/4611  
606/79

\* cited by examiner

*Primary Examiner* — Ian Simmons

*Assistant Examiner* — Samantha Q Lawrence

(74) *Attorney, Agent, or Firm* — Muncy, Geissler, Olds & Lowe, P.C.

(57) **CLAIM**

The ornamental design for a raspatory, as shown and described.

**DESCRIPTION**

FIG. 1 is a front perspective view of a raspatory according to the present invention.

FIG. 2 is a left side view of the raspatory of FIG. 1.

FIG. 3 is a right side view of the raspatory of FIG. 1.

FIG. 4 is a top view of the raspatory of FIG. 1.

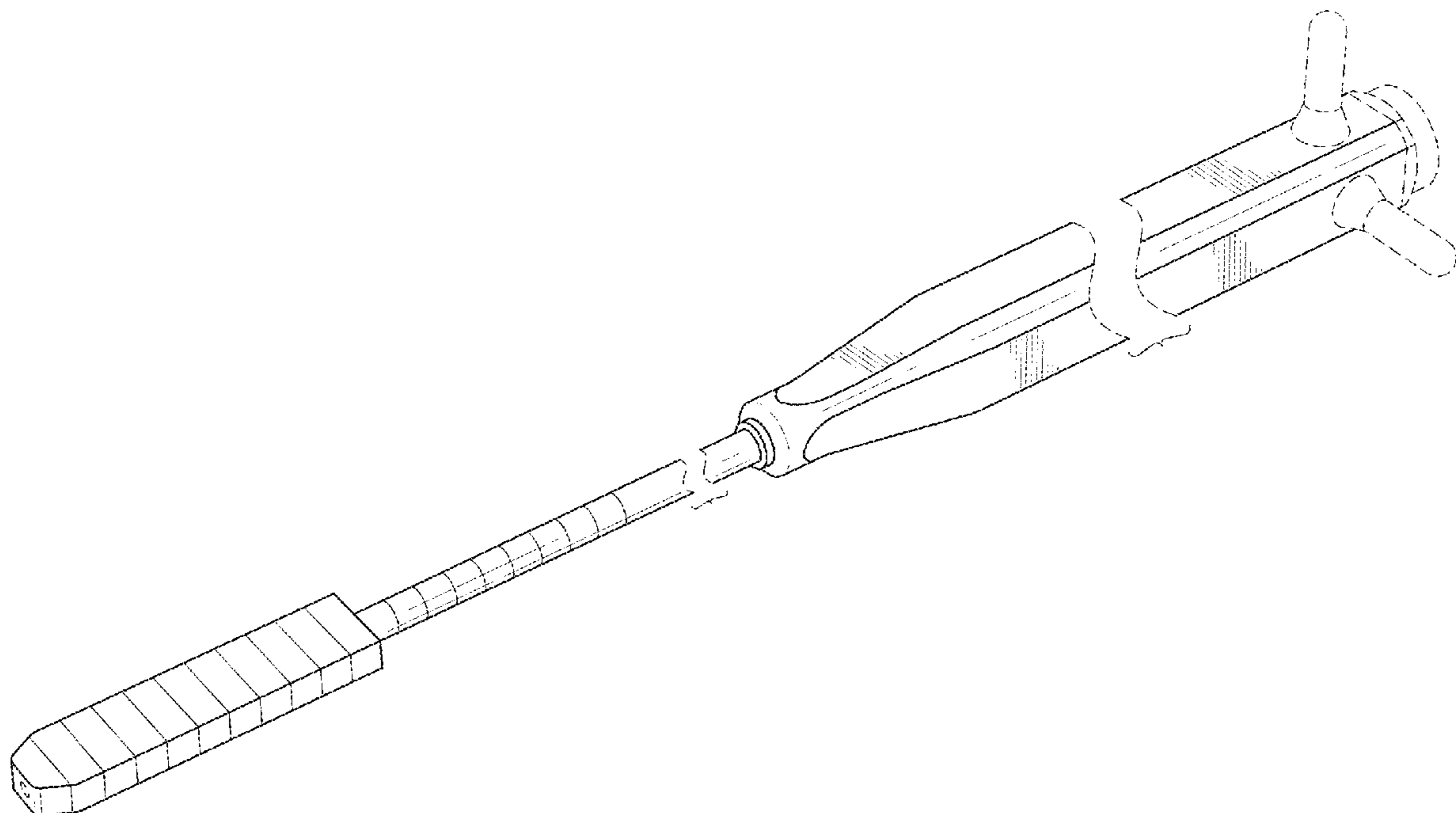
FIG. 5 is a bottom view of the raspatory of FIG. 1.

FIG. 6 is a front view of the raspatory of FIG. 1; and,

FIG. 7 is a rear view of the raspatory of FIG. 1.

The broken lines shown in FIGS. 1-7 illustrate portions of the raspatory that form no part of the claimed design. The broken lines shown between the handle in FIGS. 1-5 illustrate a break in length and forms no part of the claimed design.

**1 Claim, 6 Drawing Sheets**



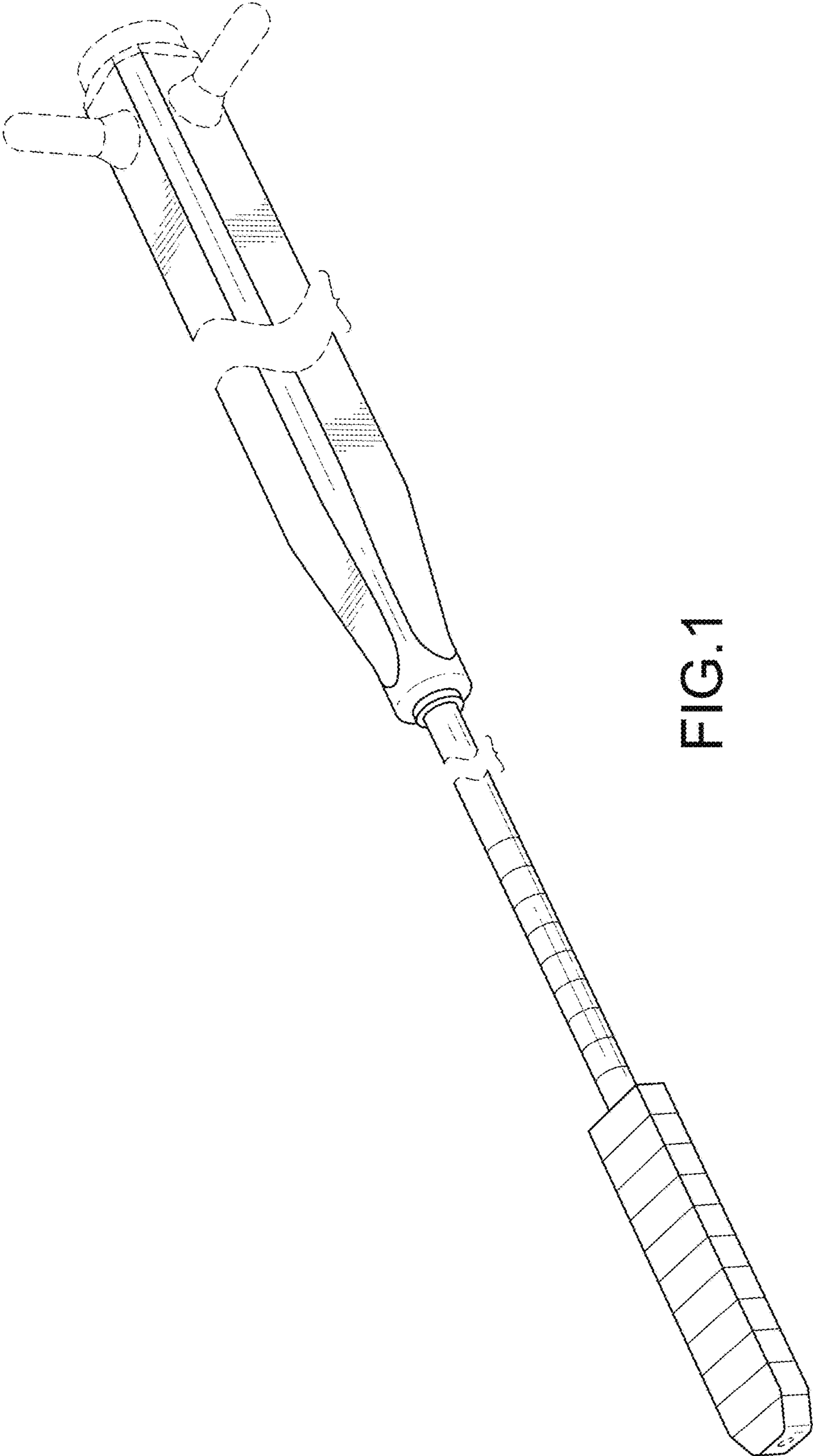


FIG.1

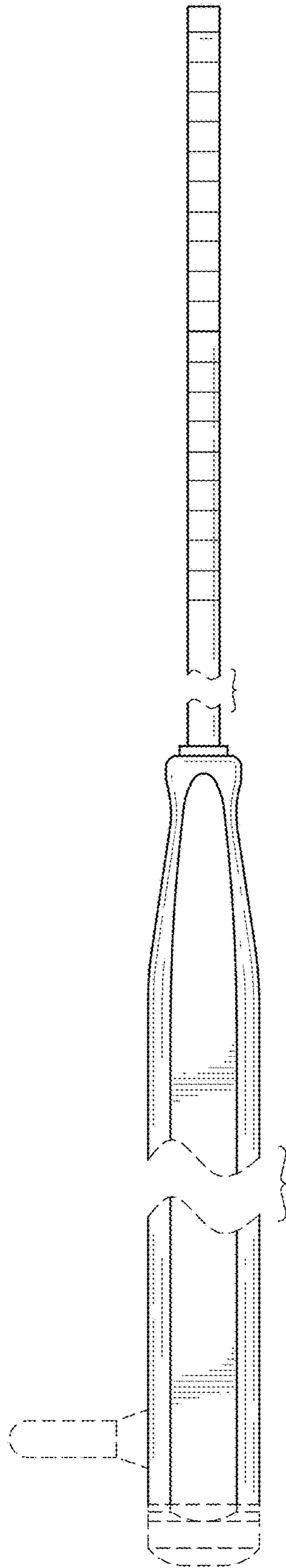


FIG.2

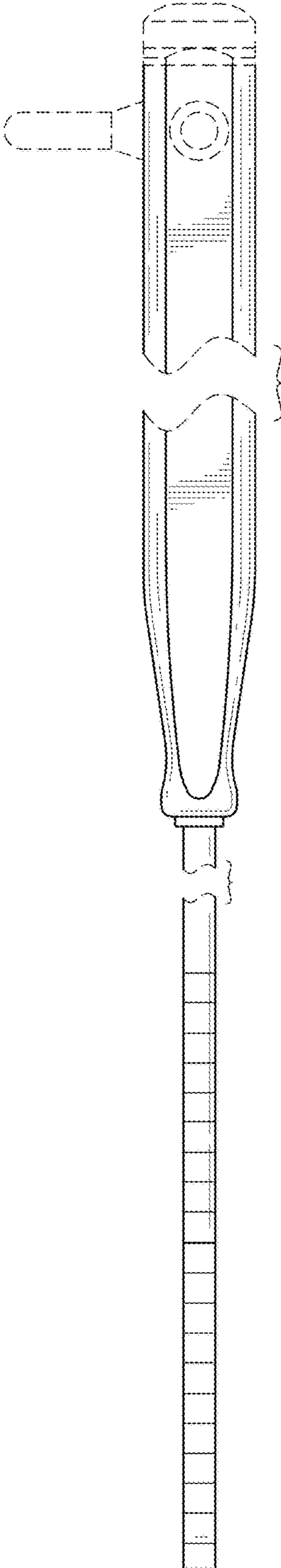


FIG.3

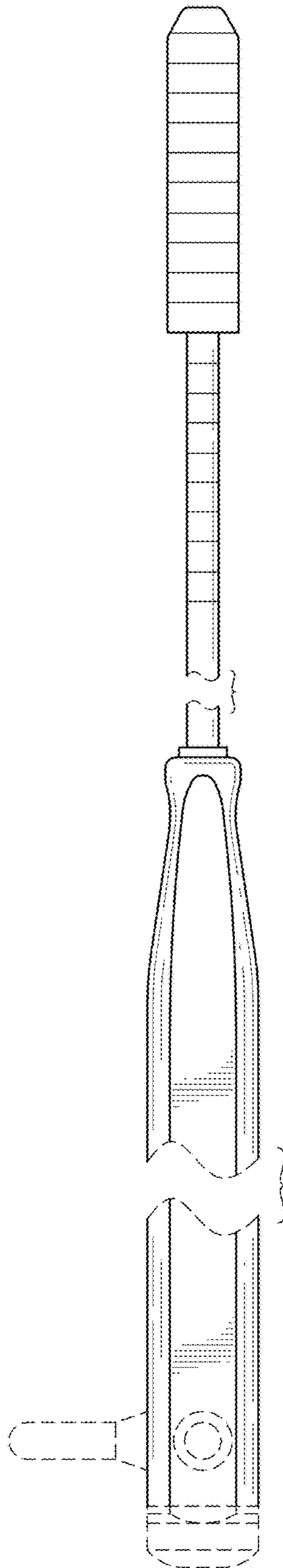


FIG.4

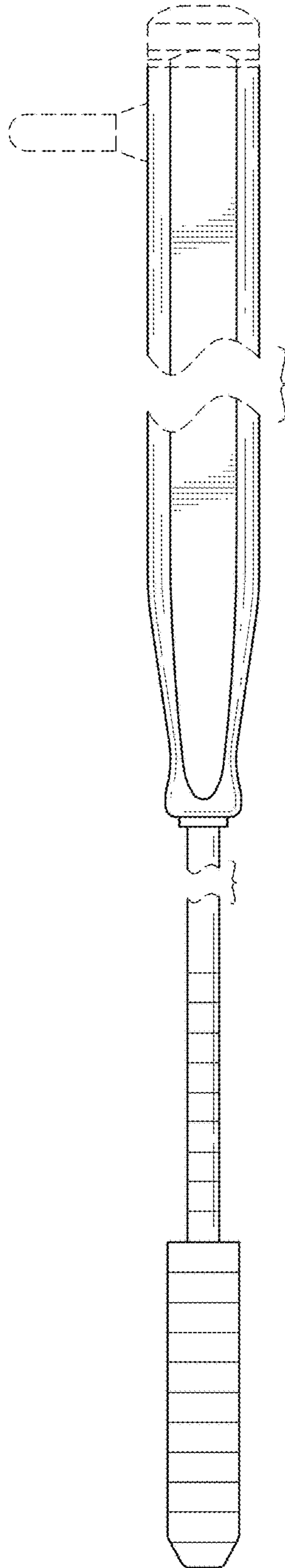


FIG.5

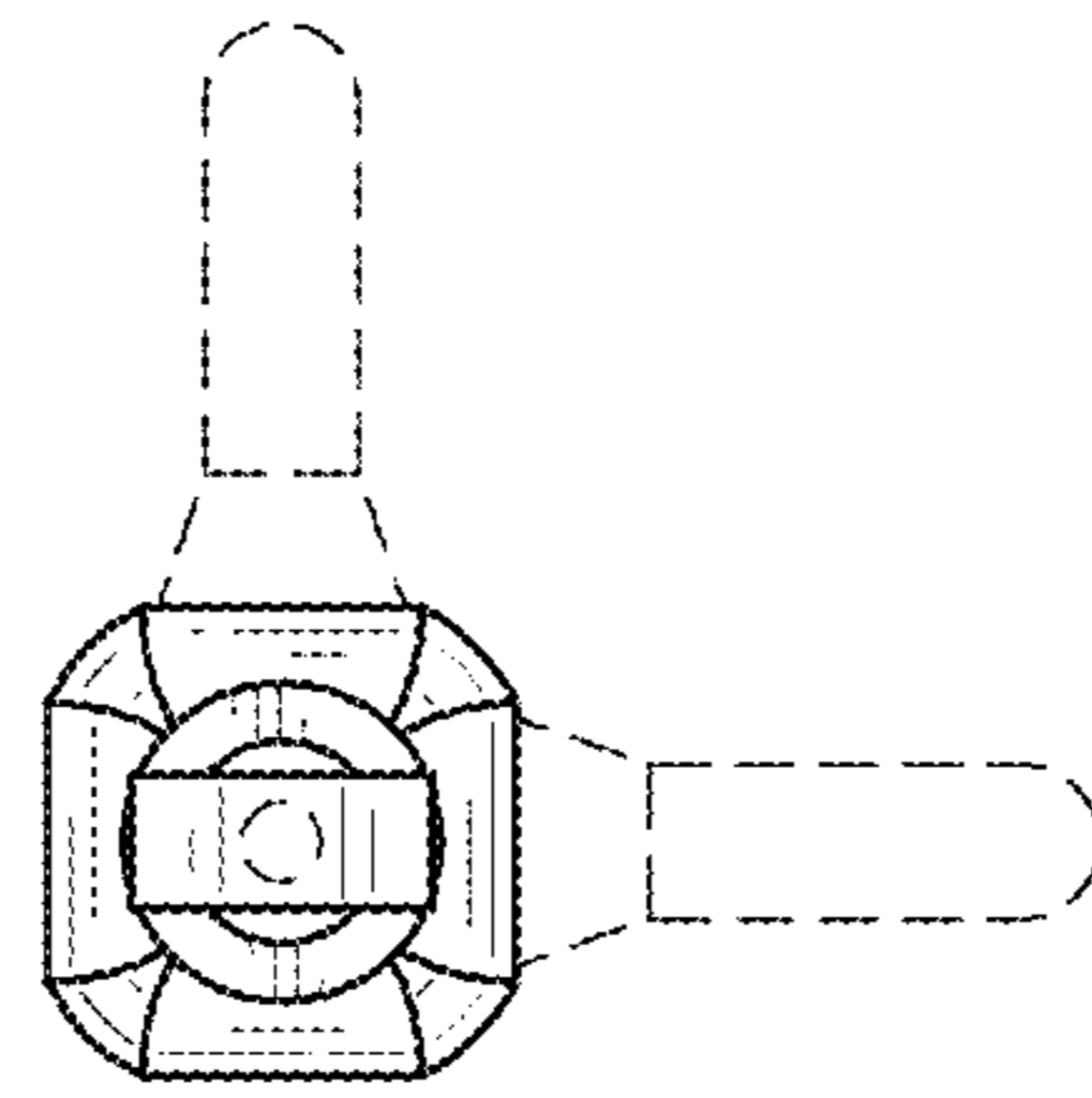


FIG. 6

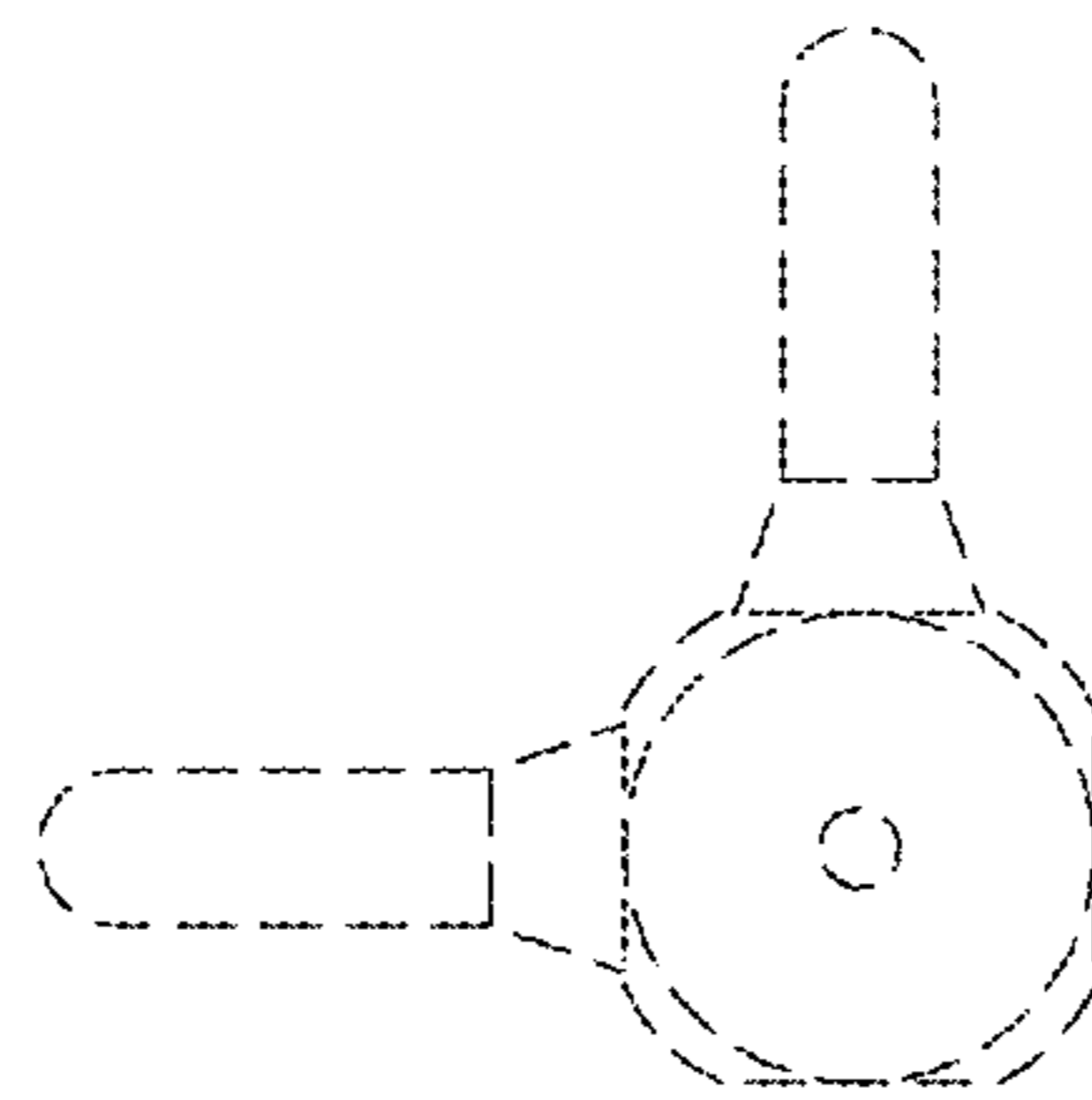


FIG. 7