



US00D782042S

(12) **United States Design Patent**
Dexter et al.

(10) **Patent No.:** **US D782,042 S**
(45) **Date of Patent:** **** Mar. 21, 2017**

(54) **SURGICAL TOOL**

2,512,033 A 6/1950 Metz
2,522,388 A 9/1950 Madsen
2,596,594 A 5/1952 Petre

(Continued)

(71) Applicant: **Medtronic PS Medical, Inc.**,
Louisville, CO (US)

FOREIGN PATENT DOCUMENTS

(72) Inventors: **Shane S. Dexter**, Keller, TX (US);
Zachary Heiliger, Flower Mound, TX
(US)

CH 686 113 1/1996
DE 88 15 261.8 3/1989

(Continued)

(73) Assignee: **Medtronic PS Medical, Inc.**,
Louisville, CO (US)

OTHER PUBLICATIONS

(**) Term: **14 Years**

Product Catalog—vol. 9, Brasseler USA, CASE 0:11-cv-01404-
MJD-FLN Document 40-3 Filed Nov. 18, 2011—7 pgs.

(Continued)

(21) Appl. No.: **29/521,689**

Primary Examiner — Garth Rademaker

(22) Filed: **Mar. 25, 2015**

Assistant Examiner — Samantha Q Lawrence

(51) **LOC (10) Cl.** **24-02**

(74) *Attorney, Agent, or Firm* — Dicke, Billig & Czaja,
PLLC

(52) **U.S. Cl.**

USPC **D24/146**

(58) **Field of Classification Search**

USPC D9/723; D15/138, 139; D24/127, 133,
D24/135, 144, 146, 147; 401/134, 202;
606/48

See application file for complete search history.

(57) **CLAIM**

The ornamental design for a surgical tool, as shown and
described herein.

DESCRIPTION

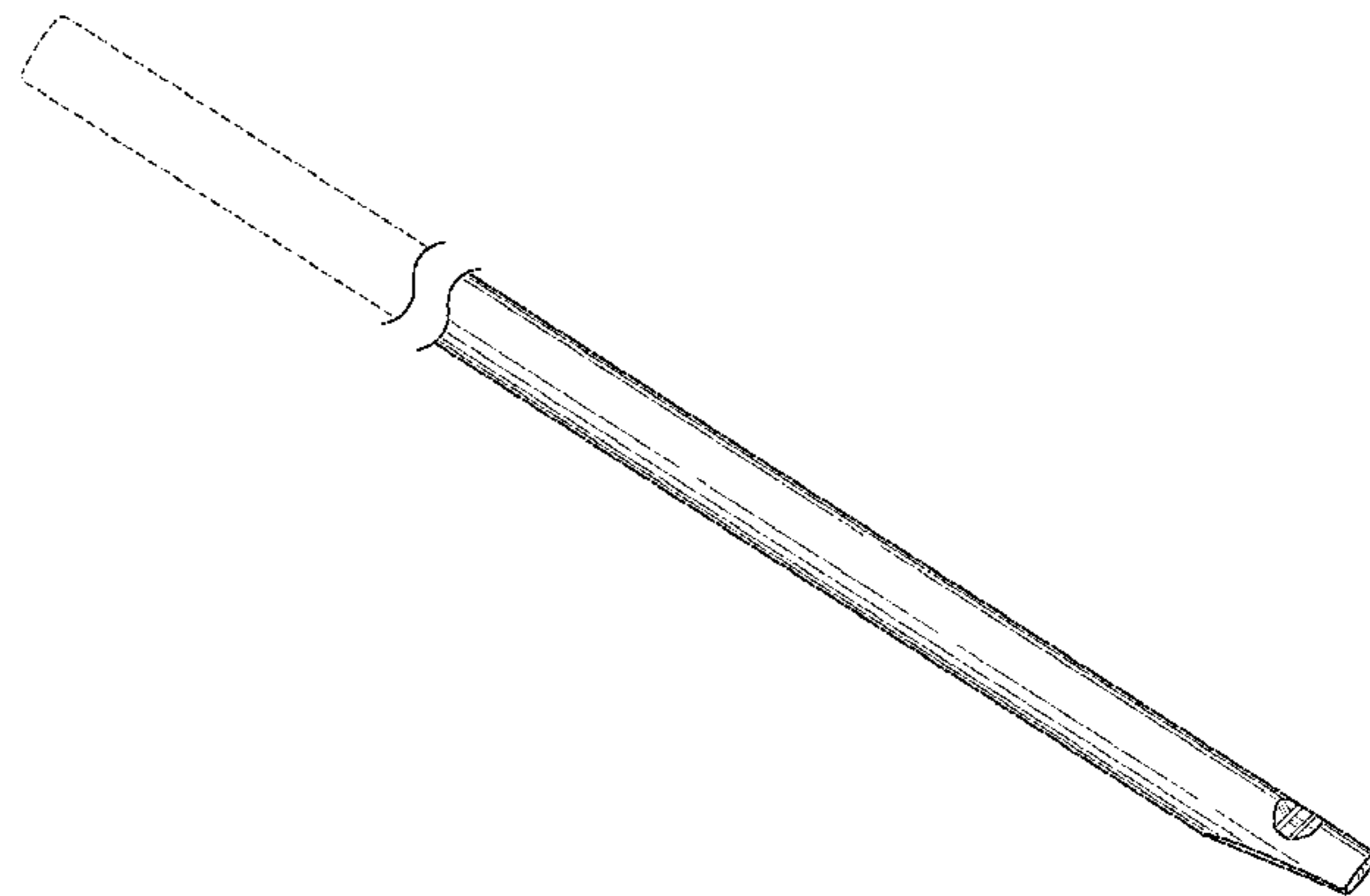
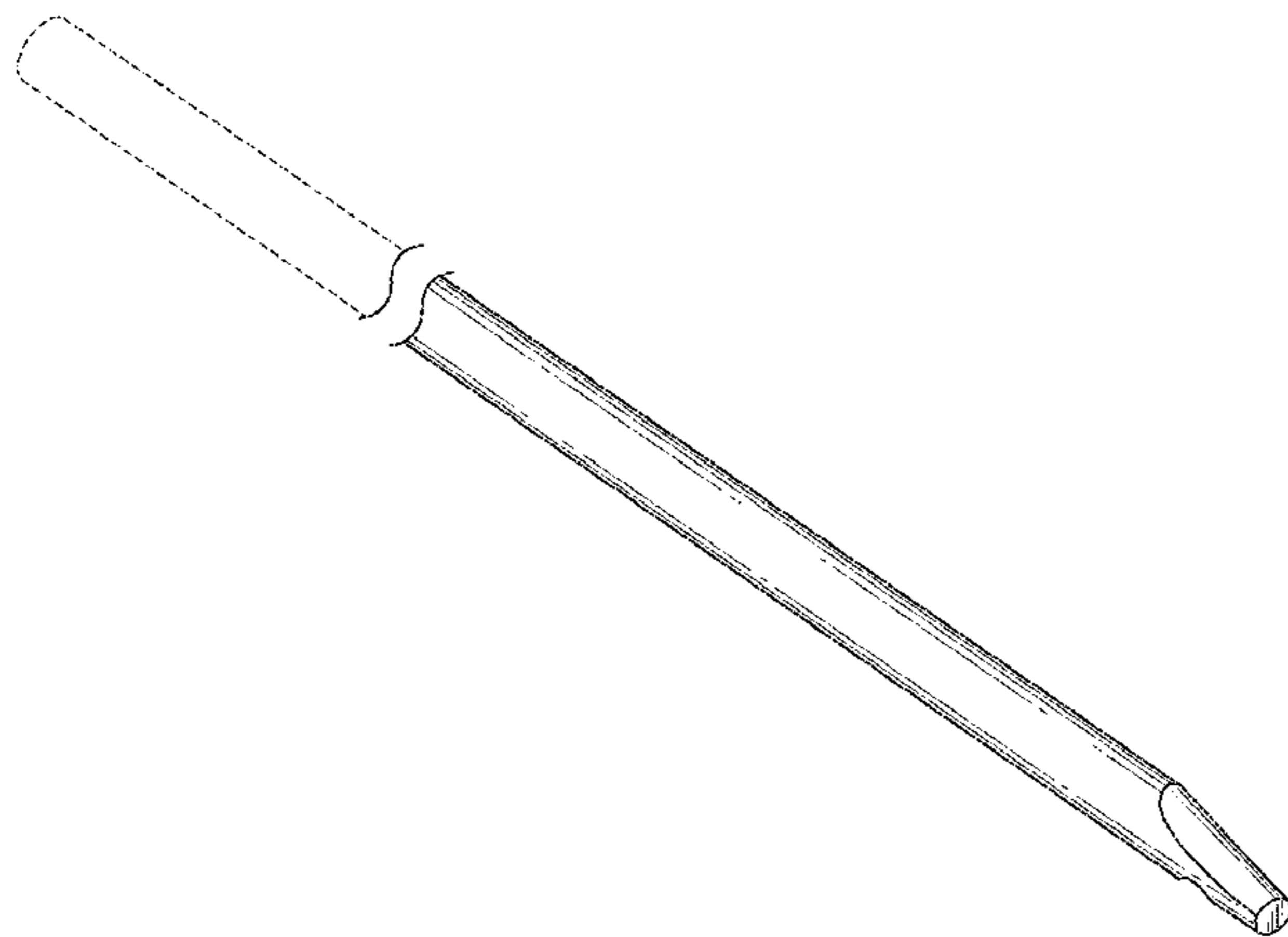
(56) **References Cited**

U.S. PATENT DOCUMENTS

233,709 A 10/1880 Starr
288,676 A 11/1883 Stearns
1,043,098 A 11/1912 Gross
1,053,709 A 2/1913 Collins
1,112,349 A 9/1914 Barnes
1,209,362 A 12/1916 Turner
1,539,439 A 5/1925 Smith
1,862,337 A 6/1932 Emrick
2,477,058 A 7/1949 Harborne et al.

FIG. 1 is a top and rear perspective view of a surgical tool
in accordance with principles of the present disclosure;
FIG. 2 is a bottom and rear perspective view thereof;
FIG. 3 is a rear end view thereof;
FIG. 4 is a front end view thereof;
FIG. 5 is a left side view thereof, the right side view being
a mirror image;
FIG. 6 is a top plan view thereof; and,
FIG. 7 is a bottom plan view thereof.
The broken lines shown in FIGS. 1-7 illustrate portions of
the surgical tool that form no part of the claimed design.

1 Claim, 6 Drawing Sheets



(56)

References Cited

U.S. PATENT DOCUMENTS

2,682,184 A	6/1954	Szarkowski	7,066,940 B2	6/2006	Riedel et al.
2,726,872 A	12/1955	Onsrud	D536,791 S	2/2007	Eskridge et al.
2,773,693 A	12/1956	Chittenden	7,261,169 B2	8/2007	Kleine et al.
3,043,634 A	7/1962	Coley	7,374,375 B2	5/2008	Kleine et al.
3,136,347 A	6/1964	Linguist	7,429,154 B2	9/2008	Kleine et al.
3,589,826 A	6/1971	Fenn	7,465,309 B2	12/2008	Walen
3,637,225 A	1/1972	Schmuck	7,488,327 B2	2/2009	Rathbun et al.
3,835,858 A	9/1974	Hagen	7,497,860 B2	3/2009	Carusillo et al.
4,035,100 A	7/1977	Kruger et al.	7,549,992 B2	6/2009	Shores et al.
4,047,722 A	9/1977	Nielsen et al.	7,559,927 B2	7/2009	Shores et al.
4,078,593 A	3/1978	Benitz	D609,810 S	2/2010	Cote et al.
4,107,949 A	8/1978	Wanner et al.	7,669,308 B2	3/2010	Oshnock et al.
4,123,074 A	10/1978	Wanner	7,691,106 B2	4/2010	Schenberger et al.
4,146,240 A	3/1979	Nielsen	7,722,054 B2	5/2010	Young
4,185,383 A	1/1980	Heimke et al.	D617,900 S	6/2010	Kingsley et al.
4,378,053 A	3/1983	Simpson	D617,901 S	6/2010	Unger et al.
4,502,734 A	3/1985	Allan	D617,902 S	6/2010	Twomey et al.
4,512,692 A	4/1985	Nielsen et al.	D617,903 S	6/2010	Unger et al.
4,565,472 A	1/1986	Brennsteiner et al.	7,766,585 B2	8/2010	Vasudeva et al.
4,594,036 A	6/1986	Hogehout	D631,962 S *	2/2011	Dorman D24/135
4,655,651 A	4/1987	Hunger et al.	D636,082 S *	4/2011	Cote D24/147
4,823,468 A	4/1989	Kollegger	7,922,720 B2	4/2011	May et al.
4,830,000 A	5/1989	Shutt	D641,468 S	7/2011	Ruiz et al.
4,917,274 A *	4/1990	Asa B01L 3/0275 222/420	8,043,292 B2	10/2011	Carusillo
5,009,440 A	4/1991	Manschitz	D648,021 S *	11/2011	Dorman D24/135
5,116,353 A	5/1992	Green	D666,294 S	8/2012	Miles et al.
5,203,654 A	4/1993	Henderson	8,361,068 B2	1/2013	McClurken
5,256,147 A	10/1993	Vidal et al.	8,419,760 B2	4/2013	Wiebe, III
5,263,786 A	11/1993	Kageyama	8,518,065 B2	8/2013	Shores et al.
5,286,145 A	2/1994	Kleine	D692,134 S *	10/2013	Lee-Sepsick D24/146
5,352,234 A	10/1994	Scott	8,597,316 B2	12/2013	McCombs
5,382,249 A	1/1995	Fletcher	8,702,710 B2	4/2014	Carusillo
5,421,682 A	6/1995	Obermeier et al.	8,801,713 B2	8/2014	Del Rio et al.
5,439,005 A	8/1995	Vaughn	8,893,820 B2	11/2014	Barhitte et al.
5,487,626 A	1/1996	Von Holst et al.	D728,098 S *	4/2015	Schad D24/146
5,499,985 A	3/1996	Hein et al.	D728,099 S *	4/2015	Schad D24/146
5,505,737 A	4/1996	Gosselin et al.	D744,650 S *	12/2015	Catron D24/146
5,549,634 A	8/1996	Scott et al.	D746,457 S *	12/2015	Swick D24/146
5,569,256 A	10/1996	Vaughn et al.	D747,477 S	1/2016	Freigang et al.
D377,982 S	2/1997	Walen	D753,826 S	4/2016	Eggeling et al.
5,601,560 A	2/1997	Del Rio et al.	2002/0105149 A1	8/2002	Karst
5,634,933 A	6/1997	McCombs et al.	2002/0151902 A1	10/2002	Riedel et al.
5,697,158 A	12/1997	Klinzing et al.	2002/0171208 A1	11/2002	Lehot et al.
5,720,749 A	2/1998	Rupp	2003/0097133 A1	5/2003	Green et al.
5,735,535 A	4/1998	McCombs et al.	2003/0140743 A1	7/2003	Ofentavsek
5,741,263 A	4/1998	Umber et al.	2003/0163134 A1	8/2003	Riedel et al.
5,782,836 A	7/1998	Umber et al.	2003/0229351 A1	12/2003	Tidwell et al.
5,810,802 A	9/1998	Panescu et al.	2005/0027282 A1 *	2/2005	Schweikert A61B 17/3415 604/523
5,833,704 A	11/1998	McCombs et al.	2005/0072007 A1	4/2005	Proulx
5,893,851 A	4/1999	Umber et al.	2005/0232715 A1	10/2005	Baumann et al.
5,928,241 A	7/1999	Menuet et al.	2006/0053974 A1	3/2006	Blust et al.
5,941,891 A	8/1999	Walen	2007/0172321 A1	7/2007	Nagai
5,989,257 A	11/1999	Tidwell et al.	2007/0282329 A1	12/2007	Kawano
6,000,940 A	12/1999	Buss et al.	2008/0033280 A1 *	2/2008	Lubbock A61B 17/3468 600/414
6,007,541 A	12/1999	Scott	2009/0024129 A1	1/2009	Gordon et al.
6,062,575 A	5/2000	Mickel et al.	2009/0312779 A1	12/2009	Boykin et al.
6,209,886 B1	4/2001	Estes et al.	2010/0063524 A1	3/2010	McCombs
6,261,035 B1	7/2001	Moores et al.	2010/0076477 A1	3/2010	Jeziarski et al.
6,267,763 B1	7/2001	Castro	2011/0022069 A1	1/2011	Mitusina
6,290,525 B1	9/2001	Jacobi	2011/0190803 A1	8/2011	To et al.
6,409,221 B1	6/2002	Robinson et al.	2011/0218562 A1	9/2011	Viola et al.
6,447,484 B1 *	9/2002	Briscoe A61B 17/3415 604/164.02	2011/0238070 A1	9/2011	Santangelo et al.
6,607,533 B2	8/2003	Del Rio et al.	2011/0270293 A1	11/2011	Malla et al.
6,612,588 B2	9/2003	Erdt et al.	2011/0270294 A1	11/2011	Rubin
6,688,610 B2	2/2004	Huggins et al.	2012/0070220 A1	3/2012	Ruiz et al.
6,723,101 B2	4/2004	Fletcher et al.	2013/0110147 A1	5/2013	Dame
6,733,218 B2	5/2004	Del Rio et al.	2013/0116659 A1	5/2013	Porter
D492,412 S	6/2004	Desoutter et al.	2013/0138096 A1	5/2013	Benn
6,746,153 B2	6/2004	Del Rio et al.	2013/0144267 A1	6/2013	Chan et al.
6,780,189 B2	8/2004	Tidwell et al.	2013/0296848 A1	11/2013	Allen, IV et al.
6,811,190 B1	11/2004	Ray et al.	2014/0056656 A1	2/2014	Bae et al.
7,001,391 B2	2/2006	Estes et al.	2014/0124231 A1	5/2014	Hessenberger et al.
7,011,661 B2	3/2006	Riedel et al.	2014/0163558 A1	6/2014	Cosgrove et al.
			2014/0336654 A1	11/2014	Pilgeram

(56)

References Cited

U.S. PATENT DOCUMENTS

2014/0350561 A1 11/2014 Dacosta et al.
2014/0371752 A1 12/2014 Anderson

FOREIGN PATENT DOCUMENTS

DE	102012101259	8/2013
EP	D293327	11/1988
EP	0216354	7/1991
EP	1101459	2/2006
EP	1289714	8/2008
EP	1514034	10/2011
FR	1330849	6/1963
GB	2129730	5/1984
RU	2077275	4/1997
WO	9608343	3/1996
WO	01/66024	9/2001
WO	01/89769	11/2001
WO	2014/037134	3/2014
WO	2014/176060	10/2014

OTHER PUBLICATIONS

International Search Report and Written Opinion for International Application No. PCT/US2016/018686 mailed Jul. 22, 2016 (17 pgs).

* cited by examiner

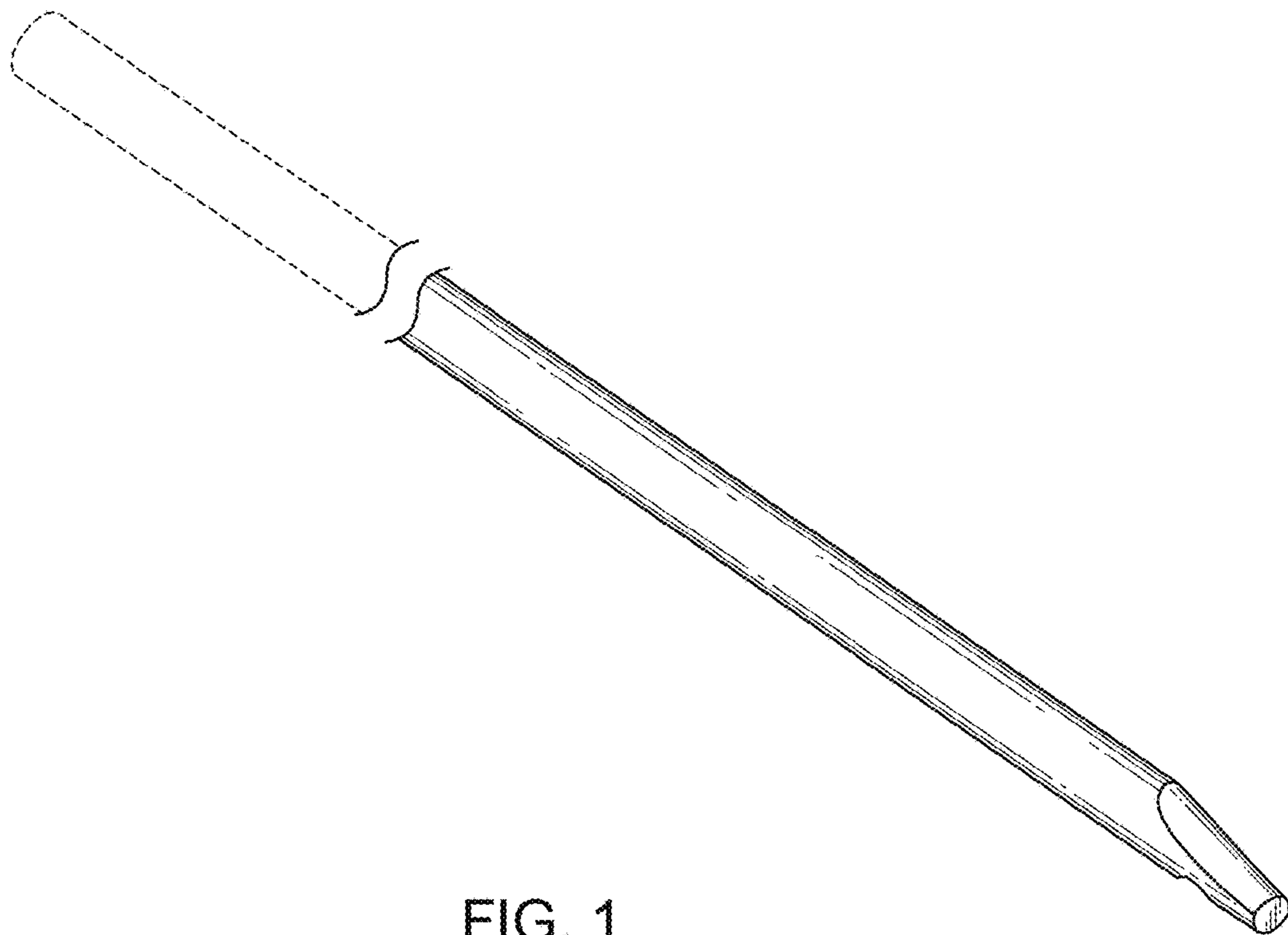


FIG. 1

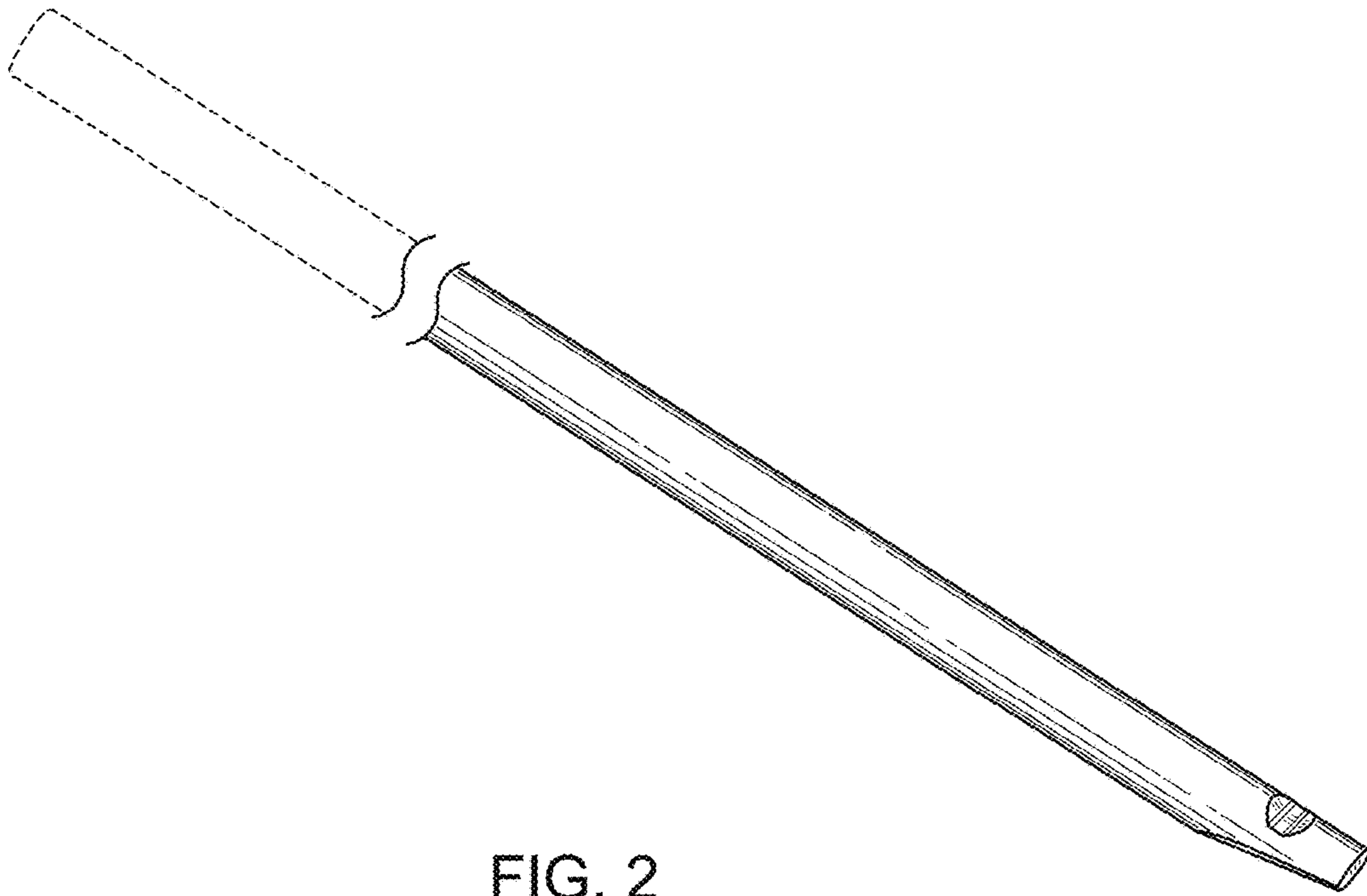


FIG. 2

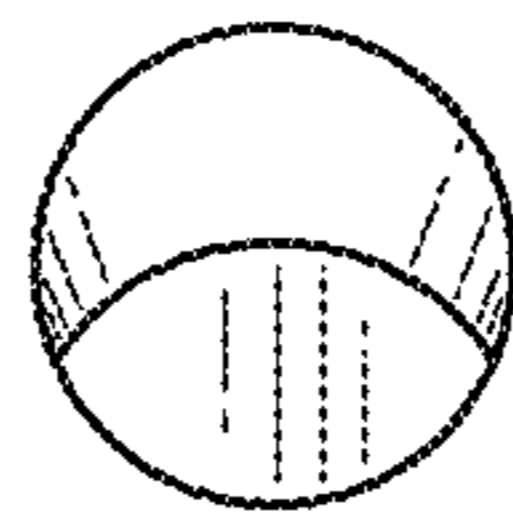


FIG. 3

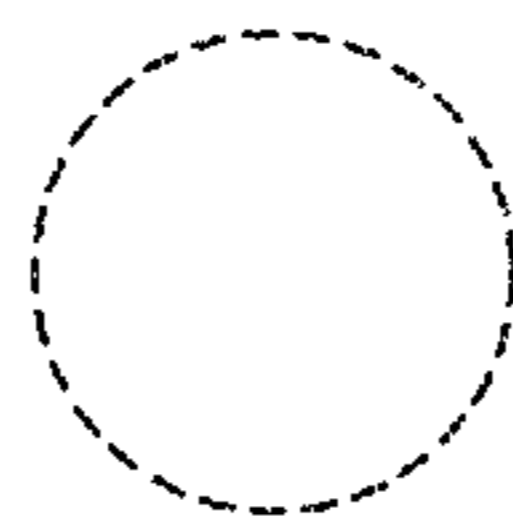


FIG. 4

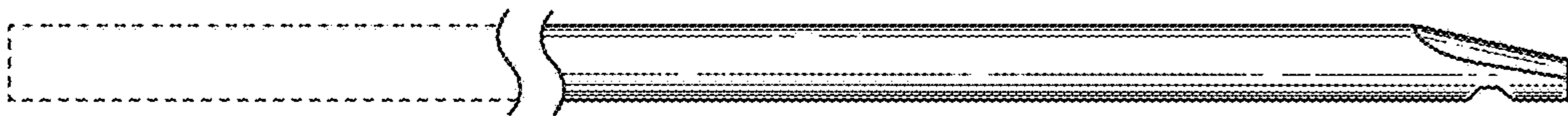


FIG. 5

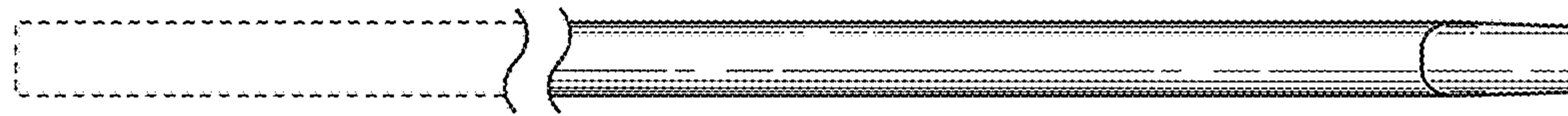


FIG. 6

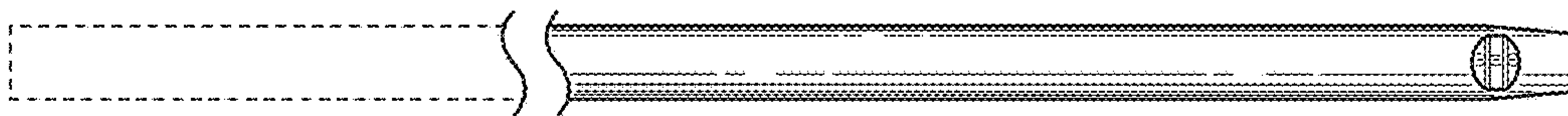


FIG. 7