



US00D782040S

(12) **United States Design Patent**
Teufel

(10) **Patent No.:** **US D782,040 S**
(45) **Date of Patent:** **** Mar. 21, 2017**

(54) **NEPHROSCOPE**

FOREIGN PATENT DOCUMENTS

(71) Applicant: **KARL STORZ GmbH & Co. KG**,
Tuttlingen (DE)

EM 000277439-0001 12/2004
EM 000702956-0001 4/2007

(Continued)

(72) Inventor: **Felix Teufel**, Tuttlingen (DE)

Primary Examiner — Robert M Spear

(73) Assignee: **KARL STORZ GmbH & Co. KG**,
Tuttlingen (DE)

Assistant Examiner — Eliza Bennett-Hattan

(**) Term: **14 Years**

(74) *Attorney, Agent, or Firm* — Muncy, Geissler, Olds &
Lowe, P.C.

(21) Appl. No.: **29/526,248**

(22) Filed: **May 7, 2015**

(57) **CLAIM**

(30) **Foreign Application Priority Data**

The ornamental design for an nephroscope, as shown and described.

Nov. 7, 2014 (EM) 002574079-0002

(51) **LOC (10) Cl.** **24-02**

(52) **U.S. Cl.**
USPC **D24/138**

(58) **Field of Classification Search**
USPC D24/108, 111, 112, 113, 117, 118, 130,
D24/133, 135, 137, 138, 141, 143, 144,
D24/148, 152–154, 170, 176, 179, 216,
D24/222

CPC A61B 1/00; A61B 1/00137; A61B 1/005;
A61B 1/0014; A61B 1/0676; A61B
1/0669; A61B 1/00121; A61B 1/00133;
A61B 1/00071; A61B 1/00064; A61B
1/00068; A61B 1/00112; A61B 1/0125;
A61B 17/3478

See application file for complete search history.

DESCRIPTION

FIG. 1 is a front perspective view of an nephroscope to the present invention.

FIG. 2 is a left side view of the nephroscope of FIG. 1.

FIG. 3 is a right side view of the nephroscope of FIG. 1.

FIG. 4 is a front view of the nephroscope of FIG. 1.

FIG. 5 is a rear view of the nephroscope of FIG. 1.

FIG. 6 is a top view of the nephroscope of FIG. 1; and,

FIG. 7 is a bottom view of the nephroscope of FIG. 1.

The dashed lines illustrate environment that does not form a part of the present invention, and no claim is made to the material illustrated with dashed lines.

The nephroscope is shown with symbolic breaks in its length. The appearance of any portion of the article between the break lines forms no part of the claimed design.

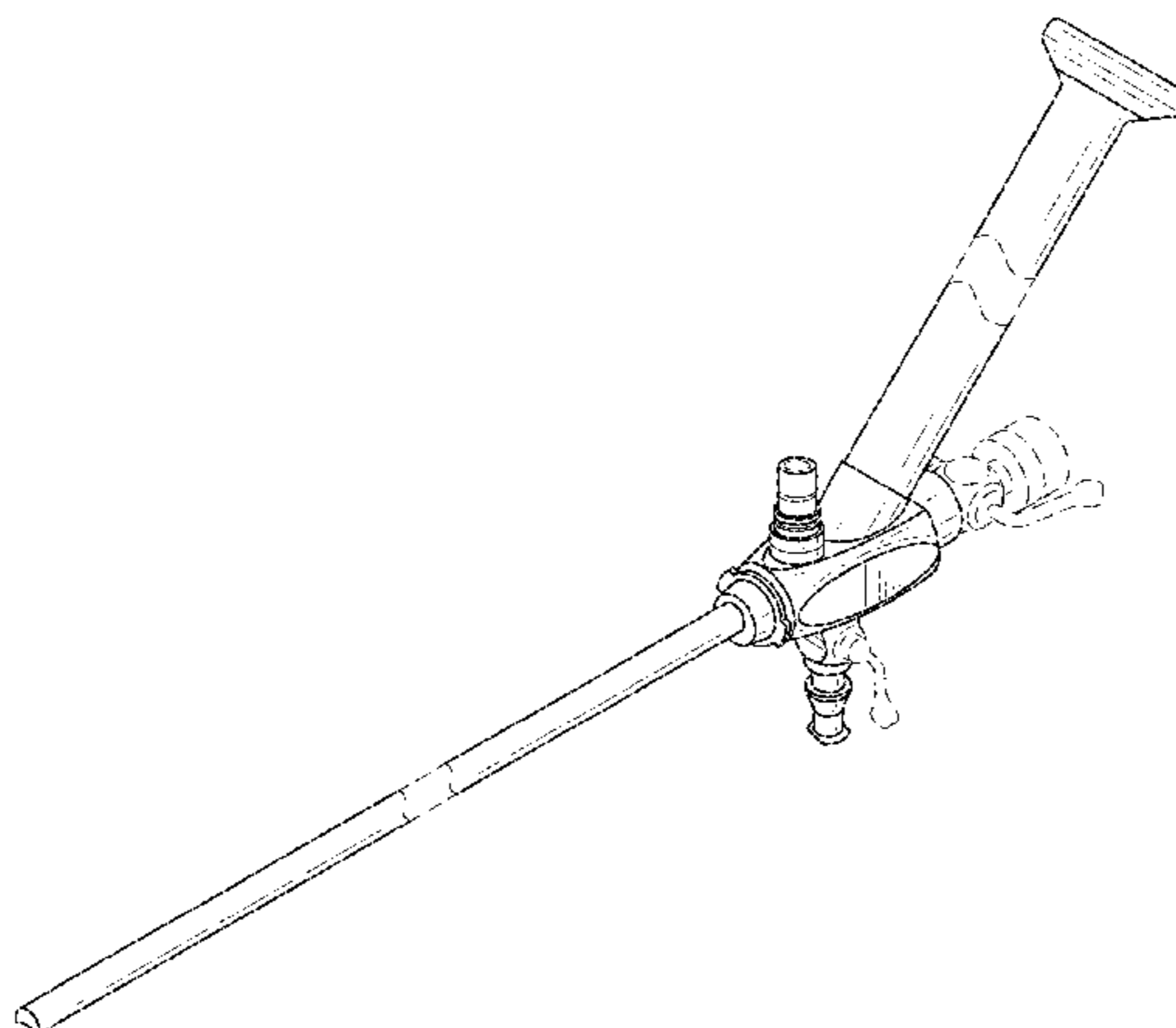
(56) **References Cited**

U.S. PATENT DOCUMENTS

D536,790 S * 2/2007 Michel D24/137
D548,340 S * 8/2007 Michel D24/137
D611,599 S * 3/2010 Eisenkolb D24/138

(Continued)

1 Claim, 7 Drawing Sheets



(56)

References Cited

U.S. PATENT DOCUMENTS

D611,600 S * 3/2010 Stammberger D24/138
D743,028 S * 11/2015 Teufel D24/138
D743,029 S * 11/2015 Mesle D24/138
D753,822 S * 4/2016 Teufel D24/138
D757,262 S * 5/2016 Barki D24/138
D757,263 S * 5/2016 Hofer D24/138
D757,264 S * 5/2016 Eisenlauer D24/138
D757,265 S * 5/2016 Eisenlauer D24/138

FOREIGN PATENT DOCUMENTS

EM 001651142-0003 12/2009
EM 001651142-0005 12/2009
EM 001844184-0002 3/2011

* cited by examiner

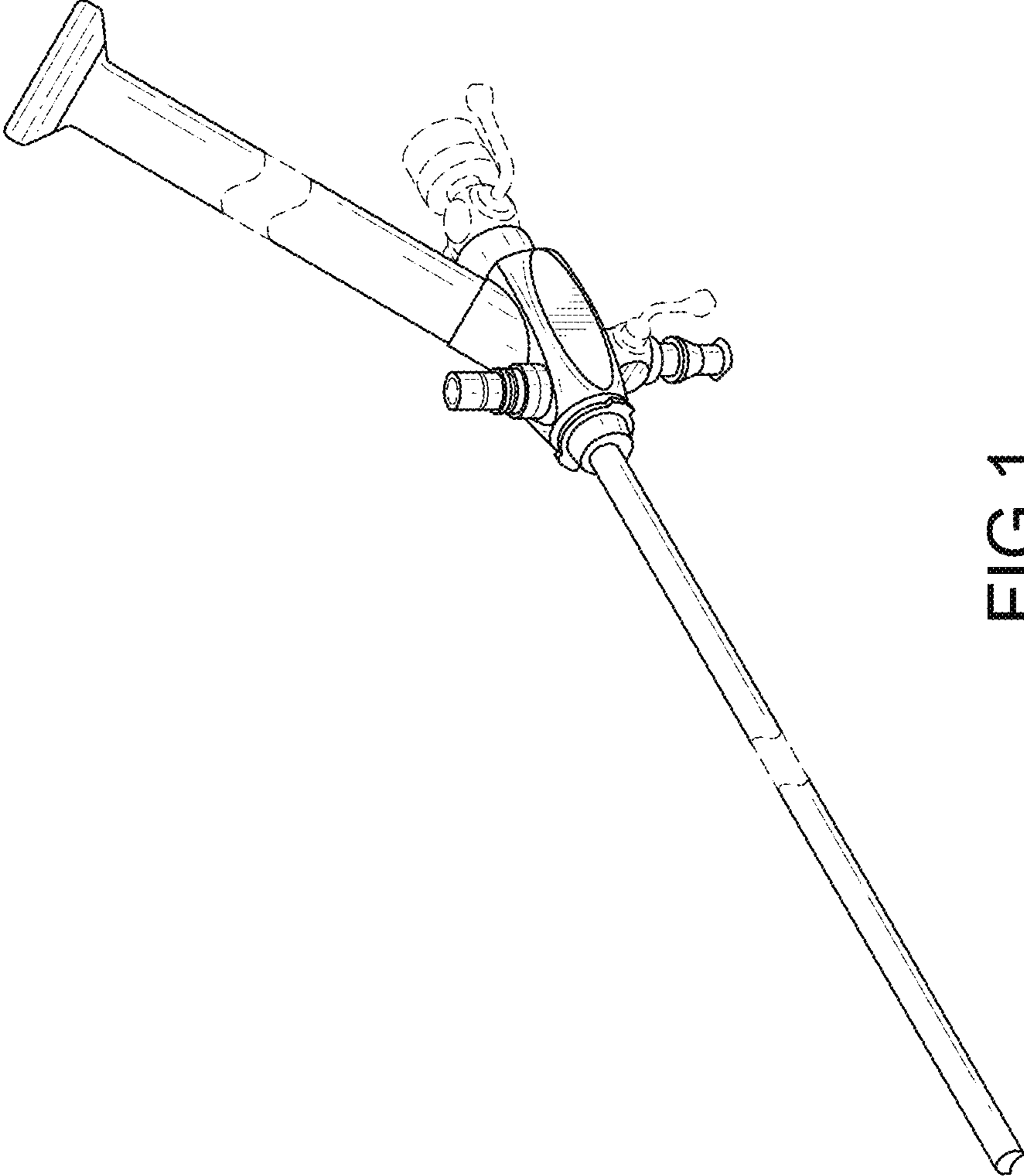


FIG. 1

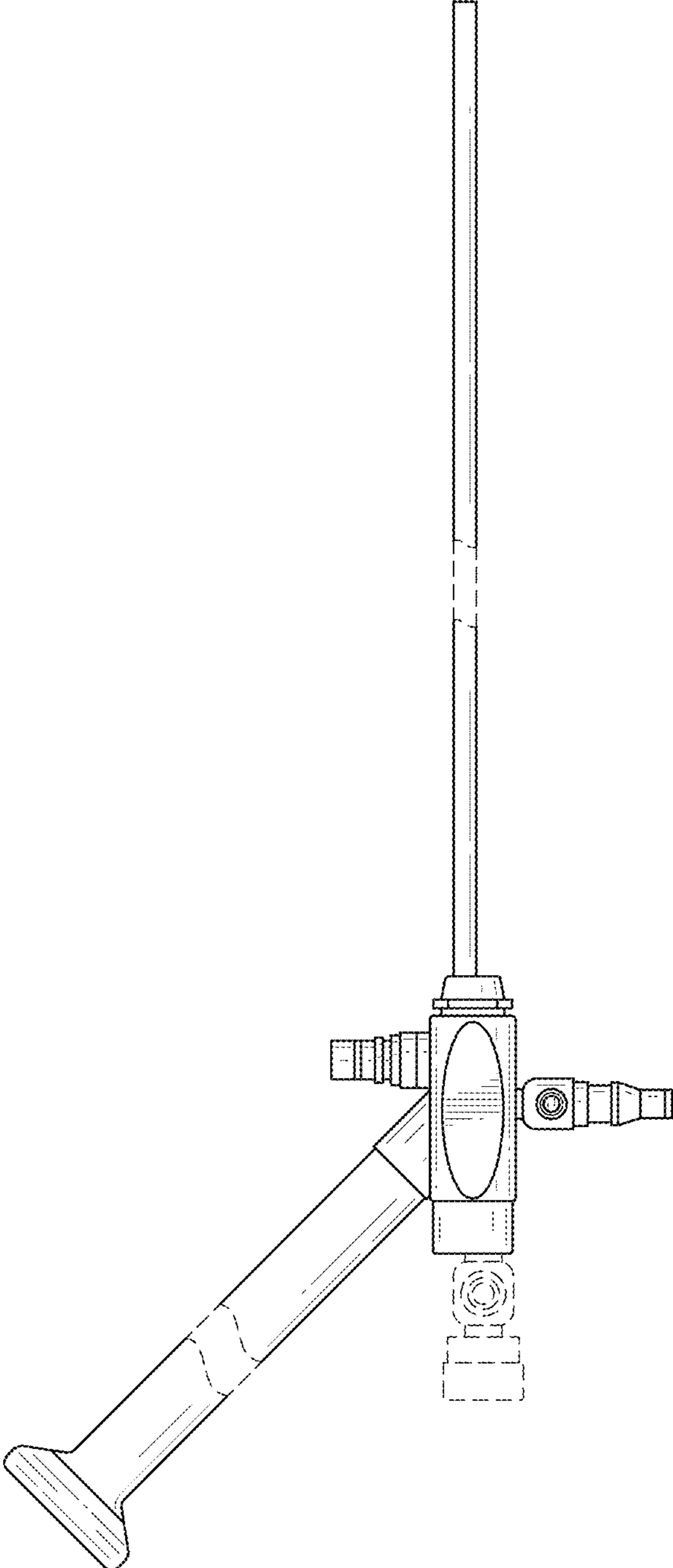


FIG.2

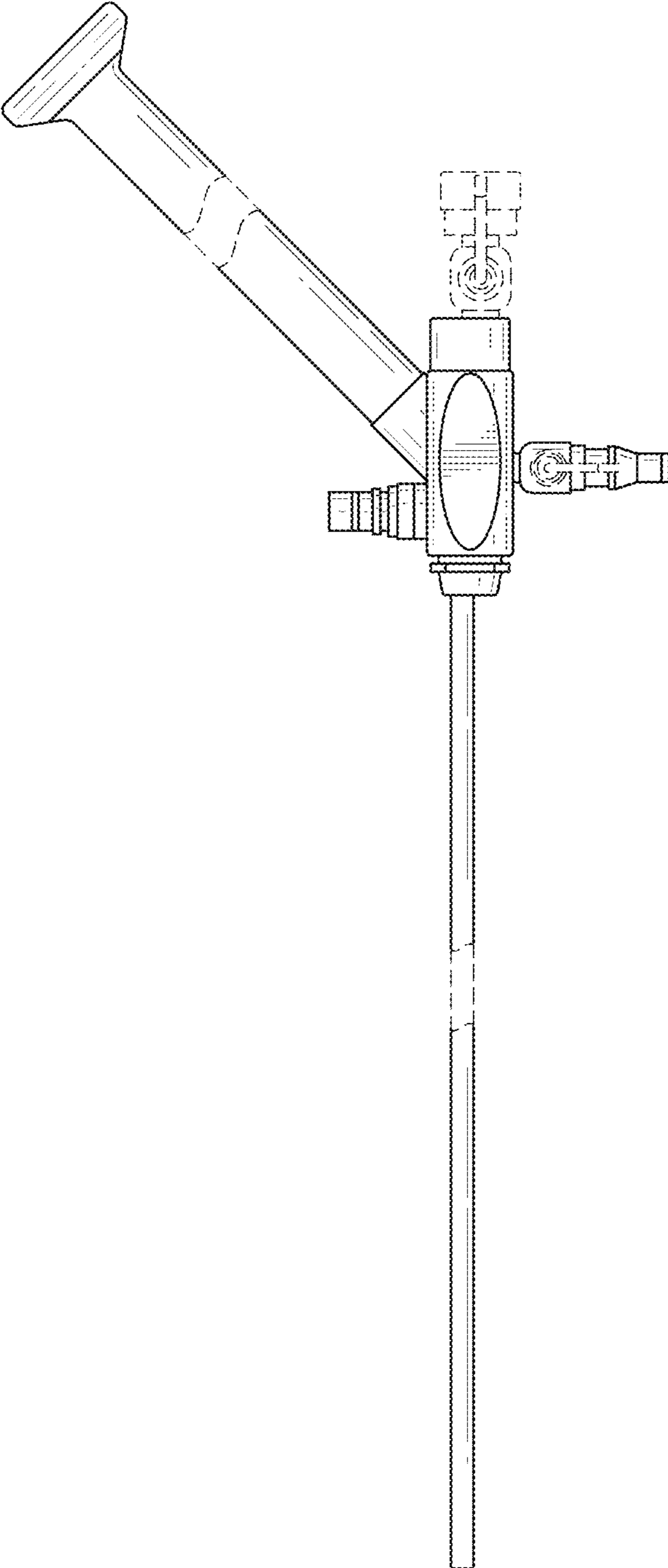


FIG.3

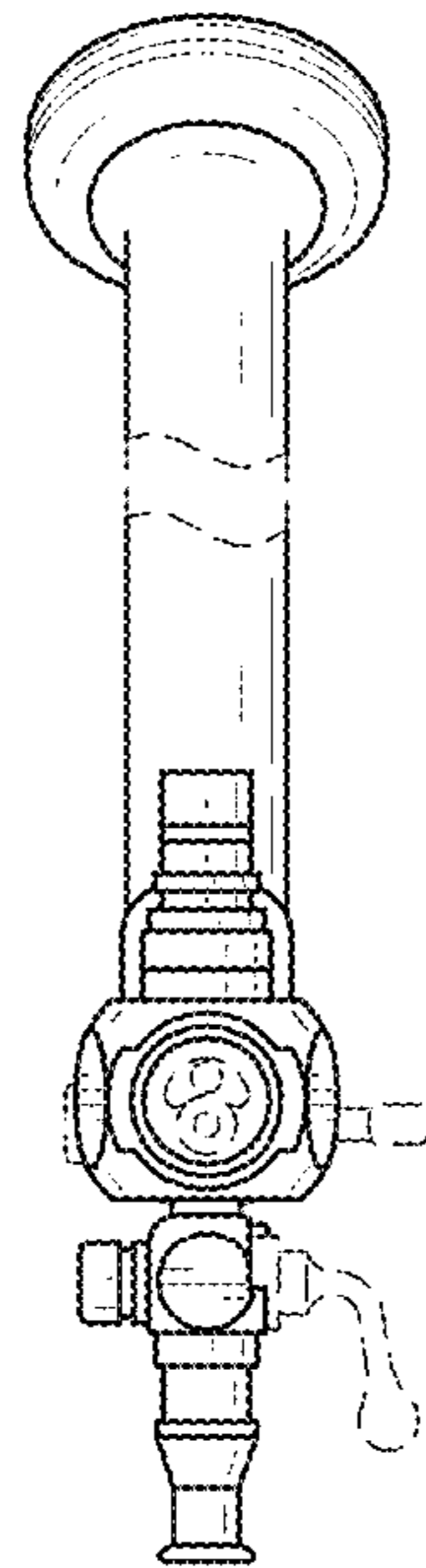


FIG.4

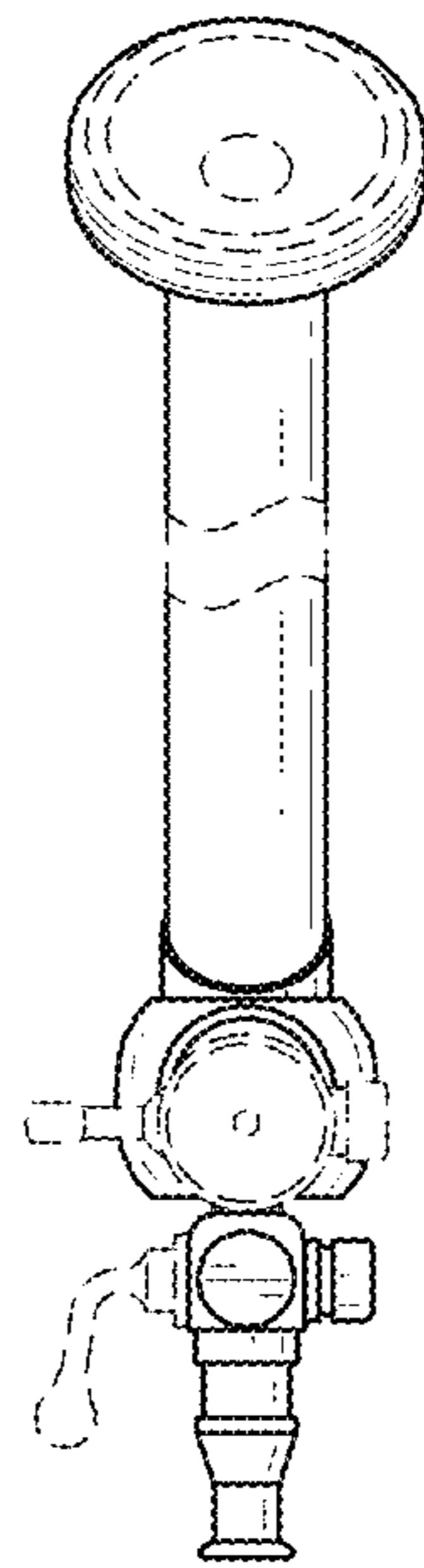


FIG.5

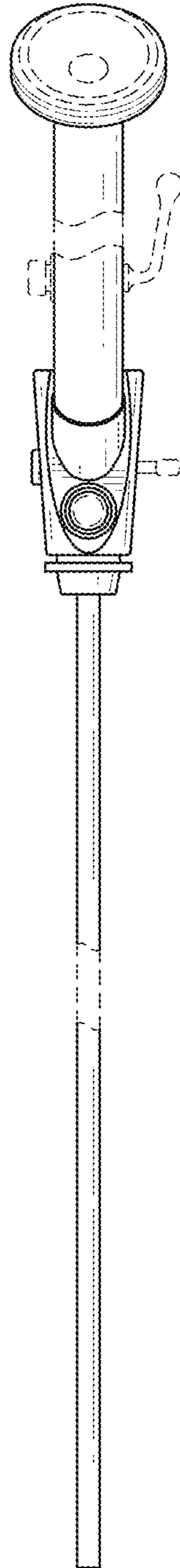


FIG.6

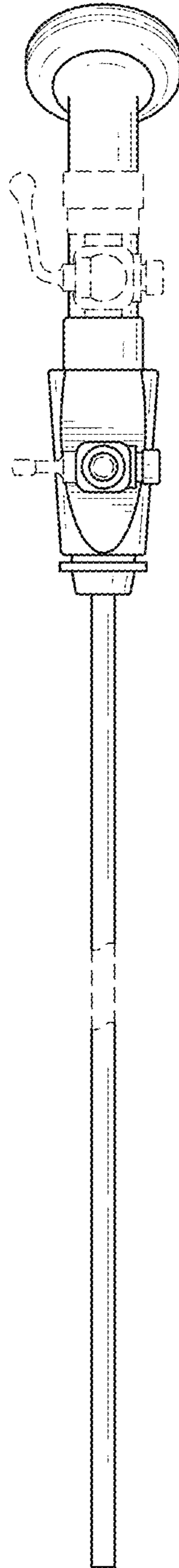


FIG.7