



US00D782038S

(12) **United States Design Patent**
Nagele et al.

(10) **Patent No.:** **US D782,038 S**
(45) **Date of Patent:** **** Mar. 21, 2017**

(54) **NEPHROSCOPE**

(71) Applicant: **KARL STORZ GmbH & Co. KG,**
Tuttlingen (DE)

(72) Inventors: **Udo Nagele, Woergl (AT); Johannes Eisenlauer, Rietheim-Weilheim (DE)**

(73) Assignee: **KARL STORZ GmbH & Co. KG,**
Tuttlingen (DE)

(**) Term: **15 Years**

(21) Appl. No.: **29/548,736**

(22) Filed: **Dec. 16, 2015**

(30) **Foreign Application Priority Data**

Jun. 17, 2015 (EM) 002720706-0001

(51) **LOC (10) Cl.** **24-02**

(52) **U.S. Cl.**
USPC **D24/137**

(58) **Field of Classification Search**

USPC D24/108, 117, 118, 133, 135, 137-138,
D24/141, 222; 600/131, 132, 145-147
CPC . A61B 18/1445; A61B 18/1402; A61B 18/14;
A61B 2018/147; A61B 1/2676; A61B
1/00; A61B 1/00052; A61B 1/00066;
A61C 1/14

See application file for complete search history.

(56) **References Cited**

U.S. PATENT DOCUMENTS

D533,941 S * 12/2006 Furst D24/137
D583,470 S * 12/2008 Kupferschmid D24/138

D583,471 S * 12/2008 Kupferschmid D24/138
D663,837 S * 7/2012 Becker D24/138
D666,719 S * 9/2012 Becker D24/138
D670,385 S * 11/2012 Becker D24/138
D743,028 S * 11/2015 Teufel D24/138

(Continued)

OTHER PUBLICATIONS

U.S. Appl. No. 29/504,227, filed Oct. 3, 2014, Jochen Hofer.
(Continued)

Primary Examiner — Manpreet Matharu

Assistant Examiner — Yolanda Robinson

(74) *Attorney, Agent, or Firm* — Muncy, Geissler, Olds & Lowe, P.C.

(57) **CLAIM**

The ornamental design for a nephroscope, as shown and described.

DESCRIPTION

FIG. 1 is a front perspective view of a nephroscope according to the present invention.

FIG. 2 is a front view of the nephroscope of FIG. 1.

FIG. 3 is a rear view of the nephroscope of FIG. 1.

FIG. 4 is a left side view of the nephroscope of FIG. 1.

FIG. 5 is a right side view of the nephroscope of FIG. 1.

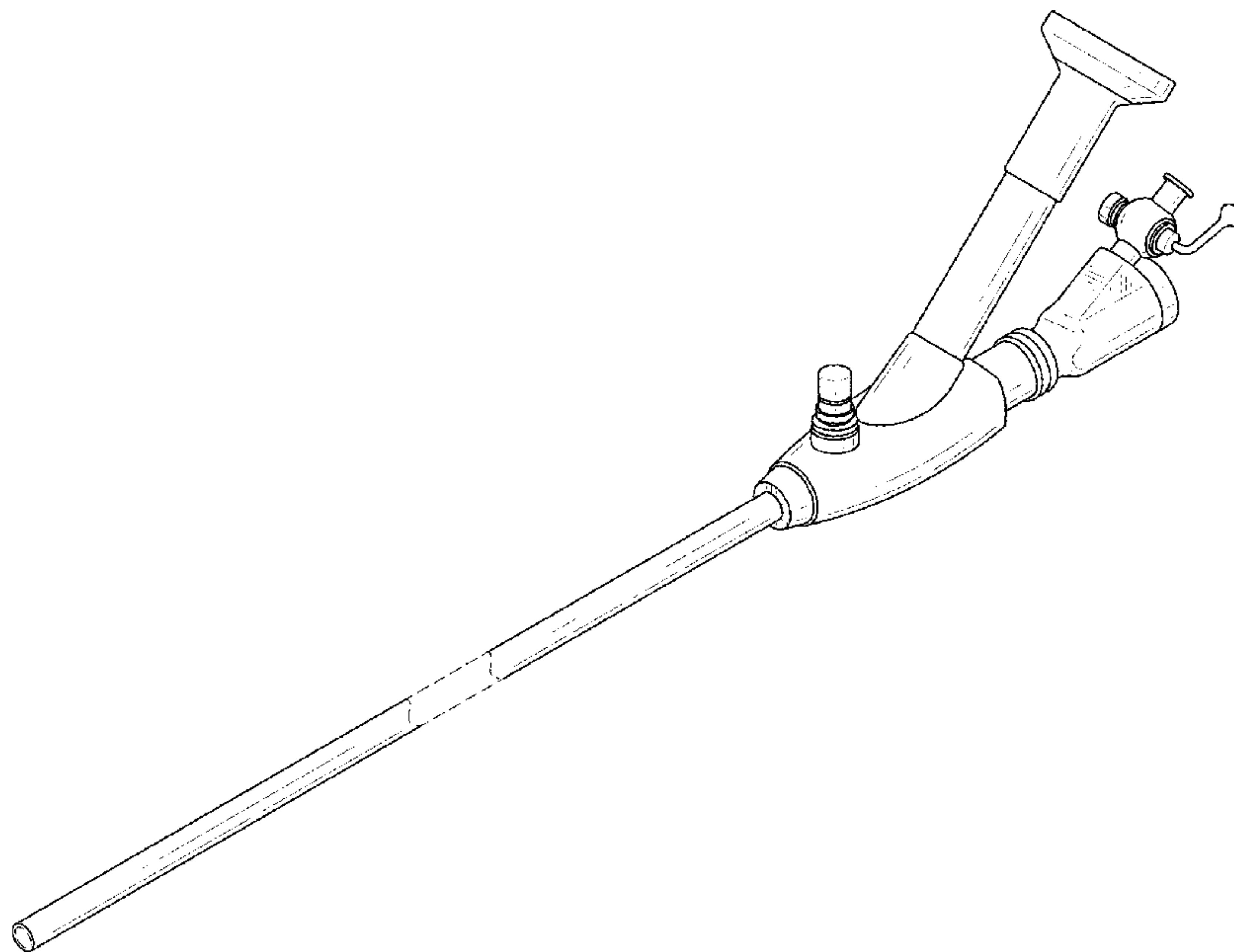
FIG. 6 is a top view of the nephroscope of FIG. 1; and,

FIG. 7 is a bottom view of the nephroscope of FIG. 1.

The dashed lines illustrate environment that does not form a part of the present invention, and no claim is made to the material illustrated with dashed lines.

The nephroscope is shown with a symbolic break in its length. The appearance of any portion of the article between the break lines forms no part of the claimed design.

1 Claim, 7 Drawing Sheets



(56)

References Cited

U.S. PATENT DOCUMENTS

D743,029 S * 11/2015 Mesle D24/138
D753,822 S * 4/2016 Teufel D24/138
D757,263 S * 5/2016 Hofer D24/138
D757,264 S * 5/2016 Eisenlauer D24/138
D757,265 S * 5/2016 Eisenlauer D24/138
D768,854 S * 10/2016 Halleck D24/138
2016/0249784 A1 * 9/2016 Bresco Torras A61B 1/12
2016/0281795 A1 * 9/2016 Schwab F16D 11/14
2016/0317219 A1 * 11/2016 Germain A61B 18/1485

OTHER PUBLICATIONS

U.S. Appl. No. 29/504,229, filed Oct. 3, 2014, Eisenlauer et al.
U.S. Appl. No. 29/504,230, filed Oct. 3, 2014, Eisenlauer et al.
U.S. Appl. No. 29/526,246, filed May 7, 2015, Teufel.
U.S. Appl. No. 29/526,248, filed May 7, 2015, Teufel.

* cited by examiner

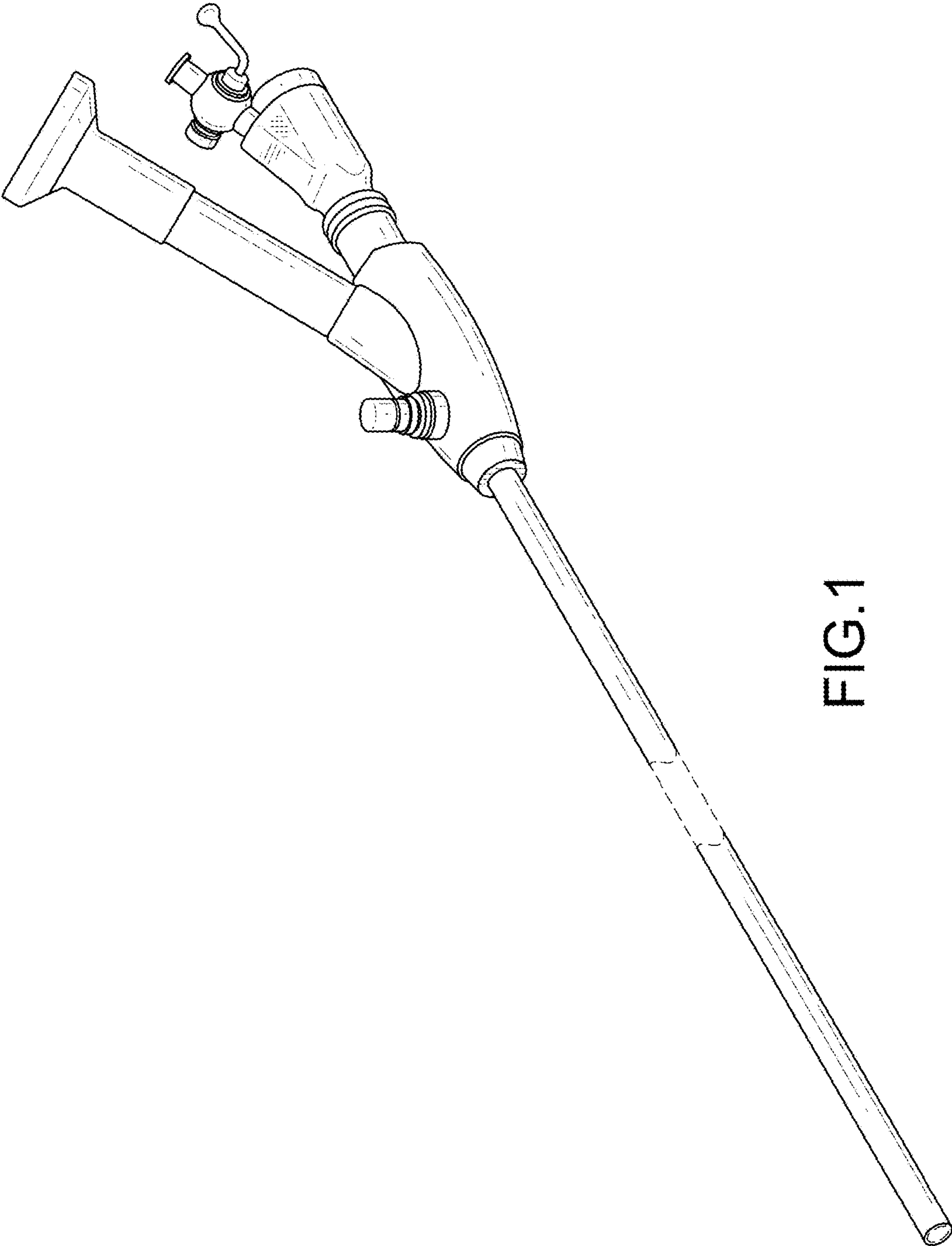


FIG.1

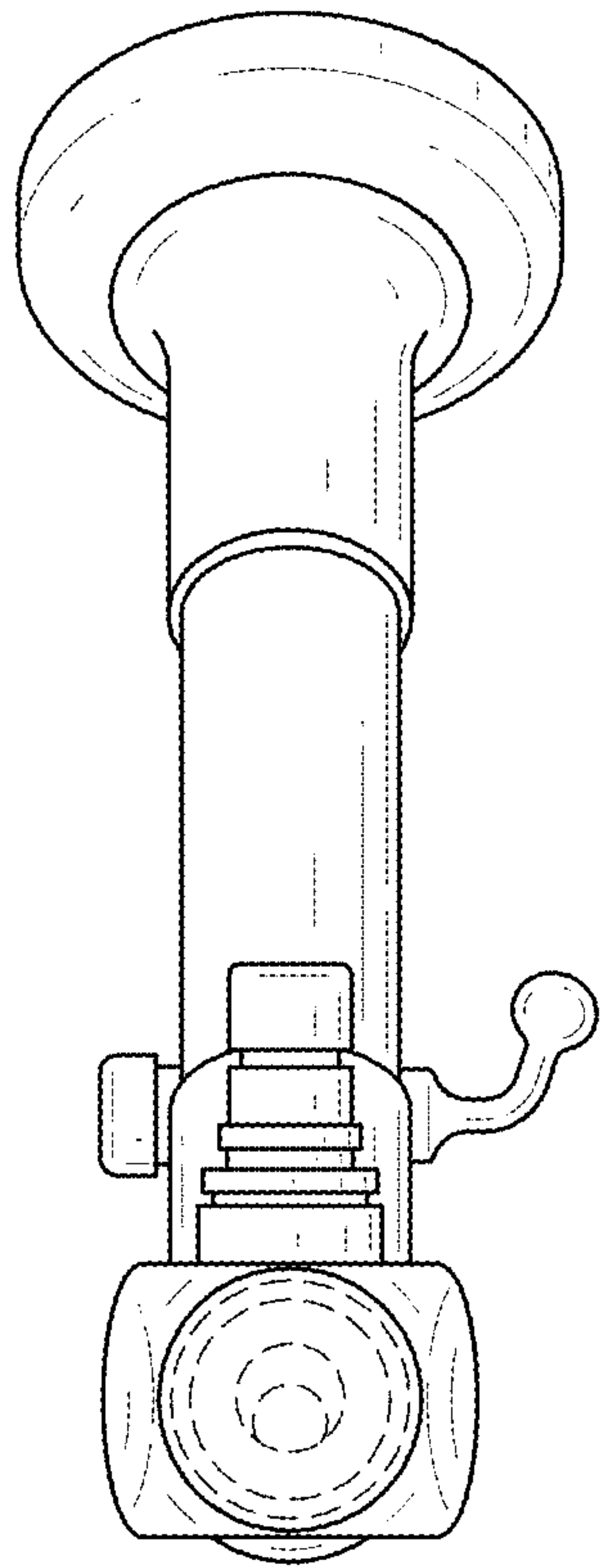


FIG.2

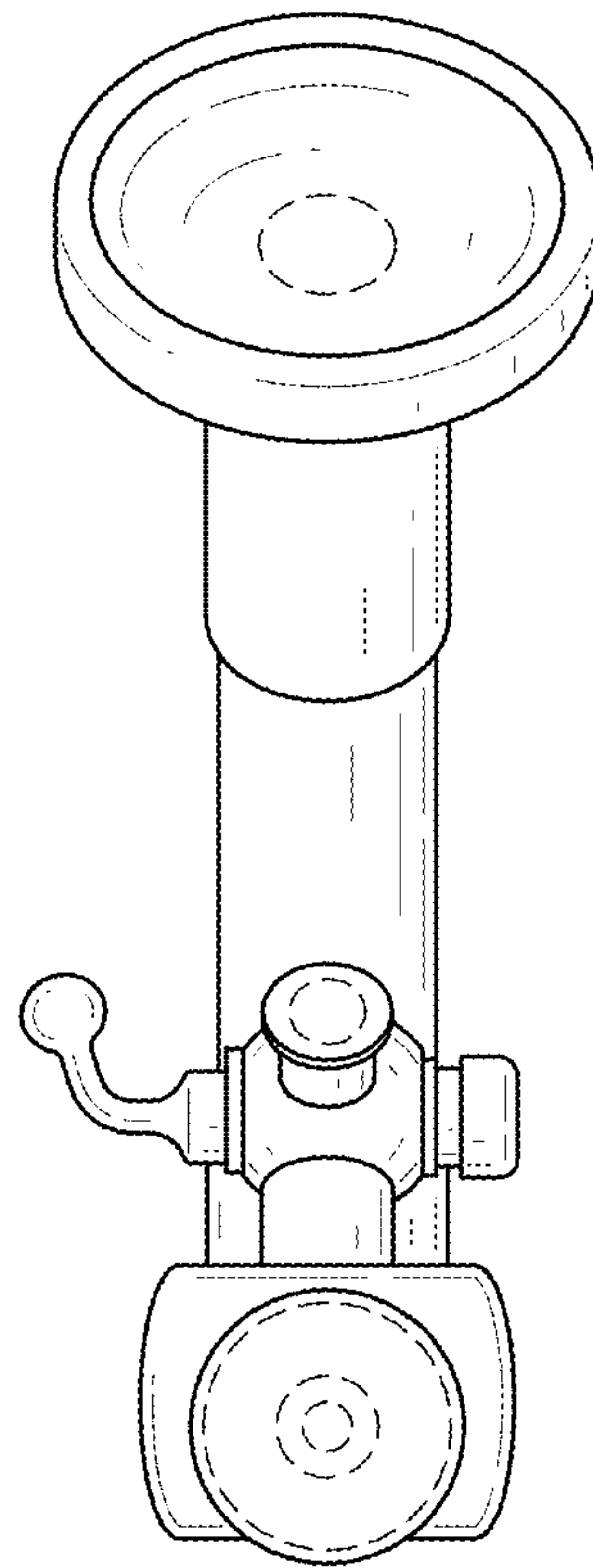


FIG.3

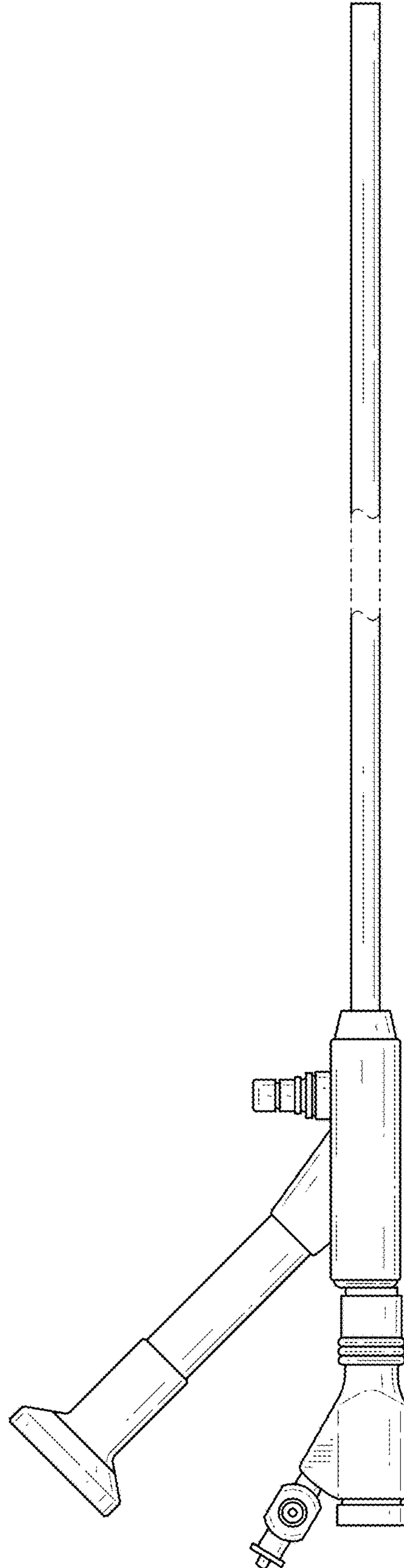


FIG.4

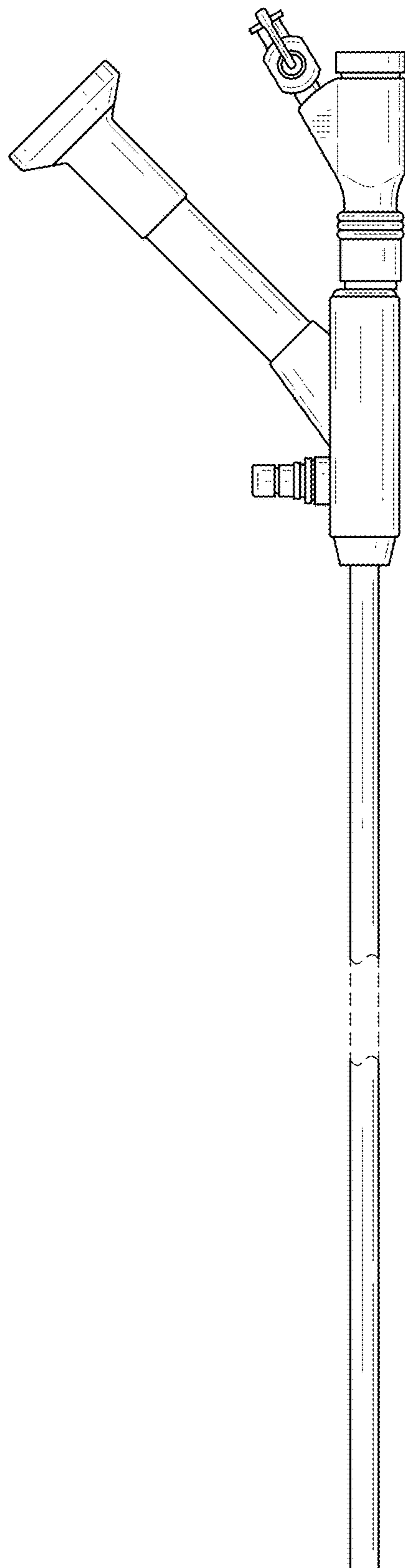


FIG.5

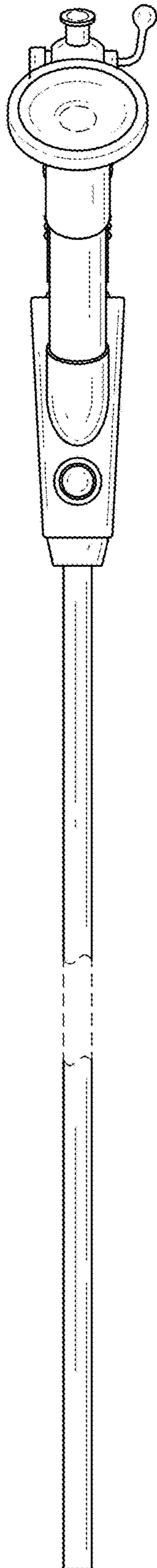


FIG.6

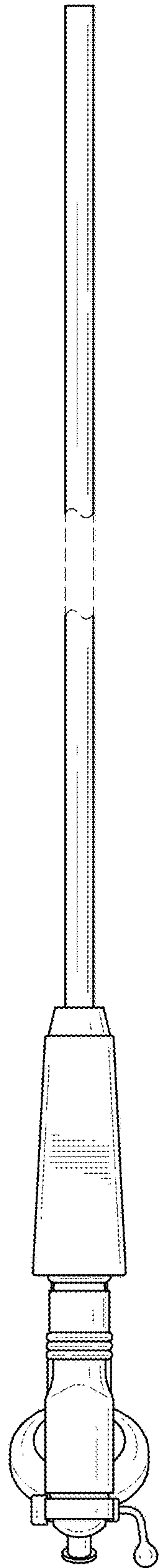


FIG.7