



US00D782037S

(12) **United States Design Patent**  
**Osyпка et al.**

(10) **Patent No.:** **US D782,037 S**

(45) **Date of Patent:** **\*\* Mar. 21, 2017**

(54) **STEERABLE GUIDING CATHETER HANDLE**

(71) Applicant: **Oscor, Inc.**, Palm Harbor, FL (US)

(72) Inventors: **Thomas P. Osypka**, Palm Harbor, FL (US); **Michael J. Gelineau**, Odessa, FL (US)

(73) Assignee: **Oscor Inc.**, Palm Harbor, FL (US)

(\*\*) Term: **14 Years**

(21) Appl. No.: **29/498,851**

(22) Filed: **Aug. 8, 2014**

(51) **LOC (10) Cl.** ..... **24-01**

(52) **U.S. Cl.**  
USPC ..... **D24/130**

(58) **Field of Classification Search**  
USPC ..... D24/127-131, 112-114, 133, 186;  
606/181, 185; 604/264, 272, 115, 232,  
604/187, 158, 164.08, 192, 263, 163, 181,  
604/184, 198, 227; 600/101, 139, 143;  
128/200.24, 207.14, 207.15  
CPC ..... A61B 18/1492; A61B 2018/00577; A61B  
2017/003; A61M 25/0147; A61M 25/0136  
See application file for complete search history.

(56) **References Cited**

U.S. PATENT DOCUMENTS

D321,251	S *	10/1991	Jepson	.....	D24/112
5,215,540	A	6/1993	Anderhub		
5,372,587	A	12/1994	Hammerslag et al.		
5,456,664	A	10/1995	Heinzelman et al.		
D369,408	S *	4/1996	Laun	.....	D24/133
D376,204	S *	12/1996	Huculak	.....	D24/133
5,800,413	A	9/1998	Swartz et al.		
D405,232	S *	2/1999	Stevens	.....	D24/133
5,893,885	A	4/1999	Webster, Jr.		
6,004,280	A	12/1999	Buck et al.		
D422,359	S *	4/2000	Fitch	.....	D24/133

D429,526	S *	8/2000	Sullivan	.....	D24/133
6,146,355	A	11/2000	Biggs		
D465,024	S *	10/2002	Henderson	.....	D24/133
D531,308	S *	10/2006	Bendek	.....	D24/114
D538,341	S *	3/2007	Oas	.....	D19/121
7,232,422	B2	6/2007	Gibson et al.		
D546,946	S *	7/2007	Blake	.....	D24/129
D553,738	S *	10/2007	Simonson	.....	D24/133

(Continued)

OTHER PUBLICATIONS

Youtube.com, Destino twist feates, Sep. 19, 2014, <https://www.youtube.com/watch?v=rMHB0t2bXYY>.\*

(Continued)

*Primary Examiner* — David Muller

*Assistant Examiner* — Nathan Johnston

(74) *Attorney, Agent, or Firm* — Locke Lord LLP; Scott D. Wofsy

(57) **CLAIM**

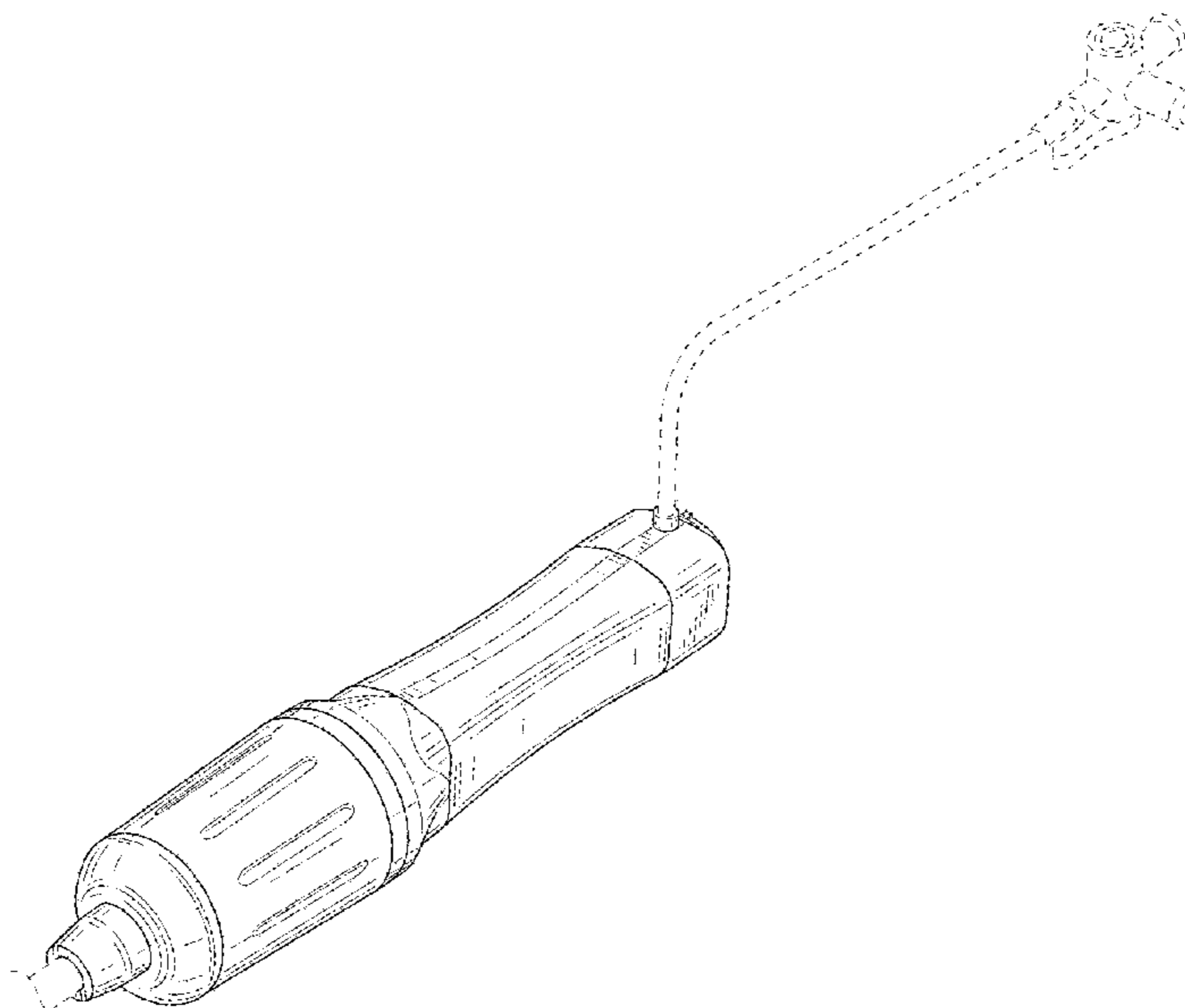
The ornamental design for a steerable guiding catheter handle, as shown and described.

**DESCRIPTION**

FIG. 1 is a perspective view of a steerable guiding catheter handle showing our new design; FIG. 2 is a right side elevation view thereof; FIG. 3 is a left side elevation view thereof; FIG. 4 is a top plan view thereof; FIG. 5 is a bottom plan view thereof; FIG. 6 is a front elevation view thereof; and, FIG. 7 is a rear elevation view thereof.

The structural features depicted in broken lines have been shown for purposes of illustrating portions of the steerable guiding catheter handle that form no part of the claimed design.

**1 Claim, 4 Drawing Sheets**



(56)

**References Cited**

U.S. PATENT DOCUMENTS

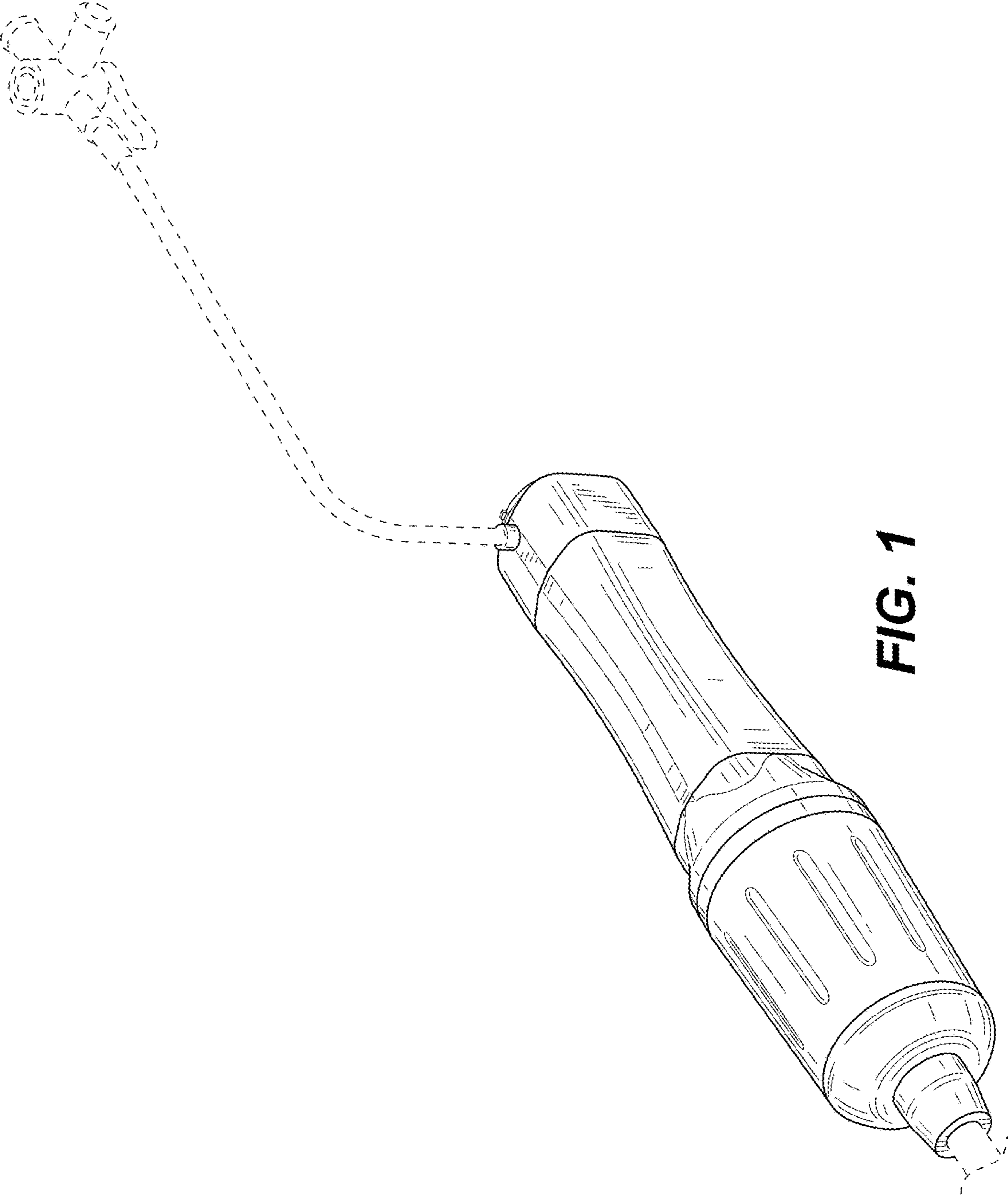
D555,241 S \* 11/2007 Nakanishi ..... D24/133  
 D612,044 S \* 3/2010 Scheibe ..... D24/130  
 D648,851 S \* 11/2011 Copeland ..... D24/112  
 D675,318 S \* 1/2013 Luk ..... D24/130  
 8,348,888 B2 1/2013 Selkee  
 D677,785 S \* 3/2013 Stones ..... D24/113  
 8,512,313 B2 \* 8/2013 Atkinson ..... A61M 25/0017  
 604/264  
 D708,740 S 7/2014 Osypka et al.  
 D726,905 S \* 4/2015 Tegg ..... D24/130  
 D739,005 S \* 9/2015 Matsumura ..... D24/108  
 2006/0041295 A1 2/2006 Osypka  
 2006/0184105 A1 \* 8/2006 Townsend ..... A61M 25/0054  
 604/93.01  
 2008/0097386 A1 4/2008 Osypka  
 2010/0087847 A1 \* 4/2010 Hong ..... A61B 5/1411  
 606/181

2010/0106141 A1 4/2010 Osypka et al.  
 2014/0088516 A1 \* 3/2014 Stevenson ..... A61M 5/00  
 604/263  
 2015/0231365 A1 \* 8/2015 Stenzel ..... A61M 25/0127  
 600/417  
 2015/0258307 A1 \* 9/2015 Osypka ..... A61M 25/0136  
 604/529  
 2015/0270634 A1 \* 9/2015 Buesseler ..... H01R 13/02  
 606/41  
 2015/0335861 A1 \* 11/2015 Osypka ..... A61M 25/0147  
 604/95.04

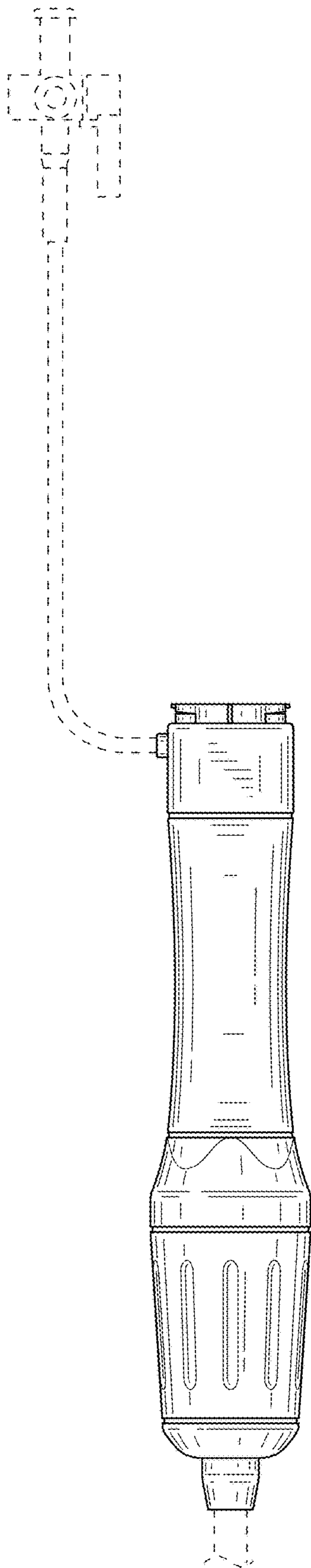
OTHER PUBLICATIONS

Oscor.com, Destino Twist Deflectable Steerable Guiding Sheath, Dec. 10, 2015, <http://www.oscor.com/pdfs/guiding-sheath-destino-twist-deflectable-steerable.pdf>.\*

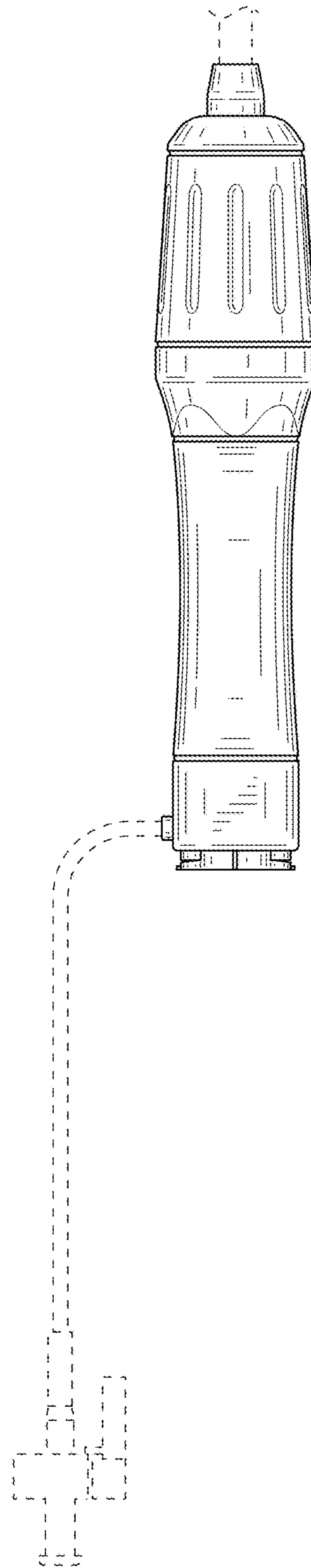
\* cited by examiner



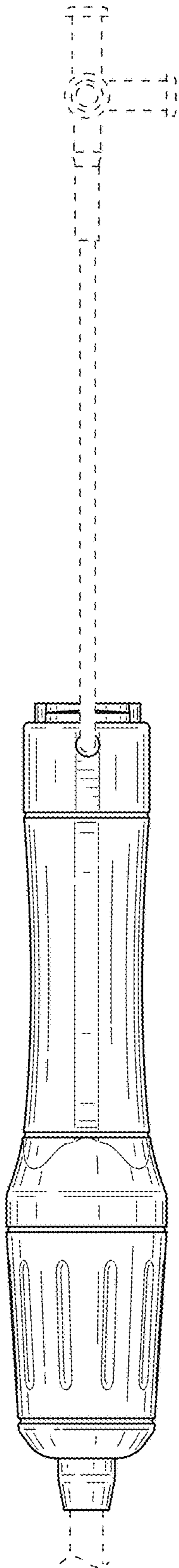
**FIG. 1**



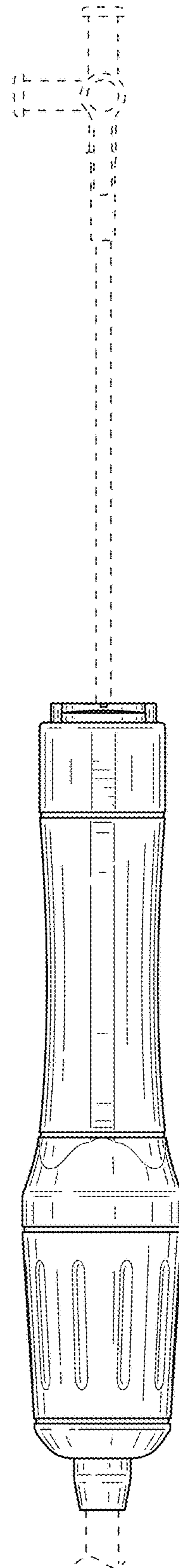
**FIG. 2**



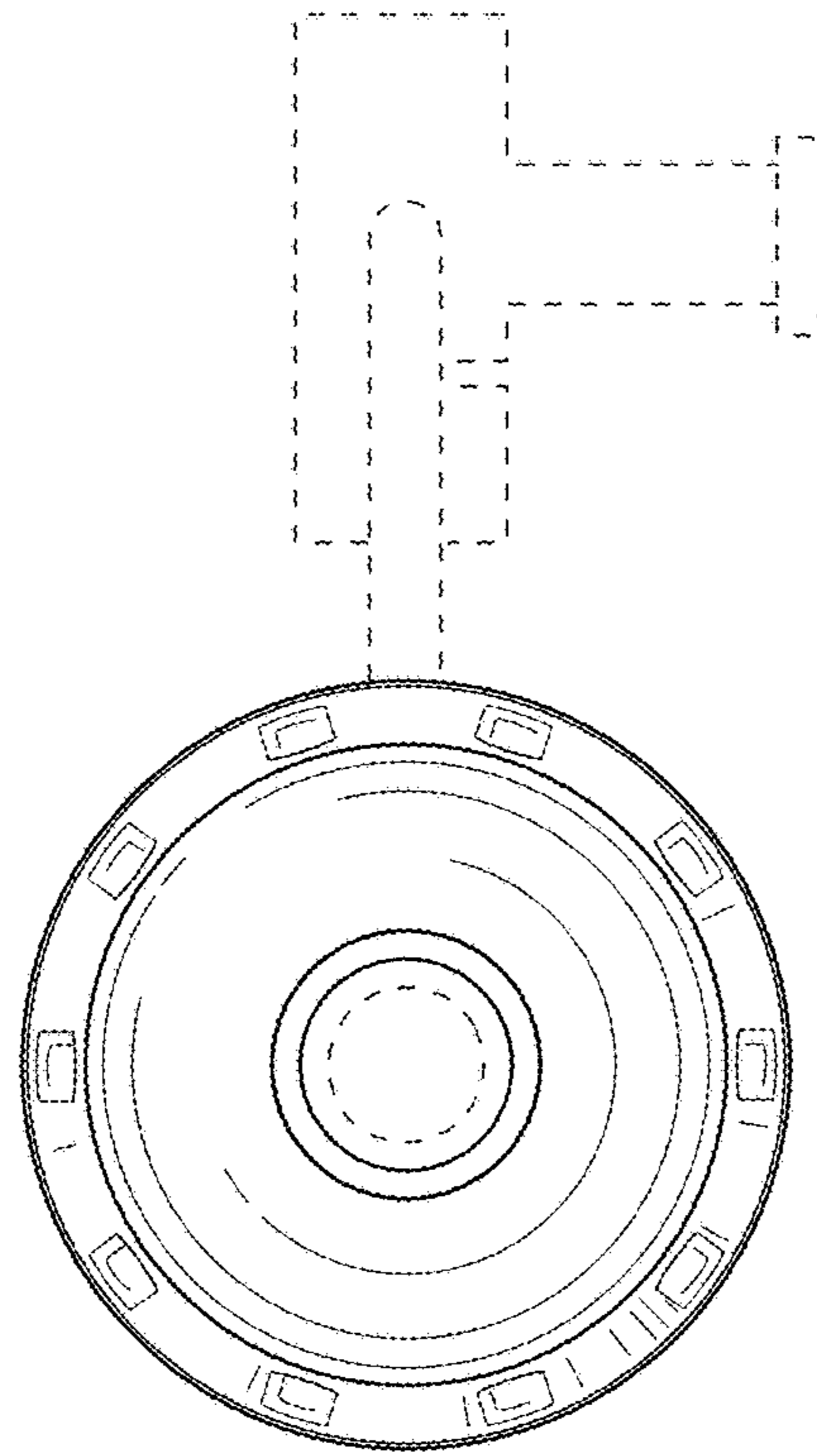
**FIG. 3**



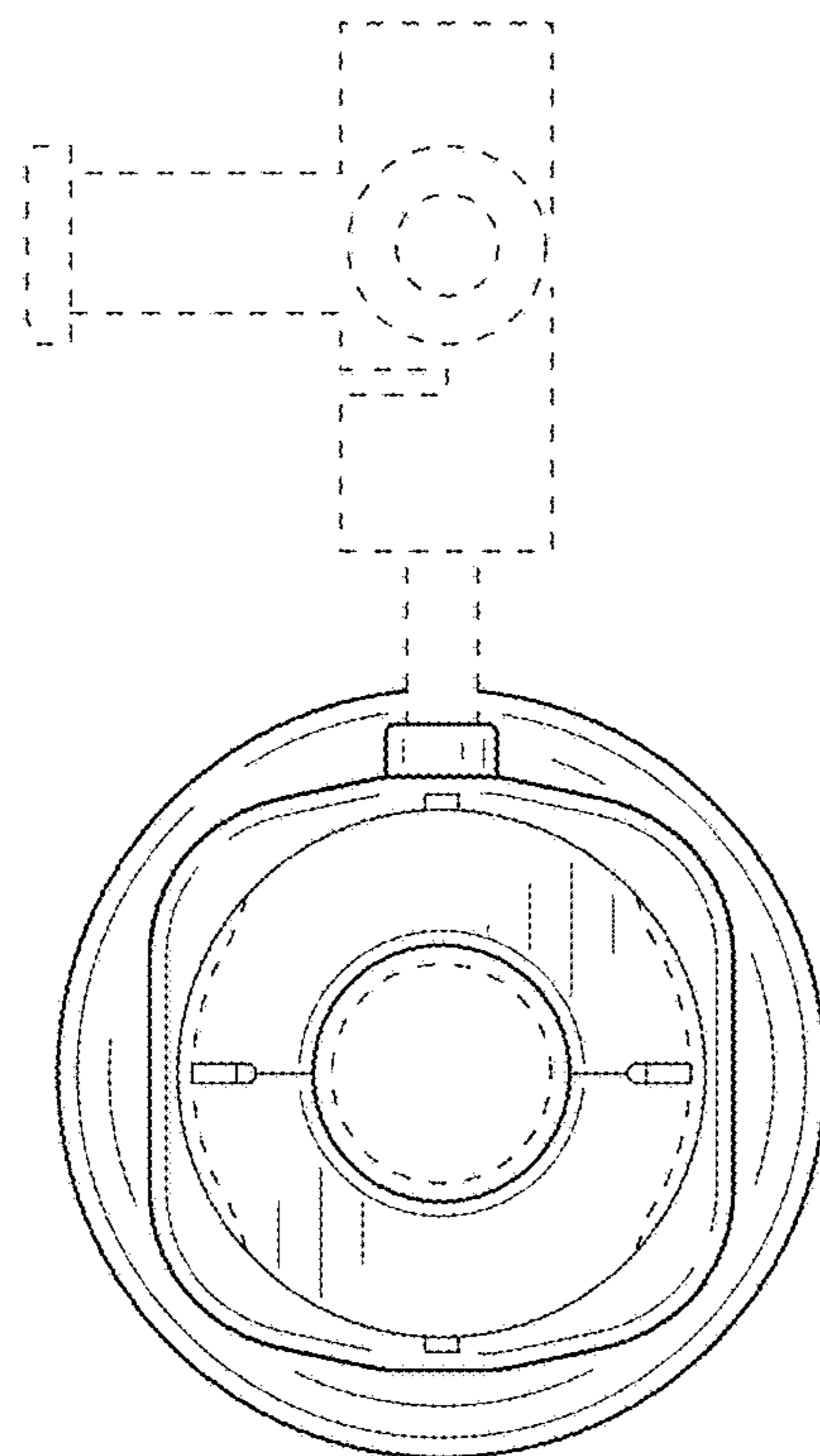
**FIG. 4**



**FIG. 5**



**FIG. 6**



**FIG. 7**