



US00D782036S

(12) **United States Design Patent** (10) **Patent No.:** **US D782,036 S**
Cai (45) **Date of Patent:** **** Mar. 21, 2017**

(54) **SEMEN COLLECTION DEVICE**
(71) Applicant: **Danzhi Cai**, Shenzhen (CN)
(72) Inventor: **Danzhi Cai**, Shenzhen (CN)
(73) Assignee: **Danzhi Cai**, Shenzhen (CN)
(**) Term: **14 Years**
(21) Appl. No.: **29/509,611**
(22) Filed: **Nov. 19, 2014**
(51) **LOC (10) Cl.** **24-04**
(52) **U.S. Cl.**
USPC **D24/121**
(58) **Field of Classification Search**
USPC D24/121–123, 107, 108, 224, 216, 215,
D24/130, 144, 111; D9/716, 524, 435,
D9/441, 447, 730, 733, 781;
D7/509–511, 309, 305, 900, 538, 539,
D7/321, 589; 604/317; 600/38, 573, 579;
222/136, 129
CPC B29C 45/2602; A61H 19/00
See application file for complete search history.

(56) **References Cited**

U.S. PATENT DOCUMENTS

D261,105 S * 10/1981 Schwartz D9/504
D567,957 S * 4/2008 Critchley D24/105
D621,220 S * 8/2010 Lown D7/300.1
7,993,315 B2 * 8/2011 Matsuura A61B 10/0058
600/38
D644,516 S * 9/2011 Howell D9/435
D683,016 S * 5/2013 Mirza D24/112
D688,795 S * 8/2013 Matsuura D24/121
8,550,269 B2 * 10/2013 Lane B65D 47/066
215/229

D732,340 S * 6/2015 Kane D7/509
D733,888 S * 7/2015 Tuhkanen D24/167
D744,110 S * 11/2015 Kubo D24/186
2007/0084885 A1 * 4/2007 Conway B65D 47/265
222/548
2010/0174257 A1 * 7/2010 Matsuura A61B 10/0058
604/347

* cited by examiner

Primary Examiner — David Muller
Assistant Examiner — Nathan Johnston
(74) *Attorney, Agent, or Firm* — Zhigang Ma

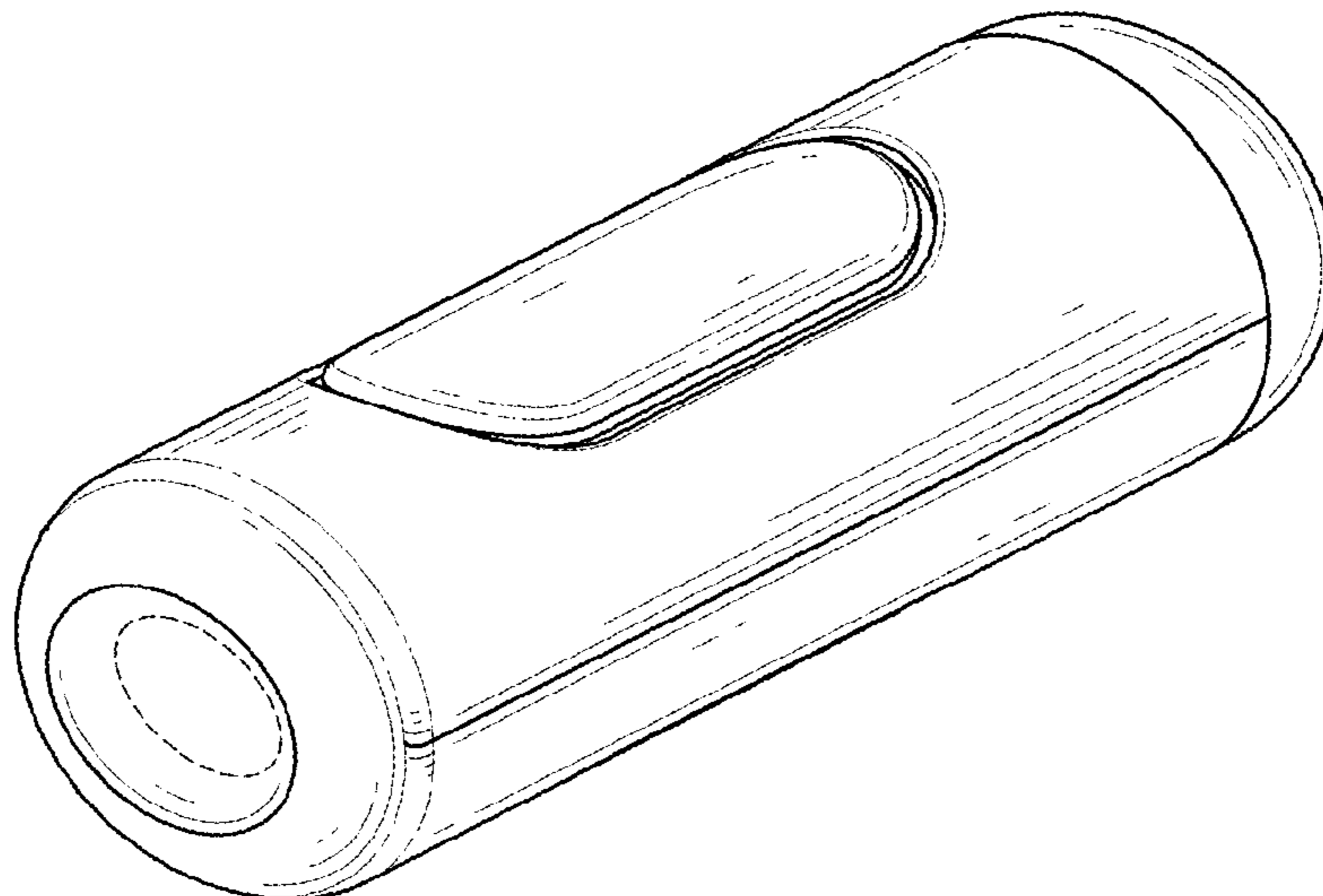
(57) **CLAIM**

The ornamental design for a semen collection device, as shown and described.

DESCRIPTION

FIG. 1 is a perspective view of a semen collection device. FIG. 2 is a front elevational view of the semen collection device illustrated in FIG. 1. FIG. 3 is a rear elevational view of the semen collection device illustrated in FIG. 1. FIG. 4 is a left-side elevational view of the semen collection device illustrated in FIG. 1. FIG. 5 is a right-side elevational view of the semen collection device illustrated in FIG. 1. FIG. 6 is a top plan view of the semen collection device illustrated in FIG. 1; and, FIG. 7 is a bottom plan view of the semen collection device illustrated in FIG. 1. The broken lines shown in the drawings represent portions of the semen collection device which form no part of the claimed design.

1 Claim, 7 Drawing Sheets



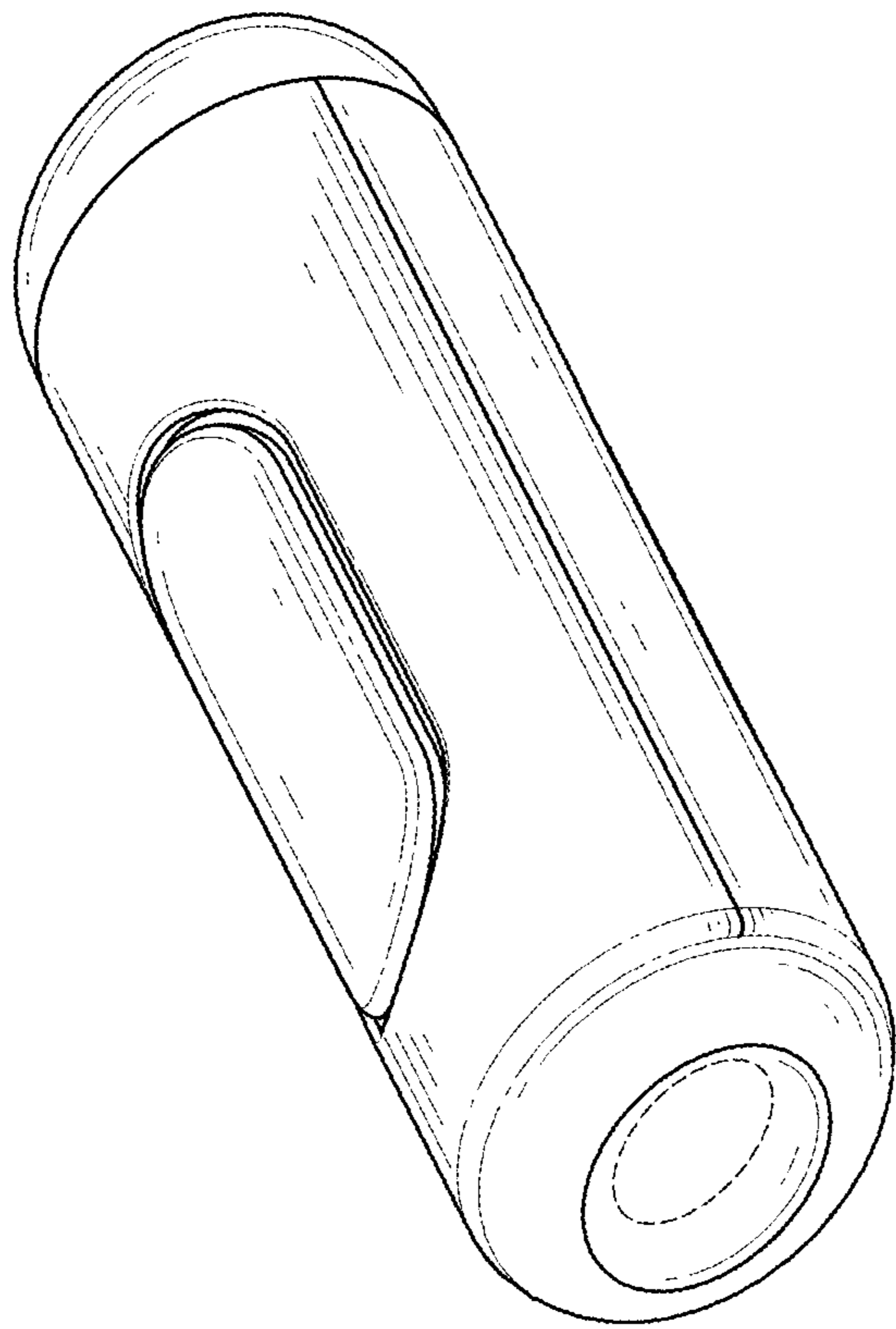


FIG. 1

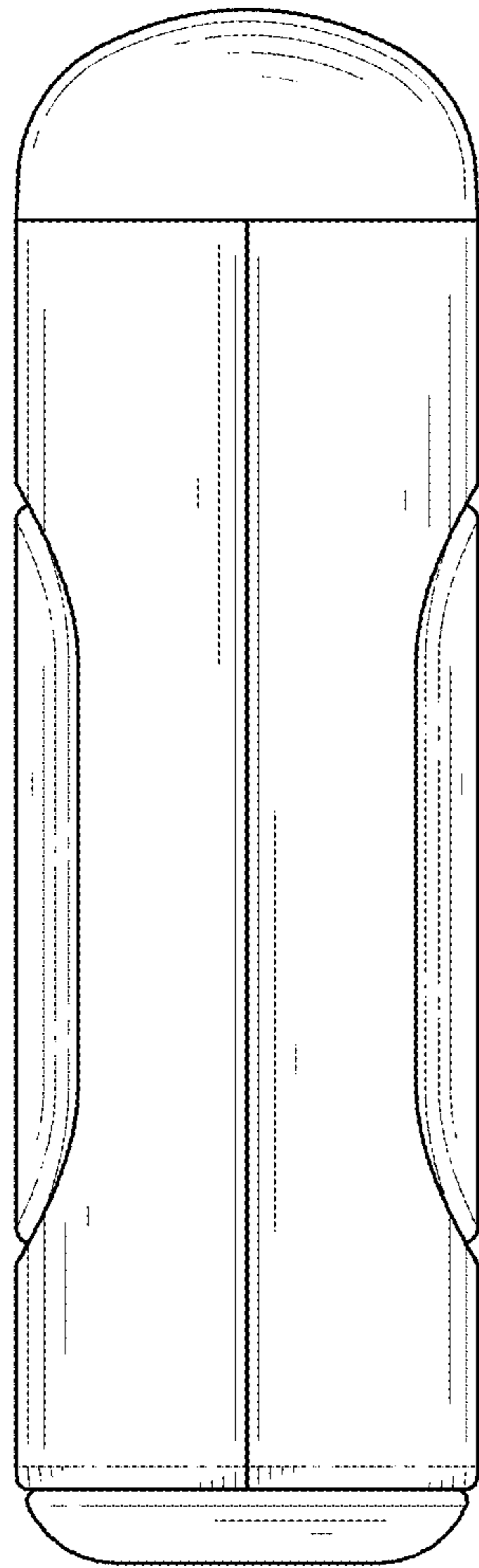


FIG. 2

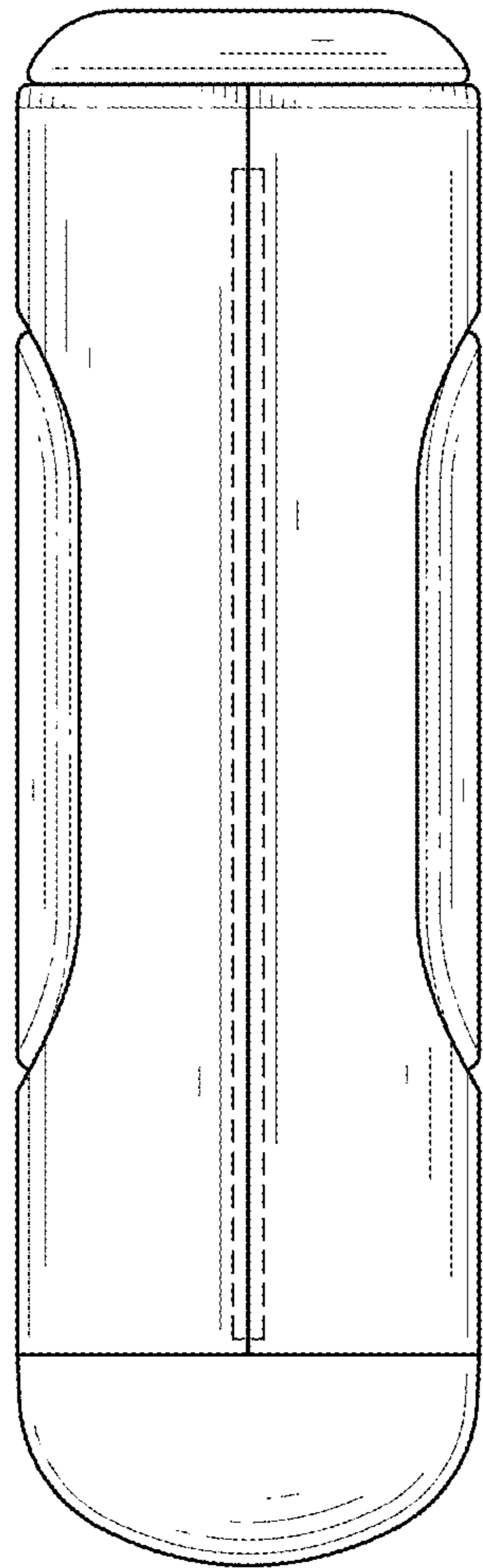


FIG. 3

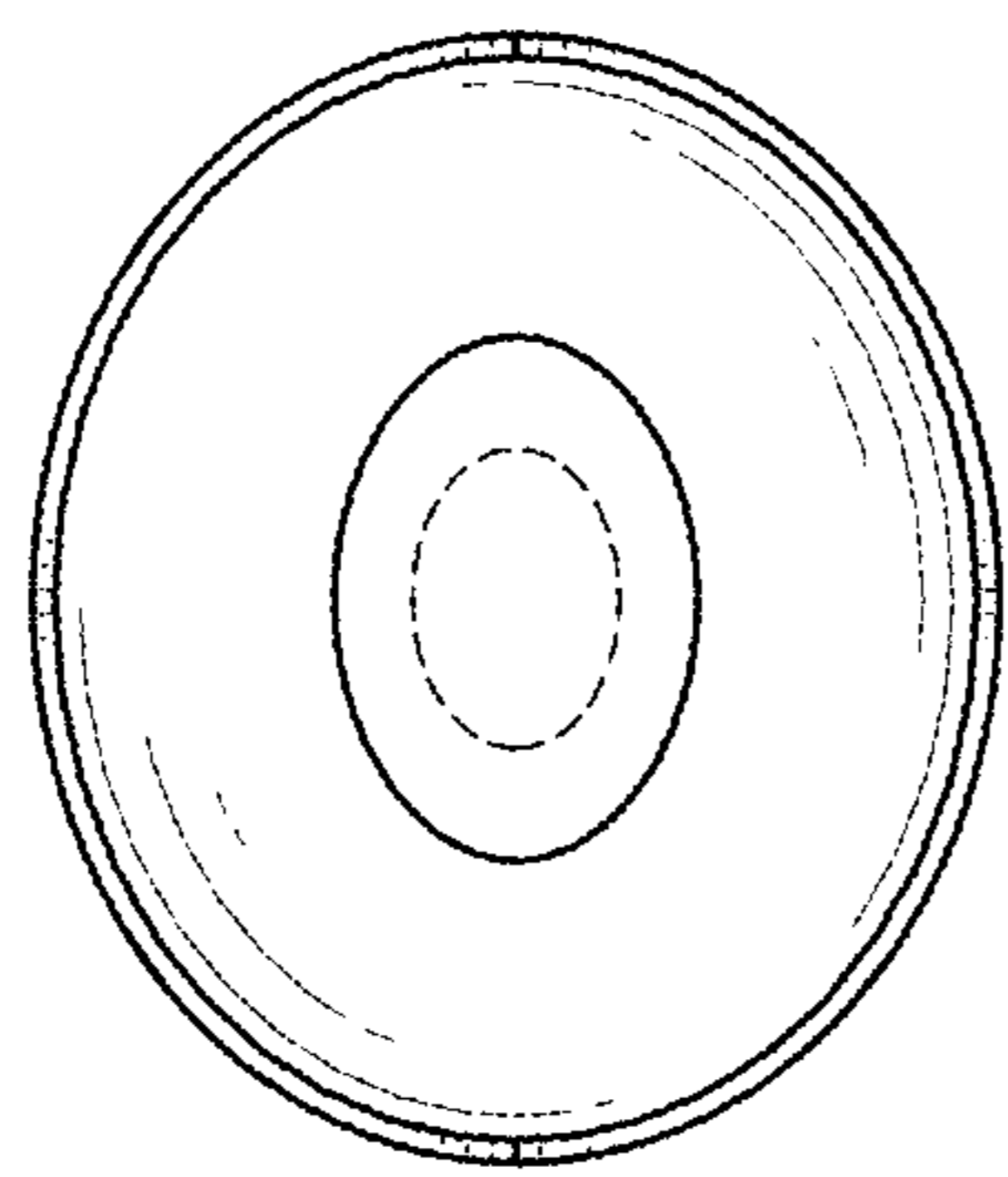


FIG. 4

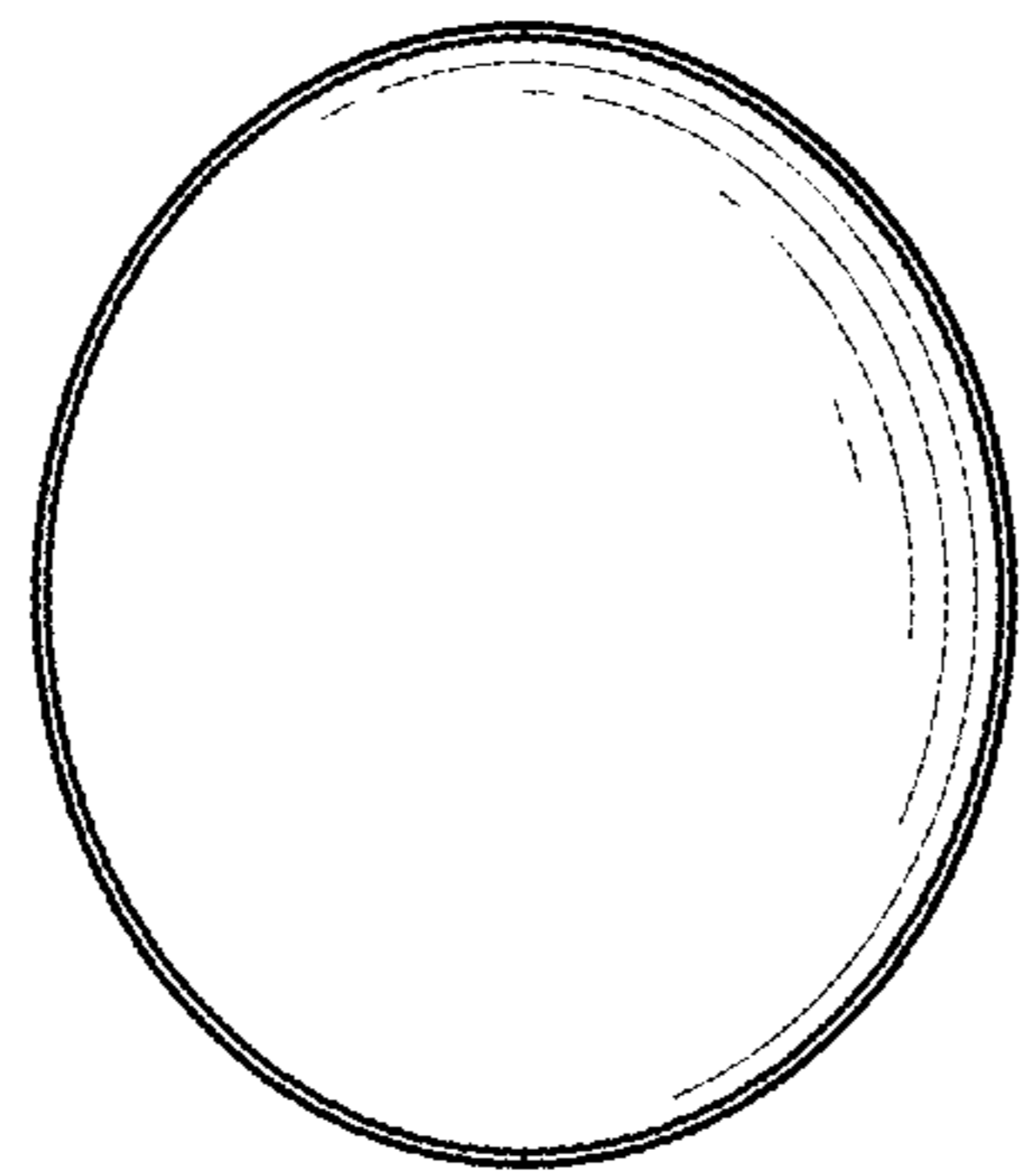


FIG. 5

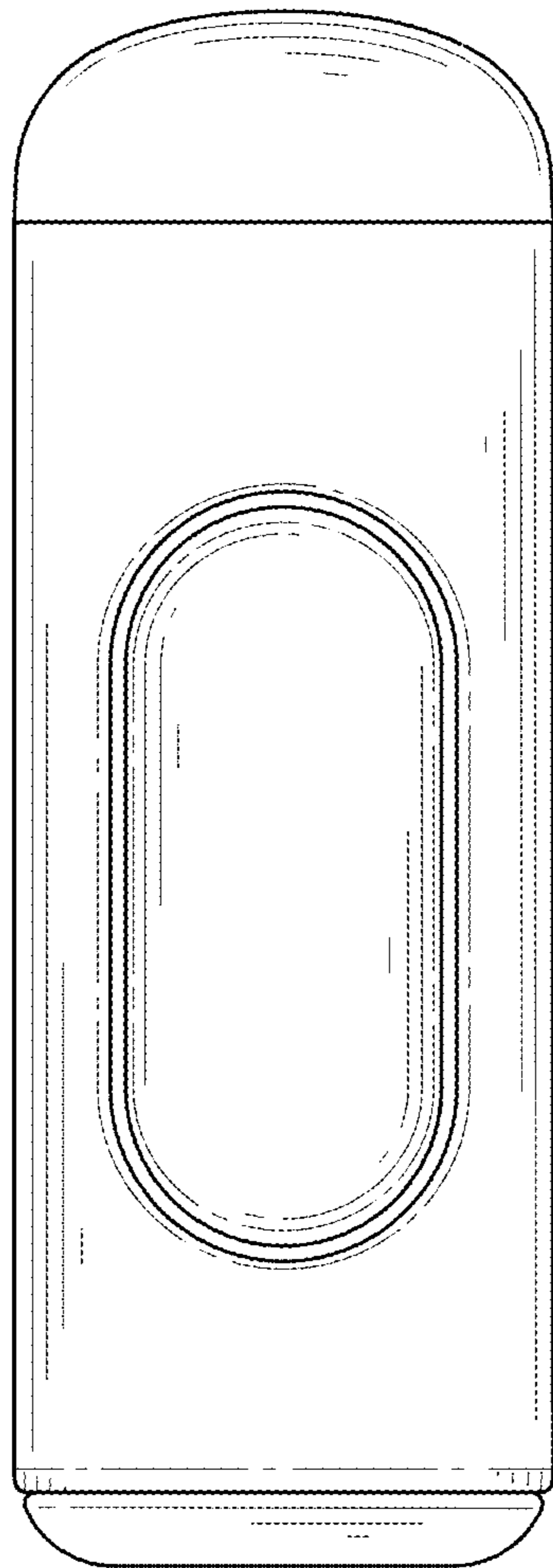


FIG. 6

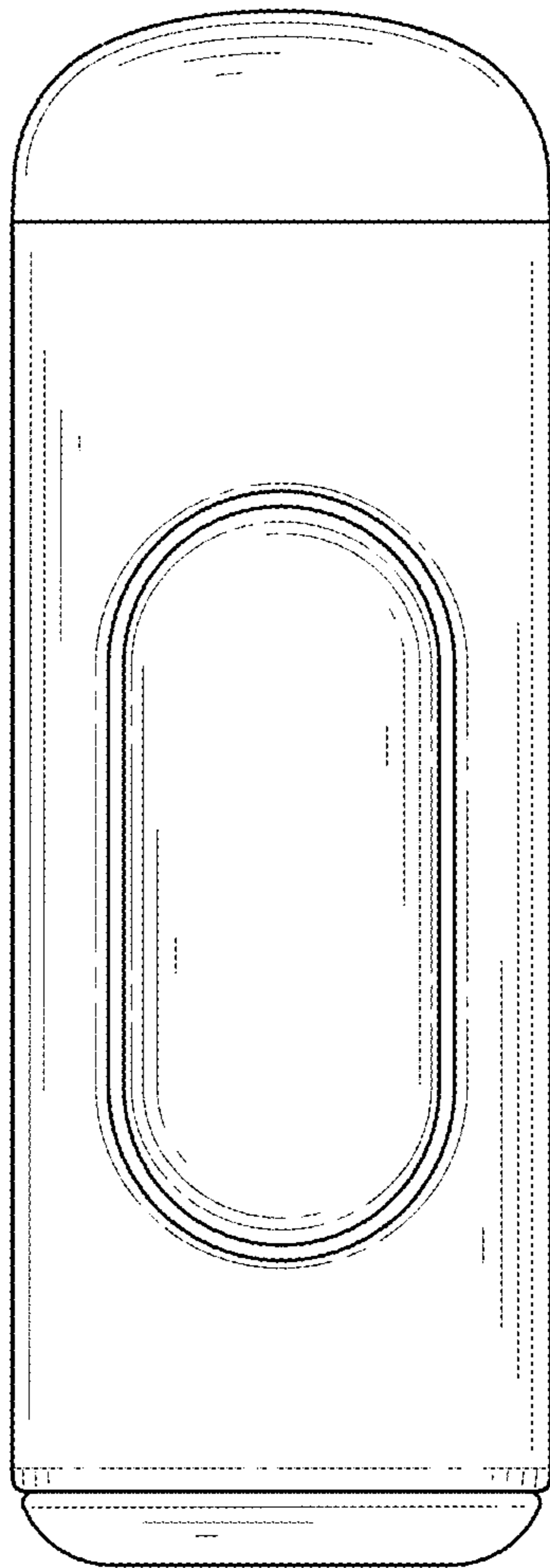


FIG. 7