



US00D782035S

(12) **United States Design Patent**
Bainton et al.

(10) **Patent No.:** **US D782,035 S**
(45) **Date of Patent:** **** Mar. 21, 2017**

(54) **INJECTION DEVICE**

(71) Applicant: **SANOFI S.A.**, Paris (FR)
(72) Inventors: **Mike Cameron Bainton**, Warwickshire (GB); **Robert F. Veasey**, Warwickshire (GB)

(73) Assignee: **SANOFI S.A.**, Paris (FR)

(**) Term: **14 Years**

(21) Appl. No.: **29/523,133**

(22) Filed: **Apr. 7, 2015**

(30) **Foreign Application Priority Data**

Oct. 8, 2014 (EM) 002552976-0001

(51) **LOC (10) Cl.** **24-02**

(52) **U.S. Cl.**
USPC **D24/113**

(58) **Field of Classification Search**

USPC D24/112-114, 108, 133, 130, 127, 186;
606/181, 185; 604/264, 272, 187, 181,
604/184, 227

CPC A61M 5/178; A61M 3/00; A61M 5/20;
A61M 5/31; A61M 5/3146; A61M
5/3129; A61M 5/3148; A61M 5/315

See application file for complete search history.

(56) **References Cited**

U.S. PATENT DOCUMENTS

D428,651 S * 7/2000 Andersson D24/112
D481,120 S * 10/2003 Hawley D19/177

7,452,366 B2 * 11/2008 Chen A61B 5/1411
606/181
D628,690 S * 12/2010 Galbraith D24/114
D660,958 S * 5/2012 McLoughlin D24/113
D676,131 S * 2/2013 Pala D24/113
D676,548 S * 2/2013 Pala D24/113
8,758,381 B2 * 6/2014 Kuhr A61B 5/1411
606/181
D722,158 S * 2/2015 Magome D24/113
D739,005 S * 9/2015 Matsumura D24/108
D743,538 S * 11/2015 Sanders D24/113
D758,566 S * 6/2016 Chen D24/113
D758,571 S * 6/2016 Geert-Jensen D24/113

* cited by examiner

Primary Examiner — David Muller

(74) *Attorney, Agent, or Firm* — McDonnell Boehnen
Hulbert & Berghoff LLP

(57) **CLAIM**

The ornamental injection device, as shown and described.

DESCRIPTION

FIG. 1 is a perspective view of the injection device from the front and right;

FIG. 2 is front elevation view thereof;

FIG. 3 is a rear elevation view thereof;

FIG. 4 is a right side elevation view thereof;

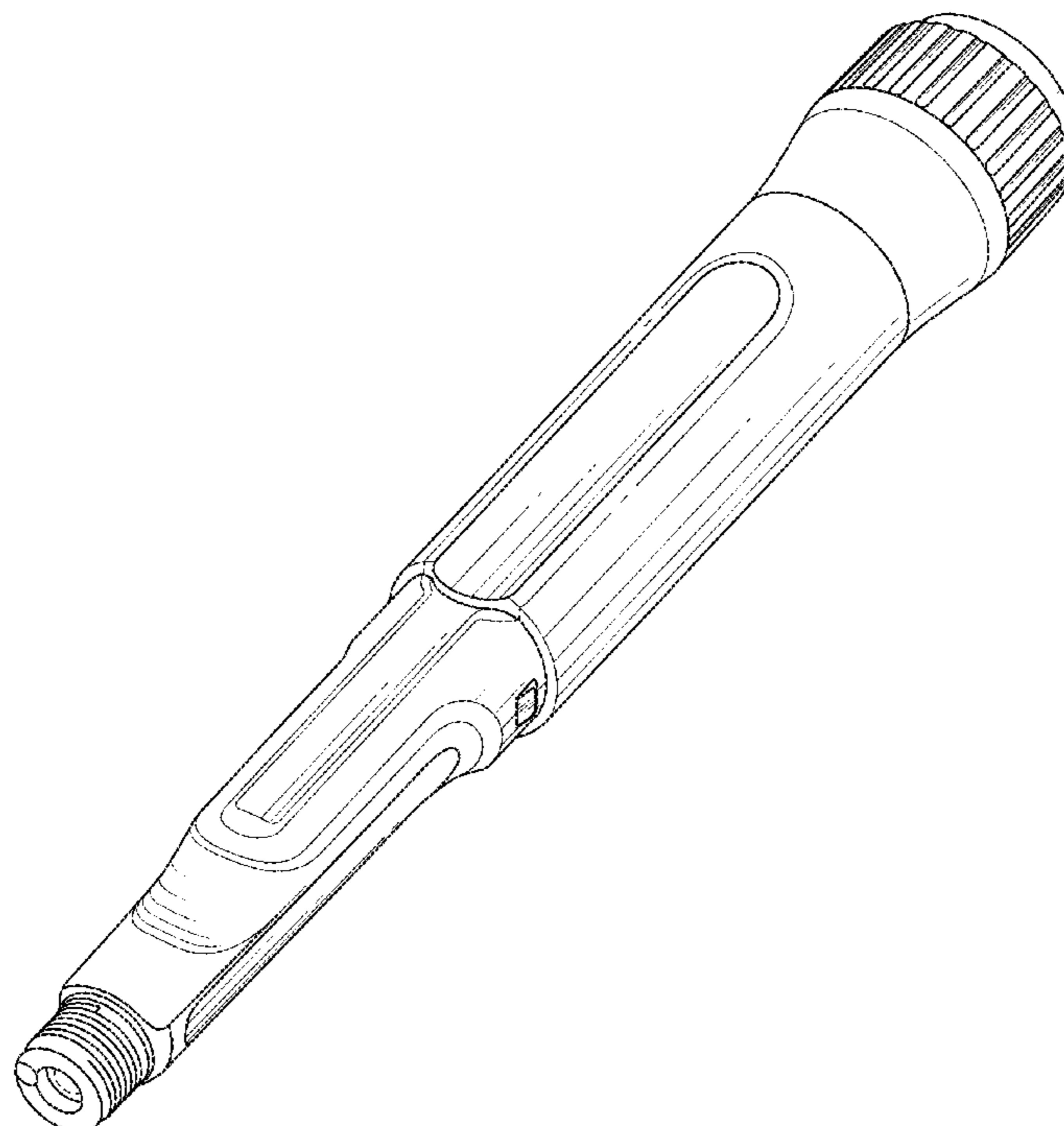
FIG. 5 is a left side elevation view thereof;

FIG. 6 is a top plan view thereof; and,

FIG. 7 is a bottom plan view thereof.

The broken line showing of parts of the drawings is included for the purpose of illustrating use and environment and forms no part of the claimed design.

1 Claim, 3 Drawing Sheets



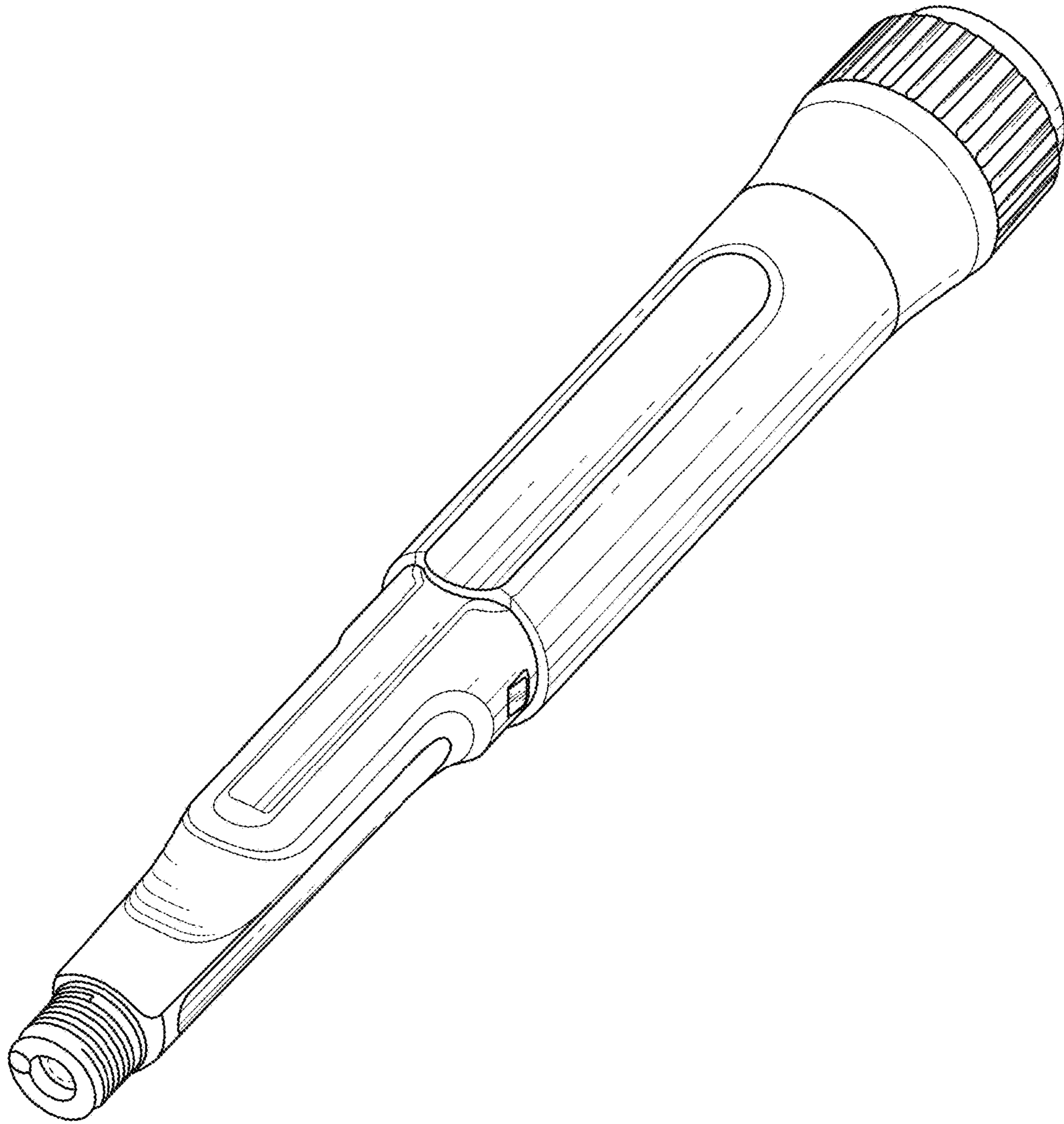


FIG. 1

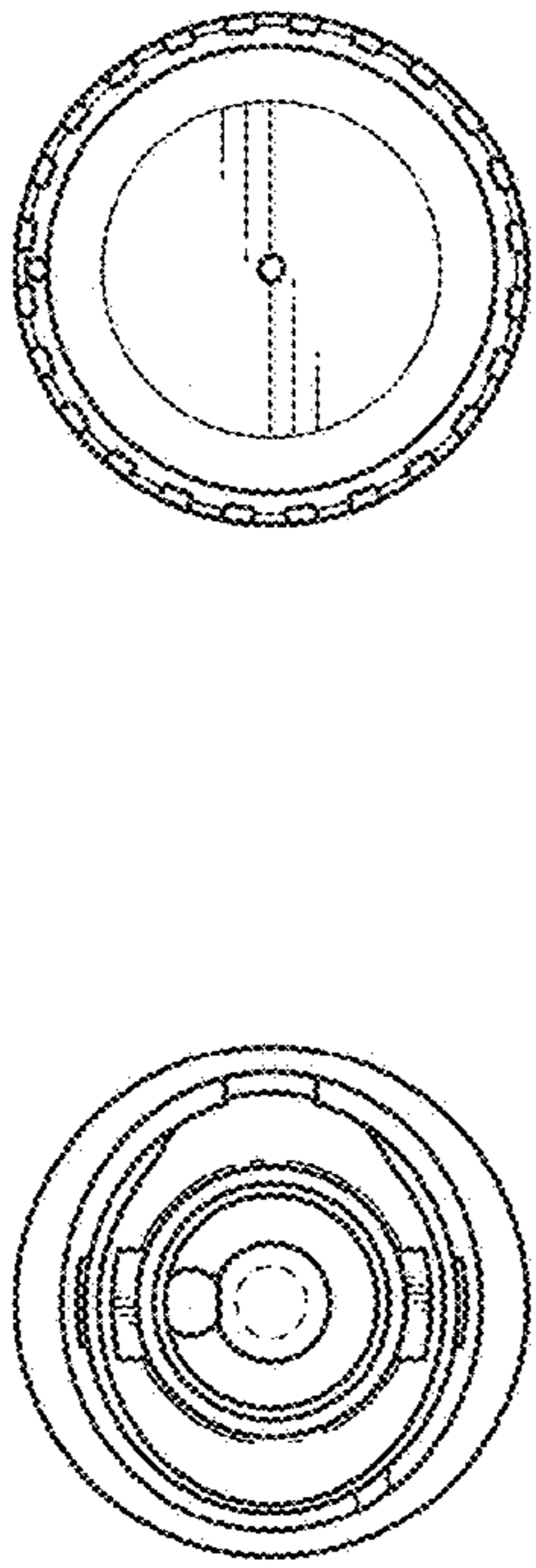


FIG. 3

FIG. 2

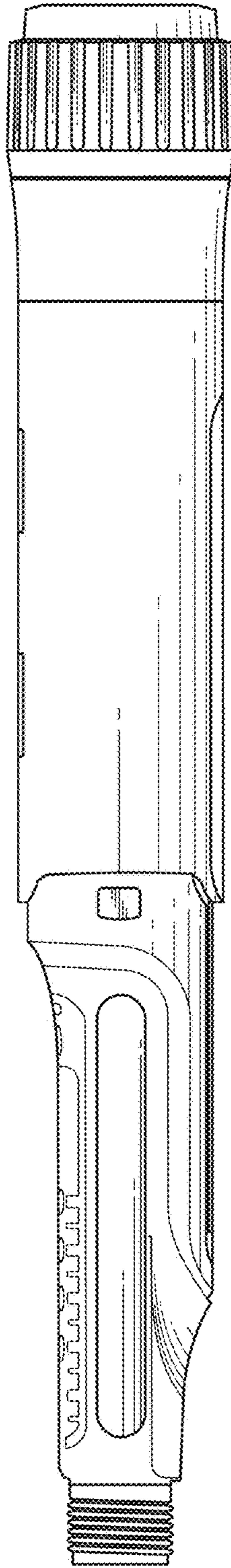


FIG. 4

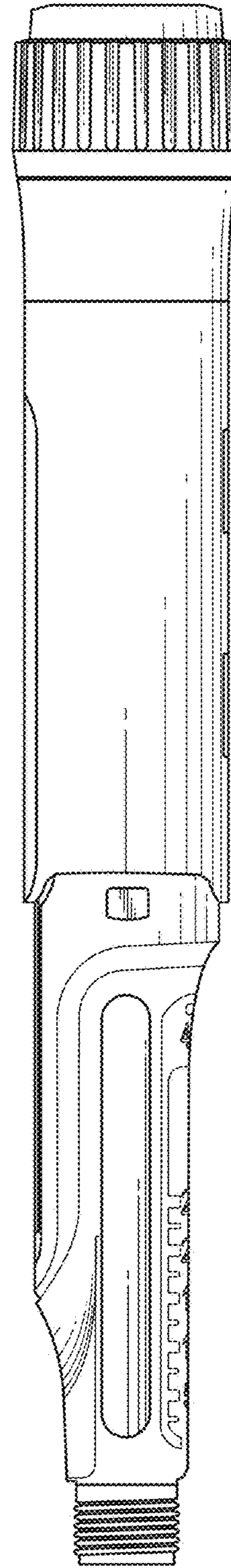


FIG. 5

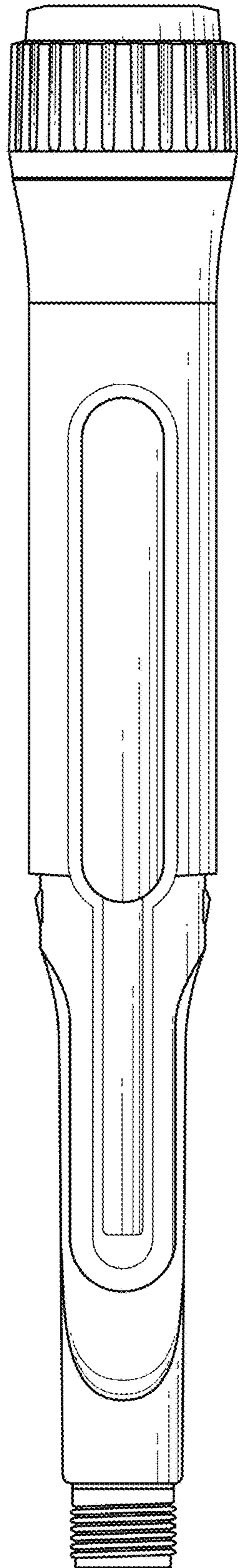


FIG. 6

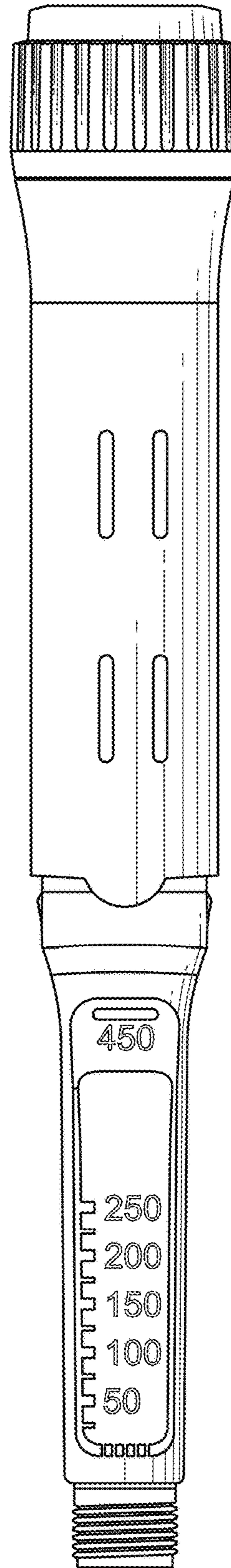


FIG. 7