



US00D782033S

(12) **United States Design Patent**
Ratjen et al.

(10) **Patent No.:** **US D782,033 S**

(45) **Date of Patent:** **** Mar. 21, 2017**

(54) **MEDICAMENT INJECTION DEVICE**

DESCRIPTION

(71) Applicants: **SANOFI**, Paris (FR); **REGENERON PHARMACEUTICALS, INC.**, Tarrytown, NY (US)

(72) Inventors: **Jochen Ratjen**, Nacka (SE); **Katja Wessel**, Stockholm (SE)

(73) Assignee: **SANOFI**, Paris (FR)

(**) Term: **14 Years**

(21) Appl. No.: **29/501,280**

(22) Filed: **Sep. 3, 2014**

Related U.S. Application Data

(63) Continuation-in-part of application No. 29/483,790, filed on Mar. 3, 2014, now Pat. No. Des. 739,932.

(51) **LOC (10) Cl.** **24-02**

(52) **U.S. Cl.**
USPC **D24/112**

(58) **Field of Classification Search**
USPC D24/112–114, 133, 186, 104, 130, 127;
606/181, 185; 604/264, 272, 115, 232,
(Continued)

(56) **References Cited**

U.S. PATENT DOCUMENTS

4,636,202 A 1/1987 Lowin et al.
5,045,066 A 9/1991 Scheuble et al.
(Continued)

FOREIGN PATENT DOCUMENTS

WO 2013/135566 9/2013

Primary Examiner — David Muller

Assistant Examiner — Nathan Johnston

(74) *Attorney, Agent, or Firm* — McDonnell Boehnen Hulbert & Berghoff LLP

(57) **CLAIM**

The ornamental design for a medicament injection device, as shown and described.

The file of this patent contains at least one drawing executed in color. Copies of this patent with color drawings will be provided by the Office upon request and payment of the necessary fee.

FIG. 1 is a top plan view of the injection device with a cap portion attached to a distal portion of a main housing and having a label on a proximal portion of the main housing; FIG. 2 is a right side elevation view thereof;

FIG. 3 is a left side elevation view thereof;

FIG. 4 is a rear elevation view thereof;

FIG. 5 is a front elevation view thereof;

FIG. 6 is a bottom plan view thereof;

FIG. 7 is a perspective view from the front and right thereof;

FIG. 8 is a top plan view of the injection device with a cap portion attached to a distal portion of a main housing and having a label on a proximal portion of the main housing;

FIG. 9 is a right side elevation view thereof;

FIG. 10 is a left side elevation view thereof;

FIG. 11 is a rear elevation view thereof;

FIG. 12 is a front elevation view thereof;

FIG. 13 is a bottom plan view thereof;

FIG. 14 is a perspective view from the front and right thereof;

FIG. 15 is a top plan view of the injection device with a cap portion attached to a distal portion of a main housing and having a label on a proximal portion of the main housing;

FIG. 16 is a right side elevation view thereof;

FIG. 17 is a left side elevation view thereof;

FIG. 18 is a rear elevation view thereof;

FIG. 19 is a front elevation view thereof;

FIG. 20 is a bottom plan view thereof;

FIG. 21 is a perspective view from the front and right thereof;

FIG. 22 is a top plan view of the injection device with a cap portion attached to a distal portion of a main housing and having a label on a proximal portion of the main housing;

FIG. 23 is a right side elevation view thereof;

FIG. 24 is a left side elevation view thereof;

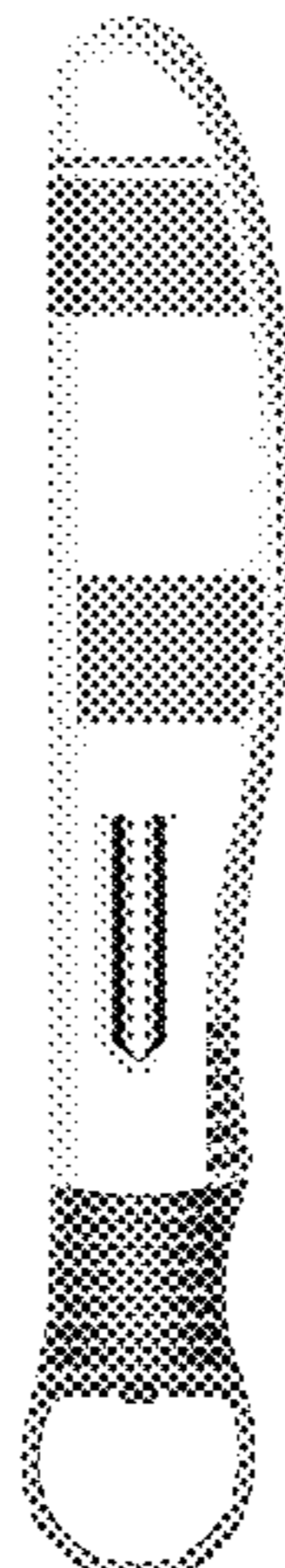
FIG. 25 is a rear elevation view thereof;

FIG. 26 is a front elevation view thereof;

FIG. 27 is a bottom plan view thereof; and,

FIG. 28 is a perspective view from the front and right thereof.

1 Claim, 28 Drawing Sheets
(14 of 28 Drawing Sheet(s) Filed in Color)



US D782,033 S

Page 2

(58) **Field of Classification Search**

USPC .. 604/187, 158, 164.08, 192, 263, 163, 181,
604/184, 198, 227
CPC A61M 5/2033; A61M 5/3204; A61M
2005/208; A61M 2005/206; A61M
2005/2418

See application file for complete search history.

(56)

References Cited

U.S. PATENT DOCUMENTS

5,501,670 A 3/1996 Sak
5,921,966 A * 7/1999 Bendek A61M 5/24
604/207
D449,104 S 10/2001 Baker et al.
RE37,439 E 11/2001 Firth et al.
6,585,685 B2 7/2003 Staylor et al.
D484,244 S 12/2003 Starnes
D551,295 S * 9/2007 Chen D19/121

D621,045 S * 8/2010 Trissel D24/147
D628,632 S * 12/2010 Liu D19/121
8,057,433 B2 11/2011 Cuca et al.
D652,516 S * 1/2012 Sherwood D24/133
D660,419 S * 5/2012 Morgan D24/130
D671,638 S 11/2012 Young et al.
D677,380 S 3/2013 Julian et al.
D677,785 S 3/2013 Stones et al.
D694,879 S 12/2013 Julian et al.
8,652,159 B2 * 2/2014 Trissel A61B 5/1411
606/181
D726,902 S * 4/2015 McLoughlin D24/113
D735,848 S * 8/2015 Dubuc D24/113
D739,932 S * 9/2015 Ratjen D24/113
D748,253 S * 1/2016 Ratjen D24/130
D753,291 S * 4/2016 Ratjen D24/112
2014/0330203 A1 11/2014 McLoughlin et al.
2015/0182691 A1 * 7/2015 McLoughlin A61M 5/002
604/155

* cited by examiner

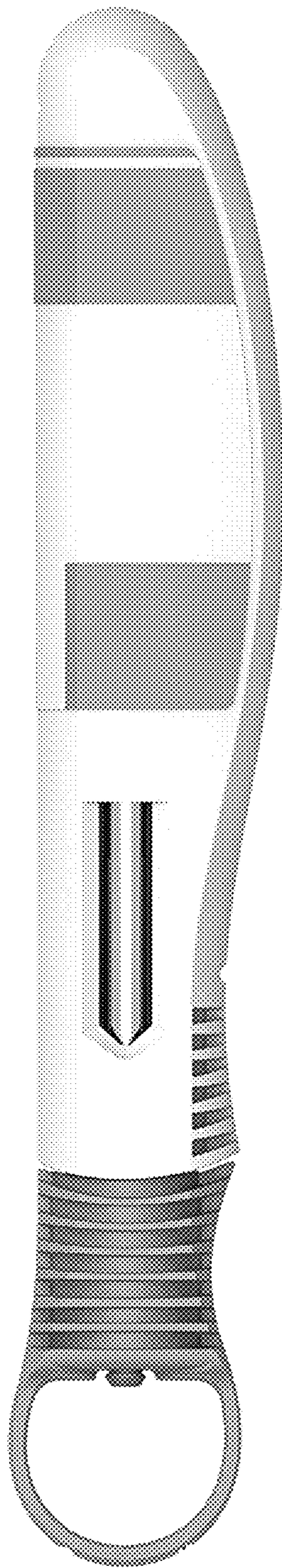


FIG. 1

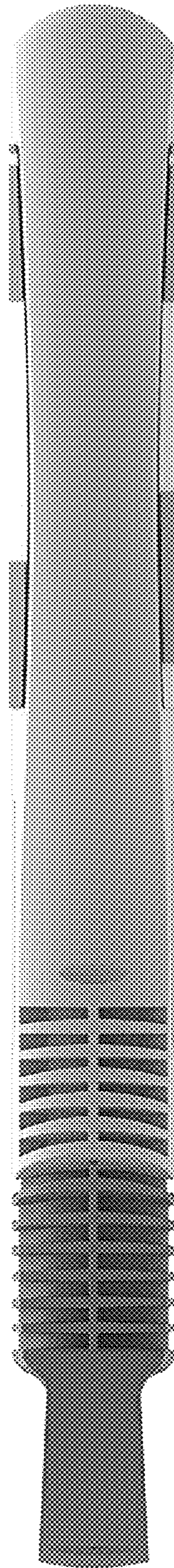


FIG. 2

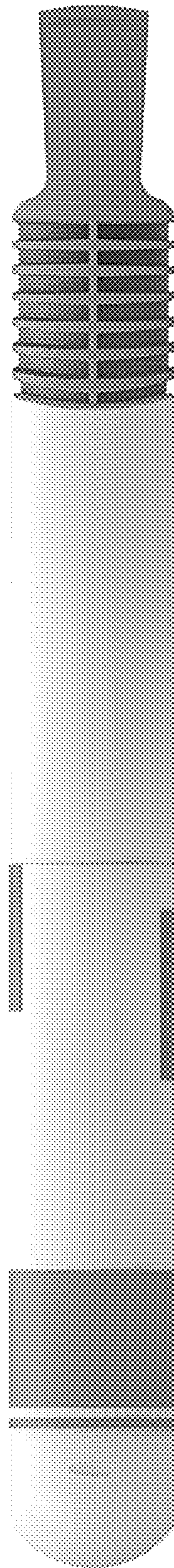


FIG. 3

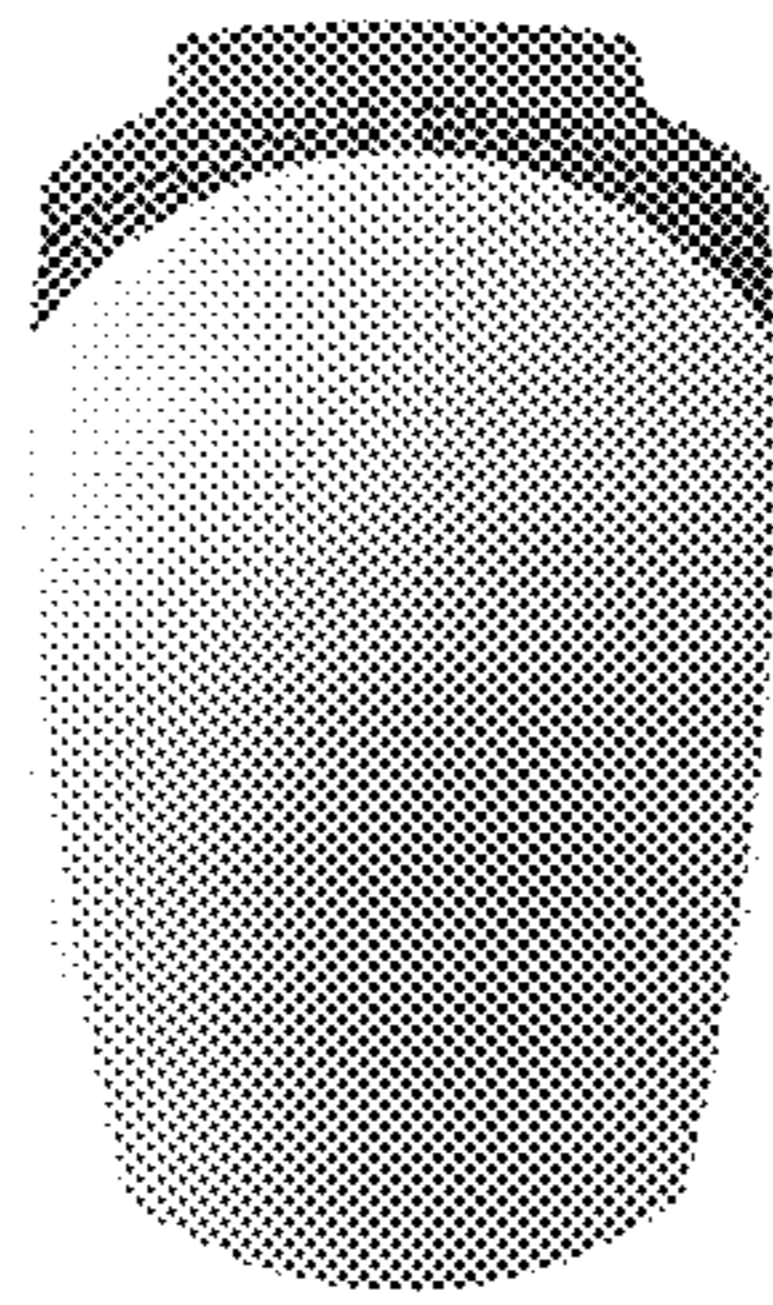


FIG. 4

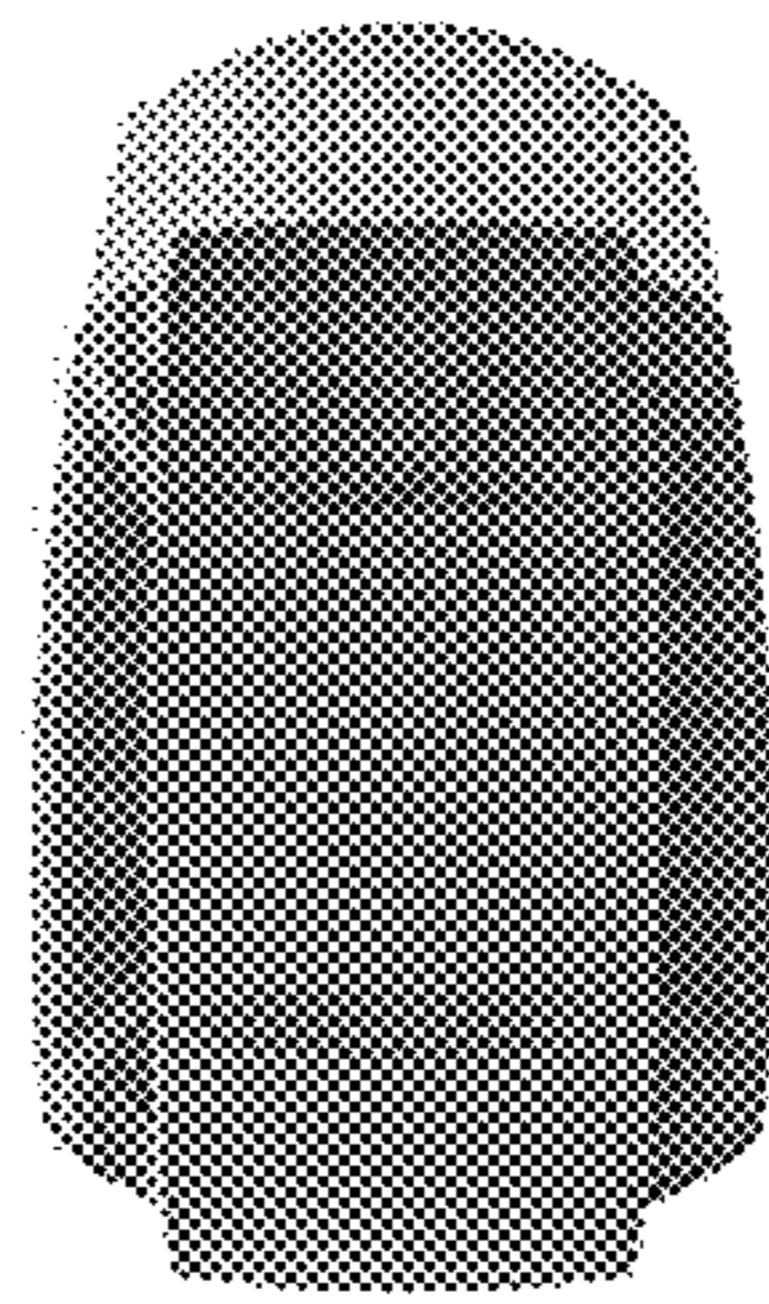


FIG. 5

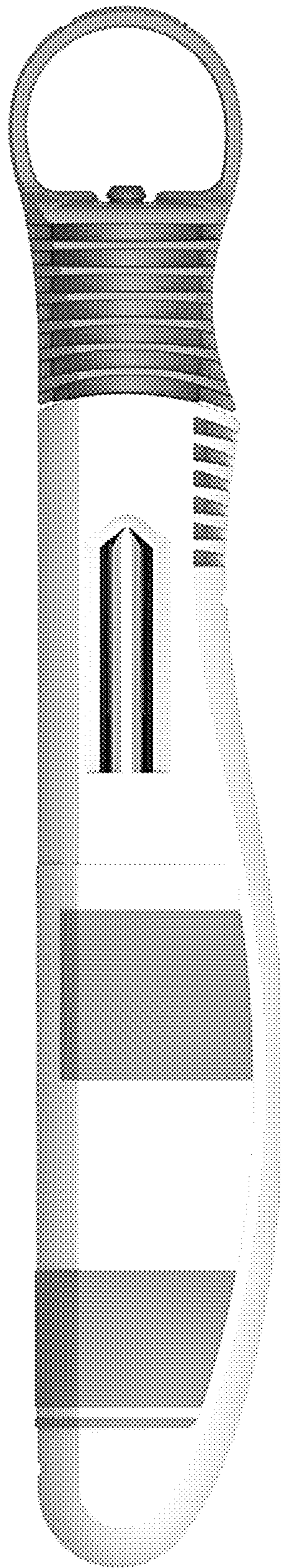


FIG. 6

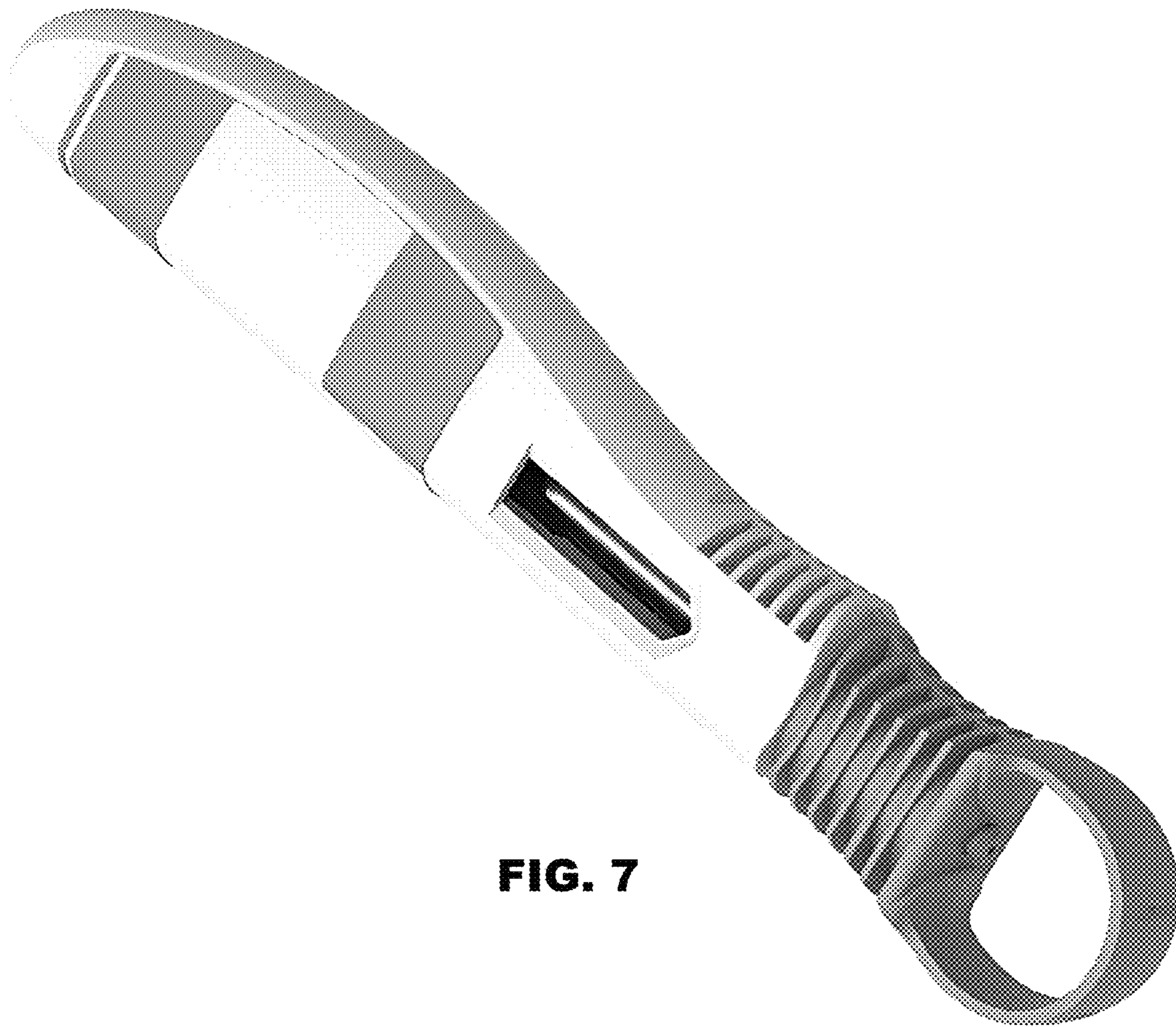


FIG. 7

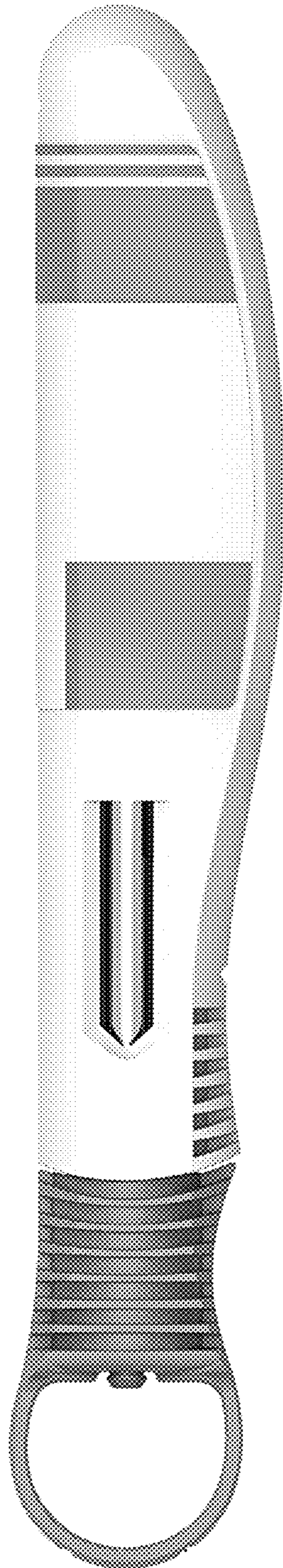


FIG. 8

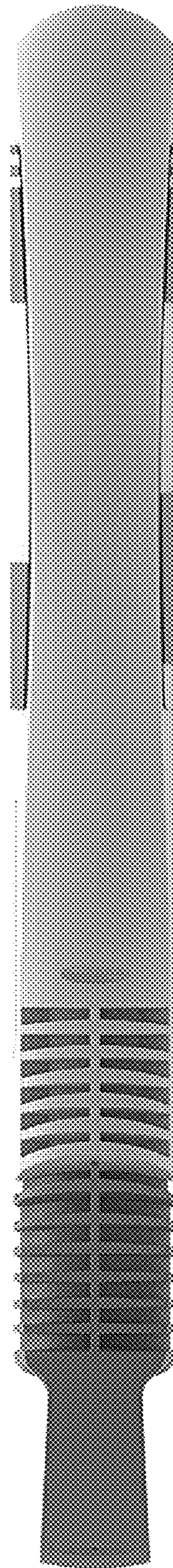


FIG. 9

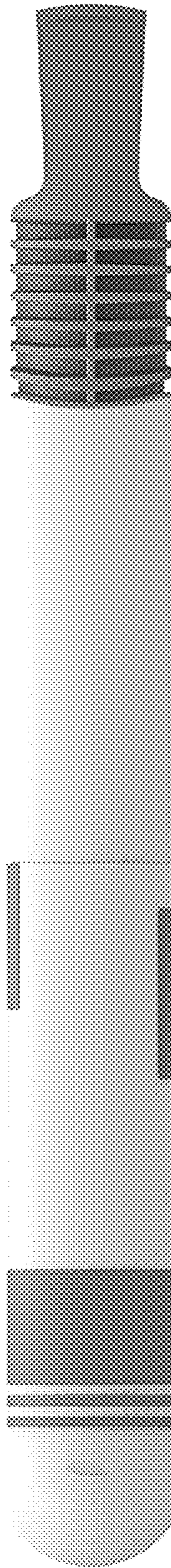


FIG. 10

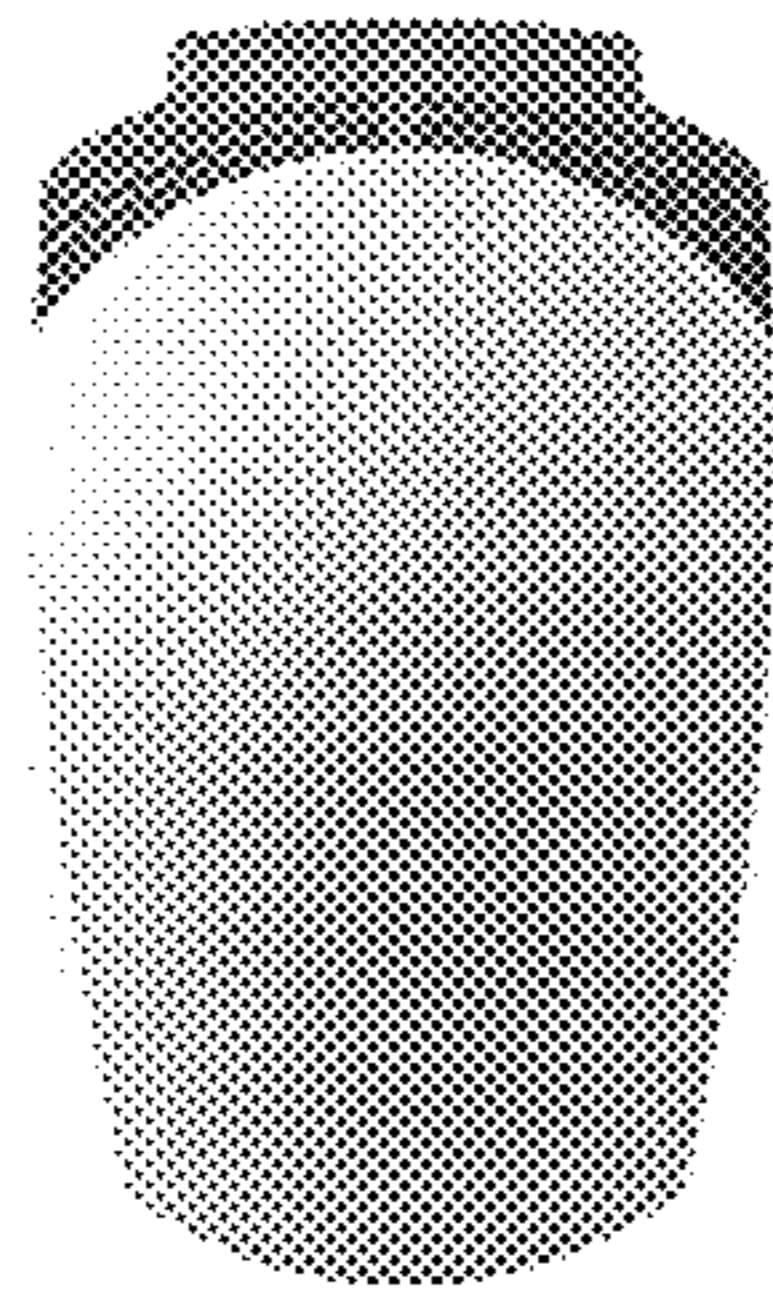


FIG. 11

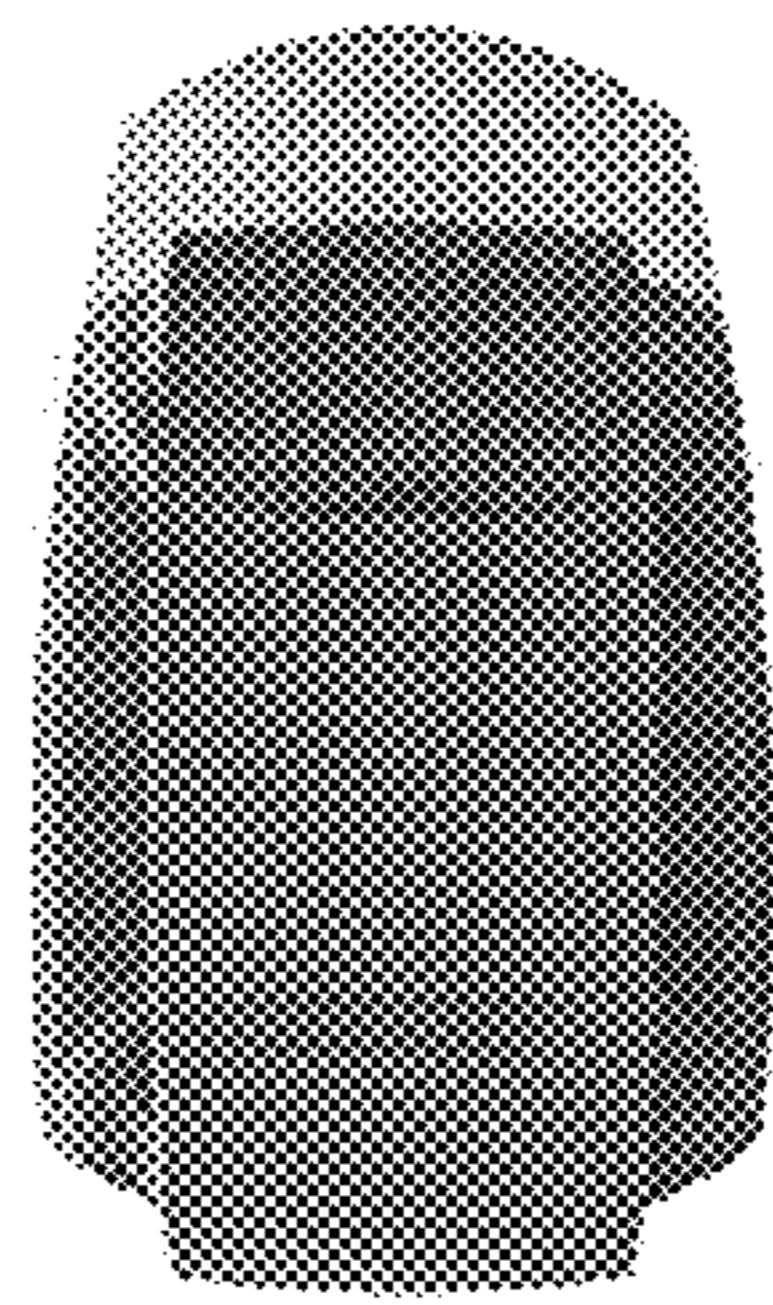


FIG. 12

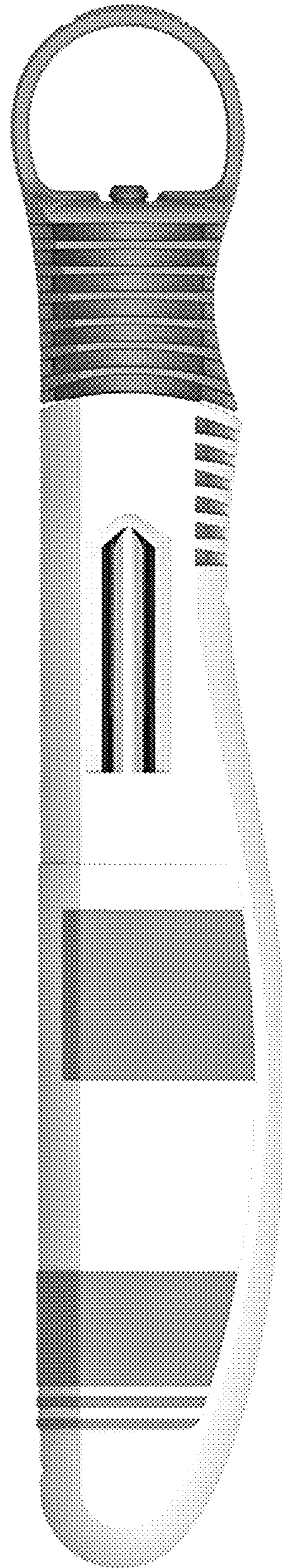


FIG. 13

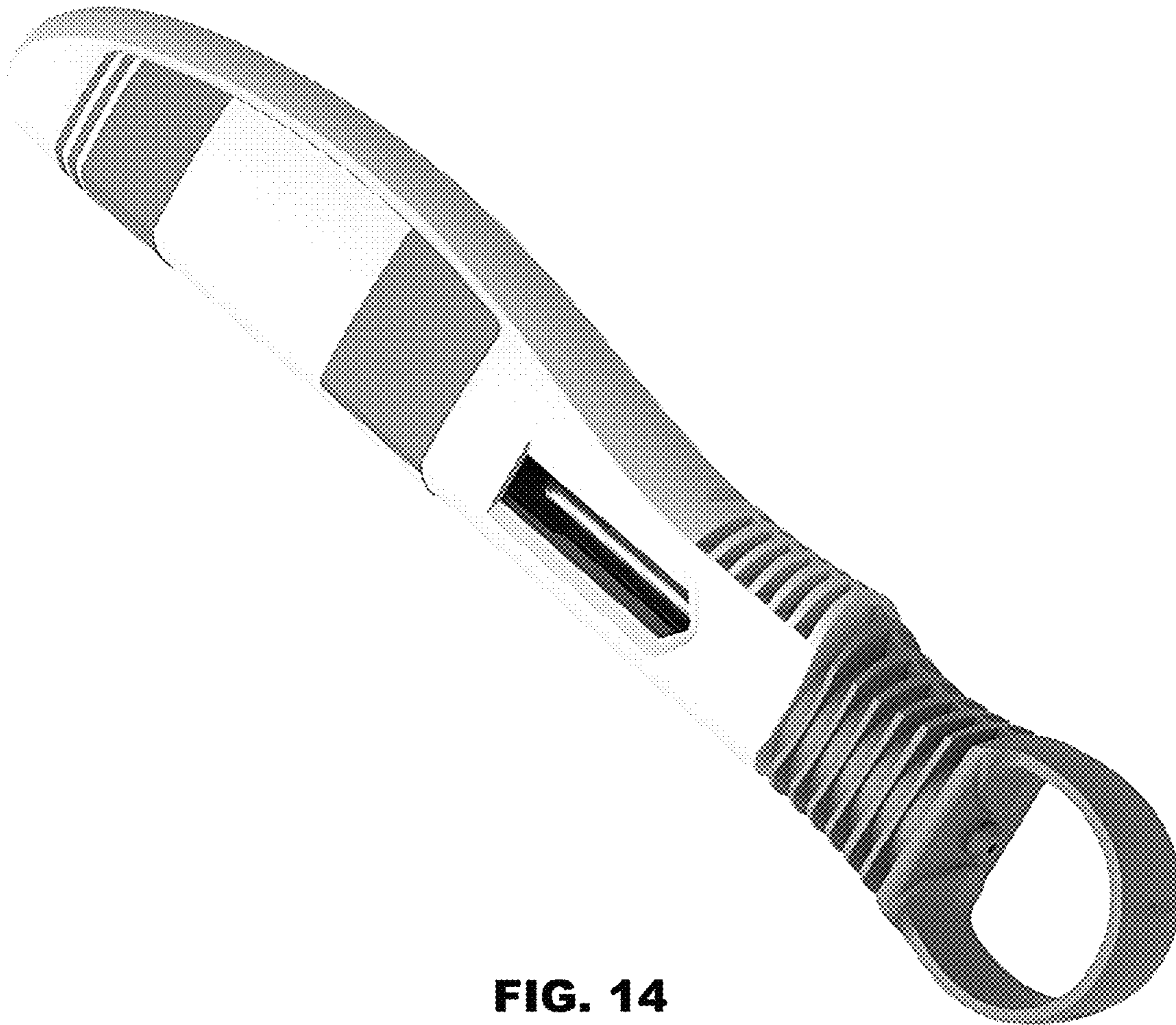


FIG. 14

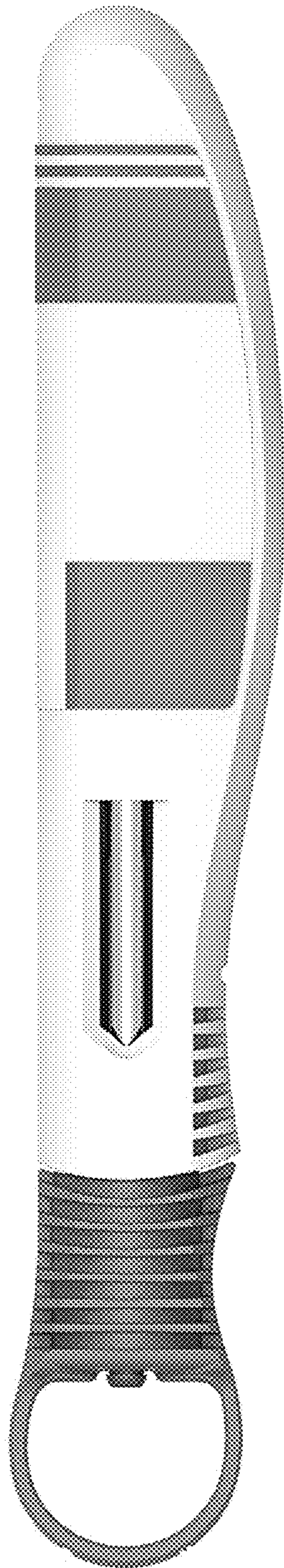


FIG. 15

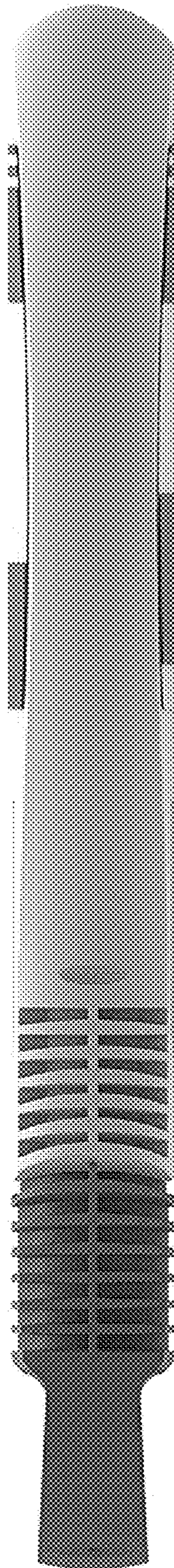


FIG. 16

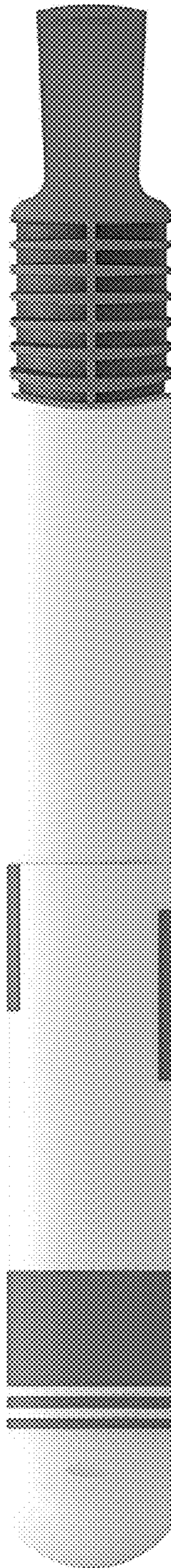


FIG. 17

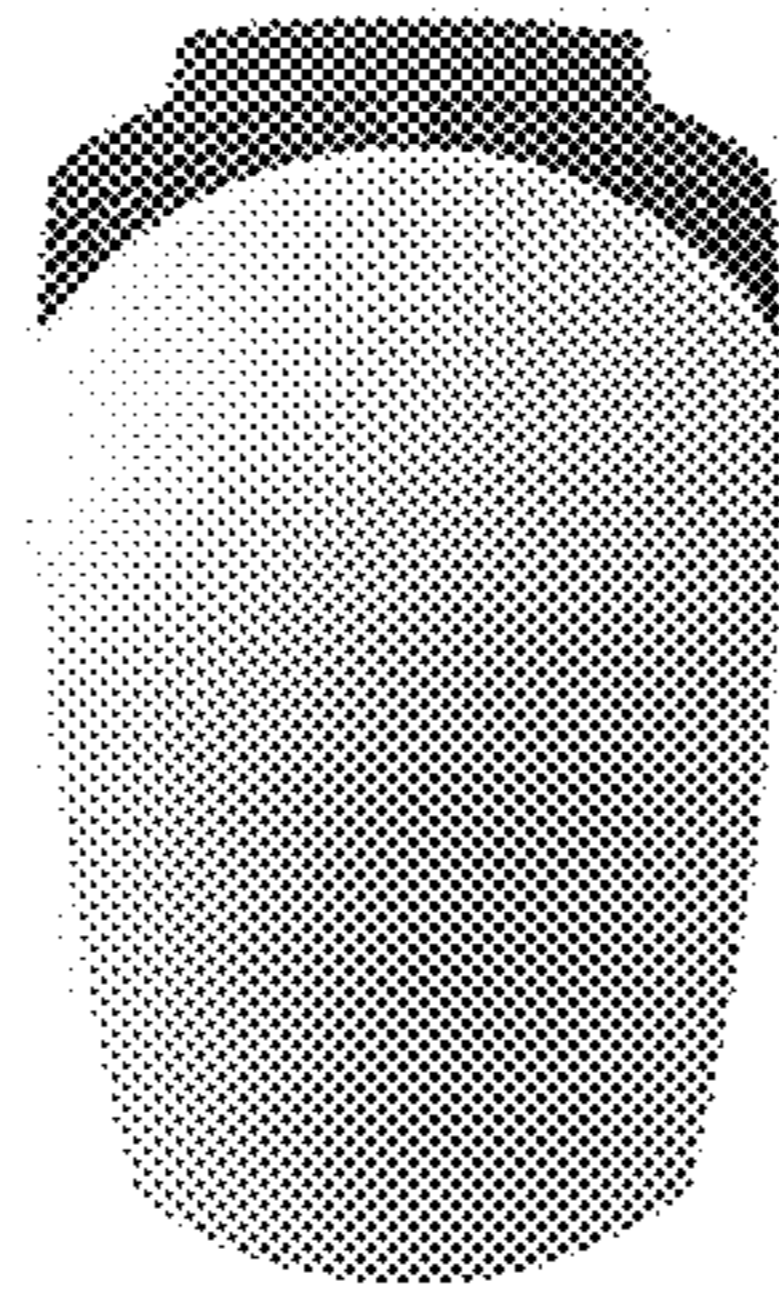


FIG. 18

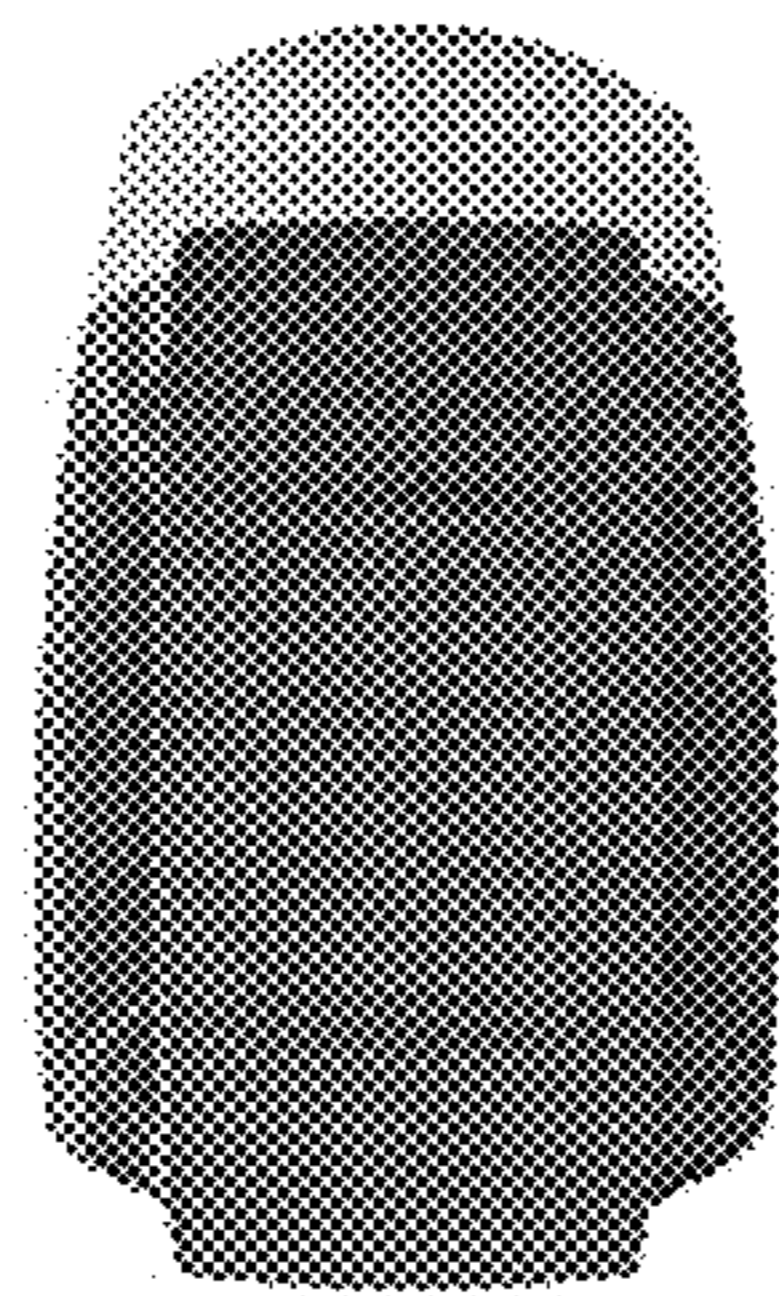


FIG. 19

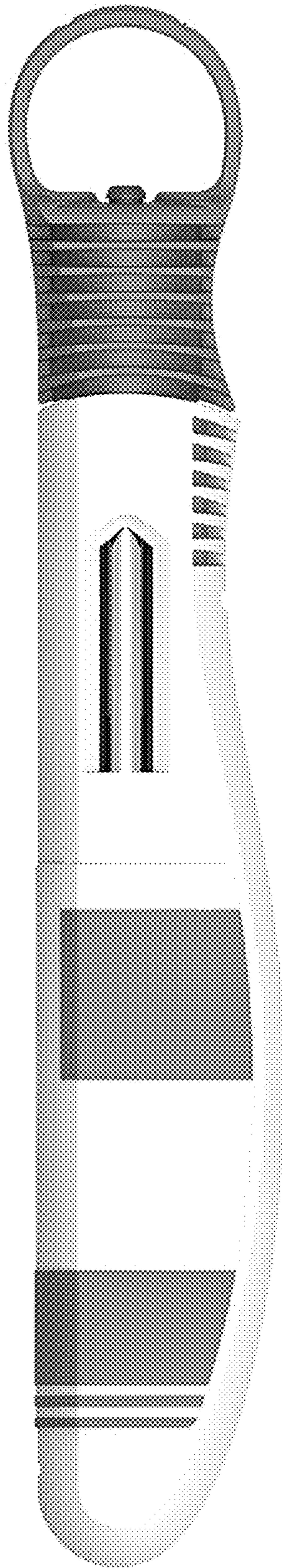


FIG. 20

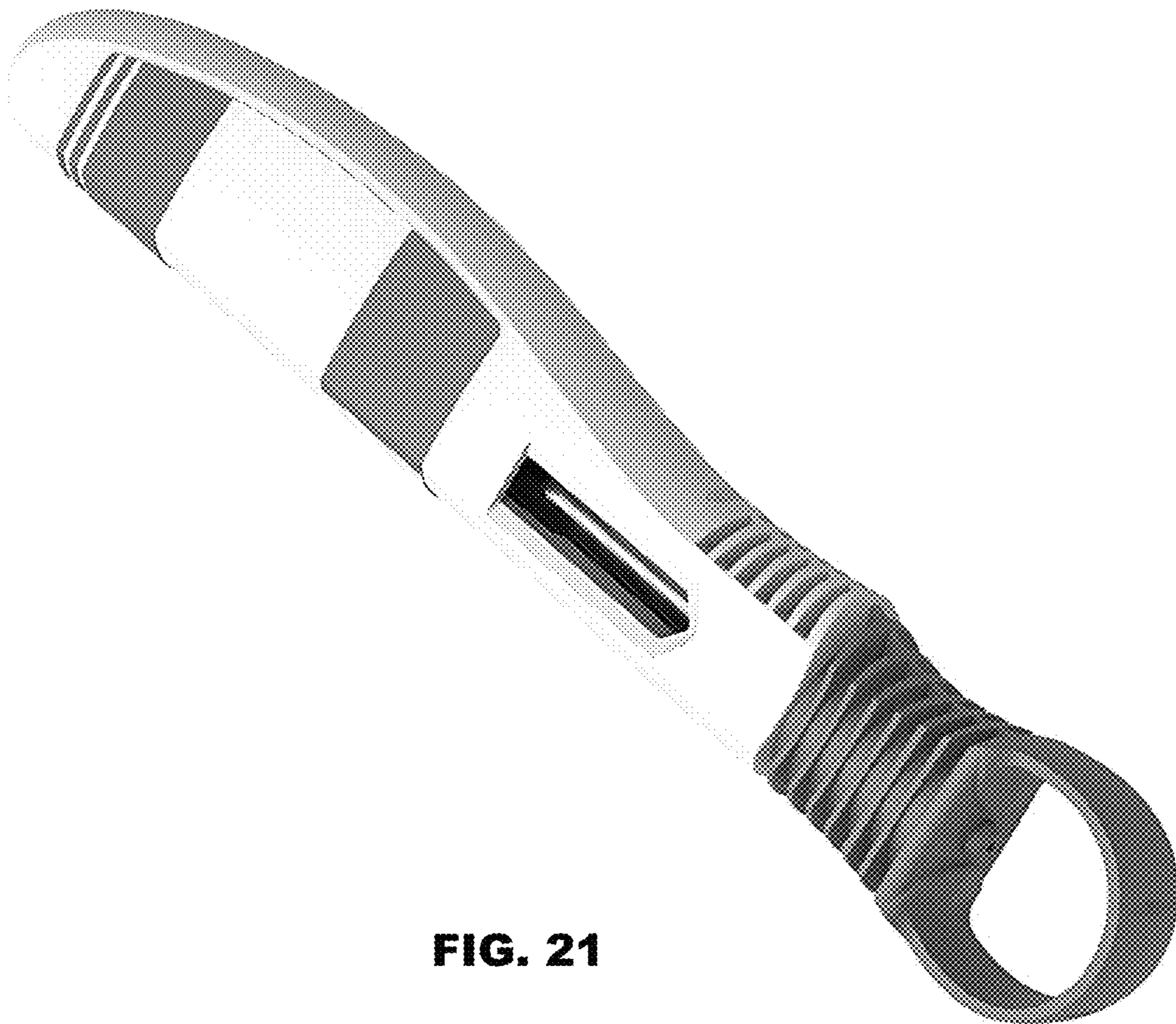


FIG. 21

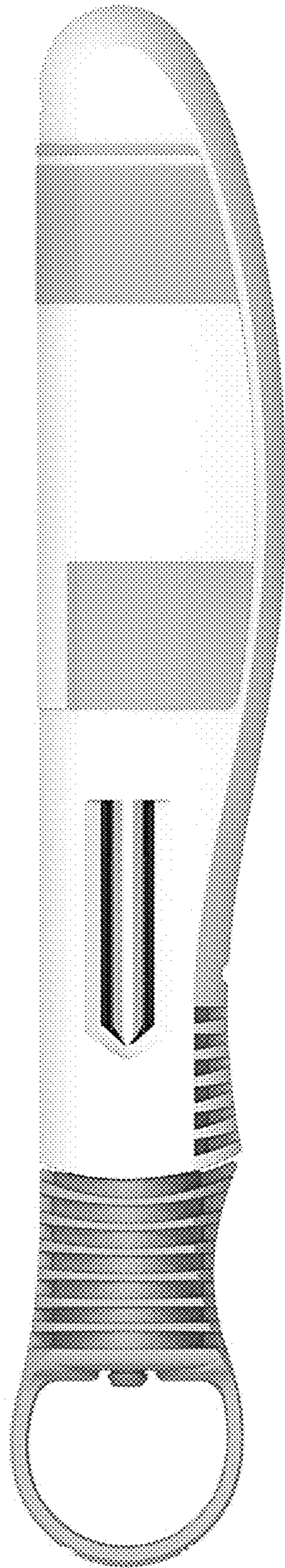


FIG. 22

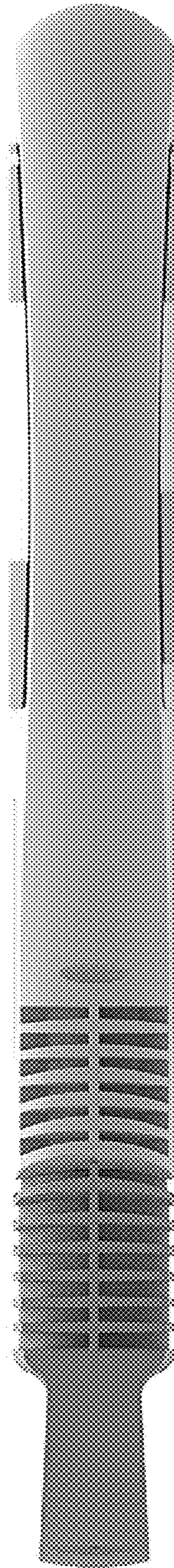


FIG. 23

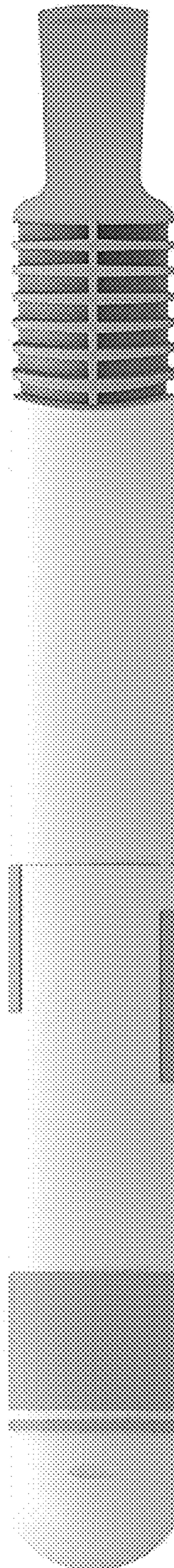


FIG. 24

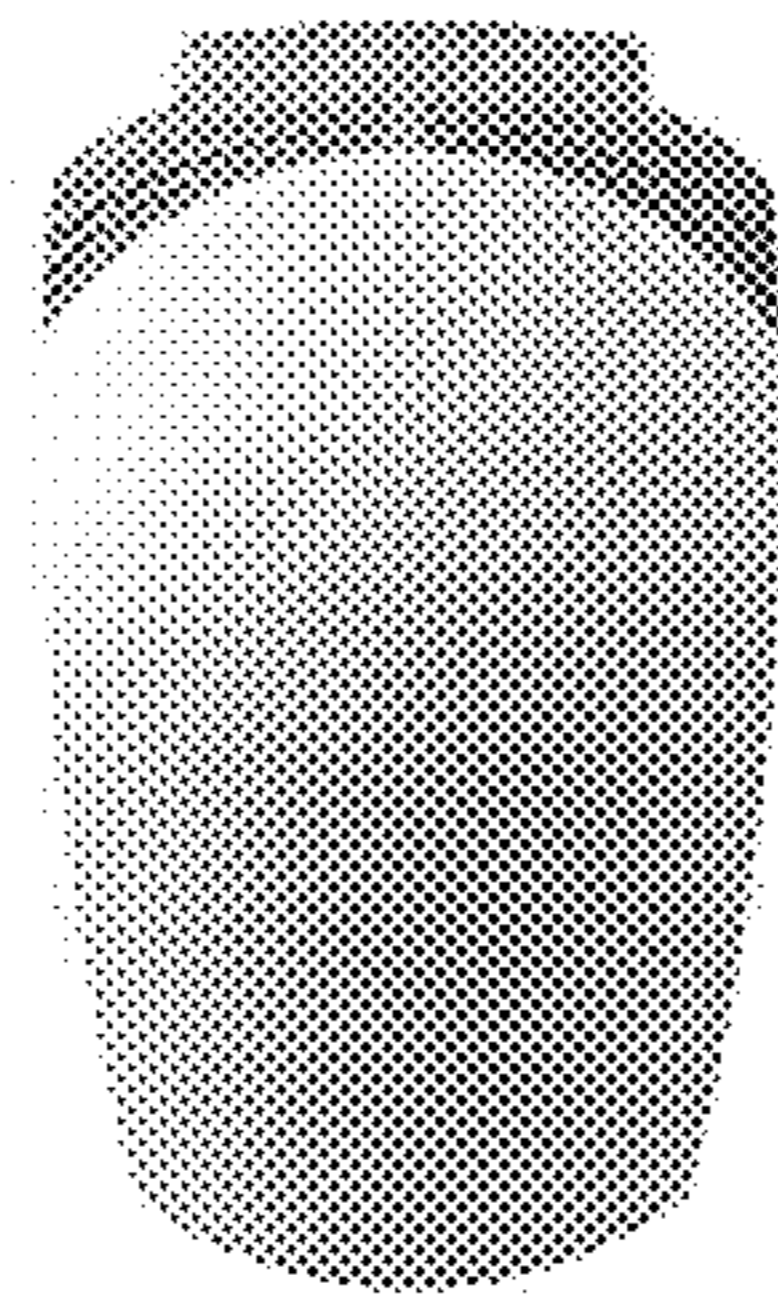


FIG. 25

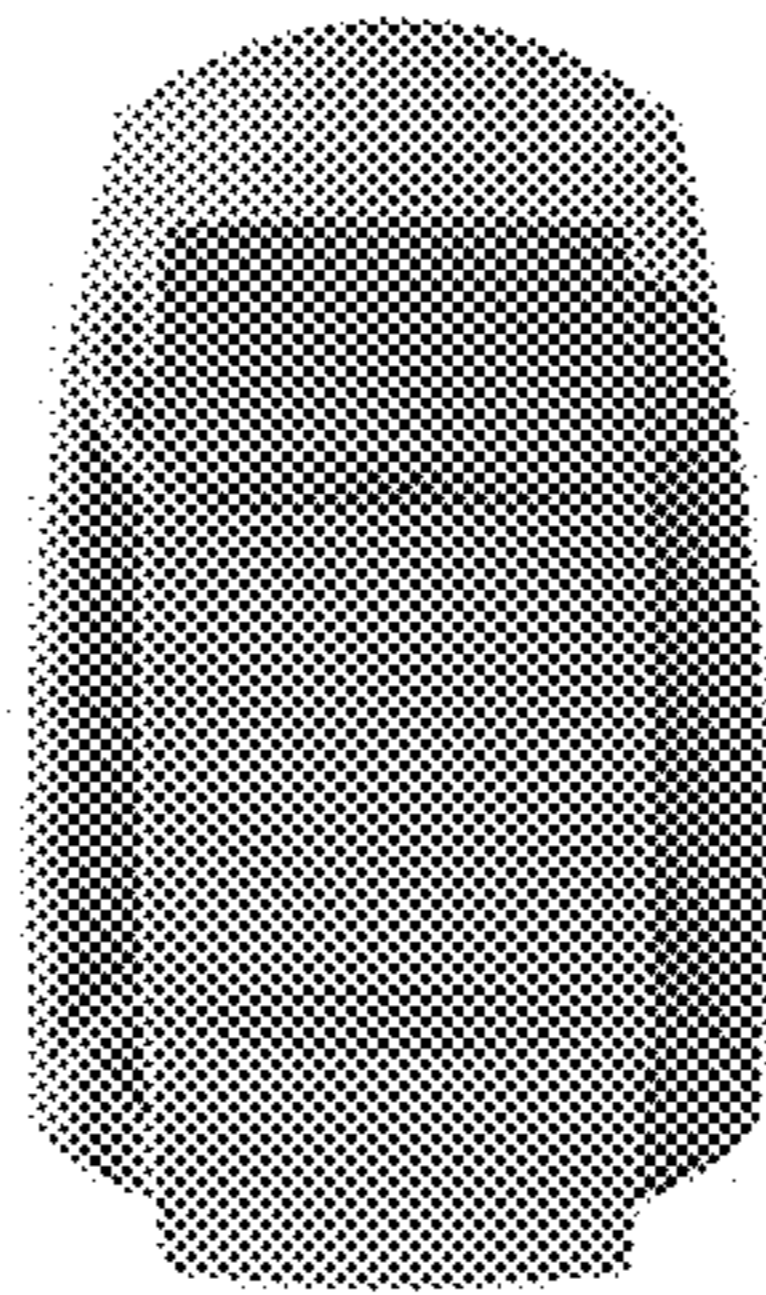


FIG. 26

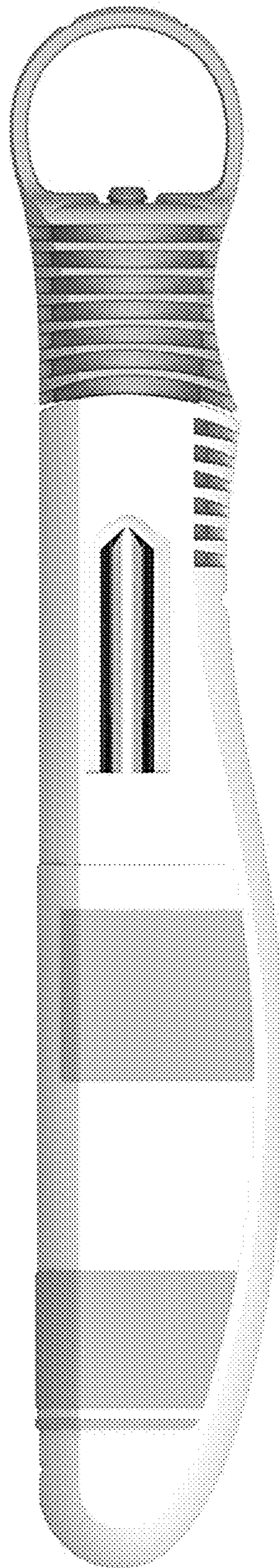


FIG. 27

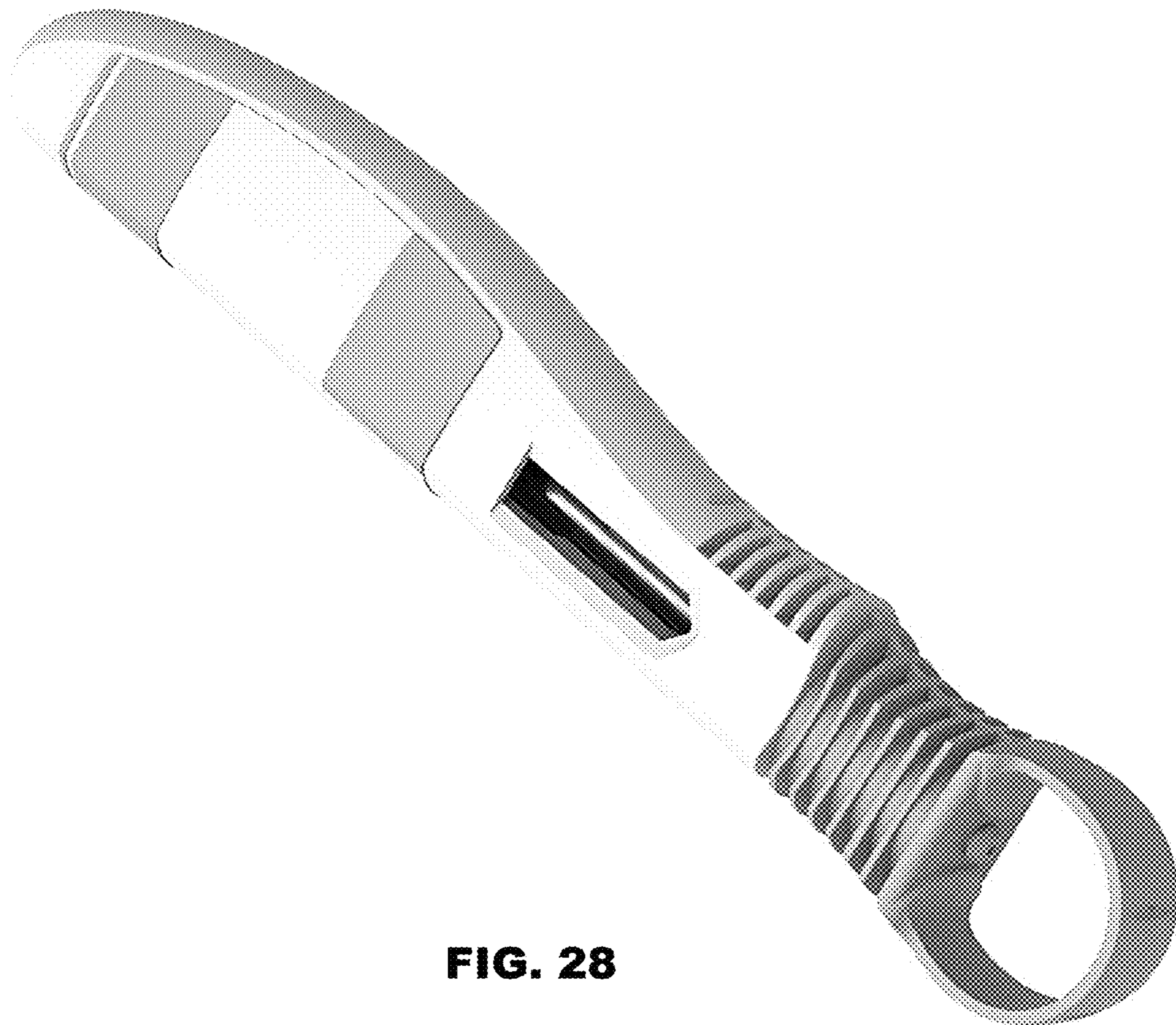


FIG. 28