



US00D782032S

(12) **United States Design Patent** (10) **Patent No.:** **US D782,032 S**
Eves et al. (45) **Date of Patent:** **** Mar. 21, 2017**

(54) **CUSHION FOR PATIENT INTERFACE**
(71) Applicant: **ResMed Limited**, Bella Vista, New South Wales (AU)
(72) Inventors: **Matthew Eves**, Sydney (AU); **Memduh Guney**, Sydney (AU)
(73) Assignee: **ResMed Limited**, Bella Vista (AU)
(**) Term: **15 Years**

D709,181 S 7/2014 Henry et al.
D717,942 S 11/2014 Neff et al.
D717,945 S * 11/2014 Neff D24/110.1
9,095,673 B2 8/2015 Barlow et al.
D753,814 S * 4/2016 Eves D24/110.4
D757,252 S * 5/2016 Von Moger D24/110.5
D758,564 S * 6/2016 Eves D24/110.4
D764,049 S * 8/2016 Cullen D24/110.4
2005/0199241 A1 9/2005 Ging et al.
2006/0042629 A1 3/2006 Geist
2010/0313891 A1 12/2010 Veliss et al.

(Continued)

(21) Appl. No.: **29/555,524**
(22) Filed: **Feb. 23, 2016**

OTHER PUBLICATIONS

Von Moger et al., U.S. Appl. No. 29/452,151, filed Apr. 12, 2013.
Eves et al., U.S. Appl. No. 29/535,334, filed Aug. 5, 2015.

Related U.S. Application Data

(62) Division of application No. 29/452,151, filed on Apr. 12, 2013, now Pat. No. Des. 757,252.
(51) **LOC (10) Cl.** **29-02**
(52) **U.S. Cl.**
USPC **D24/110.4**
(58) **Field of Classification Search**
USPC D24/110-110.5, 127, 164
CPC A61M 16/0622; A61M 16/0616; A61M 16/0816; A61M 16/08; A61M 16/0633; A61M 16/06; A61M 16/0666; A61M 2210/0618; A61M 16/0683
See application file for complete search history.

Primary Examiner — Barbara Fox
Assistant Examiner — Lilyana Bekic
(74) *Attorney, Agent, or Firm* — Nixon & Vanderhye P.C.

(57) **CLAIM**

The ornamental design for a cushion for patient interface, as shown and described.

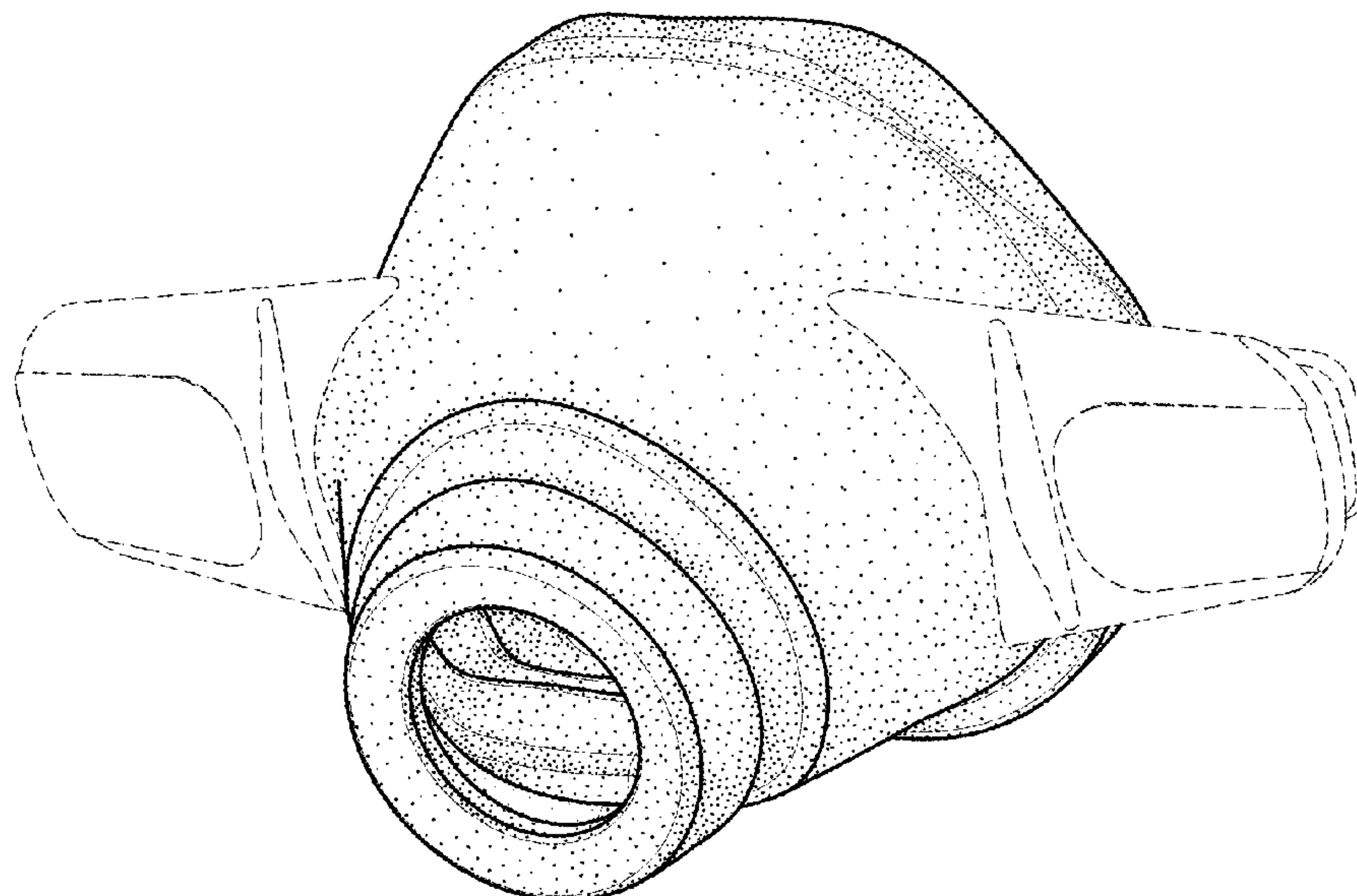
DESCRIPTION

FIG. 1 is a front perspective view of a cushion for patient interface according to our new design;
FIG. 2 is a front view thereof;
FIG. 3 is a rear view thereof;
FIG. 4 is a top view thereof;
FIG. 5 is a bottom view thereof;
FIG. 6 is a right side view thereof;
FIG. 7 is a left side view thereof; and
FIG. 8 is a rear perspective view thereof.
The broken lines in the drawings illustrate portions of the cushion for patient interface that form no part of the claimed design.

(56) **References Cited**
U.S. PATENT DOCUMENTS

D485,905 S 1/2004 Moore et al.
6,907,882 B2 6/2005 Ging et al.
D653,748 S 2/2012 Henry et al.
D656,231 S 3/2012 Henry et al.
D683,446 S 5/2013 Eves et al.
D692,554 S 10/2013 Siew et al.
D696,396 S 12/2013 Eves et al.

1 Claim, 8 Drawing Sheets



(56)

References Cited

U.S. PATENT DOCUMENTS

| | | | |
|--------------|----|--------|----------------|
| 2011/0146685 | A1 | 6/2011 | Allan et al. |
| 2012/0067349 | A1 | 3/2012 | Barlow et al. |
| 2012/0090622 | A1 | 4/2012 | Chang |
| 2013/0008449 | A1 | 1/2013 | Busch et al. |
| 2013/0042871 | A1 | 2/2013 | Chang |
| 2013/0152937 | A1 | 6/2013 | Jablonski |
| 2013/0152938 | A1 | 6/2013 | Jablonski |
| 2013/0199537 | A1 | 8/2013 | Formica et al. |
| 2013/0220327 | A1 | 8/2013 | Barlow et al. |
| 2014/0283843 | A1 | 9/2014 | Eves et al. |

* cited by examiner

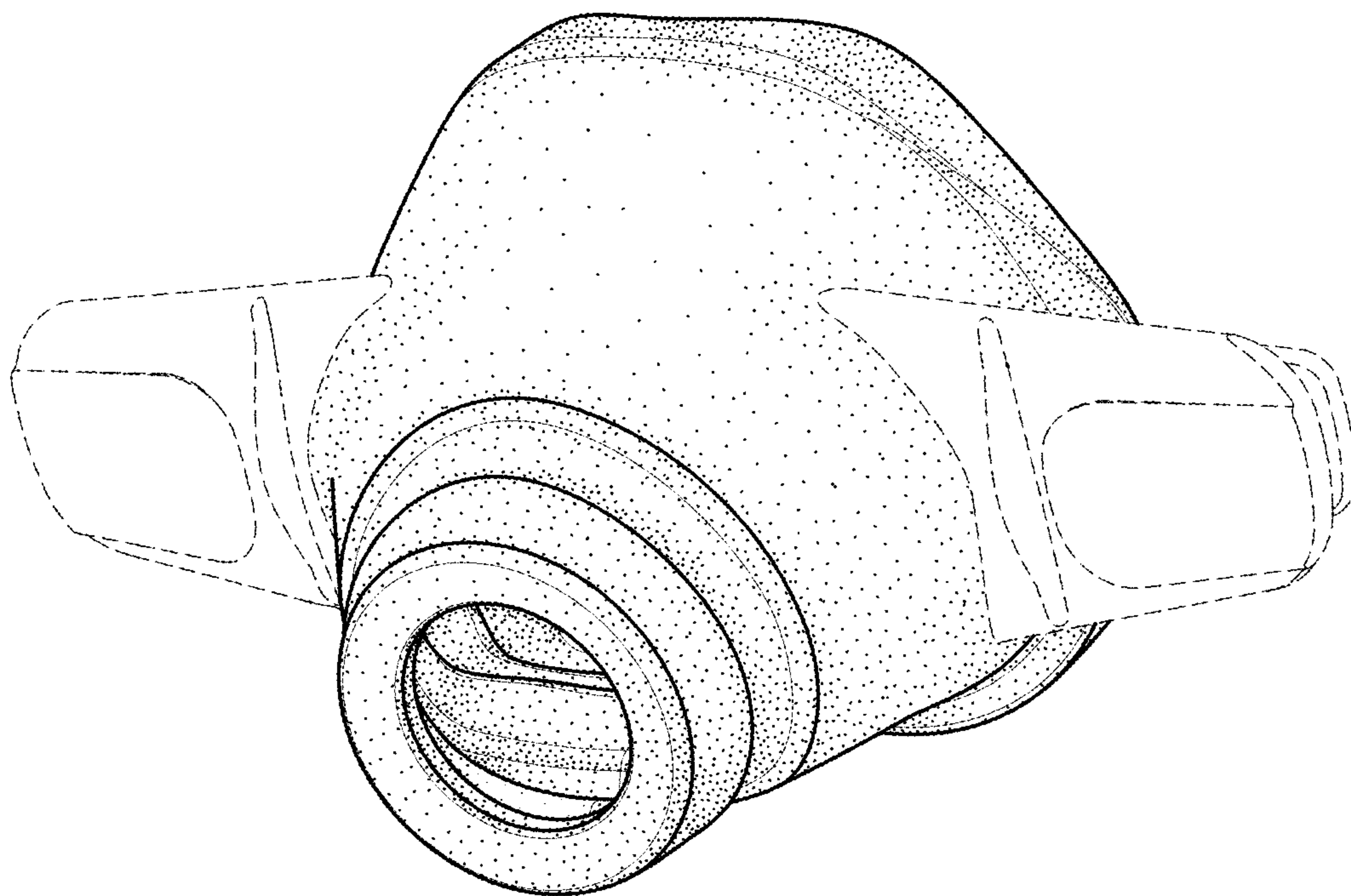


Fig. 1

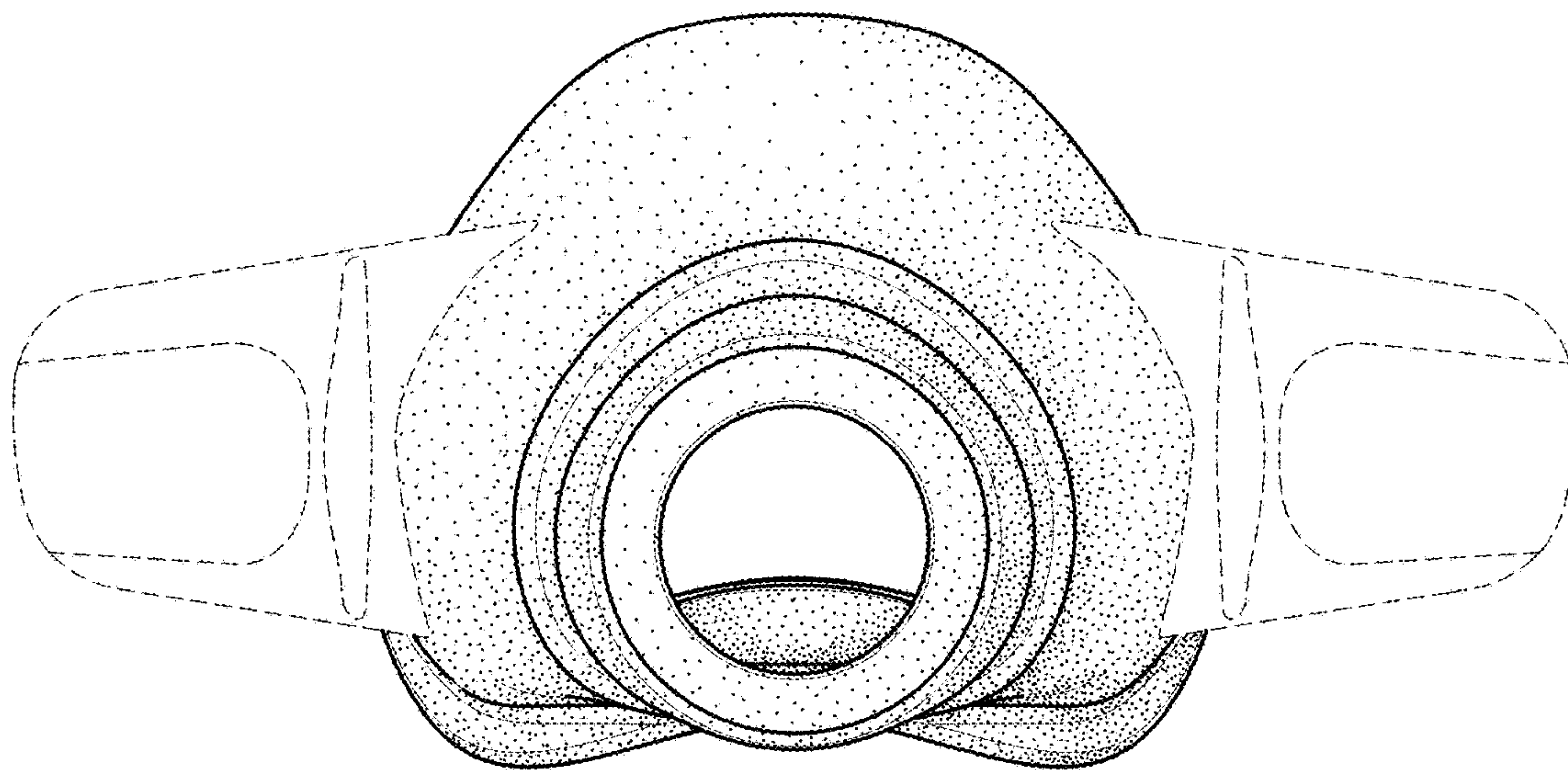


Fig. 2

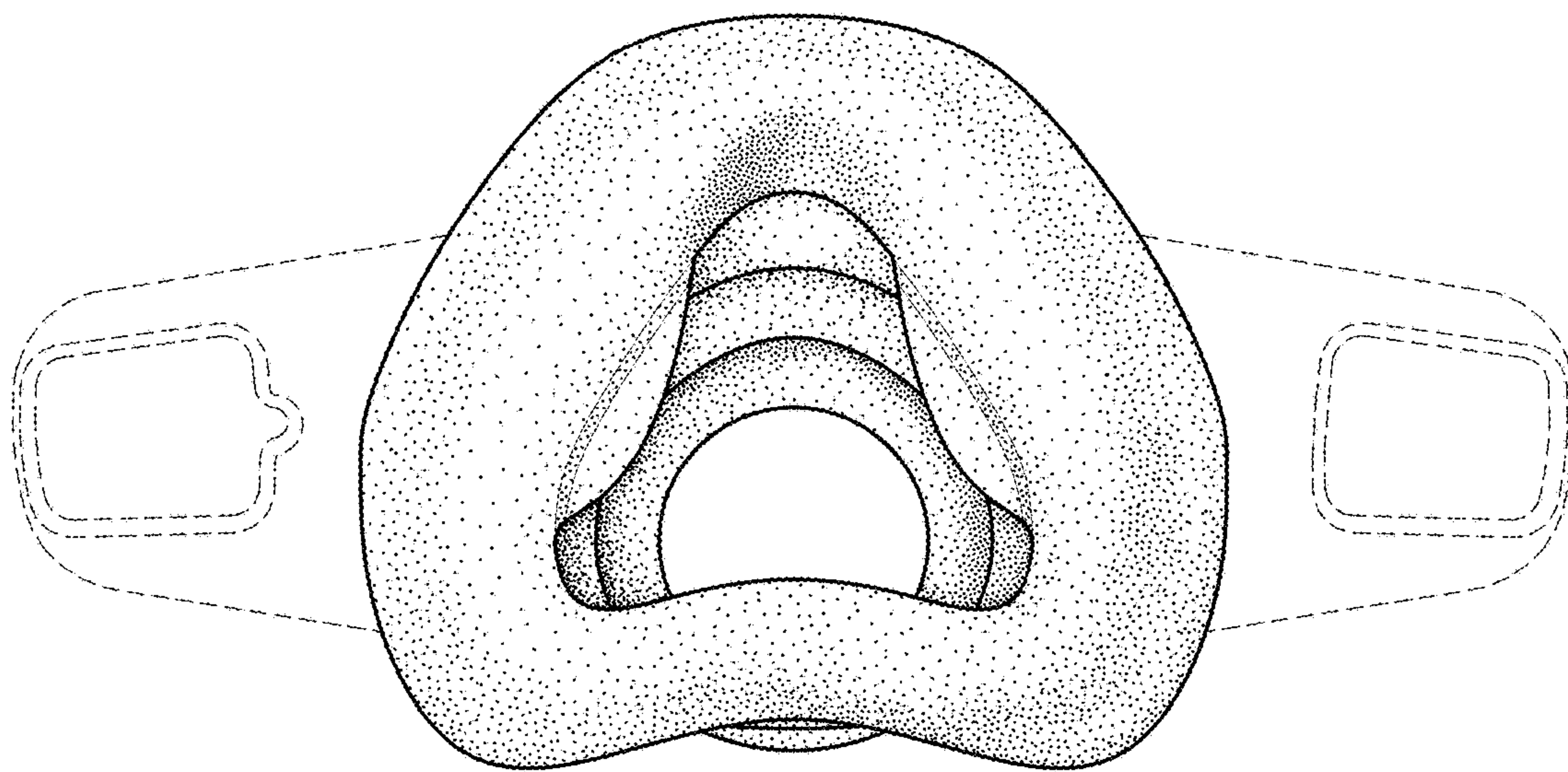


Fig. 3

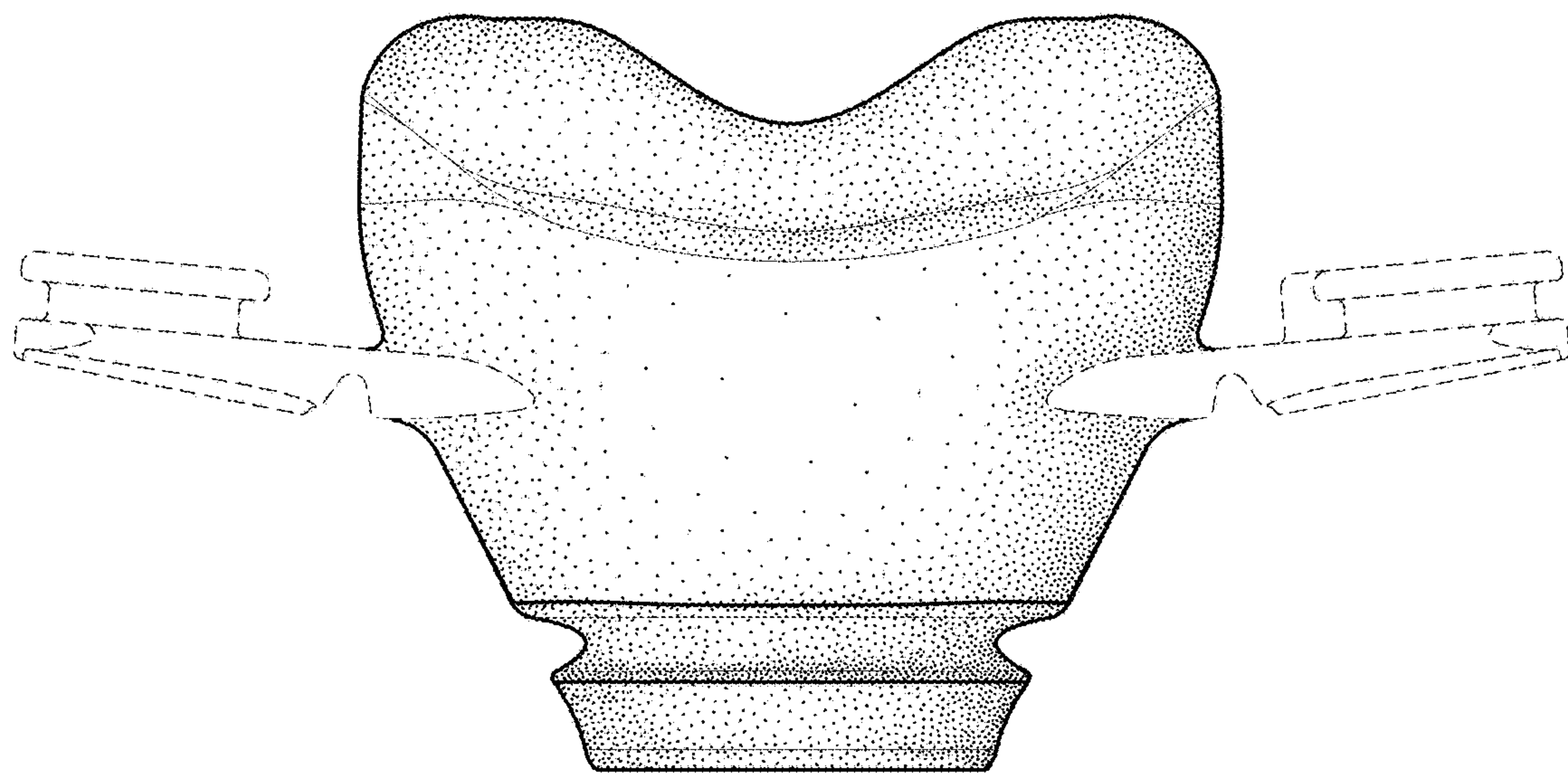


Fig. 4

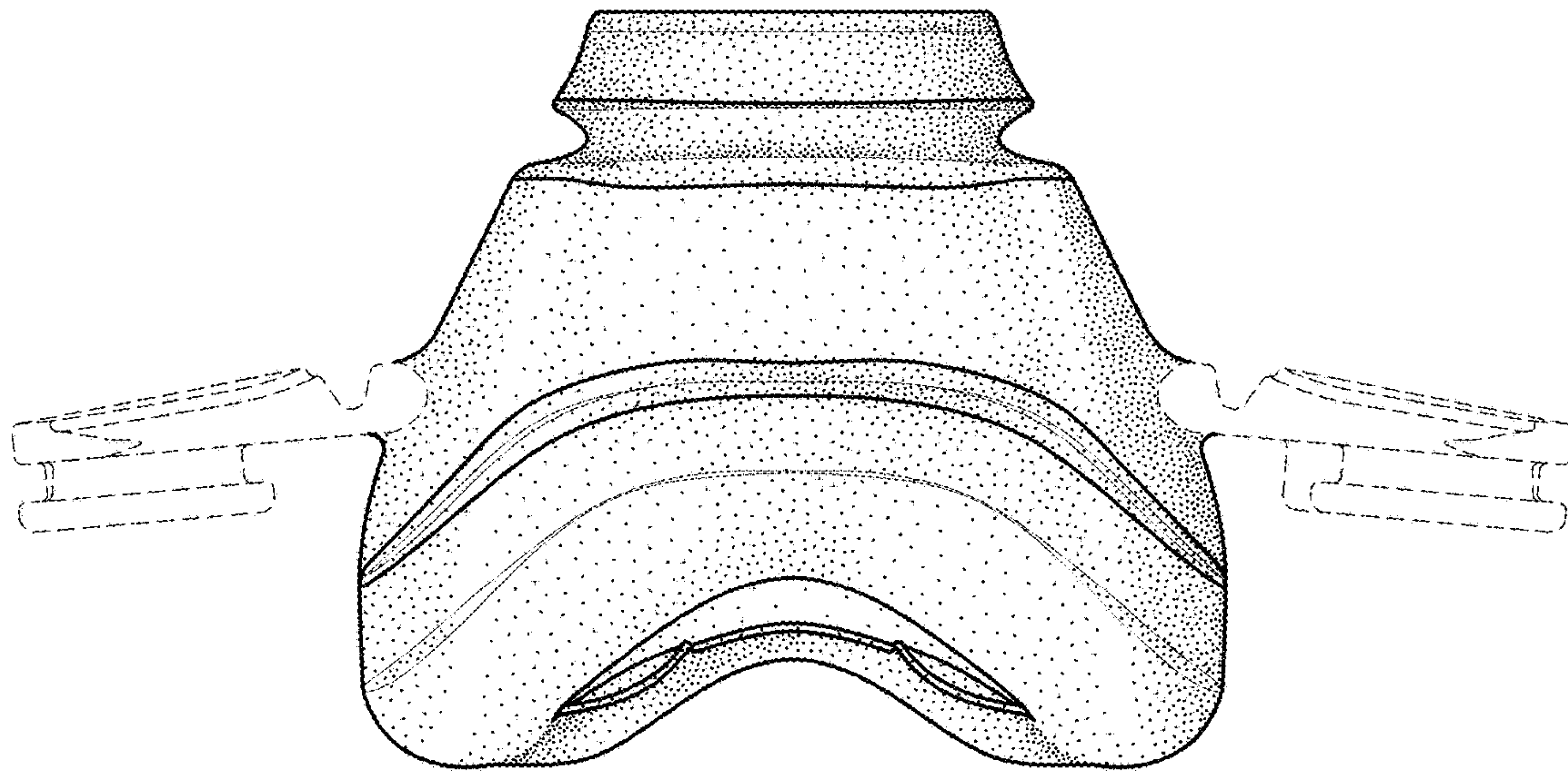


Fig. 5

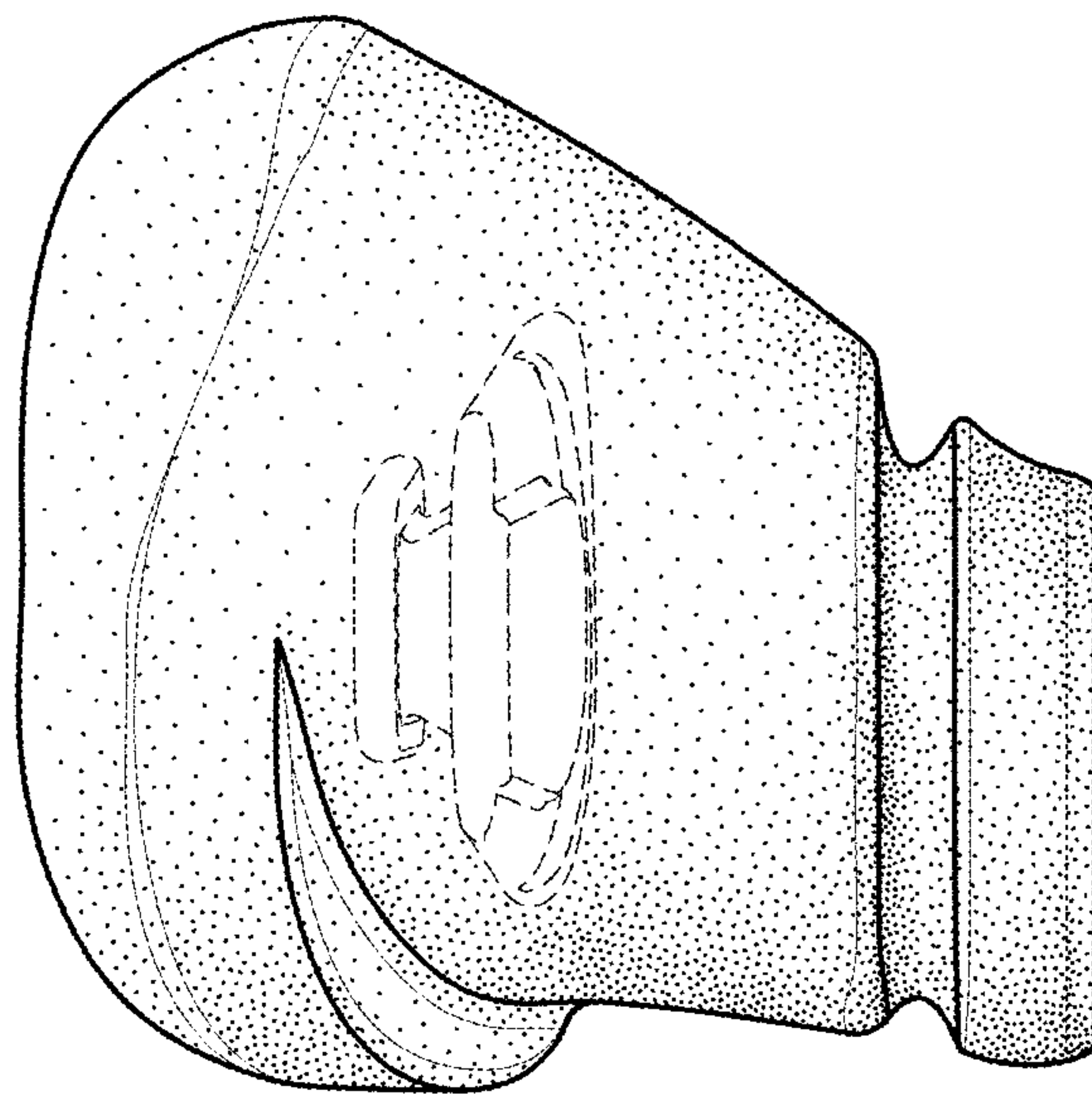


Fig. 6

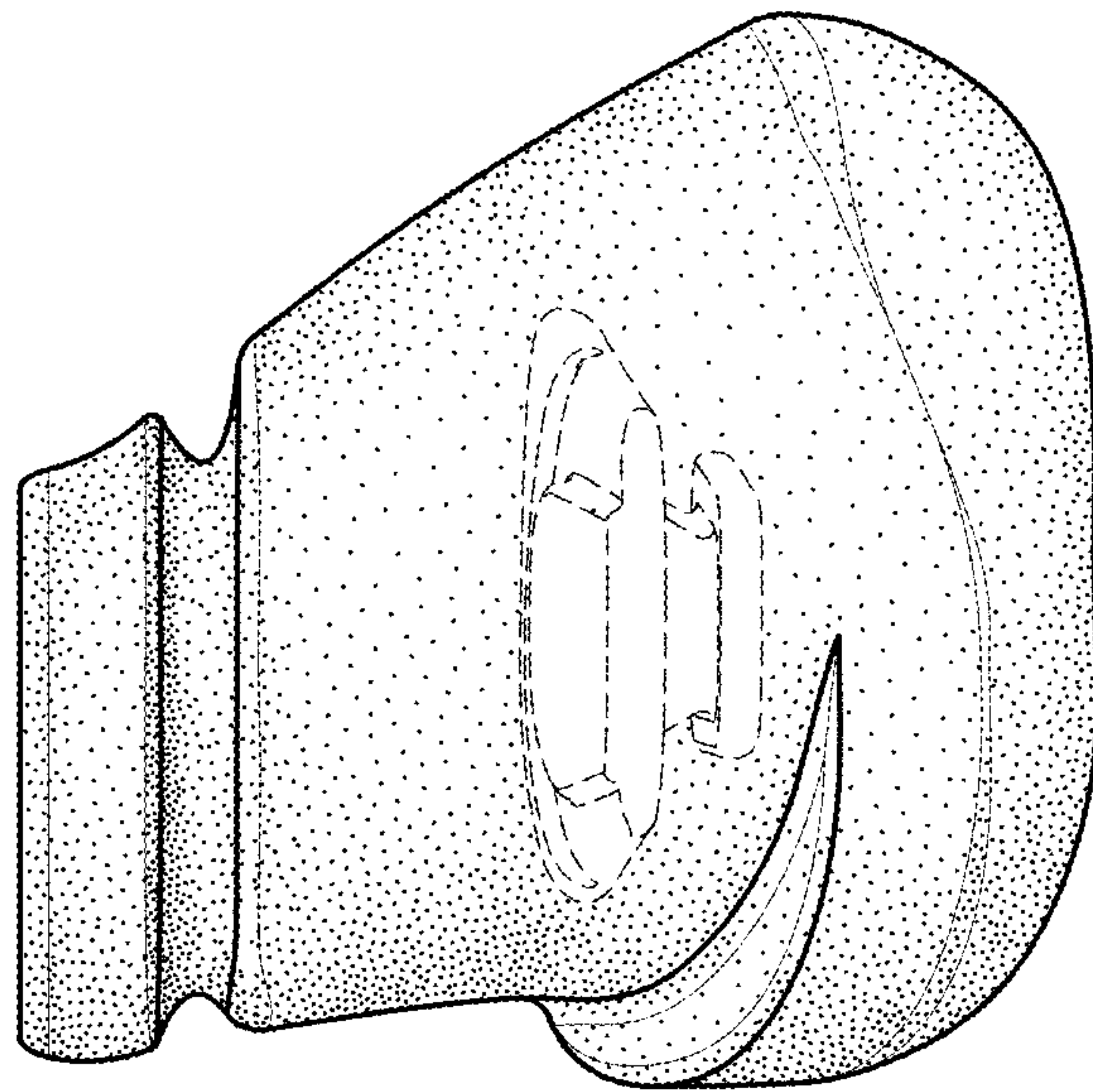


Fig. 7

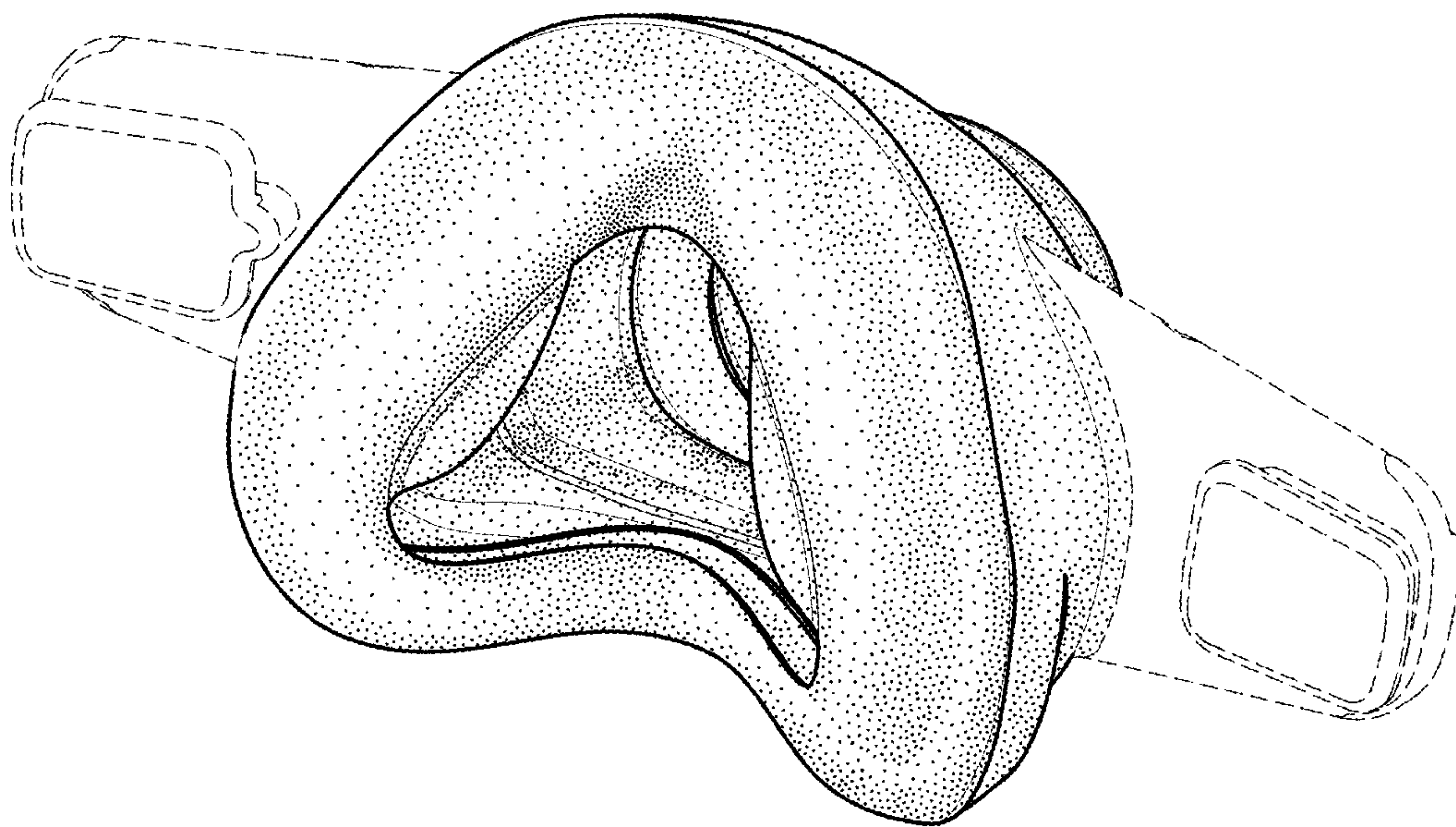


Fig. 8