



US00D782031S

(12) **United States Design Patent**
Prentice et al.

(10) **Patent No.:** **US D782,031 S**
(45) **Date of Patent:** **** Mar. 21, 2017**

(54) **FACE MASK CUSHION AND FRAME ASSEMBLY**

(71) Applicant: **Fisher & Paykel Healthcare Limited**,
Auckland (NZ)

(72) Inventors: **Craig Robert Prentice**, Auckland (NZ);
Bernard Tsz Lun Ip, Auckland (NZ);
Mark Arvind McLaren, Auckland
(NZ); **Kyle Gregory Brown**, Auckland
(NZ); **Chris Onin Limpin Hipolito**,
Auckland (NZ); **Mark Richard**
Tomlinson, Auckland (NZ); **Melissa**
Catherine Bornholdt, Auckland (NZ)

(73) Assignee: **FISHER & PAYKEL HEALTHCARE LIMITED**, Auckland (NZ)

(**) Term: **15 Years**

(21) Appl. No.: **29/540,681**

(22) Filed: **Sep. 25, 2015**

(51) **LOC (10) Cl.** **29-02**

(52) **U.S. Cl.**
USPC **D24/110.4**

(58) **Field of Classification Search**
USPC D24/110–110.5, 127, 164
CPC A61M 16/0683; A61M 16/0605; A61M
16/0622; A61M 16/06; A61M 16/0616;
A61M 16/0661; A61M 16/0633; A61M
16/0644; A61M 16/0816; A61M 16/08;
A61M 16/0666; A61M 2210/0618
See application file for complete search history.

(56) **References Cited**

U.S. PATENT DOCUMENTS

D383,204 S 9/1997 Lomas et al.
6,631,718 B1 10/2003 Lovell et al.

6,691,707 B1 2/2004 Gunaratnam et al.
D539,901 S 4/2007 McAuliffe et al.
7,290,546 B2 11/2007 Sprinkle et al.
D556,899 S 12/2007 Veliss et al.
D579,105 S 10/2008 Jones et al.
D597,202 S 7/2009 Reid et al.

(Continued)

OTHER PUBLICATIONS

Fisher & Paykel Announces Eson 2 Mask at Investor Day. Sleep Review. Oct. 12, 2015. <<http://www.sleepreviewmag.com/2015/10/fisher-paykel-announces-eson-2-mask-investor-day/>>.

(Continued)

Primary Examiner — Barbara Fox
Assistant Examiner — Lilyana Bekic

(74) *Attorney, Agent, or Firm* — Knobbe, Martens, Olson & Bear, LLP

(57) **CLAIM**

The ornamental design for a face mask cushion and frame assembly, as shown and described.

DESCRIPTION

FIG. 1 is a top, front and side perspective view of a face mask cushion and frame assembly embodying our new design;

FIG. 2 is a top, rear and side perspective view thereof;

FIG. 3 is a front view thereof;

FIG. 4 is a rear view thereof;

FIG. 5 is a first side view thereof;

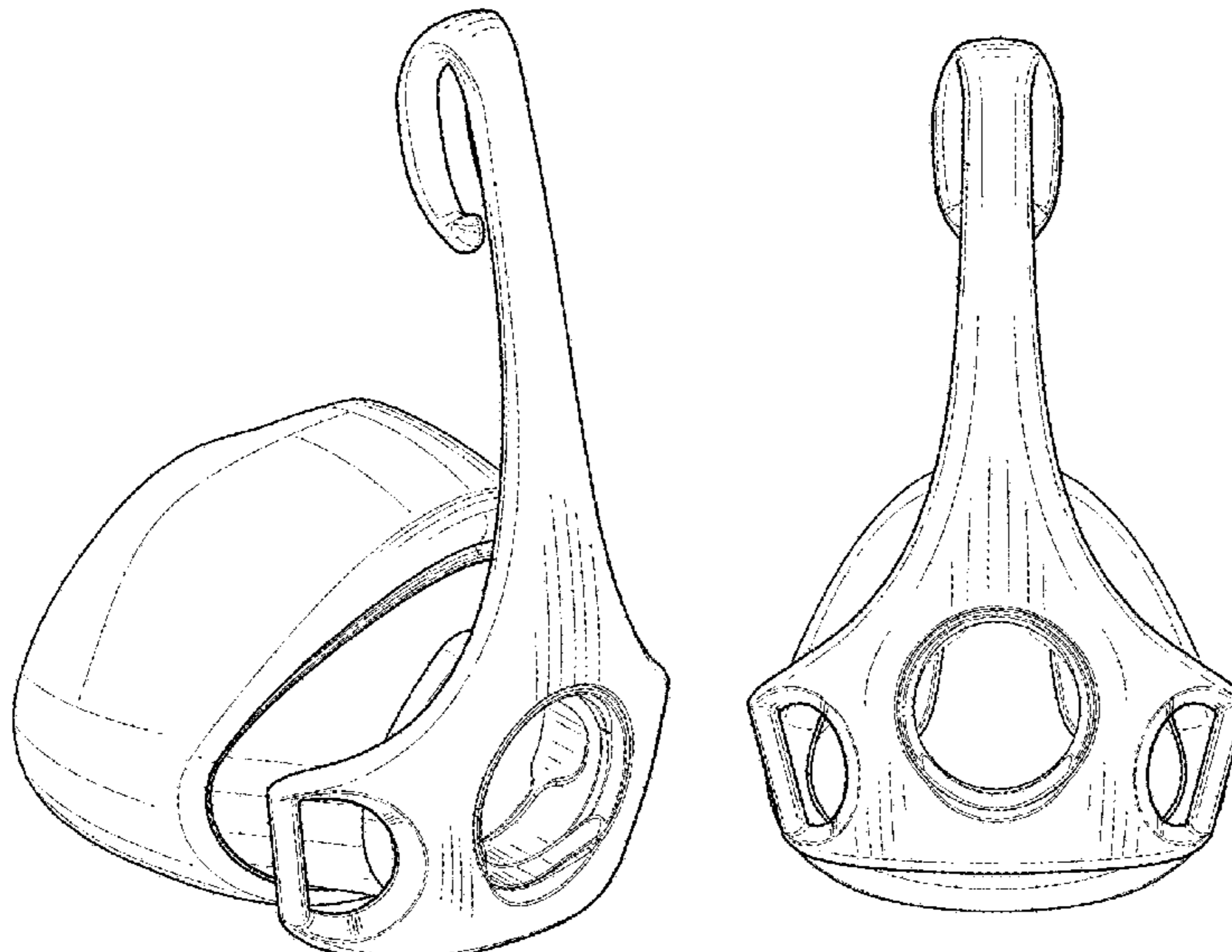
FIG. 6 is a second side view thereof;

FIG. 7 is a top view thereof; and,

FIG. 8 is a bottom view thereof.

Broken lines are used to illustrate portions of the face mask cushion and frame assembly which form no part of the claimed design.

1 Claim, 8 Drawing Sheets



(56)

References Cited

U.S. PATENT DOCUMENTS

7,793,987 B1 9/2010 Busch et al.
 D637,283 S 5/2011 Selvarajan et al.
 D651,304 S 12/2011 Edwards et al.
 D656,231 S 3/2012 Henry et al.
 D679,376 S 4/2013 Von Hollen et al.
 D679,377 S 4/2013 Von Hollen et al.
 D679,378 S 4/2013 Von Hollen et al.
 D683,447 S * 5/2013 Olsen D24/110.1
 D692,554 S 10/2013 Siew et al.
 D693,459 S * 11/2013 Prentice D24/110.1
 D695,887 S * 12/2013 Ozolins D24/110.4
 D696,767 S 12/2013 Scheiner et al.
 D697,203 S 1/2014 Clarke et al.
 D706,413 S 6/2014 Veliss et al.
 D717,945 S 11/2014 Neff et al.
 8,950,404 B2 2/2015 Formica et al.
 D740,934 S 10/2015 Formica et al.
 D748,242 S 1/2016 Campbell et al.
 D751,188 S 3/2016 Skipper et al.
 D753,813 S 4/2016 Ozolins et al.
 D754,328 S * 4/2016 Bowsher D24/110.1
 2002/0023649 A1 2/2002 Gunaratnam
 2002/0026934 A1 3/2002 Lithgow
 2003/0196659 A1 10/2003 Gradon et al.
 2004/0083534 A1 5/2004 Ruiz
 2004/0112377 A1 6/2004 Amarasinghe
 2007/0175480 A1 8/2007 Gradon et al.
 2008/0192459 A1 8/2008 Kwok et al.
 2009/0194111 A1 8/2009 Fu et al.
 2010/0000538 A1 1/2010 Edwards et al.
 2010/0031963 A1 2/2010 Lee et al.
 2010/0059058 A1 3/2010 Kuo
 2011/0197341 A1 8/2011 Formica et al.
 2012/0204881 A1 8/2012 Davidson et al.
 2012/0234326 A1 9/2012 Mazzone et al.
 2012/0305001 A1 12/2012 Tatkov et al.
 2013/0152937 A1 6/2013 Jablonski et al.
 2013/0152938 A1 6/2013 Jablonski et al.
 2013/0239972 A1 9/2013 McAuley et al.
 2014/0090649 A1 4/2014 Groll et al.
 2014/0096774 A1 4/2014 Olsen et al.

2014/0174446 A1* 6/2014 Prentice A61M 16/06
 128/205.25
 2014/0261427 A1 9/2014 Foote
 2014/0305433 A1 10/2014 Rothermel
 2014/0326246 A1 11/2014 Chodkowski et al.
 2015/0000671 A1* 1/2015 Frerichs A61M 16/0683
 128/206.21
 2015/0151069 A1 6/2015 Zeijlstra et al.
 2015/0174354 A1* 6/2015 Matula, Jr. A61M 16/06
 128/202.27
 2015/0174355 A1* 6/2015 Willard A61M 16/0605
 128/202.13
 2015/0202397 A1* 7/2015 Pastoor A61M 16/0683
 128/205.25
 2015/0209540 A1* 7/2015 Hendriks A61M 16/0683
 128/204.21
 2015/0306320 A1 10/2015 Markus
 2015/0328422 A1* 11/2015 Chodkowski A61M 16/06
 128/206.21
 2015/0367092 A1 12/2015 Goff et al.
 2016/0008558 A1* 1/2016 Huddart A61M 16/06
 128/205.25
 2016/0067442 A1* 3/2016 Salmon A61M 16/0683
 128/205.25
 2016/0082218 A1 3/2016 Lau et al.
 2016/0121067 A1 5/2016 VanMiddendorp et al.

OTHER PUBLICATIONS

New—Eson 2 Fisher & Paykel Nasal Mask. CPAP Victoria: Snoring & Sleep Apnoea Solutions. cpapvictoria.com.au. Date accessed: May 21, 2016. <<http://cpapvictoria.com.au/new-eson-2-fisher-paykel-nasal-mask.html>>.
 Fisher & Paykel Eson 2 Nasal Mask. CPAP Direct. cpapdirect.com.au. Date accessed: May 21, 2016. <<https://cpapdirect.com.au/wp-content/uploads/2-15/12/Eson2-Exploded-Image.jpg>>.
 Office Action for U.S. Appl. No. 29/540,662 dated May 19, 2016.
 Office Action for U.S. Appl. No. 29/540,693 dated Jun. 2, 2016.
 Office Action for U.S. Appl. No. 29/540,680 dated Jun. 2, 2016.
 Swivel for Fisher Paykel Eson2 Nasal Mask #400FPH241. CPAP Australia. www.cpapaaustralia.com.au. Date accessed: May 21, 2016. <<https://www.cpapaaustralia.com.au/shopping/swivel-for-fisher-paykel-eson2-nasal-mask-400fph241.html>>.

* cited by examiner

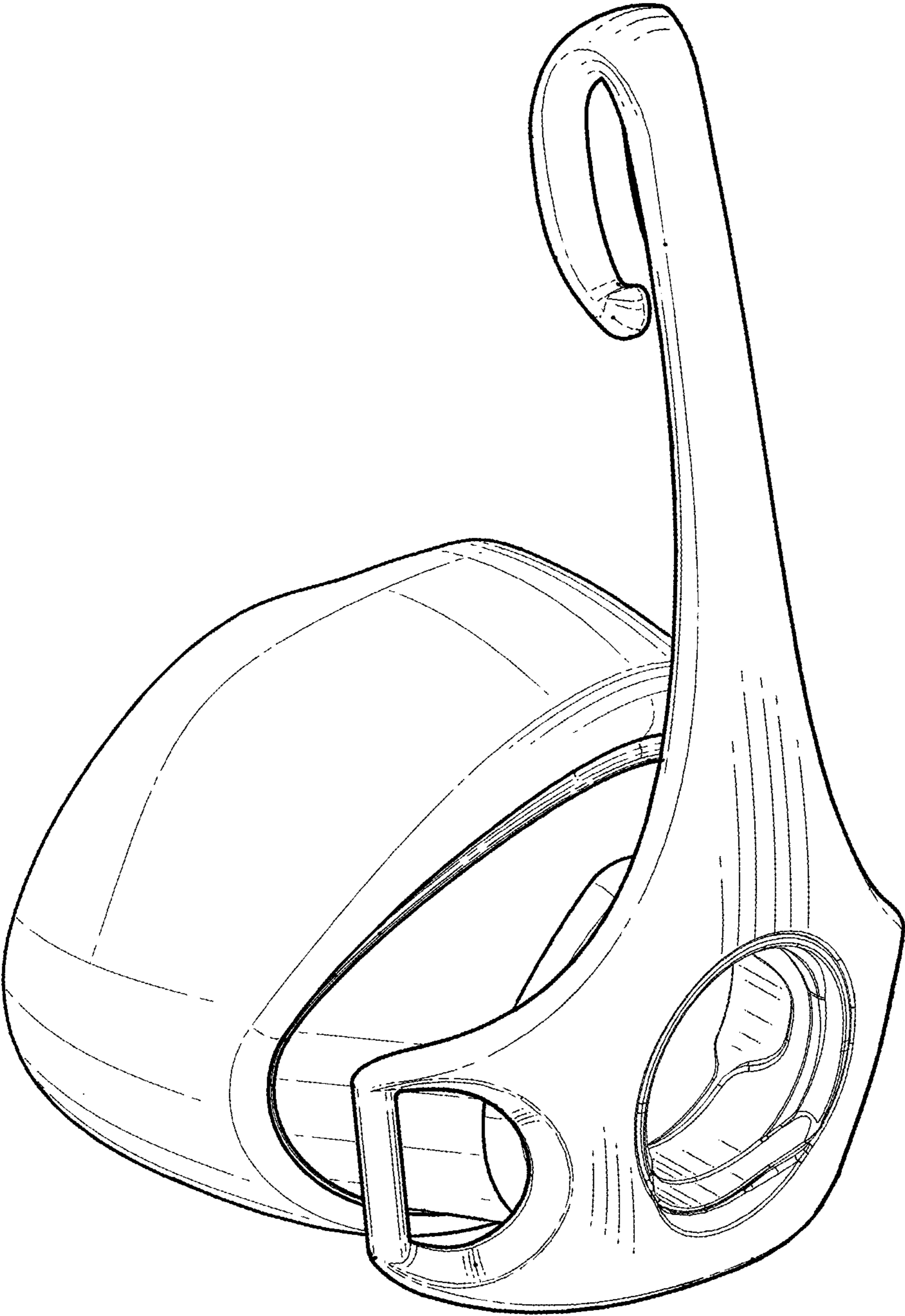


FIG. 1



FIG. 2

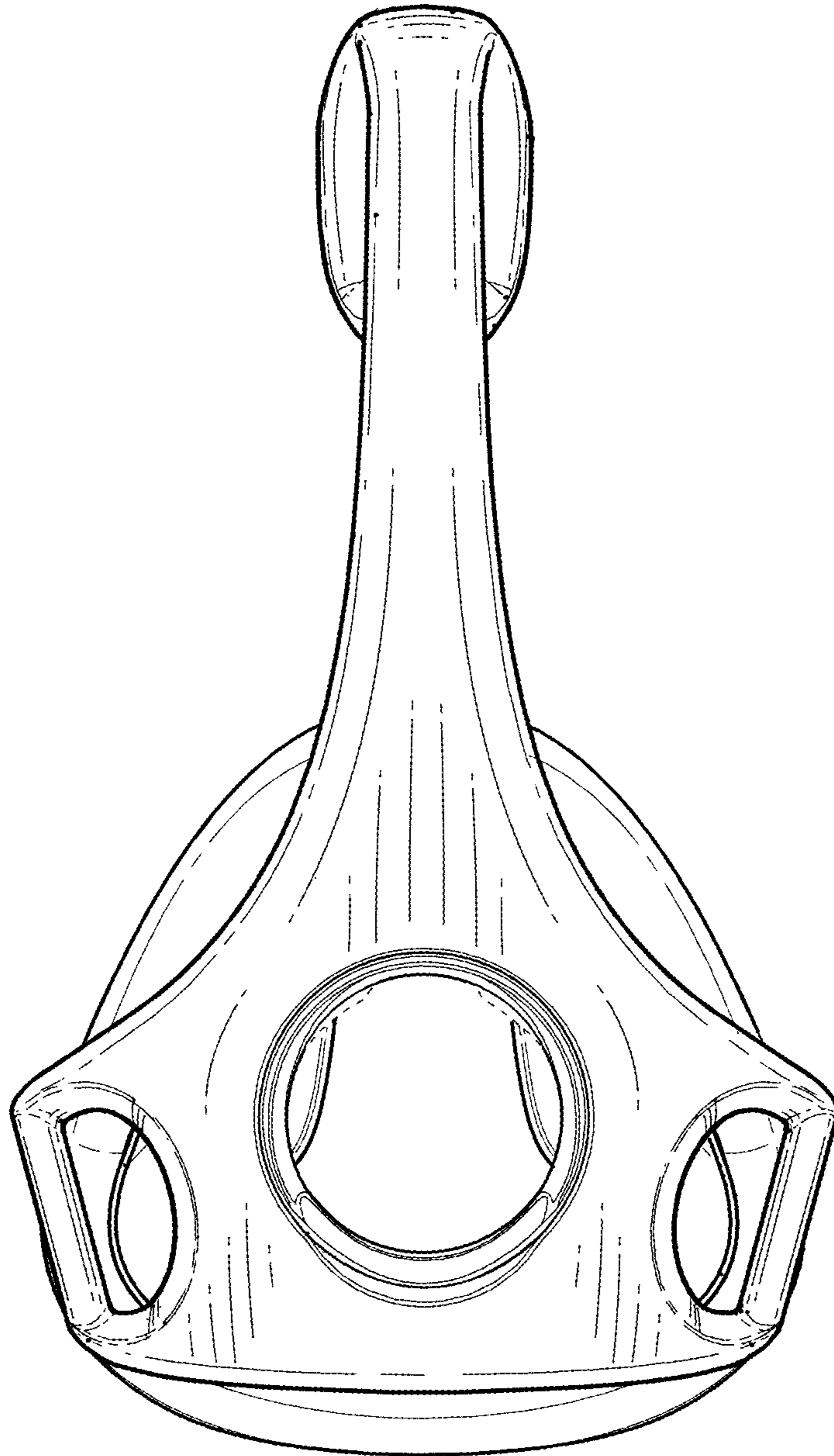


FIG. 3

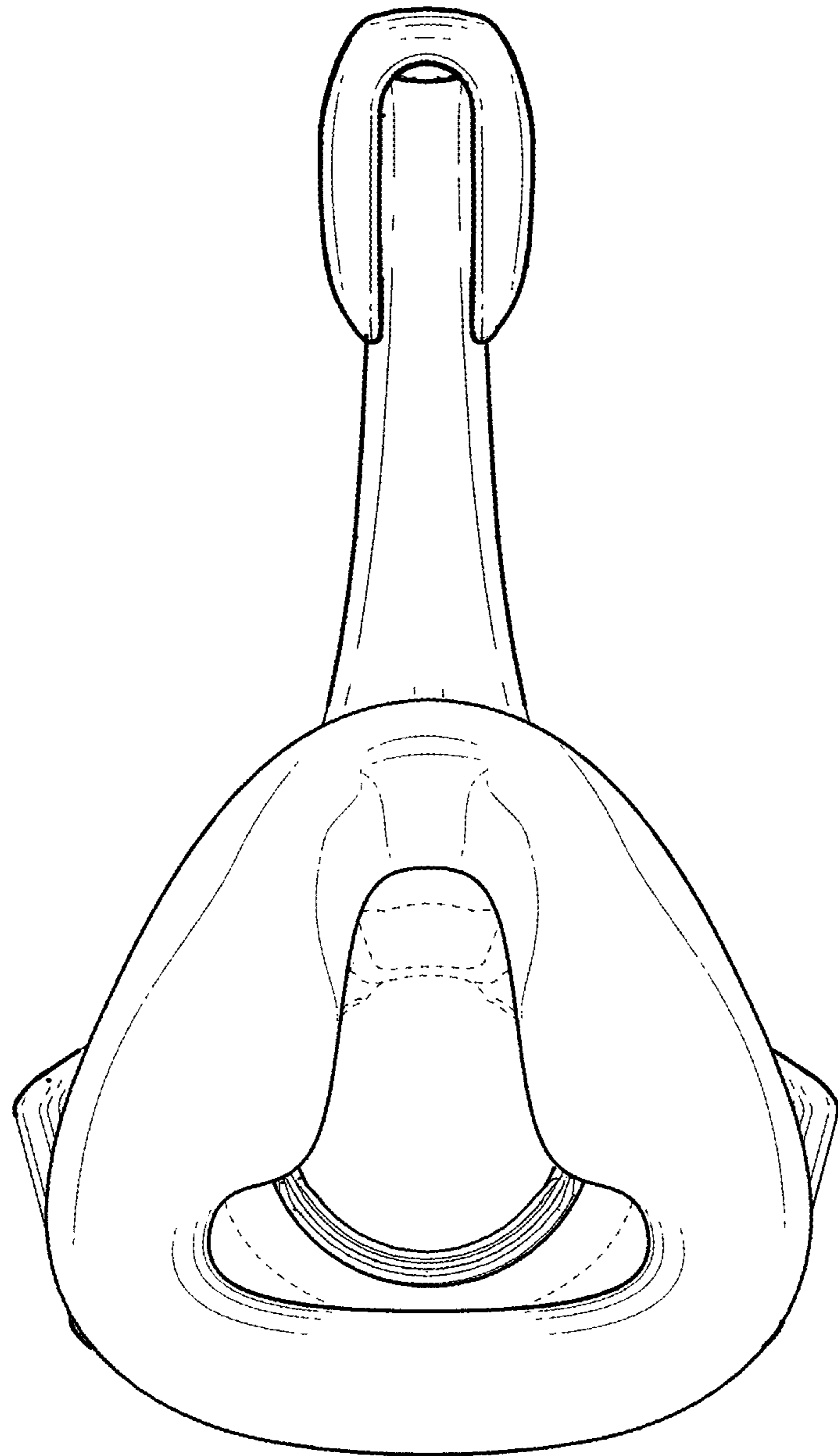


FIG. 4

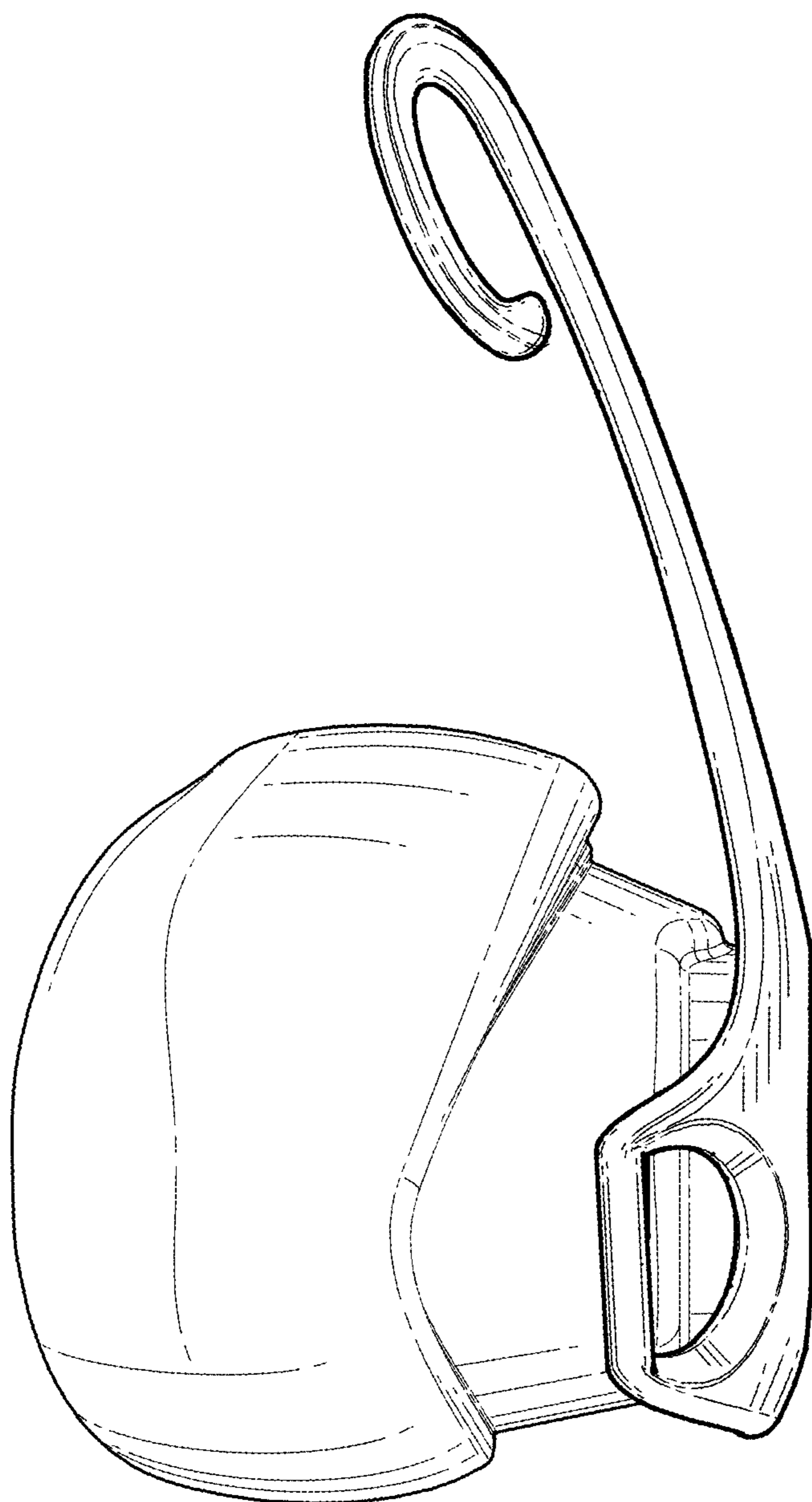


FIG. 5

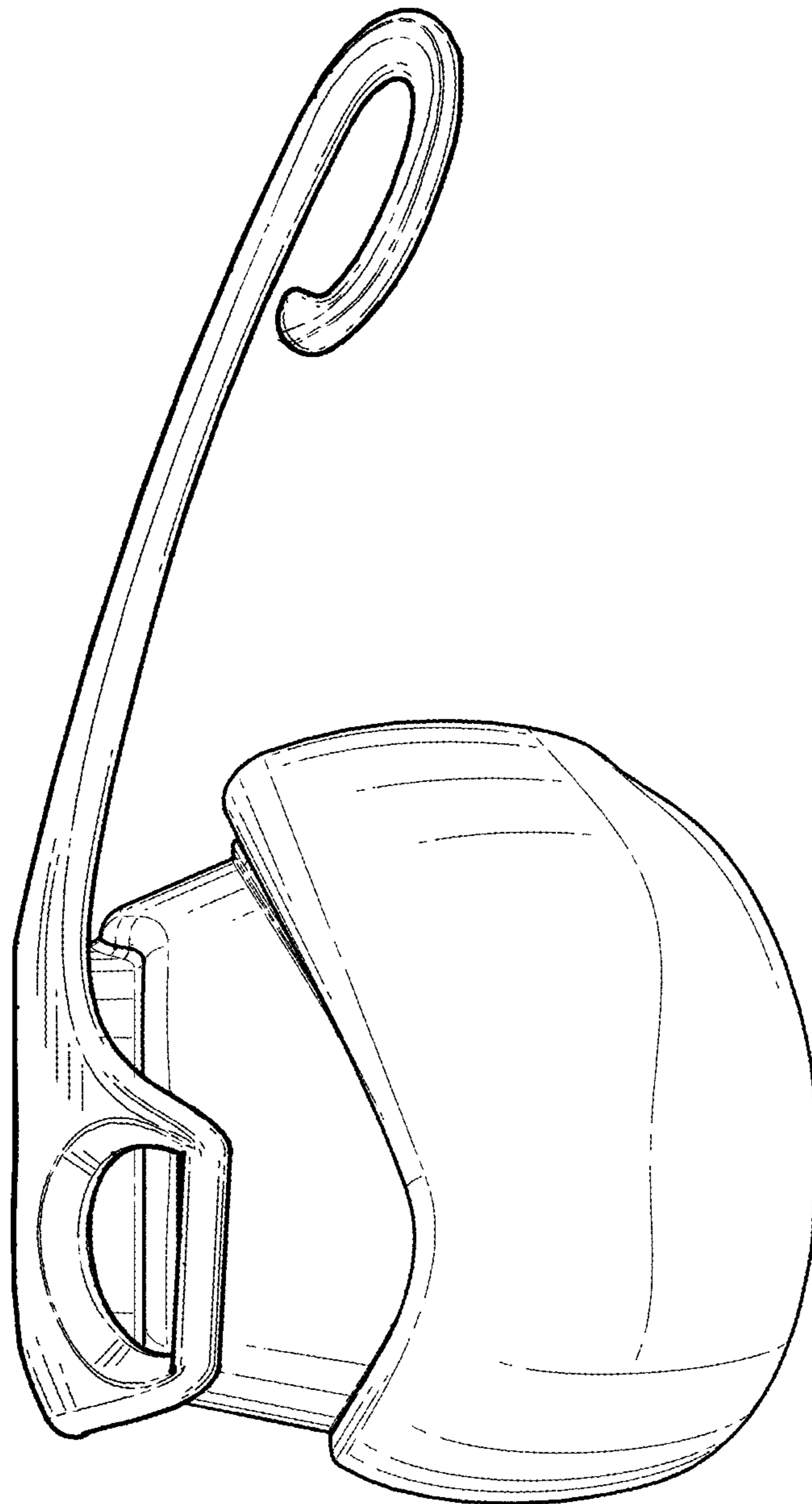


FIG. 6

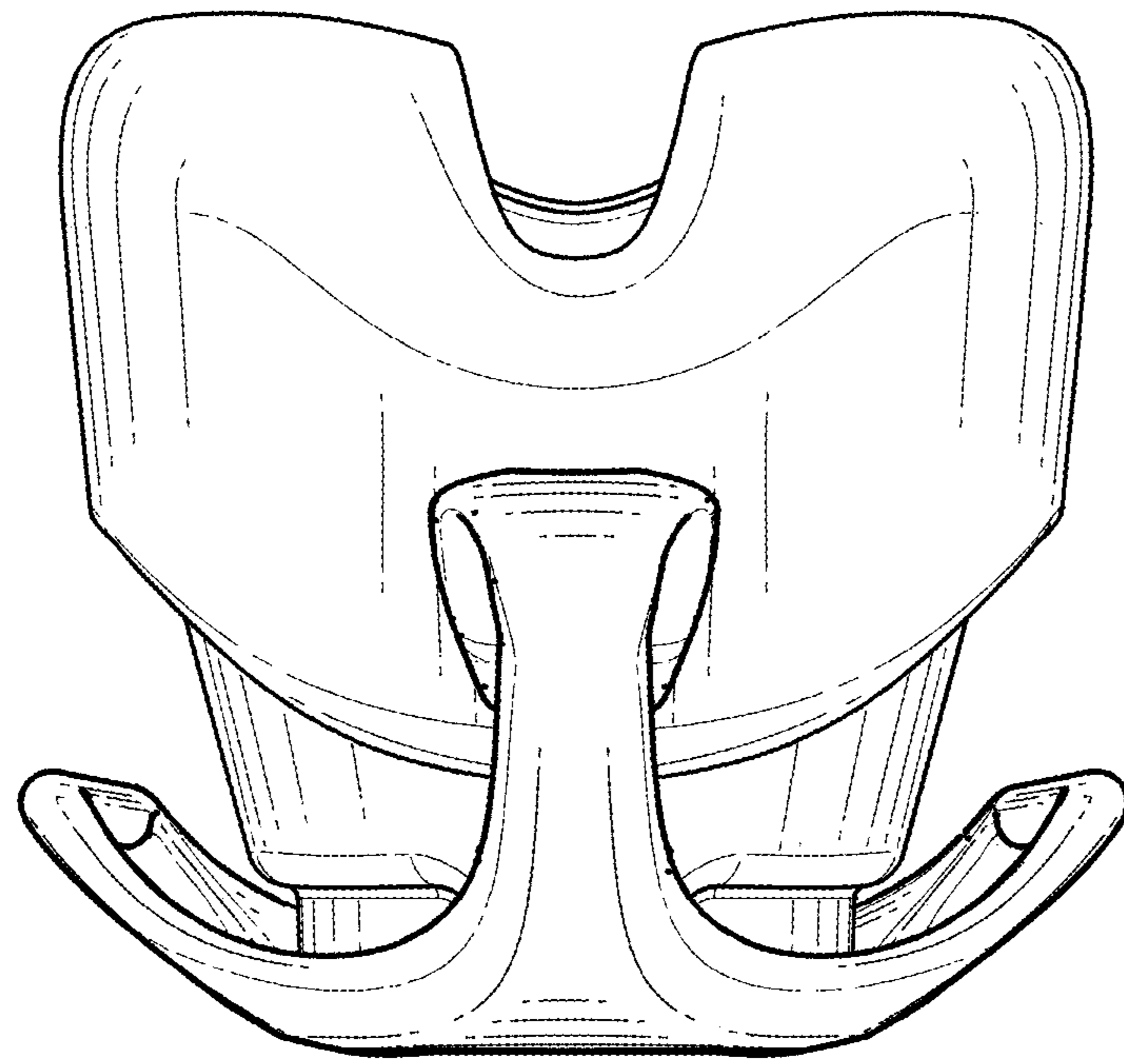


FIG. 7

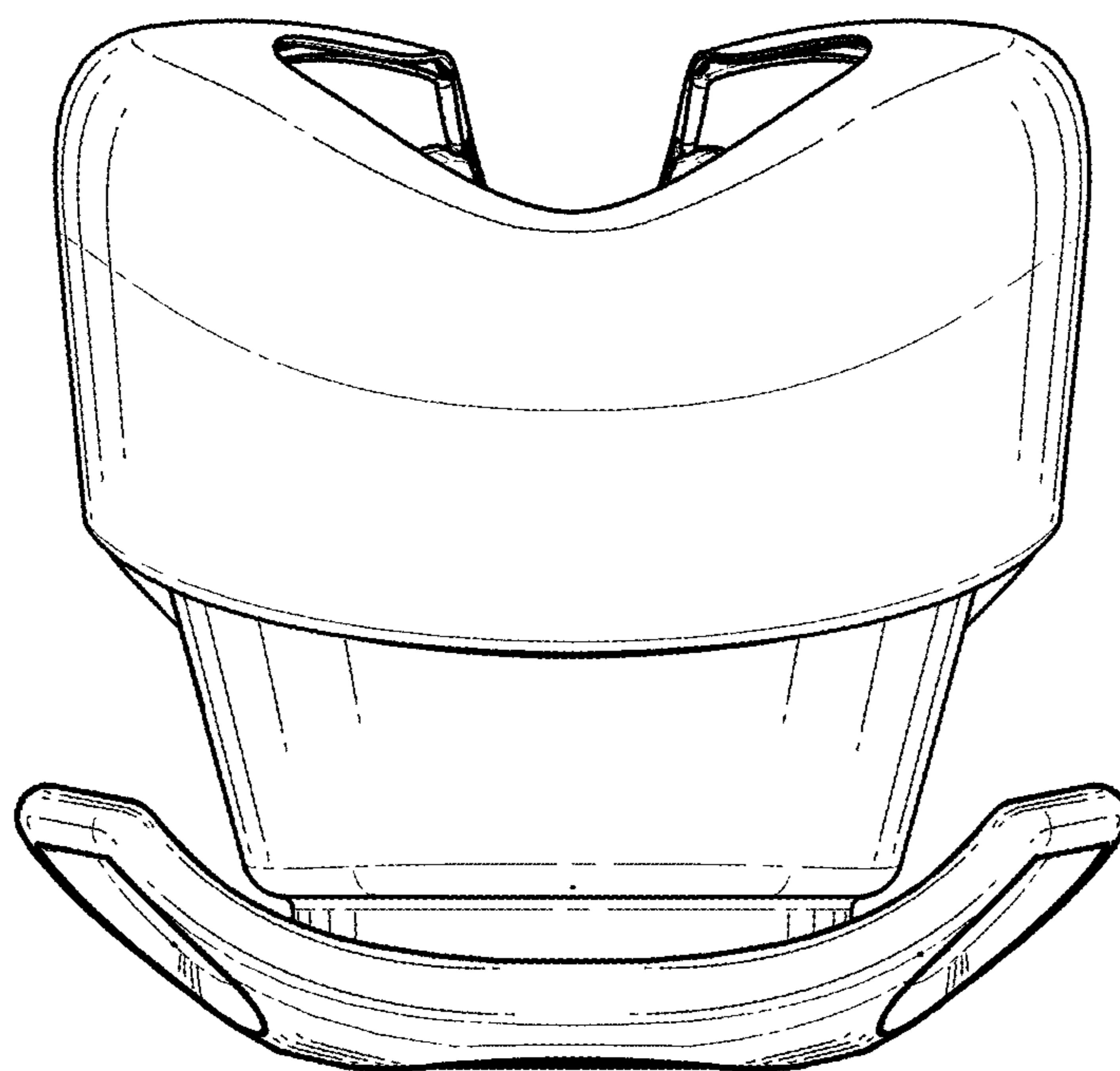


FIG. 8