



US00D782027S

(12) **United States Design Patent** (10) **Patent No.:** **US D782,027 S**
Ilan et al. (45) **Date of Patent:** **** Mar. 21, 2017**

(54) **APPLICATOR DEVICE**

6,159,195 A 12/2000 Ha et al.
6,790,196 B2 9/2004 Kokate et al.
7,125,569 B2 10/2006 Nur et al.

(71) Applicant: **Omrix Biopharmaceuticals Ltd.**,
Rehovot (IL)

(Continued)

(72) Inventors: **Erez Ilan**, Kibbutz Netzer Sereni (IL);
Yotam Gurman, Kibbutz Or Haner
(IL); **Moti Meron**, Herzliah (IL)

FOREIGN PATENT DOCUMENTS

CN 101431970 5/2009
EP 2186485 5/2010

(Continued)

(73) Assignee: **Omrix Biopharmaceuticals Ltd.**,
Rehovot (IL)

OTHER PUBLICATIONS

(**) Term: **15 Years**

Vilela et al. "What Is Important For Continent Catheterizable
Stomas: Angulations or Extension?" Int Braz J Urol. 2007; vol.
33(2): 254-263.

(21) Appl. No.: **29/556,428**

(Continued)

(22) Filed: **Mar. 1, 2016**

Related U.S. Application Data

(62) Division of application No. 29/457,034, filed on Jun.
6, 2013, now Pat. No. Des. 754,325.

Primary Examiner — Wan Laymon
Assistant Examiner — Mark Booker

(74) *Attorney, Agent, or Firm* — David R. Crichton

(51) **LOC (10) Cl.** **24-01**

(57) **CLAIM**

(52) **U.S. Cl.**
USPC **D24/108**

The ornamental design for an applicator device, as shown
and described.

(58) **Field of Classification Search**
USPC D24/107-108, 127, 145-147, 189;
600/581, 582, 37, 563; 606/213-214,
606/217, 222; 604/11-15, 27, 31-35,
604/39-41, 901, 905; 623/2.1-2.42, 3.1
CPC A61B 17/00491; A61B 2017/1107; A61B
2017/005; A61B 17/00
See application file for complete search history.

DESCRIPTION

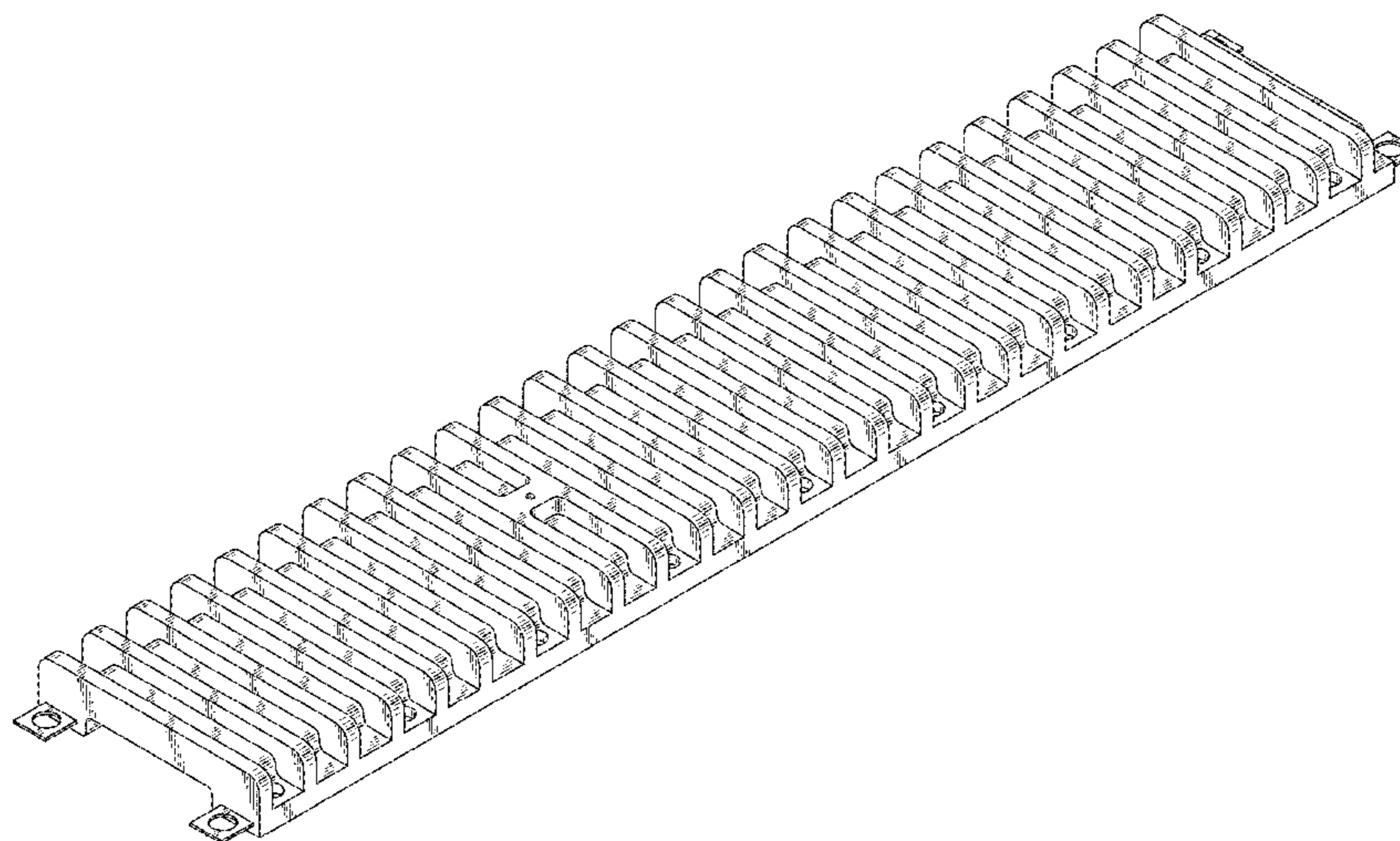
FIG. 1 is a perspective view of a corrugated applicator
device.
FIG. 2 is a top view of the corrugated applicator device
shown in FIG. 1;
FIG. 3 is a side elevation view of the corrugated applicator
device shown in FIG. 1;
FIG. 4 is a bottom view of the corrugated applicator device
shown in FIG. 1;
FIG. 5 is a front view of the corrugated applicator device
shown in FIG. 1; and,
FIG. 6 is a backside view of the corrugated applicator device
shown in FIG. 1.

(56) **References Cited**

U.S. PATENT DOCUMENTS

D308,448 S * 6/1990 Beaulieu D20/10
5,456,249 A 10/1995 Kirk
5,749,895 A 5/1998 Sawyer et al.
5,792,835 A 8/1998 Tse et al.
6,121,232 A 9/2000 Nur et al.

1 Claim, 3 Drawing Sheets



(56)

References Cited

U.S. PATENT DOCUMENTS

8,512,740 B2	8/2013	Delmotte	
D754,325 S *	4/2016	Ilan	D24/108
2003/0013989 A1	1/2003	Obermiller et al.	
2005/0004158 A1	1/2005	Iyer et al.	
2005/0118156 A1	6/2005	Woolverton	
2006/0085031 A1	4/2006	Bettuchi	
2007/0088445 A1	4/2007	Patel et al.	
2008/0004657 A1	1/2008	Obermiller et al.	
2008/0015481 A1	1/2008	Bergin et al.	
2008/0027477 A1	1/2008	Obermiller et al.	
2008/0071310 A1	3/2008	Hoffman et al.	
2008/0114385 A1 *	5/2008	Byrum	A61B 17/11 606/154
2008/0267940 A1	10/2008	Mohammed et al.	
2009/0326577 A1	12/2009	Johnson et al.	
2010/0030246 A1	2/2010	Pavenik et al.	
2010/0284998 A1	11/2010	Smith et al.	
2011/0087270 A1	4/2011	Penner et al.	
2011/0196420 A1	8/2011	Ebner	
2011/0238097 A1	9/2011	Bettuchi	

2011/0313406 A1	12/2011	Fortier et al.	
2012/0116300 A1	5/2012	Banks, Jr. et al.	
2013/0006301 A1	1/2013	Sargeant et al.	
2013/0204277 A1	8/2013	Fabry	
2014/0088642 A1 *	3/2014	Ilan	A61B 17/00491 606/214
2014/0188141 A1	7/2014	Ilan et al.	

FOREIGN PATENT DOCUMENTS

WO	WO 93/5822	4/1993
WO	WO 98/33533	8/1998
WO	WO 02/095019	11/2002

OTHER PUBLICATIONS

International Search Report re: PCT/IL2013/000060 dated Dec. 2, 2013.

International Preliminary Report on Patentability re: PCT/IL2013/000060 dated Jan. 27, 2015.

* cited by examiner

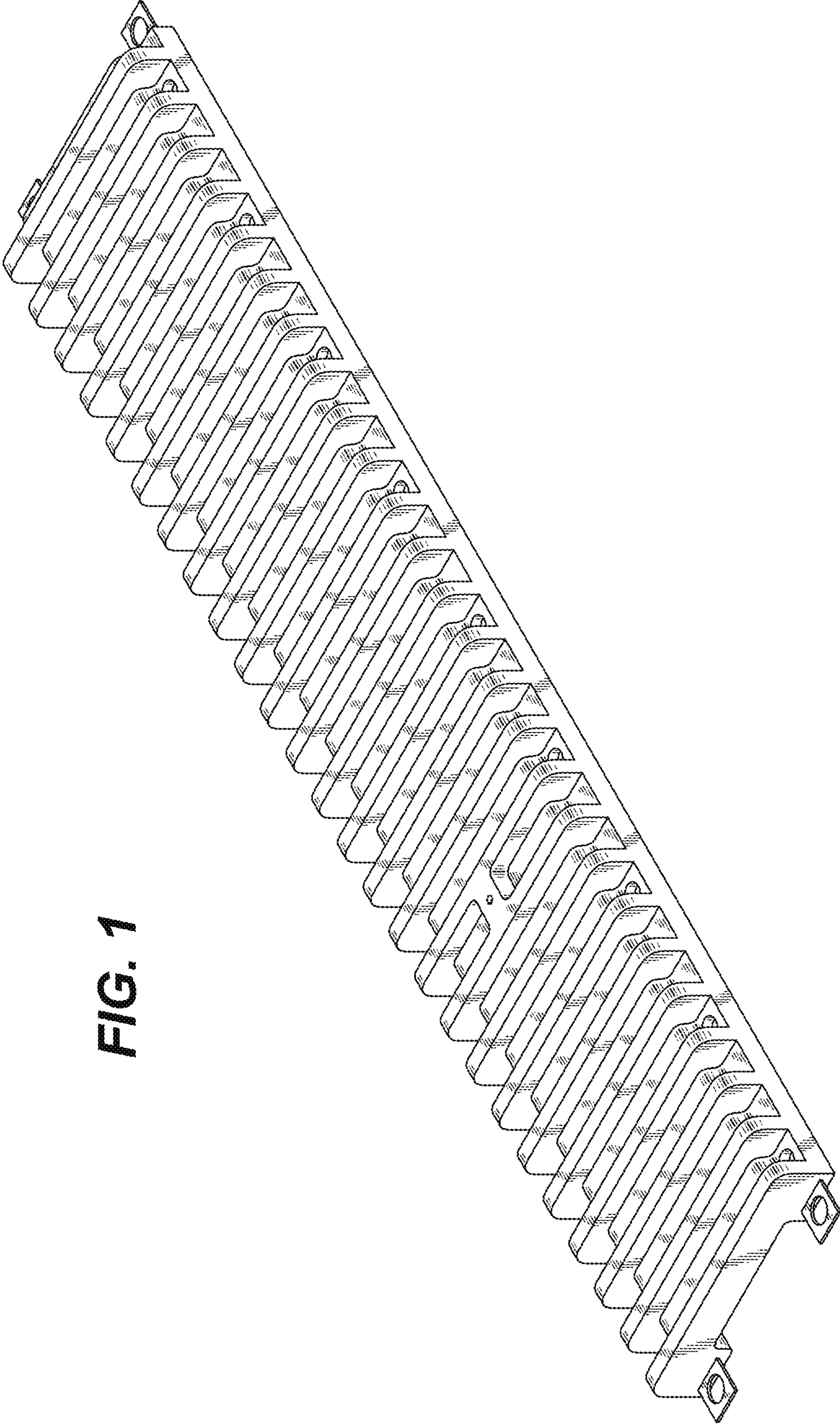


FIG. 1

FIG. 2

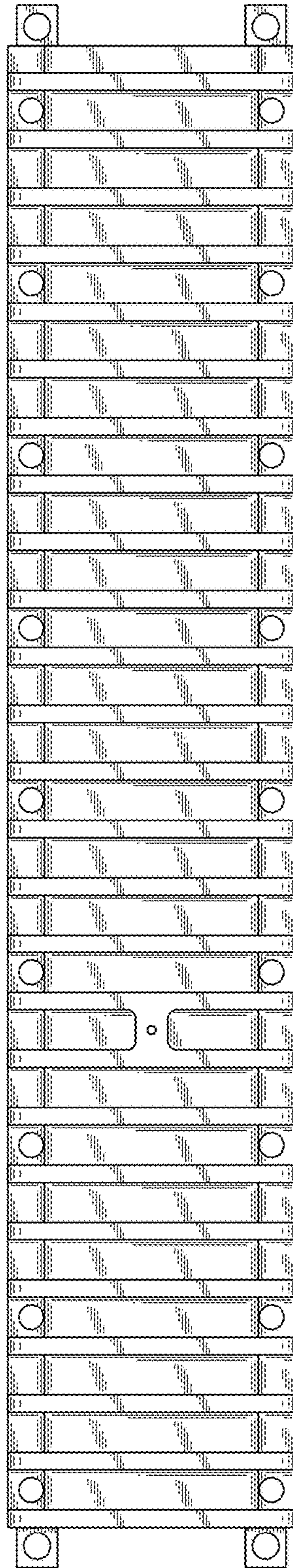


FIG. 3

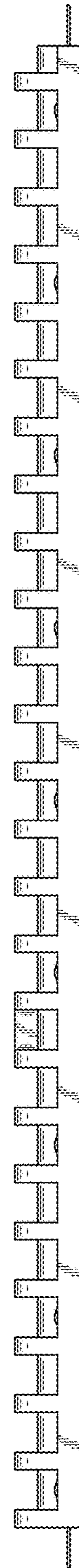


FIG. 4

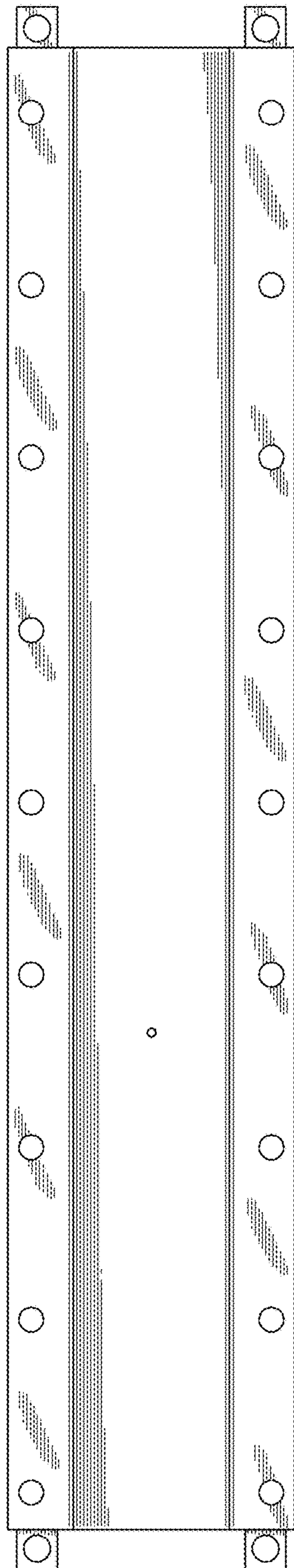


FIG. 5



FIG. 6

