



US00D782026S

(12) **United States Design Patent**
Bresco Torras et al.

(10) **Patent No.:** **US D782,026 S**
(45) **Date of Patent:** **** Mar. 21, 2017**

(54) **ENDOSCOPE SHEATH WITH OBLIQUE TIP**

(71) Applicant: **Covidien LP**, Mansfield, MA (US)

(72) Inventors: **Pere Bresco Torras**, Barcelona (ES);
Maria Degollada Bastos, Barcelona (ES);
Juan Carles Mateu Prununos, Barcelona (ES);
Angel Guerra Garcia, Barcelona (ES);
Mireille Akilian, Somerville, MA (US);
Allen An, Winchester, MA (US);
Nikolai Begg, Wayland, MA (US)

(73) Assignee: **COVIDIEN LP**, Mansfield, MA (US)

(**) Term: **15 Years**

(21) Appl. No.: **29/534,826**

(22) Filed: **Aug. 4, 2015**

(51) **LOC (10) Cl.** **24-01**

(52) **U.S. Cl.**
USPC **D24/108**; D24/112; D24/138

(58) **Field of Classification Search**
USPC D24/107, 108, 111-113, 133, 137, 138
CPC A61B 1/0676; A61B 1/00066; A61B 1/00071;
A61B 1/00131; A61B 1/00135; A61B 1/00137

See application file for complete search history.

(56) **References Cited**

U.S. PATENT DOCUMENTS

D286,566 S * 11/1986 Vukovic D24/138
5,320,635 A * 6/1994 Smith A61B 17/32002
408/713
5,324,301 A * 6/1994 Drucker A61B 17/32002
604/22
5,690,659 A * 11/1997 Smith A61B 50/3001
606/1

5,921,956 A * 7/1999 Grinberg A61B 1/0052
600/146
5,947,990 A * 9/1999 Smith A61B 17/32002
604/22
6,126,592 A * 10/2000 Proch A61B 1/00091
600/114
6,193,666 B1 2/2001 Ouchi
(Continued)

FOREIGN PATENT DOCUMENTS

DE 1261275 2/1968
EP 2436300 4/2012
JP 2013188375 9/2013

Primary Examiner — Barbara Fox
Assistant Examiner — Lilyana Bekic

(57) **CLAIM**

The ornamental design for an endoscope sheath with oblique tip, as shown and described.

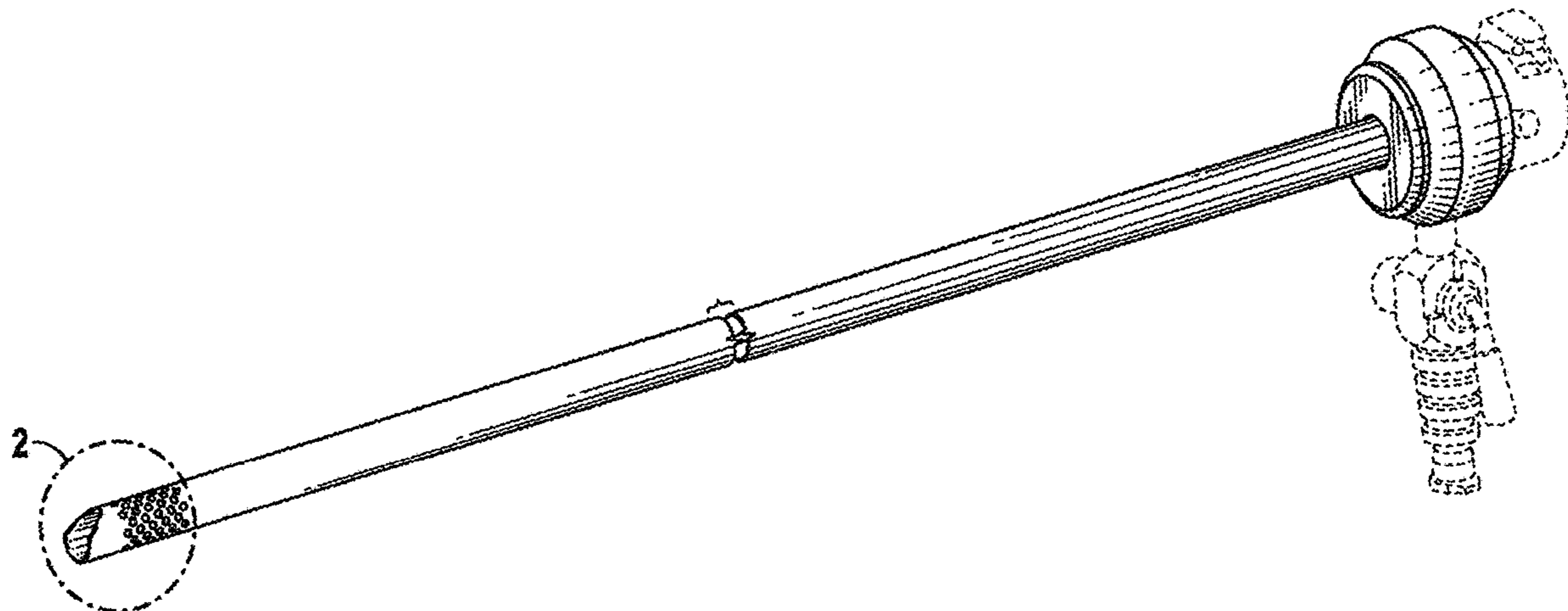
DESCRIPTION

FIG. 1 is a perspective view of an endoscope sheath with oblique tip showing our new design; FIG. 2 is an enlarged, detailed view of the distal tip shown in the encircled portion in FIG. 1; FIG. 3 is a first end-elevation view thereof; FIG. 4 is a second end-elevation view thereof; FIG. 5 is a first side-elevation view thereof; FIG. 6 is a second side-elevation view thereof; FIG. 7 is a top, plan view thereof; and, FIG. 8 is a bottom, plan view thereof.

The dash-dash broken lines in the drawings illustrate portions of the endoscope sheath with oblique tip that form no part of the claimed design.

The endoscope sheath with oblique tip is shown with a symbolic break in its length. The appearance of any portion of the article between the break lines forms no part of the claimed design.

1 Claim, 4 Drawing Sheets



(56)

References Cited

U.S. PATENT DOCUMENTS

6,322,494	B1 *	11/2001	Bullivant	A61B 18/1485	2003/0125607	A1	7/2003	Boebel et al.
				600/104	2003/0130565	A1 *	7/2003	Muller
								A61B 1/00071
								600/156
6,387,110	B1 *	5/2002	Drucker	A61B 17/32002	2005/0085692	A1	4/2005	Kiehn et al.
				606/170	2005/0085695	A1 *	4/2005	Shener
								A61B 1/00071
								600/156
6,620,185	B1 *	9/2003	Harvie	A61B 17/0401	2006/0111612	A1	5/2006	Matsumoto
				606/215	2007/0088200	A1 *	4/2007	Dahmen
								A61B 1/0011
								600/182
7,144,414	B2 *	12/2006	Harvie	A61B 17/00491	2007/0088201	A1 *	4/2007	Eisenkolb
				606/215				A61B 1/0011
								600/182
D536,787	S *	2/2007	Rehbein	D24/133	2007/0118014	A1	5/2007	Fuerst et al.
D570,479	S *	6/2008	Rehbein	D24/108	2007/0135682	A1	6/2007	Moriyama et al.
D570,480	S *	6/2008	Rehbein	D24/108	2008/0214895	A1	9/2008	Campos
D570,481	S *	6/2008	Rehbein	D24/112	2008/0234714	A1 *	9/2008	Jeziarski
D571,007	S *	6/2008	Rehbein	D24/112				A61B 17/32002
D573,257	S *	7/2008	Rehbein	D24/112				606/170
D580,051	S *	11/2008	Rehbein	D24/108	2010/0022838	A1 *	1/2010	Hoeg
D624,653	S *	9/2010	Boillat	D24/133				A61B 1/00096
D639,943	S *	6/2011	Bettocchi	D24/137				600/131
D667,544	S *	9/2012	Bettocchi	D24/137	2010/0286616	A1 *	11/2010	Baroud
D674,090	S *	1/2013	Campo	D24/138				A61B 17/3472
8,574,254	B2 *	11/2013	Hedstrom	A61B 17/32002				604/164.11
				606/171	2012/0078038	A1 *	3/2012	Sahney
								A61B 1/00135
								600/104
8,931,388	B2 *	1/2015	Jeziarski	A61B 17/32002	2012/0253227	A1 *	10/2012	Shener-
				606/167				Irmakoglu
								A61B 17/32002
								600/567
D729,384	S *	5/2015	Renner	D24/138	2014/0135806	A1 *	5/2014	Shener-
9,232,958	B2 *	1/2016	Jeziarski	A61B 17/32002				Irmakoglu
								A61B 17/1604
								606/170
2003/0032860	A1	2/2003	Avni et al.					

* cited by examiner

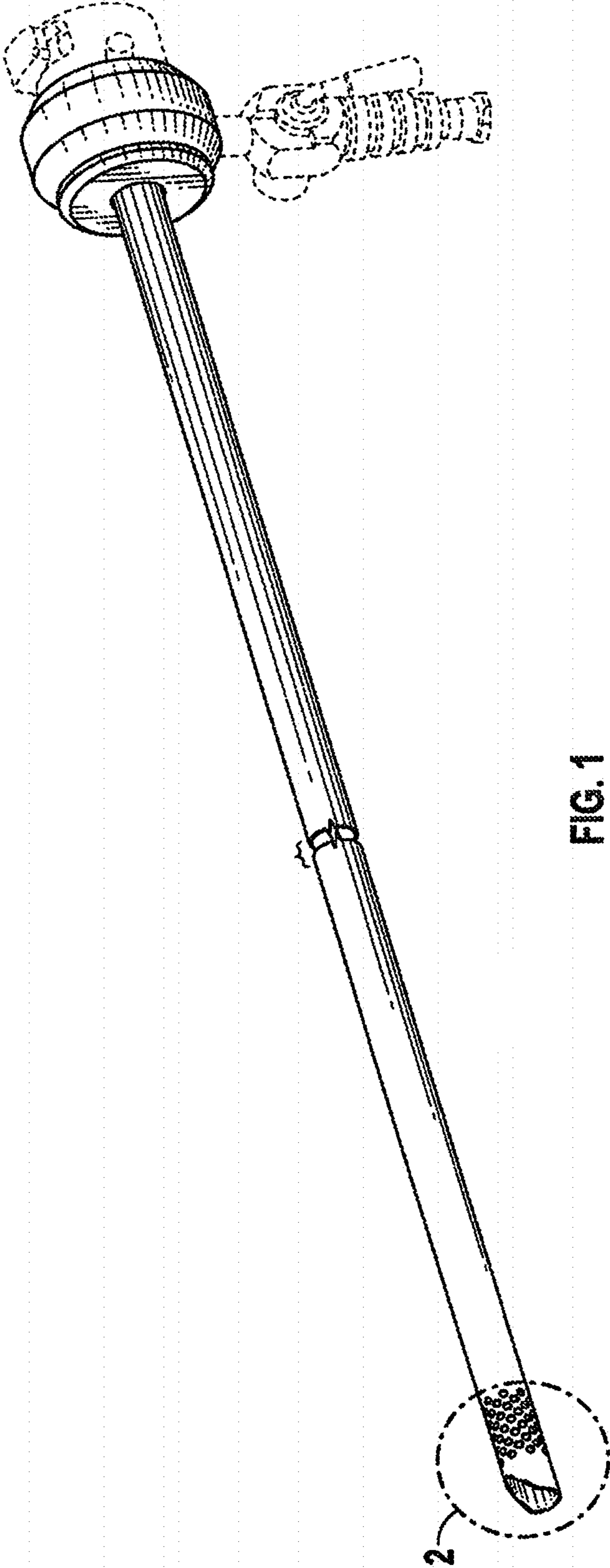


FIG. 1

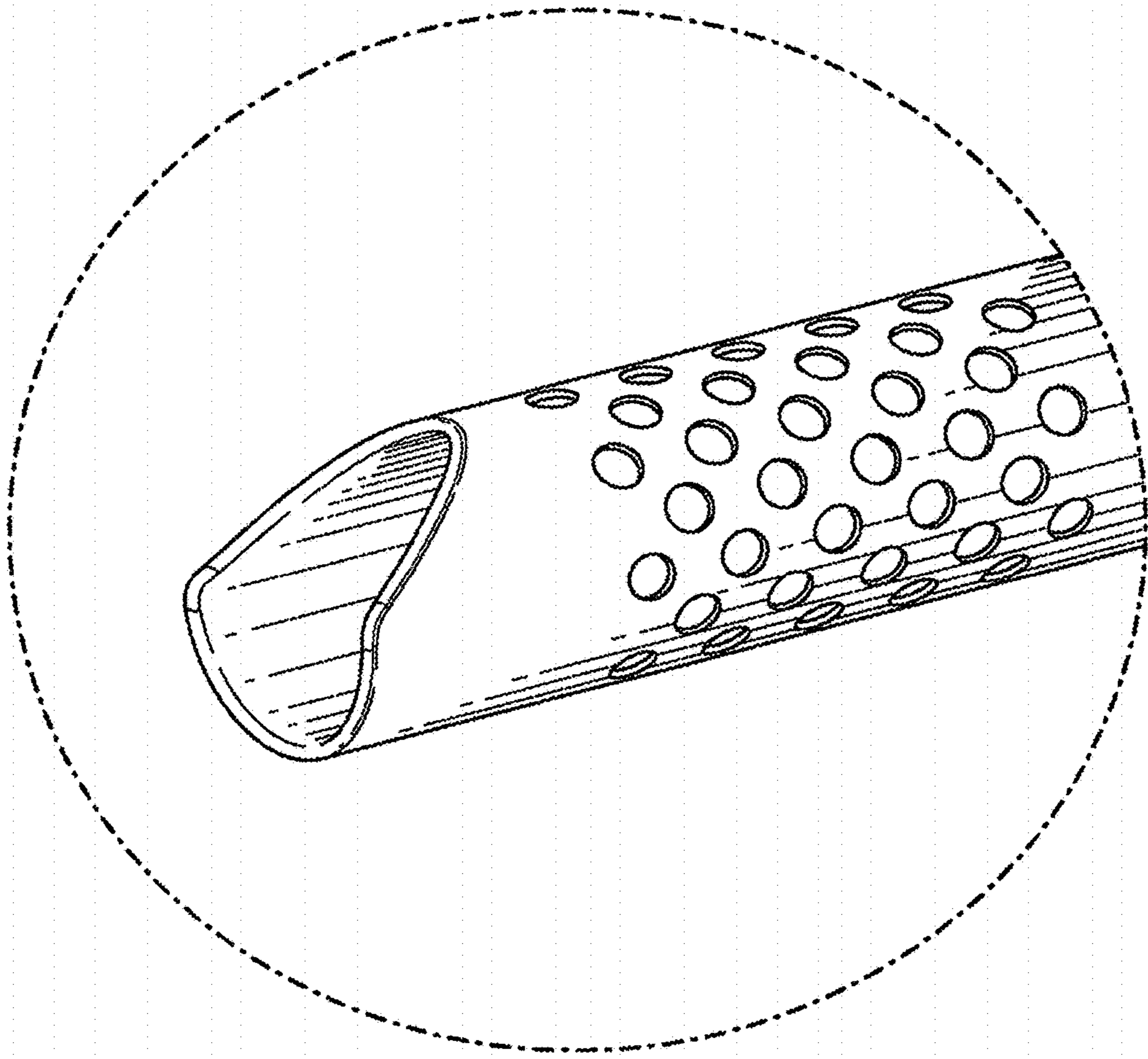


FIG. 2

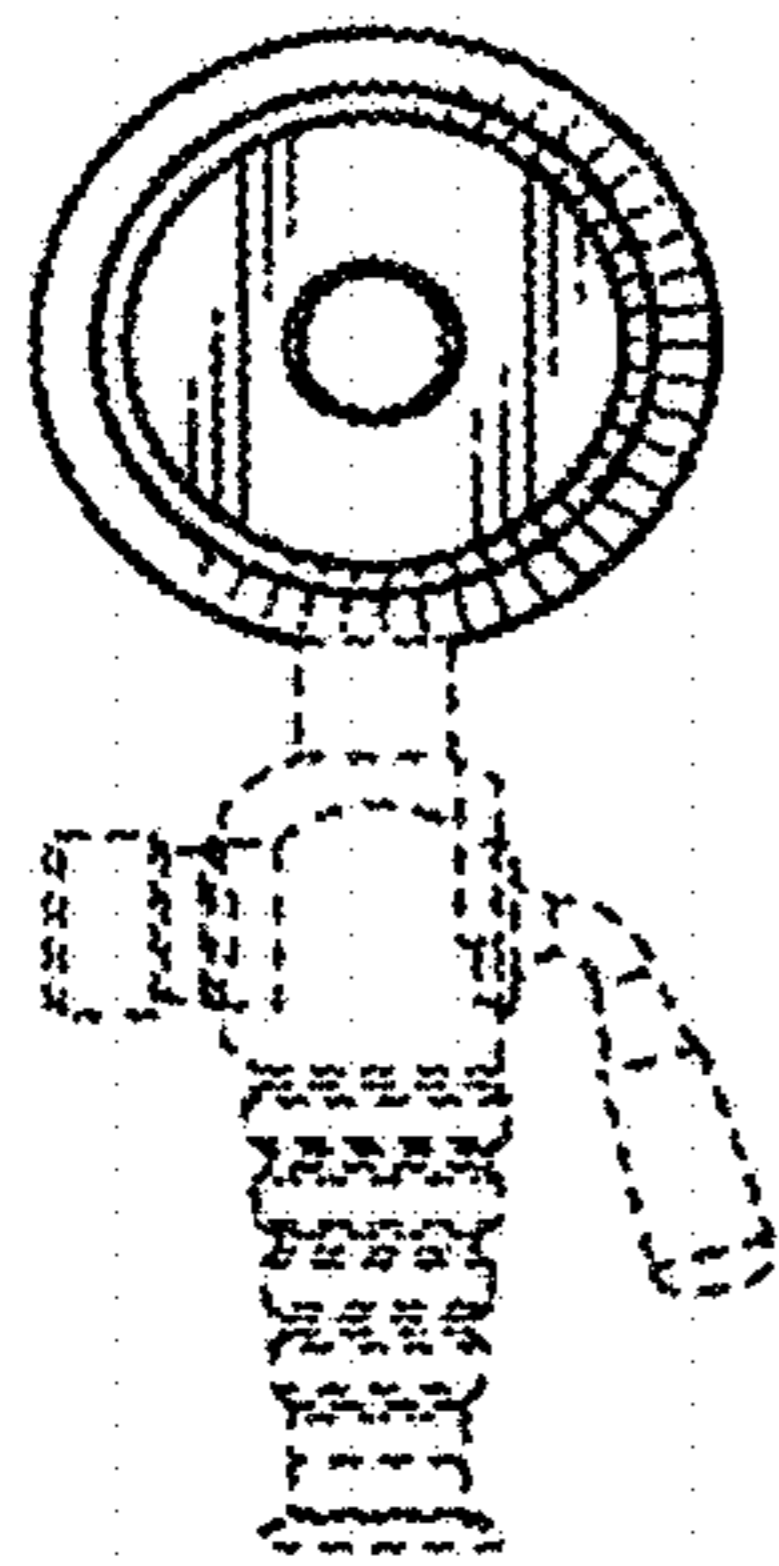


FIG. 3

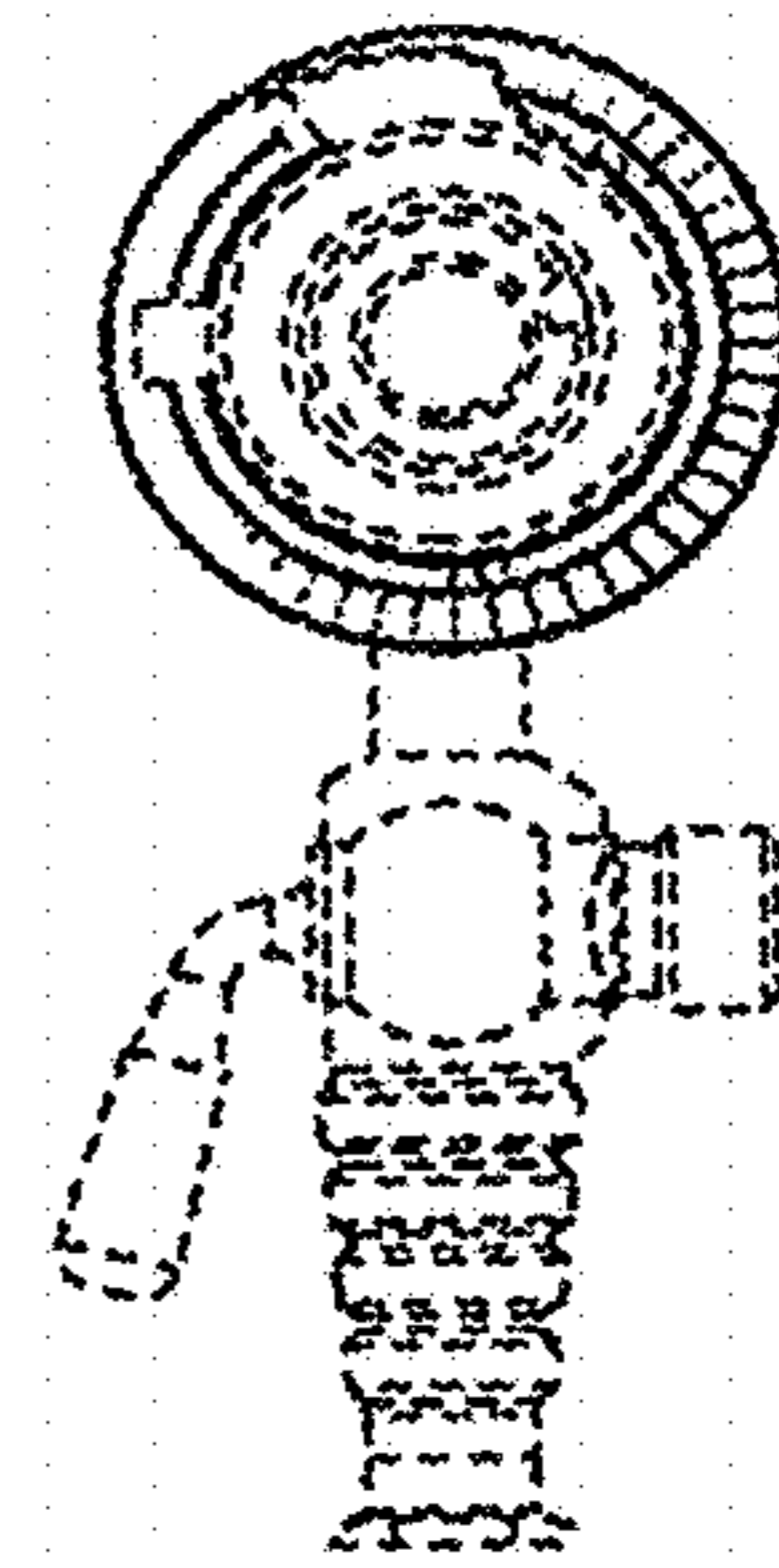


FIG. 4

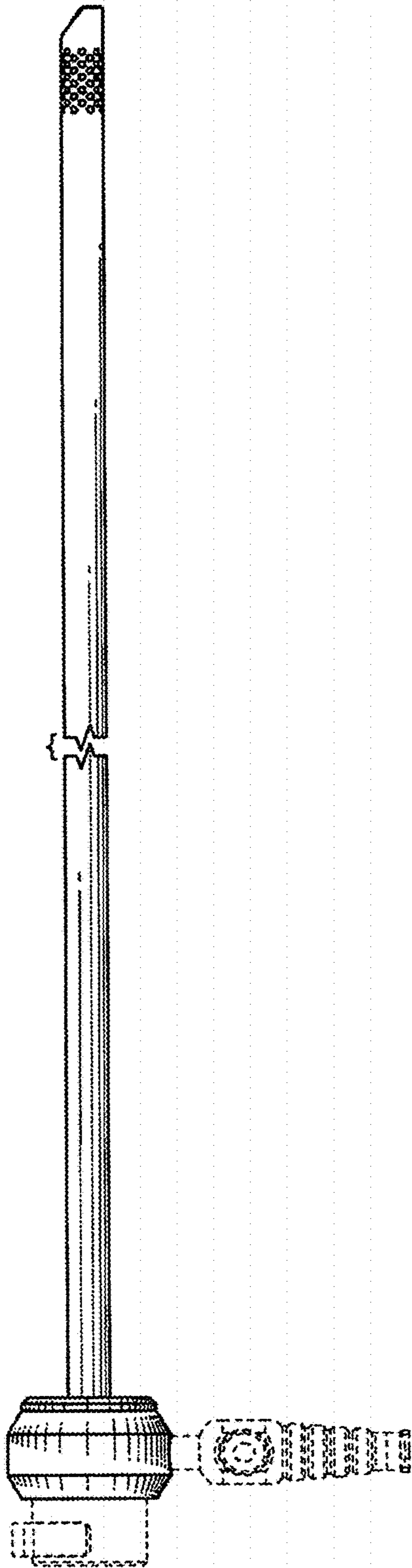


FIG. 5

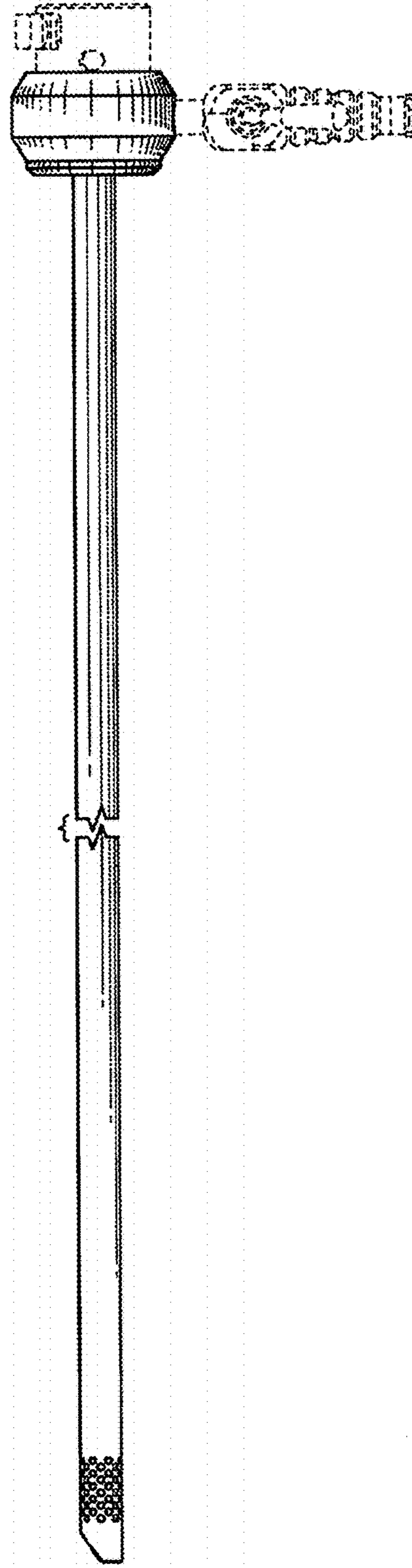


FIG. 6

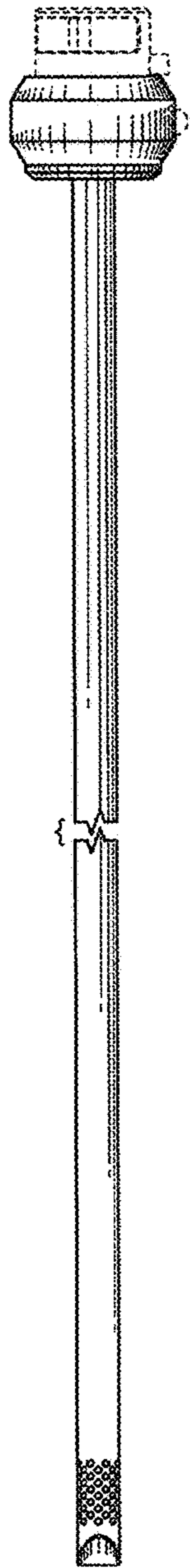


FIG. 7

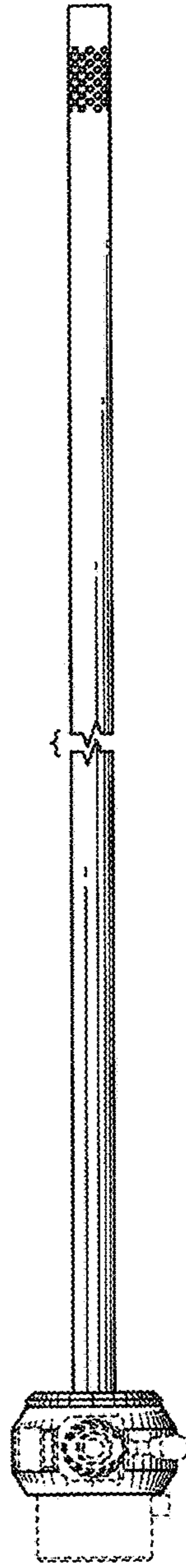


FIG. 8