



US00D782025S

(12) **United States Design Patent**
Pickett

(10) **Patent No.:** **US D782,025 S**
(45) **Date of Patent:** **** Mar. 21, 2017**

(54) **COMBINED CEILING FAN HOUSING AND LIGHT KIT**

(71) Applicant: **YOUNGO LIMITED**, Hong Kong (CN)

(72) Inventor: **Mark Pickett**, Altadena, CA (US)

(73) Assignee: **YOUNGO LIMITED**, Central (HK)

(**) Term: **15 Years**

(21) Appl. No.: **29/537,354**

(22) Filed: **Aug. 25, 2015**

(51) **LOC (10) Cl.** **23-04**

(52) **U.S. Cl.**
USPC **D23/411**; D23/377; D26/59

(58) **Field of Classification Search**
USPC D23/370-387, 411-414, 365, 355, 342, D23/332, 328, 337, 335, 314, 393; 415/60, 66, 68, 208.1, 213.1, 214.1, 415/209.3; 310/257; 361/695; 126/299 D, 299 R; D26/59, 89
CPC F01D 9/042; F04D 25/08; F04D 29/70; F04D 29/34; F04D 19/00; F24F 7/007; F24F 13/082; F24F 7/065; F24F 13/078
See application file for complete search history.

(56) **References Cited**

U.S. PATENT DOCUMENTS

D678,499 S * 3/2013 Pan D23/411
D690,410 S * 9/2013 Passauer, III D23/411

D704,822 S * 5/2014 Wang D23/411
D705,970 S * 5/2014 Ertze D26/59
D706,410 S * 6/2014 Pan D23/411
D706,920 S * 6/2014 Cohen D23/411
D743,527 S * 11/2015 Wang D23/411
D759,799 S * 6/2016 Wang D23/385
D760,369 S * 6/2016 Ertze D23/385
2008/0089791 A1 * 4/2008 Cartwright F04D 29/646
416/244 R

* cited by examiner

Primary Examiner — Susan Bennett Hattan

Assistant Examiner — Janice Hallmark

(74) *Attorney, Agent, or Firm* — Muncy, Geissler, Olds & Lowe, P.C.

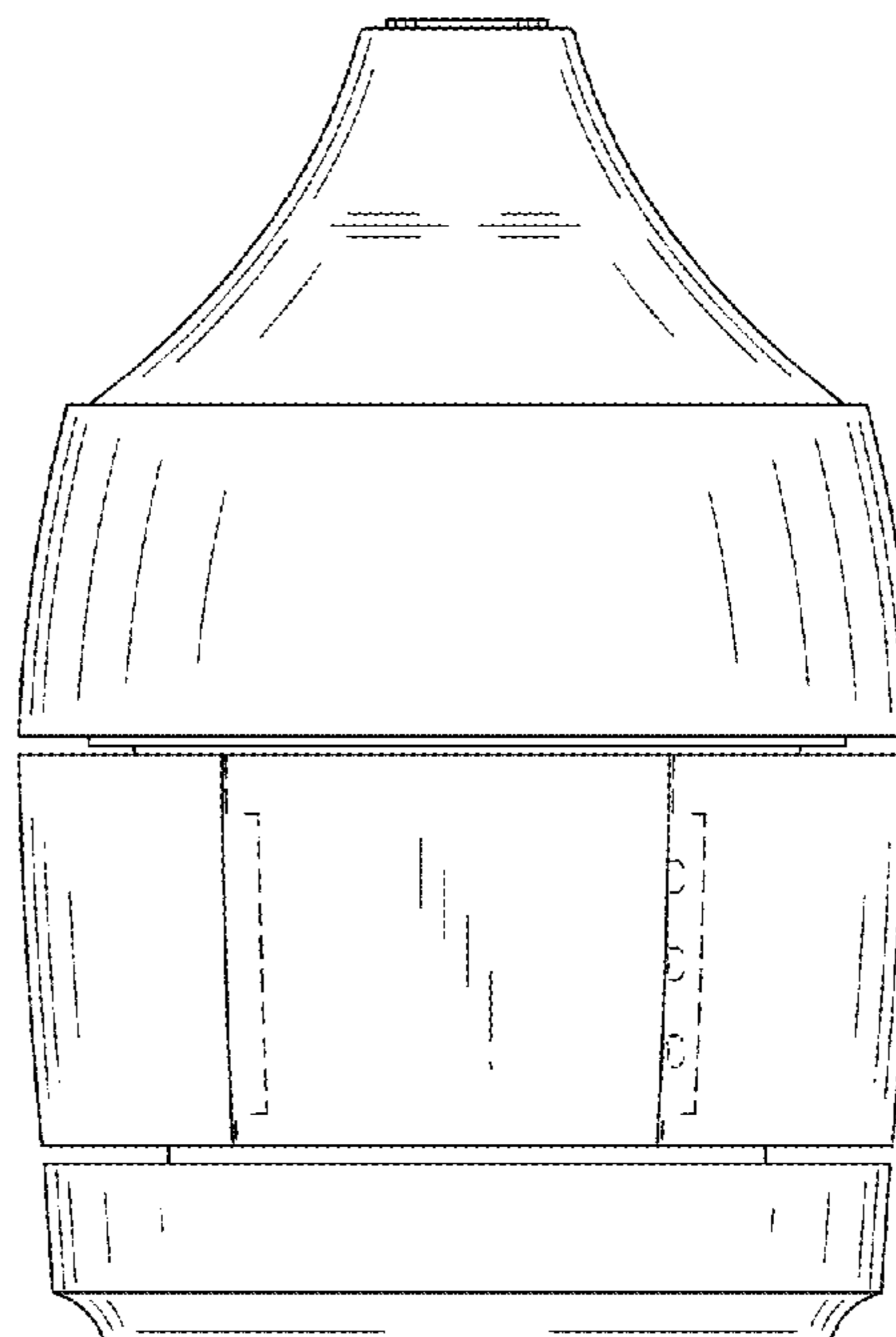
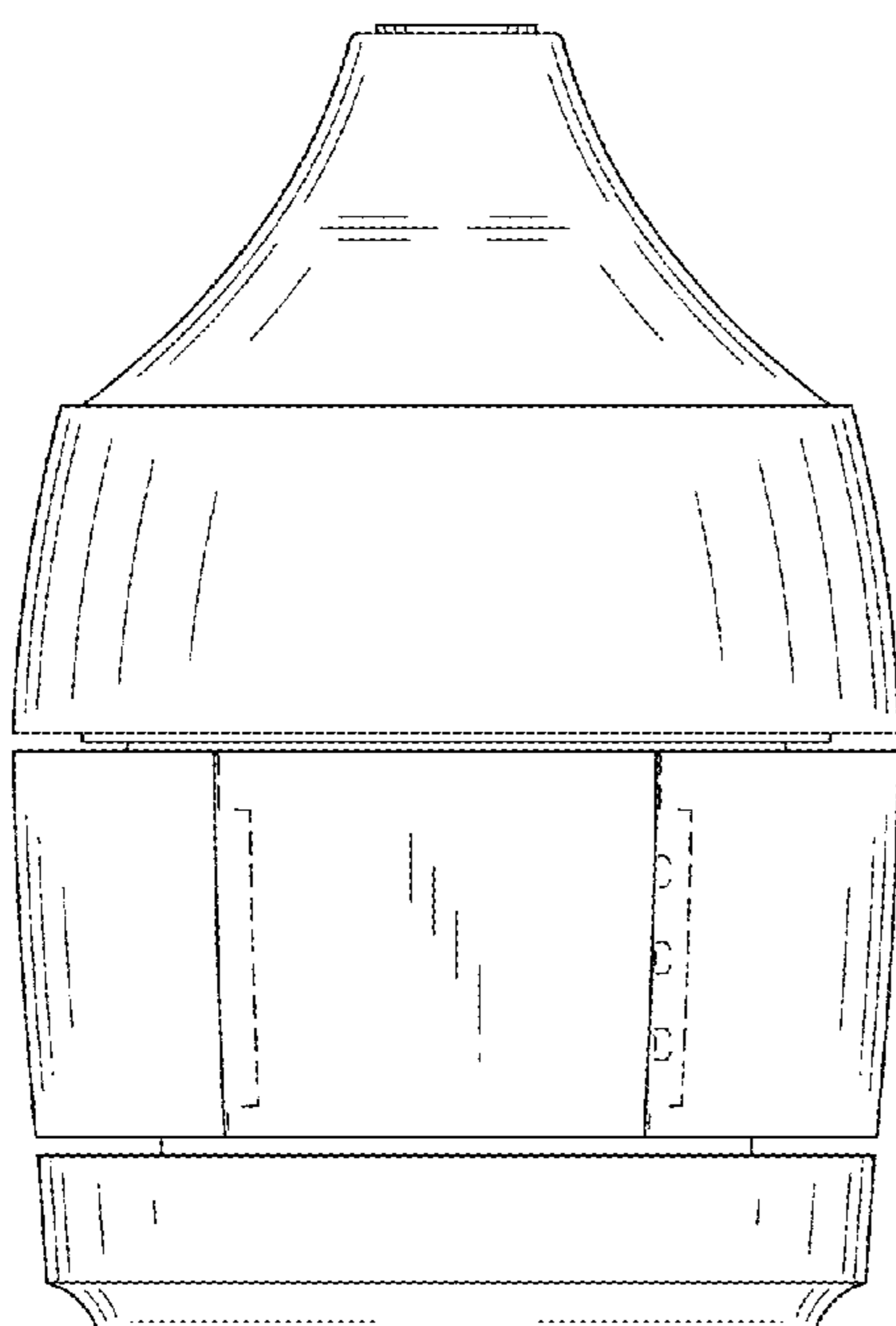
(57) **CLAIM**

The ornamental design for a combined ceiling fan housing and light kit, as shown and described.

DESCRIPTION

FIG. 1 is a perspective view of the present design; FIG. 2 is a front view of the present design; FIG. 3 is a rear view of the present design; FIG. 4 is a left side view of the present design; FIG. 5 is a right side view of the present design; FIG. 6 is a top view of the present design; FIG. 7 is a bottom view of the present design; and, FIG. 8 is another perspective view of the present design. The broken lines in the drawings depict parts of the combined ceiling fan housing and light kit that form no part of the claimed design.

1 Claim, 7 Drawing Sheets



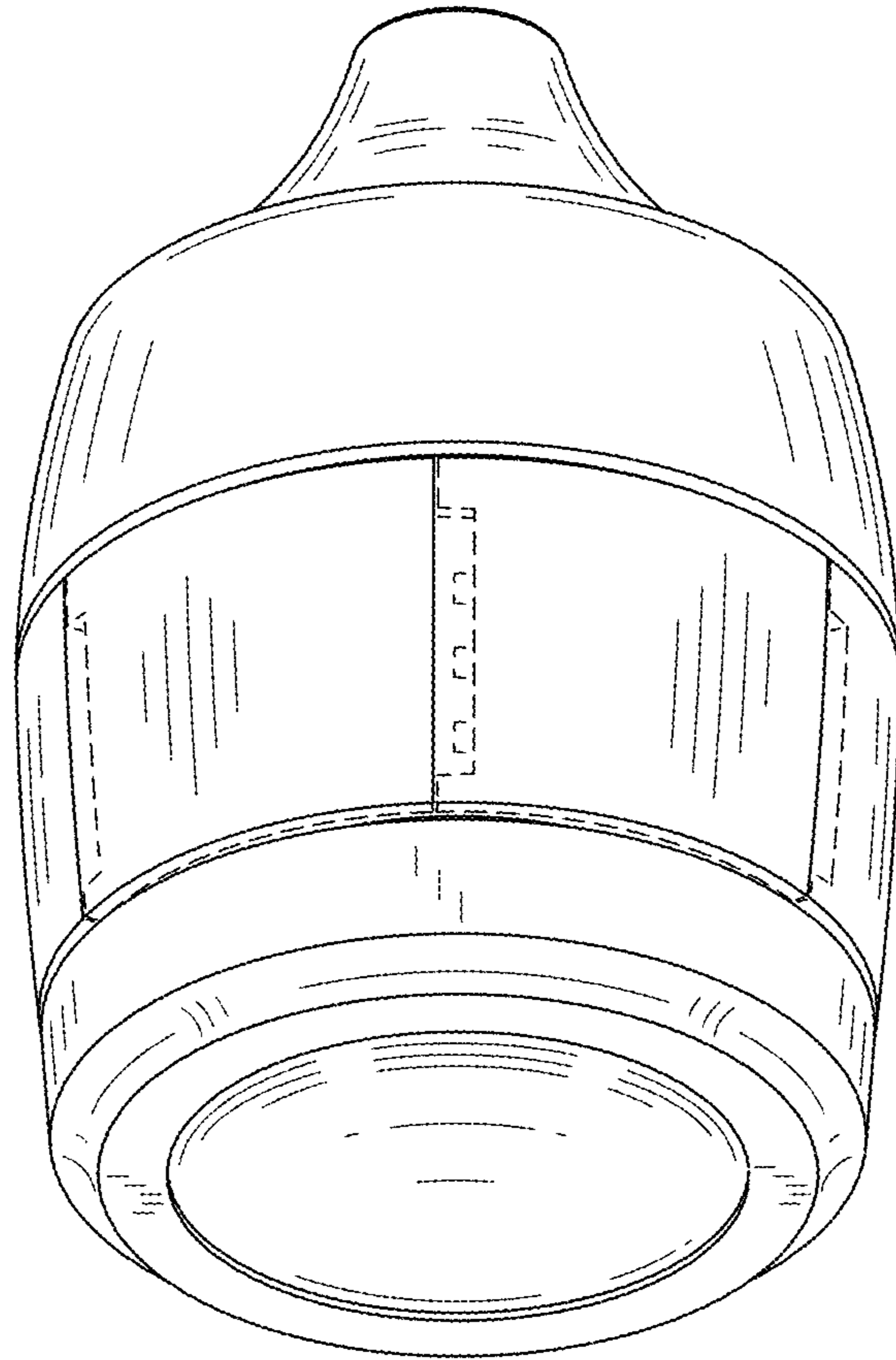


FIG. 1

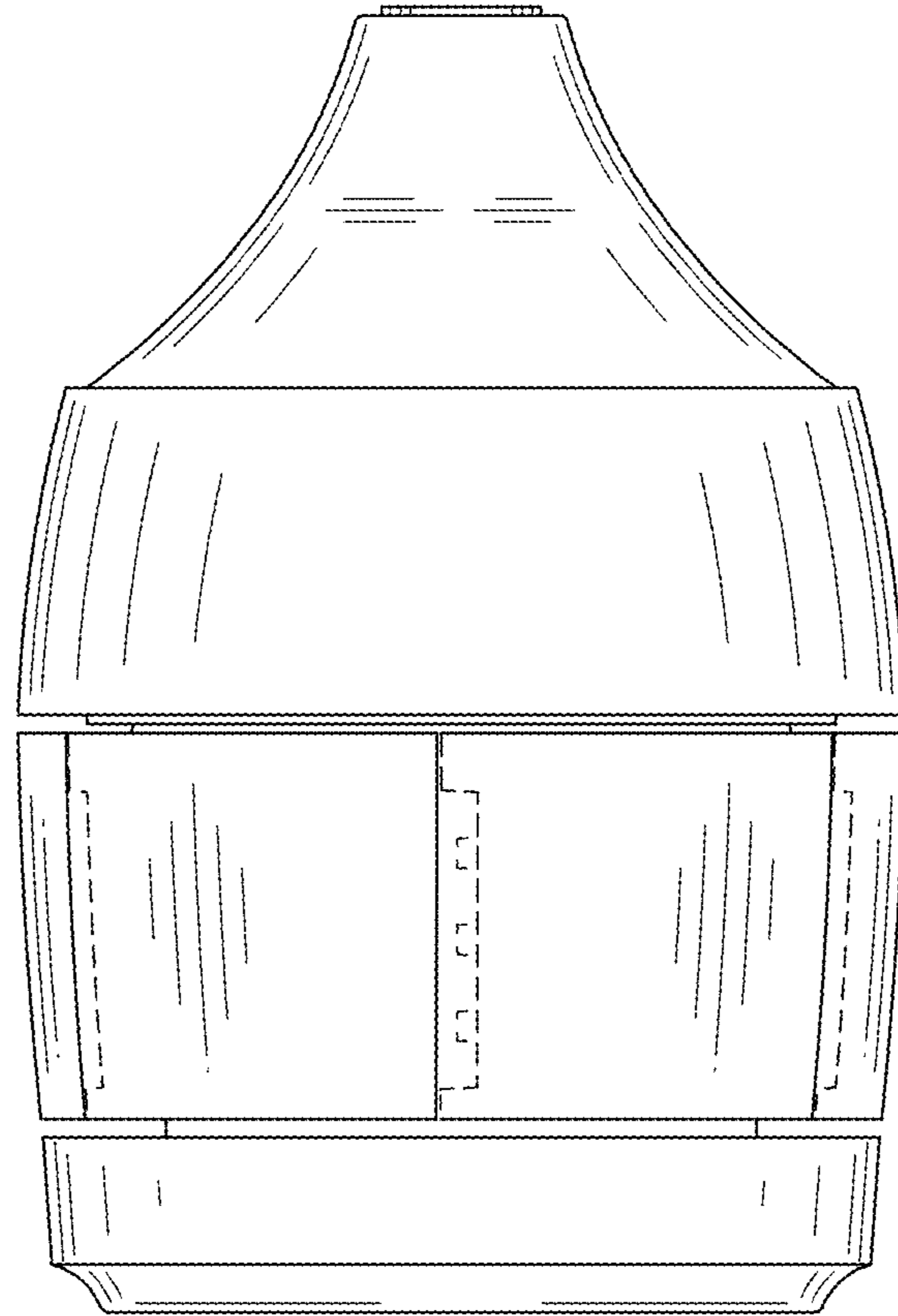


FIG. 2

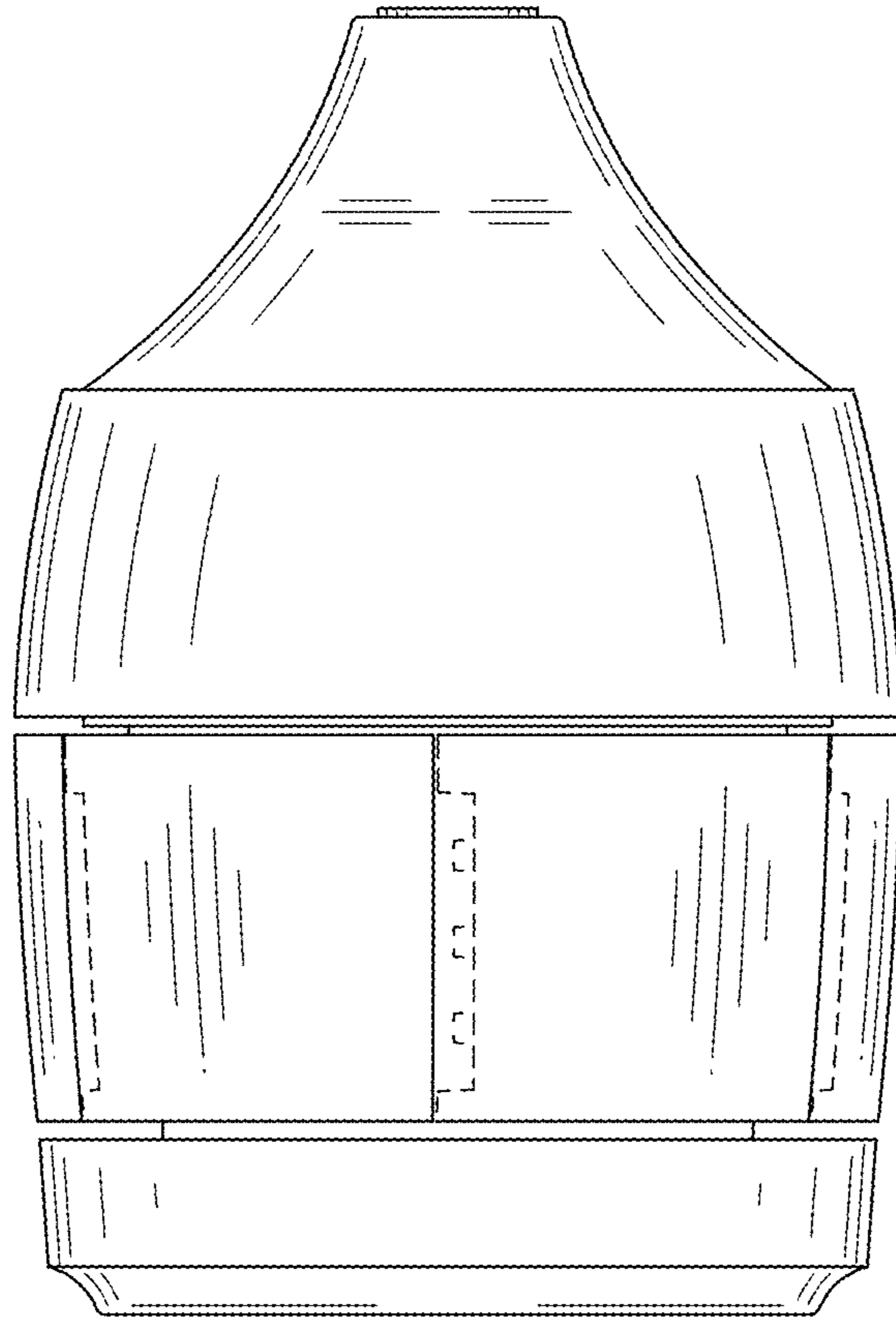


FIG. 3

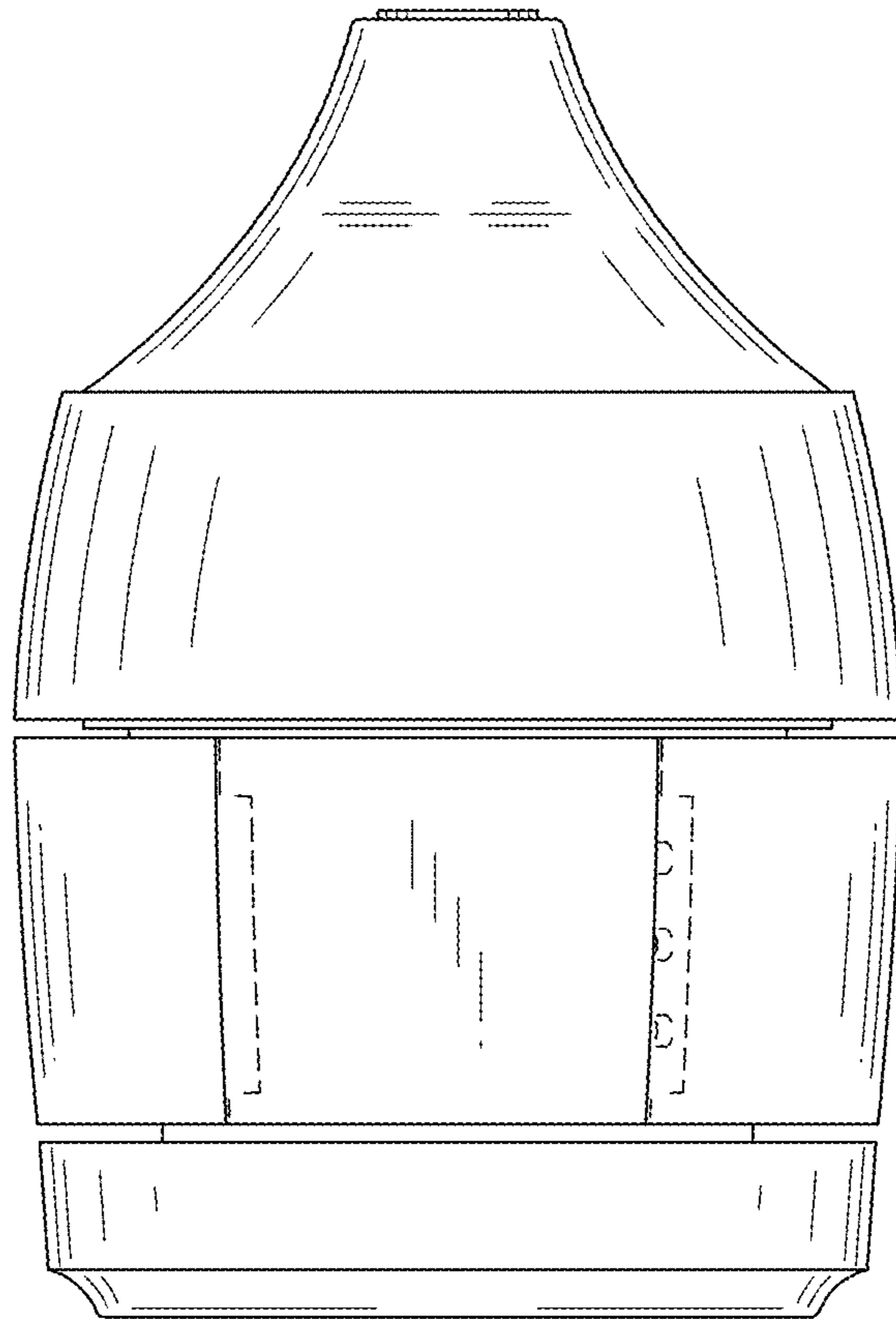


FIG. 4

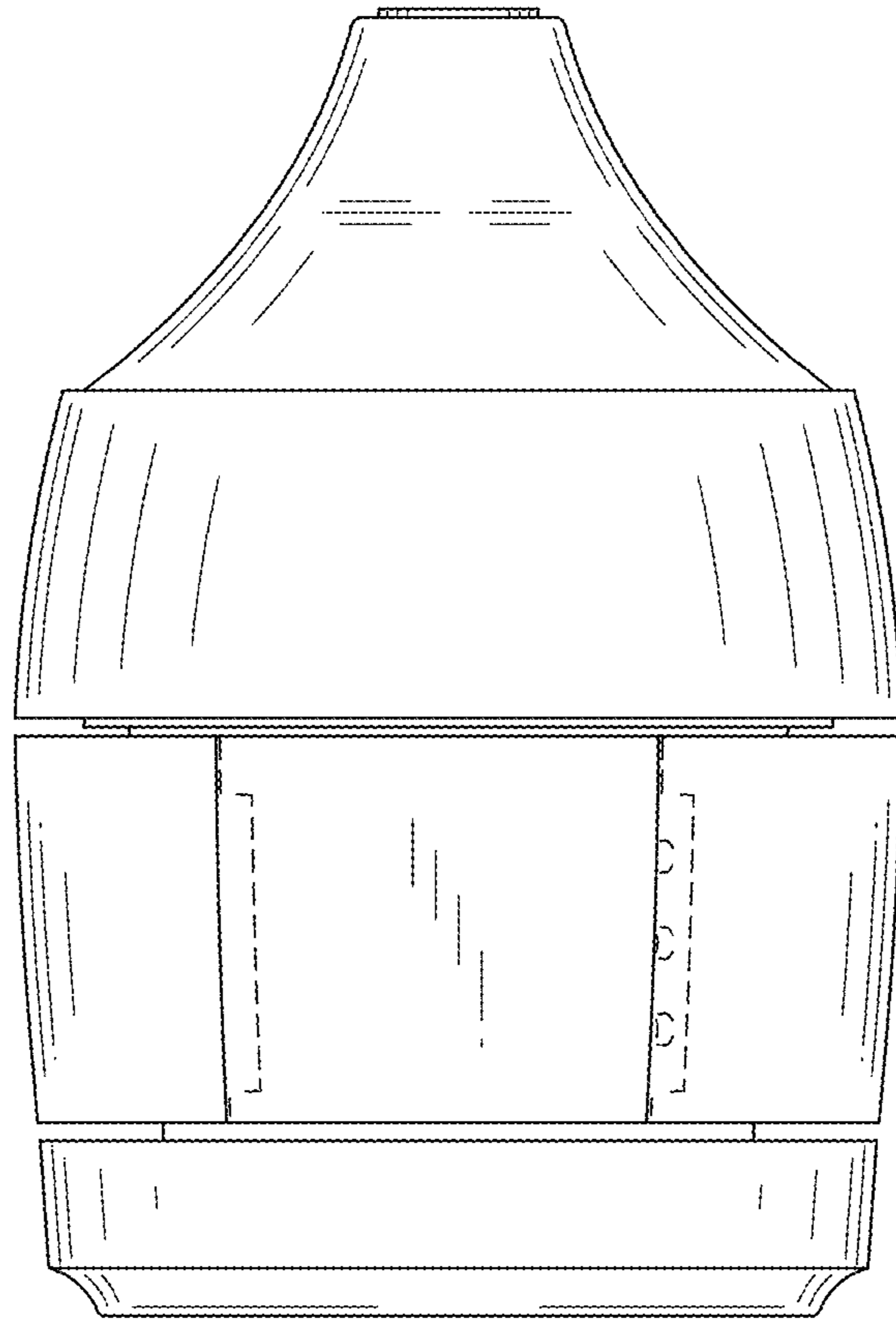


FIG. 5

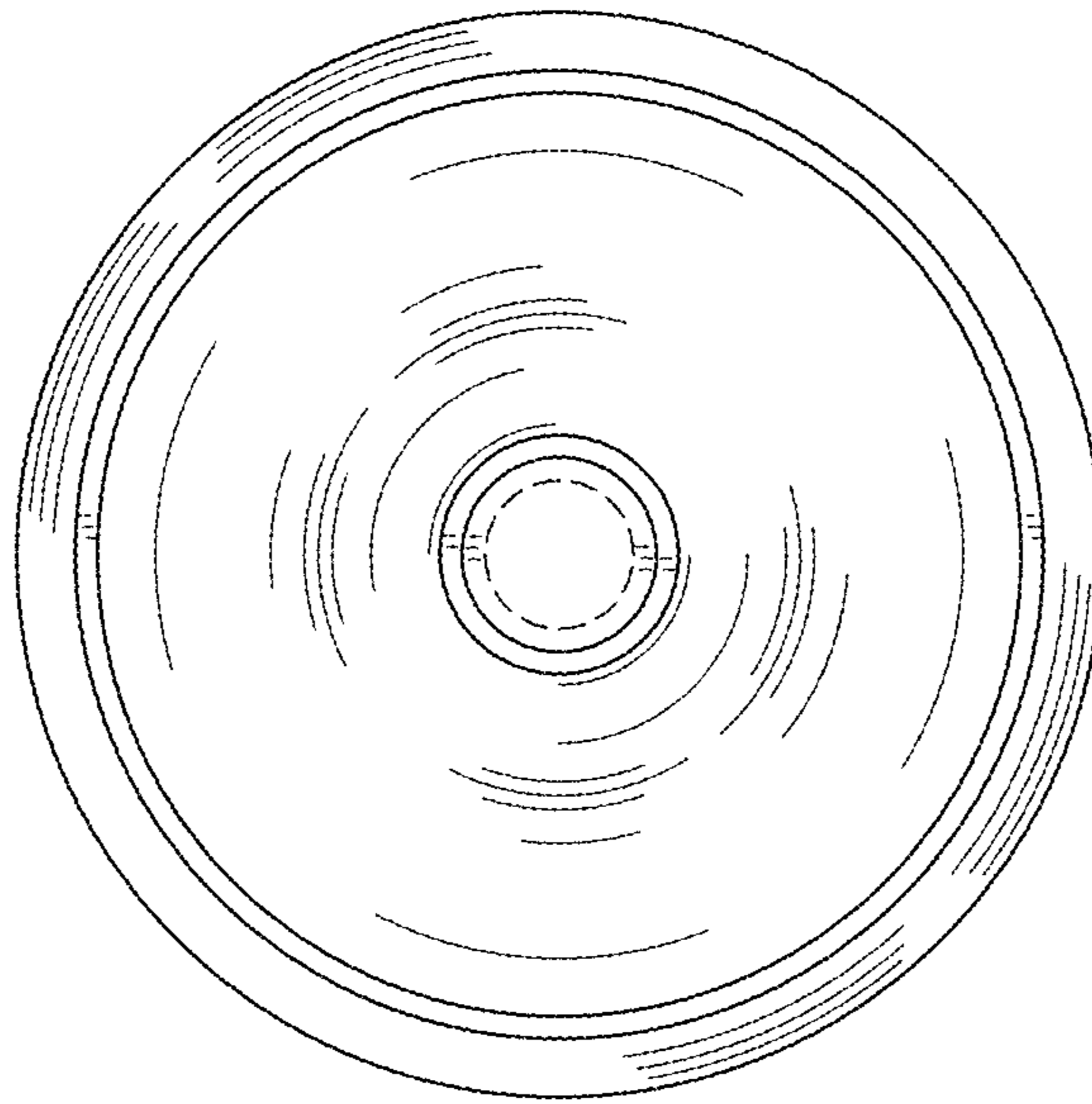


FIG. 6

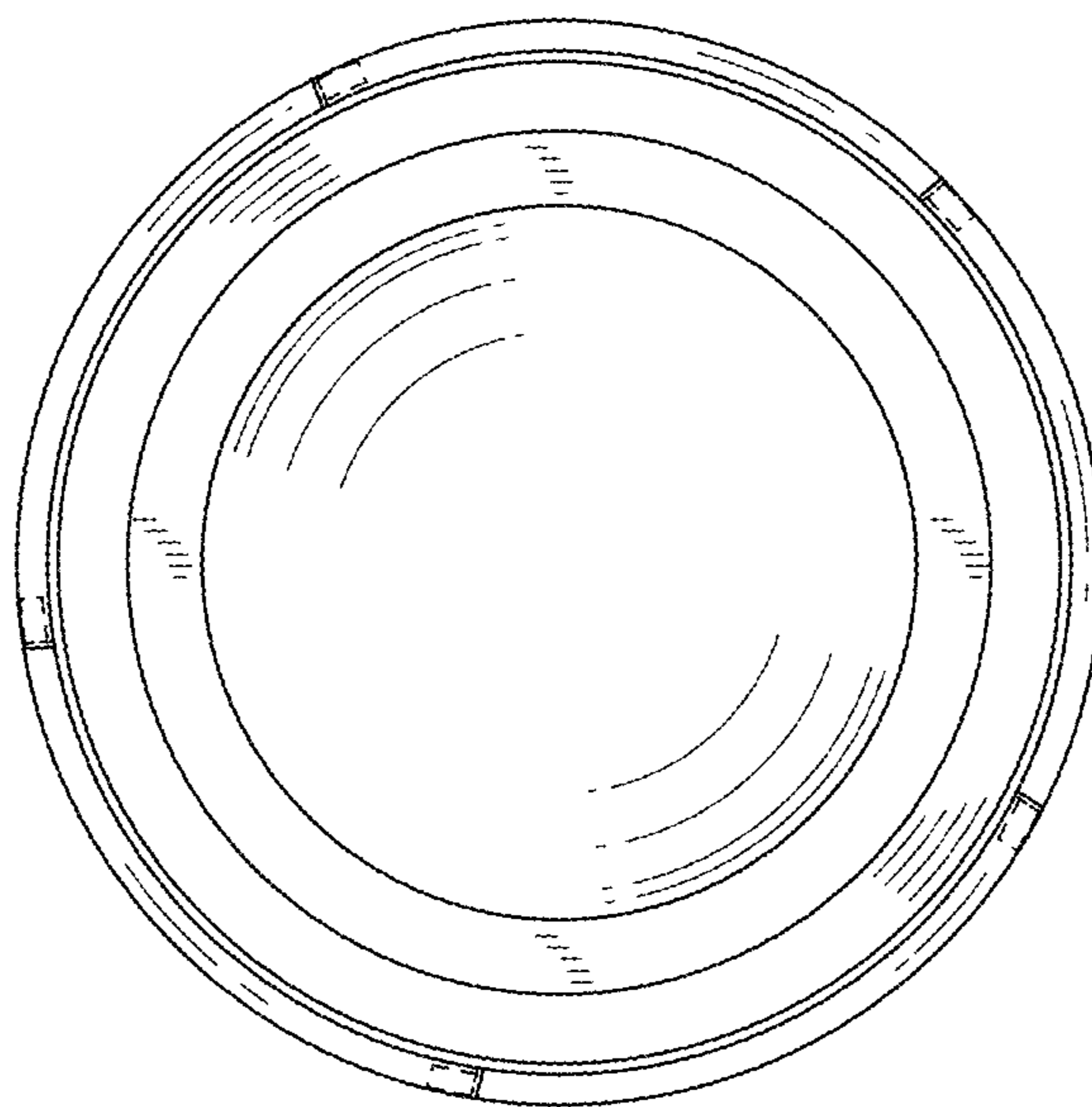


FIG. 7

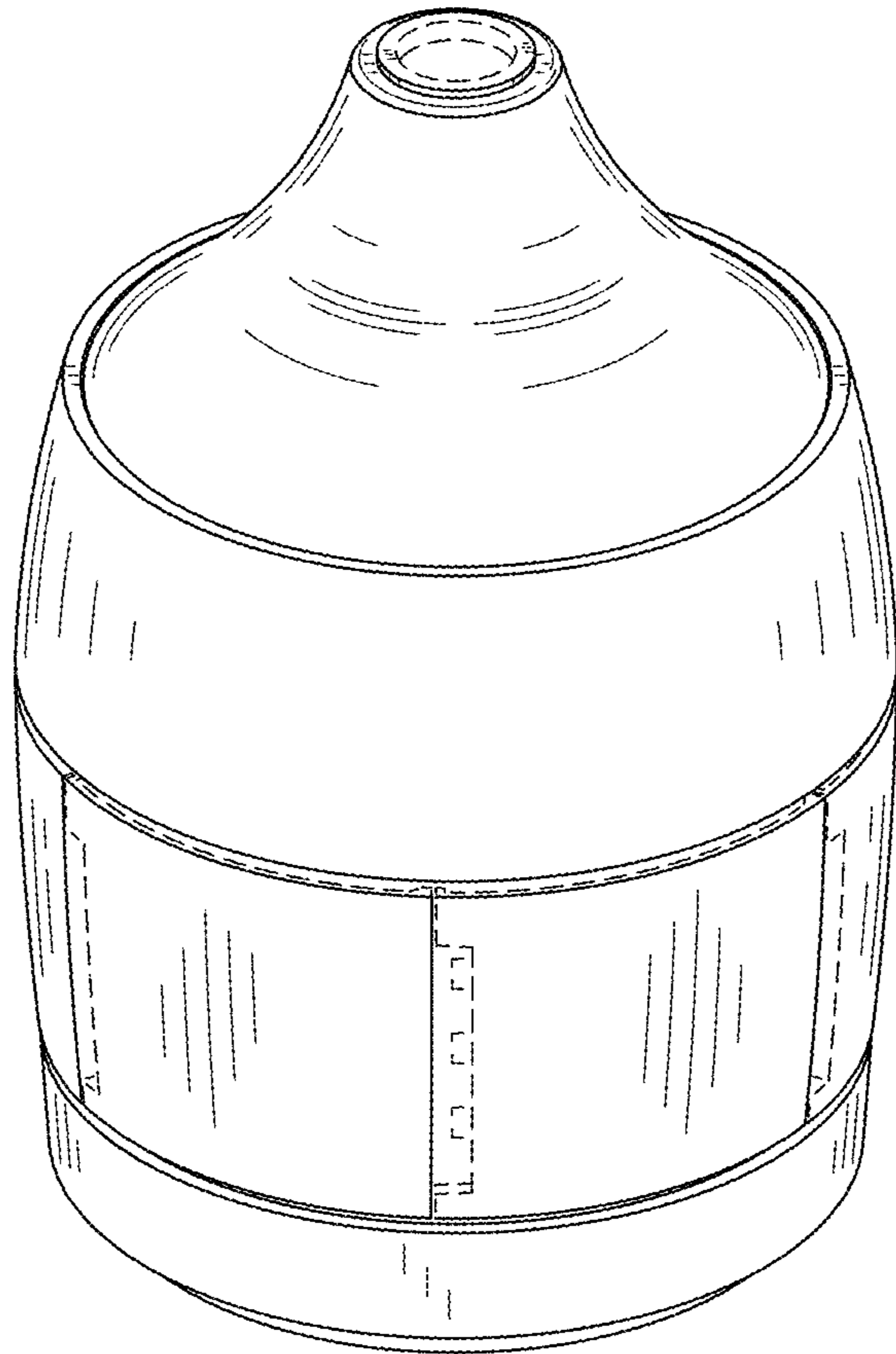


FIG. 8