



US00D782022S

(12) **United States Design Patent**
Tejeda et al.

(10) **Patent No.:** **US D782,022 S**
(45) **Date of Patent:** **** Mar. 21, 2017**

- (54) **AIR MOVER**
- (71) Applicant: **Technologies Holdings Corp.**, Houston, TX (US)
- (72) Inventors: **Marco A. Tejeda**, Mount Horeb, WI (US); **Michael J. Steffes**, Poynette, WI (US); **James A. Scharping, Jr.**, Madison, WI (US); **Richard G. Giallombardo**, Cottage Grove, WI (US); **Jared M. Stearns**, Madison, WI (US)
- (73) Assignee: **Technologies Holdings Corp.**, Houston, TX (US)

- D596,284 S * 7/2009 Ediger D23/411
- D619,698 S 7/2010 Emenheiser et al.
- D733,981 S * 7/2015 Sechere D32/8
- D761,950 S * 7/2016 Kulp D23/383
- 2007/0157485 A1* 7/2007 Andrisin, III G09F 7/00
34/201
- 2013/0247409 A1 9/2013 Black et al.
- 2013/0280108 A1 10/2013 Bearup et al.

- (**) Term: **14 Years**
- (21) Appl. No.: **29/526,434**
- (22) Filed: **May 8, 2015**

- (51) **LOC (10) Cl.** **23-04**
- (52) **U.S. Cl.**
USPC **D23/383**
- (58) **Field of Classification Search**
USPC D23/370-387, 411-414, 365, 355, 342,
D23/332, 328, 337, 335, 314, 393;
415/60, 66, 68, 208.1, 213.1, 214.1,
415/209.3; 310/257; 361/695;
126/299 D, 299 R; D32/8, 15; 416/210 R
CPC F01D 9/042; F04D 25/08; F04D 29/70;
F04D 29/34; F04D 19/00; F24F 7/007;
F24F 13/082; F24F 7/065; F24F 13/078
See application file for complete search history.

(56) **References Cited**
U.S. PATENT DOCUMENTS

- D326,511 S * 5/1992 Chiang D23/328
- D359,550 S * 6/1995 Chan D23/324

OTHER PUBLICATIONS

- Dri-Eaz Products/Velo Pro Airmover; 2 pages; http://drieaz.com/_DEC/DEC_Product_Base.aspx?decID=2105, printed May 6, 2015.
- Prochem Karcher Group; <http://www.prochem.com/ViewCategories.aspx?Pid=1313>; 2 pages, printed May 6, 2015.

(Continued)

Primary Examiner — Susan Bennett Hattan
Assistant Examiner — Janice Hallmark
(74) *Attorney, Agent, or Firm* — Baker Botts L.L.P.

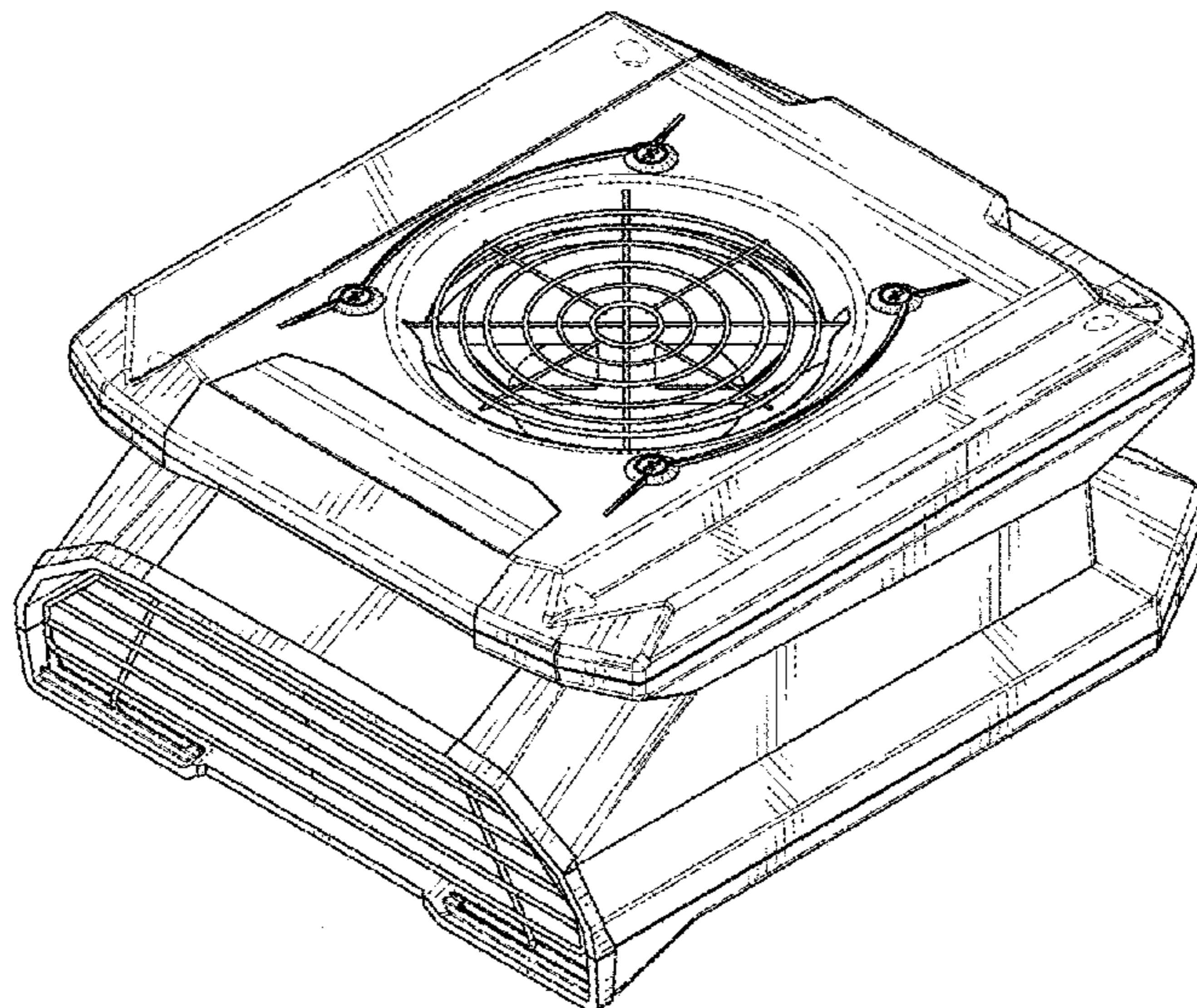
(57) **CLAIM**

The ornamental design for an air mover, as shown and described.

DESCRIPTION

FIG. 1 is a perspective view of an air mover;
FIG. 2 is a front view of an air mover;
FIG. 3 is a back view of an air mover;
FIG. 4 is a left view of an air mover;
FIG. 5 is a right view of an air mover;
FIG. 6 is a top view of an air mover; and,
FIG. 7 is a bottom view of an air mover.
The broken lines in the drawings depict parts of the air mover that form no part of the claimed design.

1 Claim, 5 Drawing Sheets



(56)

References Cited

OTHER PUBLICATIONS

Tornado Industries, Inc.; Windshear Storm; tornadovac.com/store/product.aspx?pid=263; 2 pages, printed May 6, 2015.

Mechatronics; AC Motorized Impellers; <http://mechatronics.com/products/ac-motorized-impellers.php>; 2 pages, printed May 6, 2015.

Mechatronics; Motorized Impellers; <http://mechatronics.com/engineering/motorized-impellers.php>; 2 pages, printed May 6, 2015.

Ecofit—BP; Data sheet; 2RREu15 192x40R P/N C45-A5; 1 page; <http://www.rosenbergusa.com/FS/products/84/C45-A5-gb.pdf>, printed May 6, 2015.

* cited by examiner

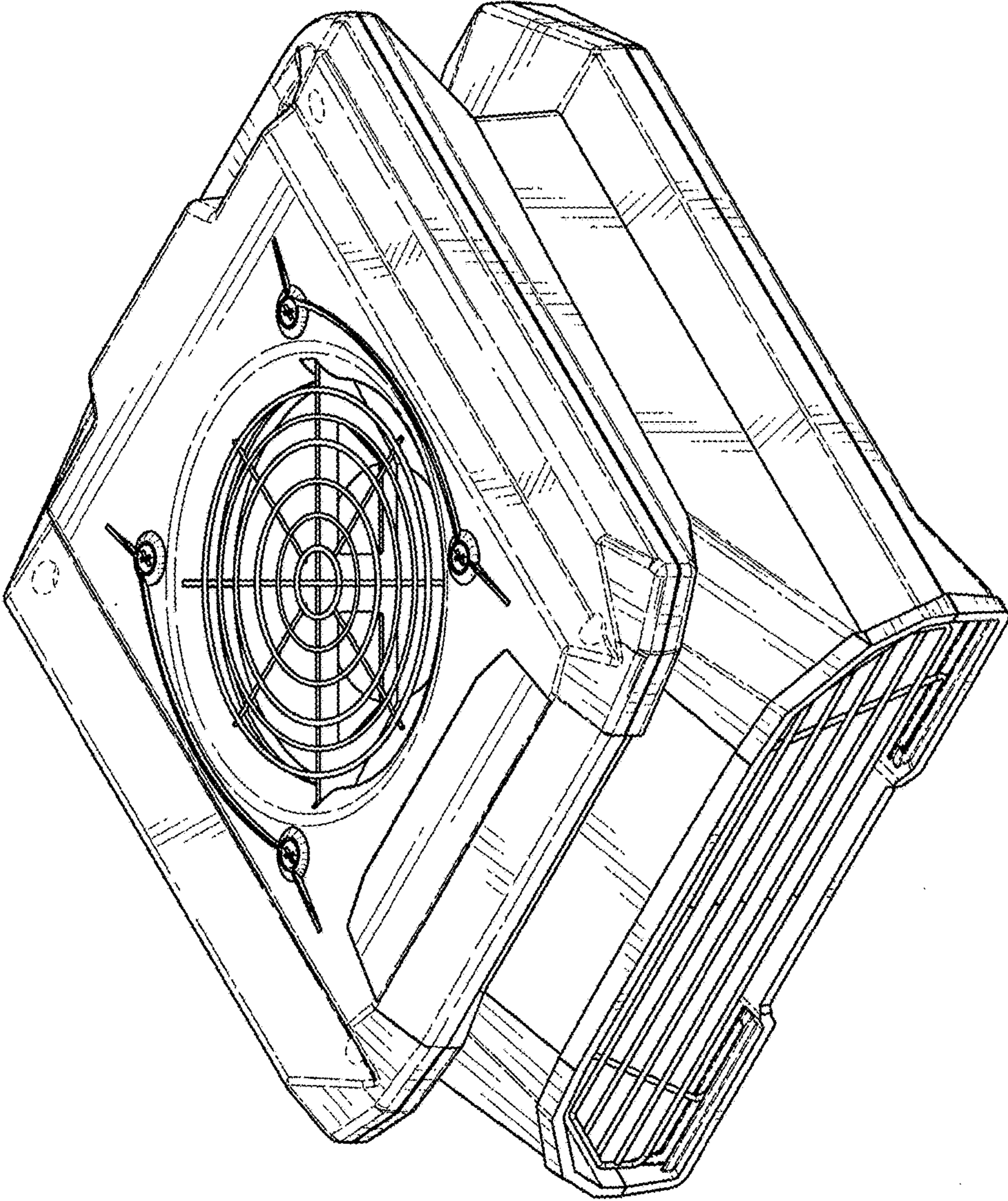


FIG. 1

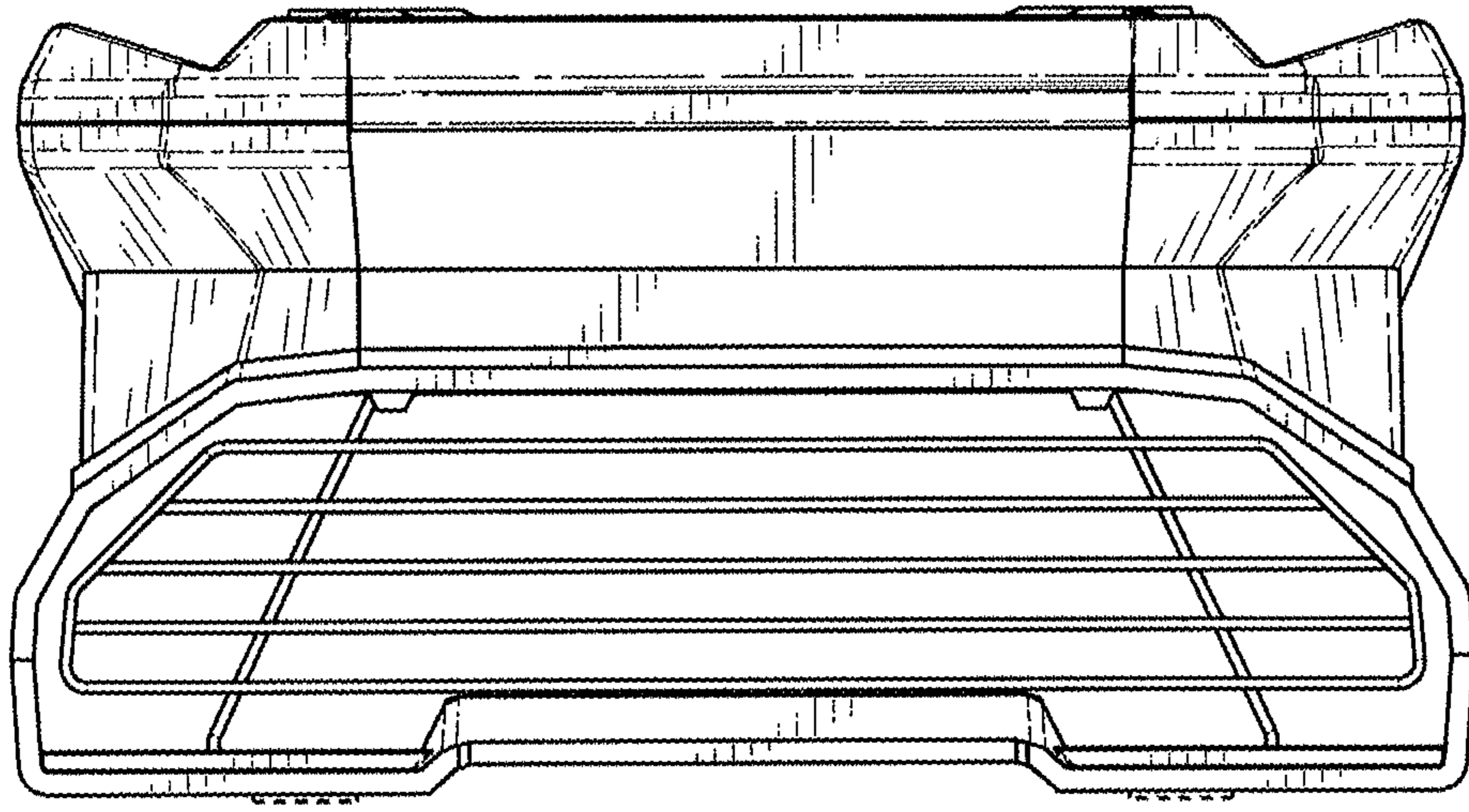


FIG. 2

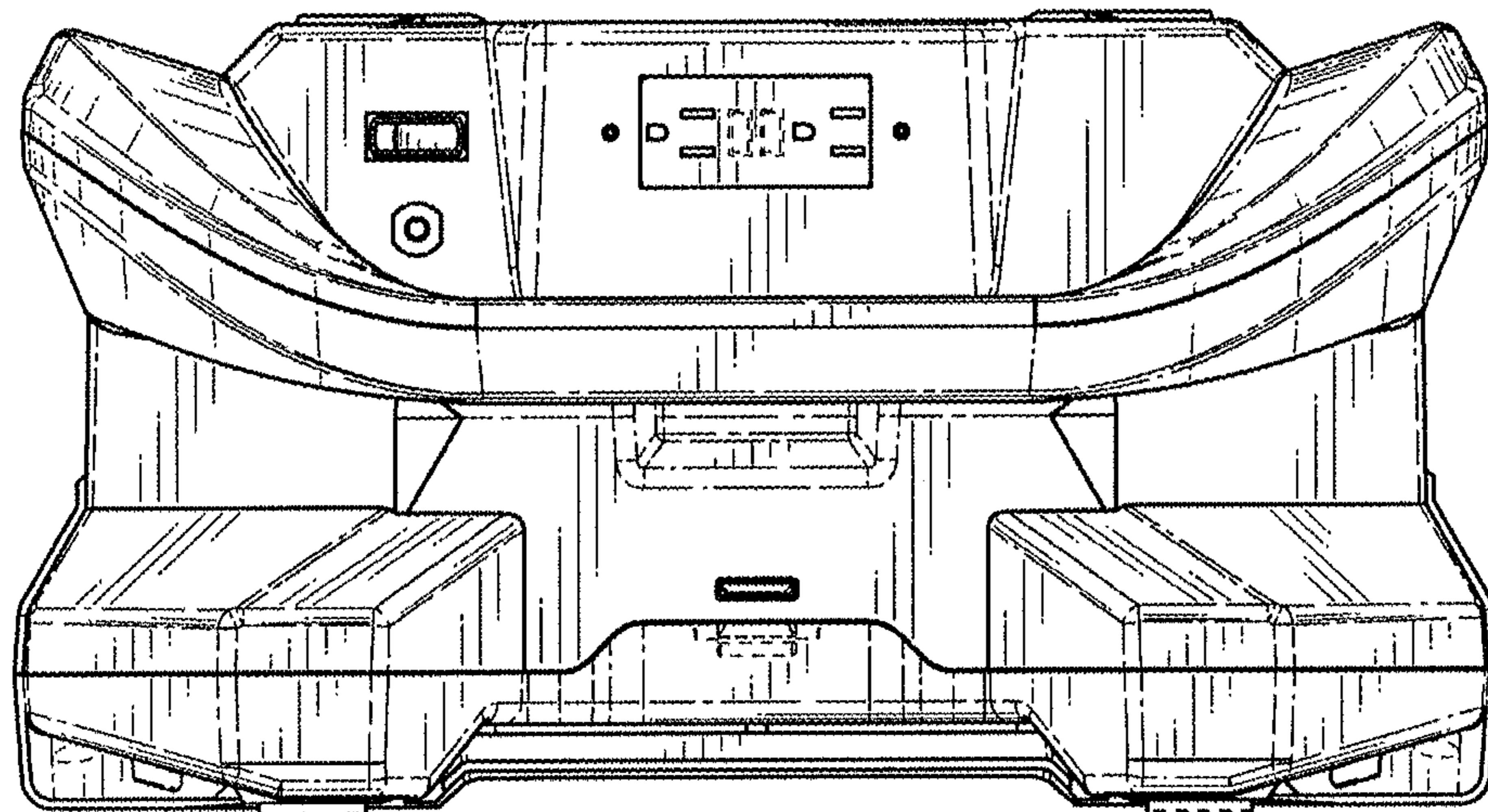


FIG. 3

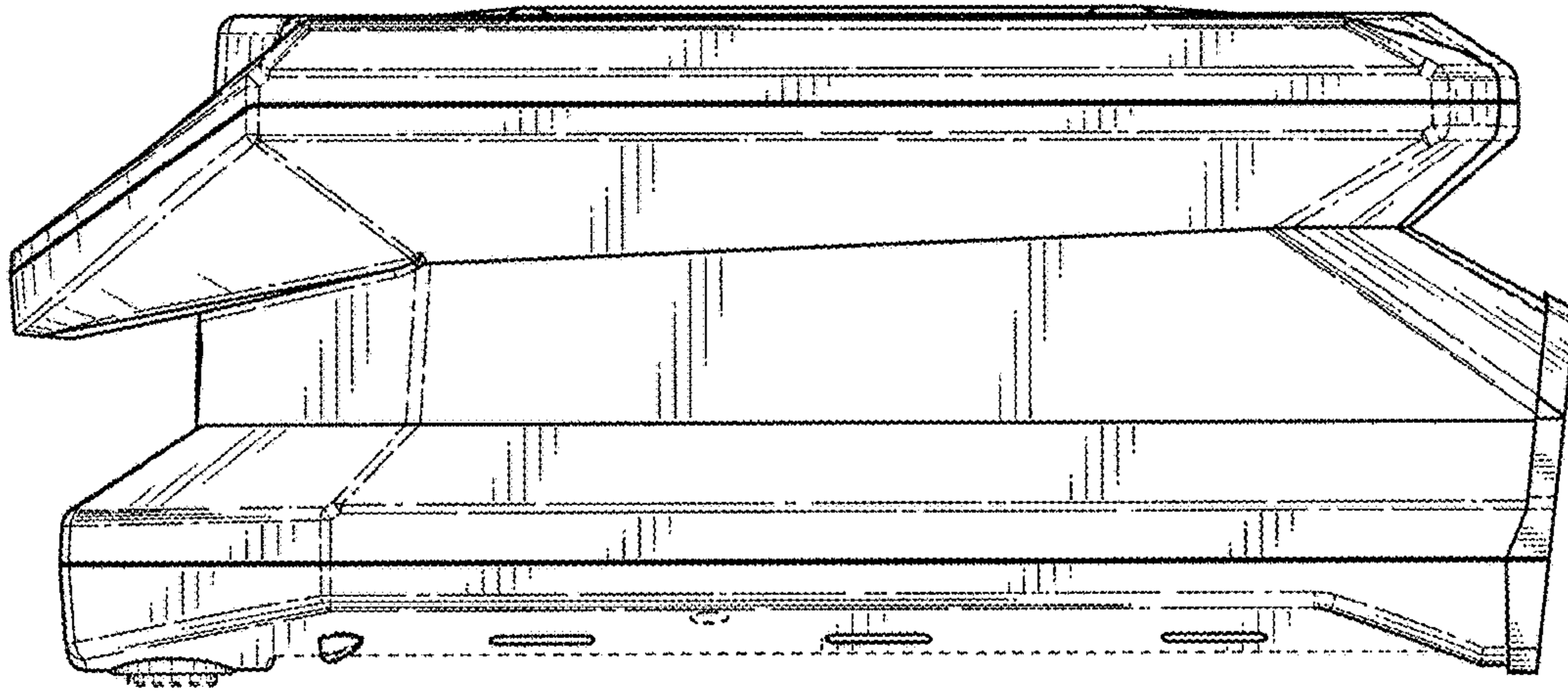


FIG. 4

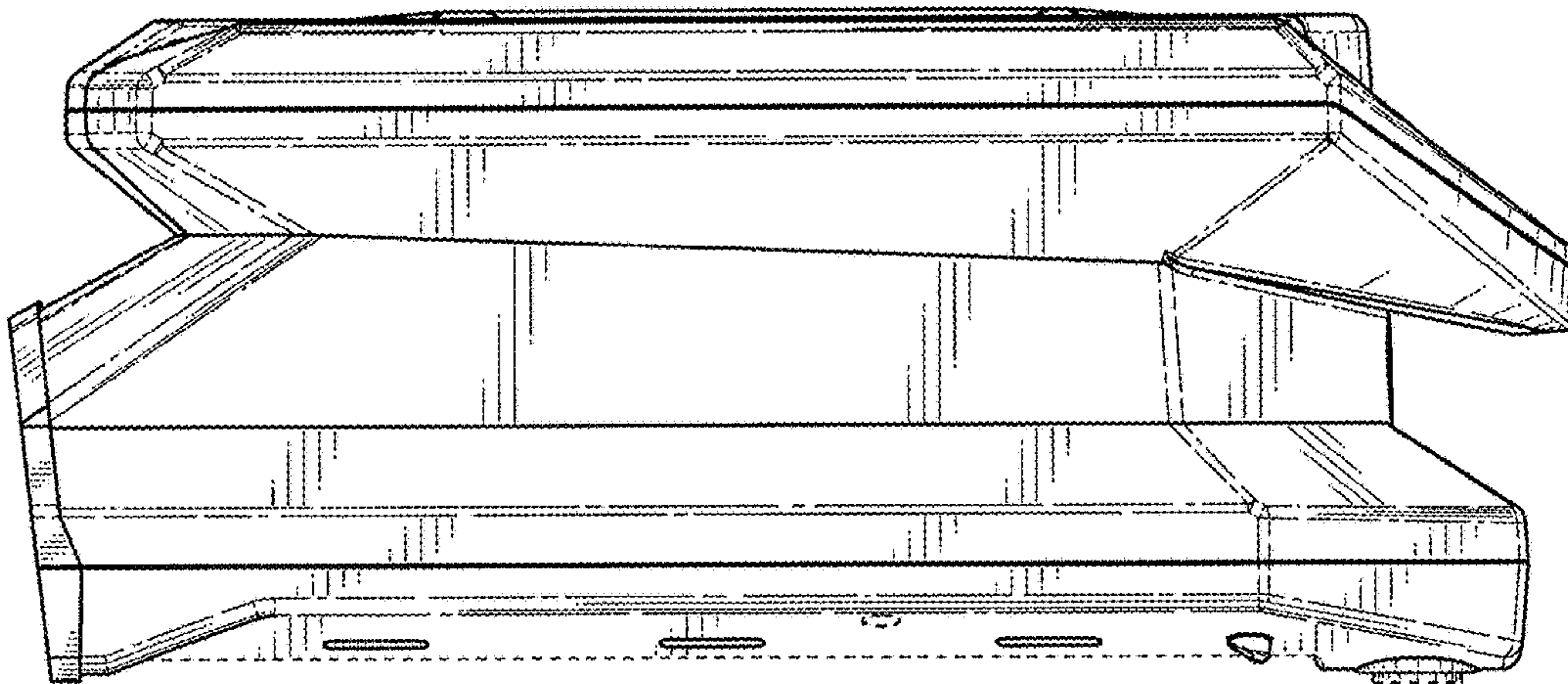


FIG. 5

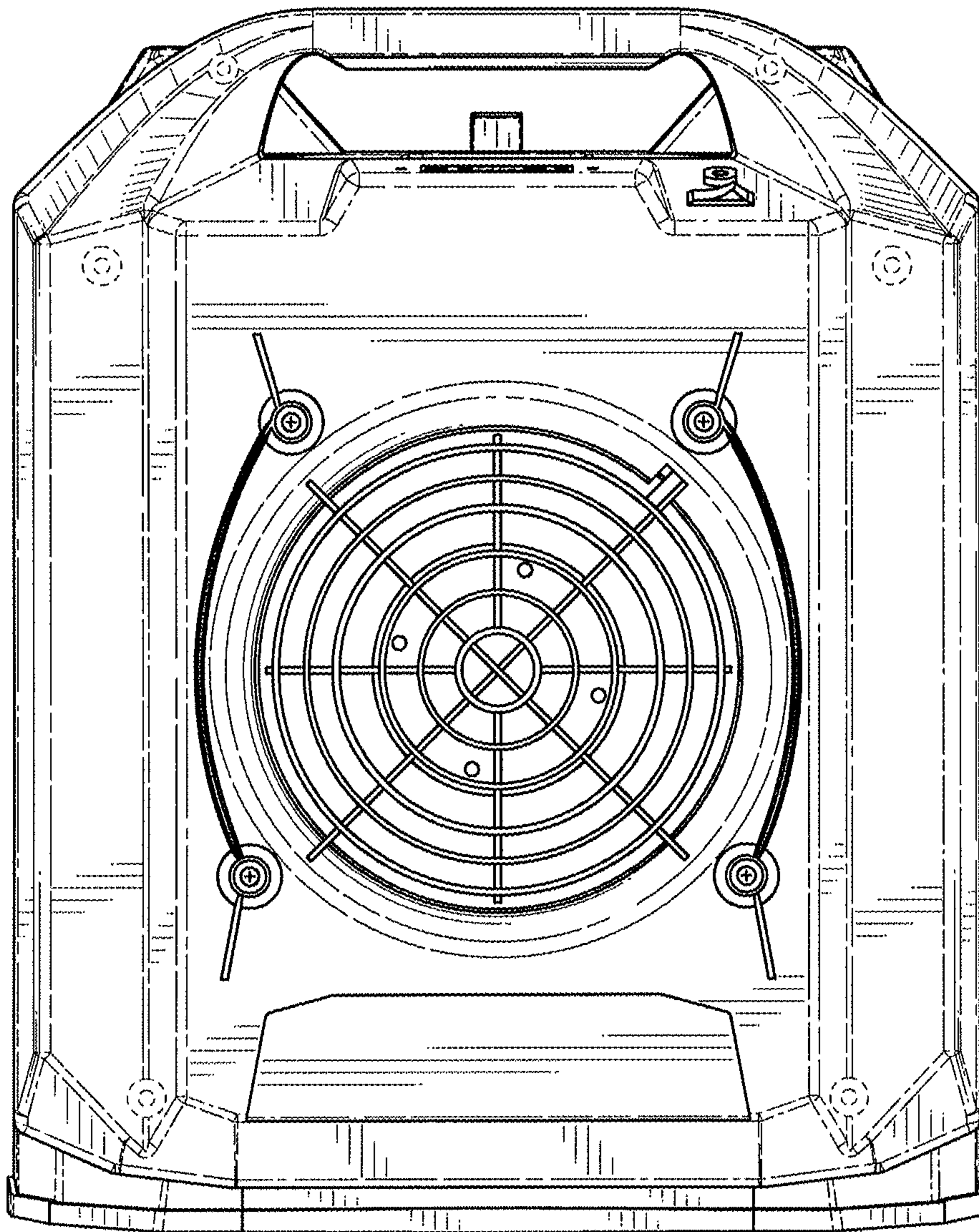


FIG. 6

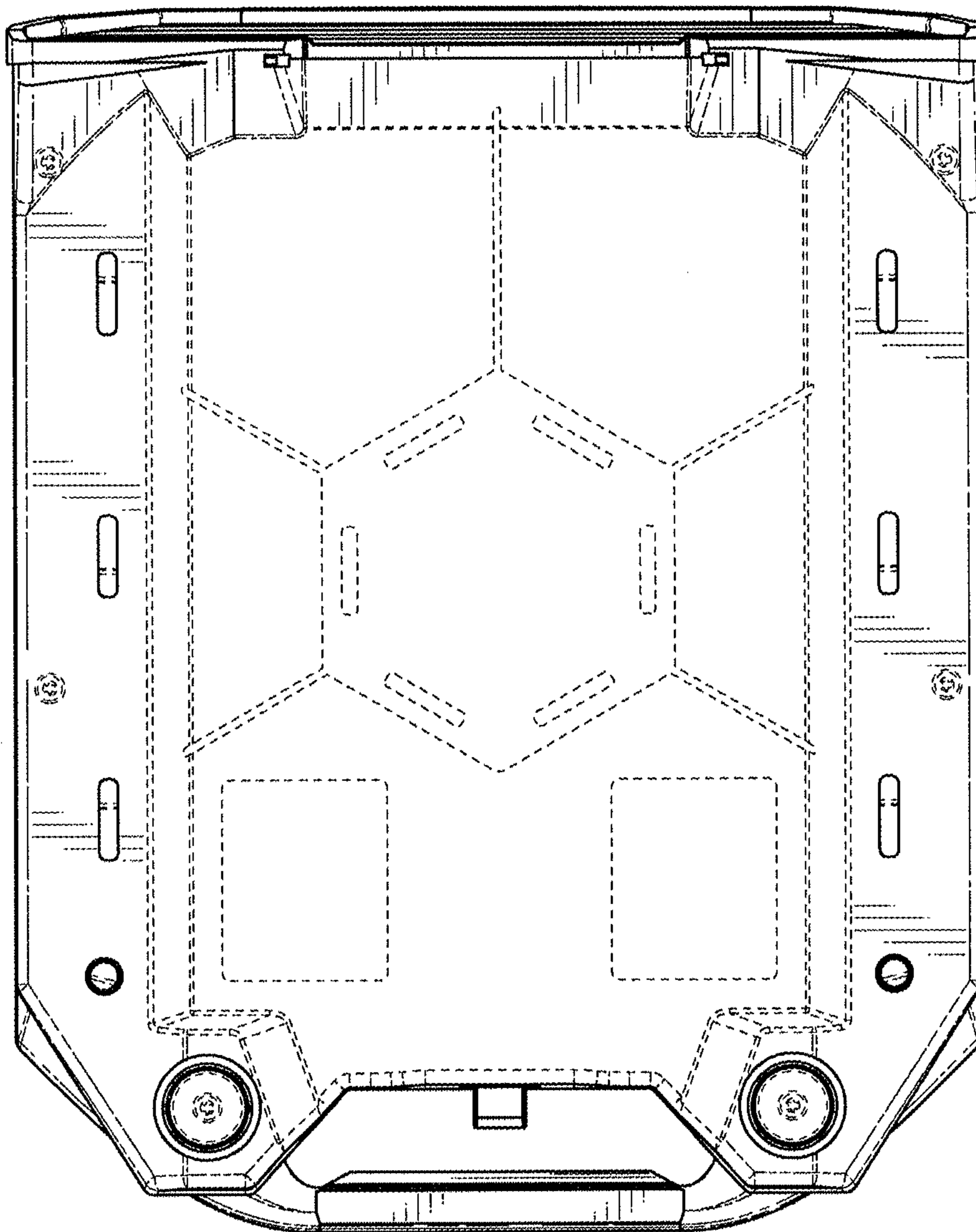


FIG. 7