



US00D782021S

(12) **United States Design Patent** (10) **Patent No.:** **US D782,021 S**  
**Poulton et al.** (45) **Date of Patent:** **\*\* Mar. 21, 2017**

(54) **FAN**  
(71) Applicant: **Dyson Technology Limited**, Wiltshire (GB)  
(72) Inventors: **Roy Edward Poulton**, Swindon (GB); **Ben Thomas Edmonds**, Swindon (GB); **George Oram**, Gloucester (GB); **Thomas Douglas Ridley**, Bristol (GB); **Leanne Joyce Garner**, Bristol (GB); **Adam James Bates**, Oxford (GB); **Peter David Gammack**, Swindon (GB); **William Richard Hunt**, Bristol (GB); **Richard John Fox**, Bristol (GB)

D614,280 S \* 4/2010 Dyson ..... D23/370  
D672,024 S \* 12/2012 Fitton ..... D23/370  
D678,993 S \* 3/2013 Kung-Hua ..... D23/370  
D681,793 S \* 5/2013 Li ..... D23/370  
D729,373 S \* 5/2015 Dos Reis ..... D23/370  
D729,374 S \* 5/2015 Dos Reis ..... D23/370  
D729,375 S \* 5/2015 Dos Reis ..... D23/370  
D746,425 S \* 12/2015 Dyson ..... D23/356  
D746,966 S \* 1/2016 Dyson ..... D23/356  
D747,450 S \* 1/2016 Dyson ..... D23/356  
D768,280 S \* 10/2016 Peet ..... D23/370  
D768,840 S \* 10/2016 Peet ..... D23/370  
D768,841 S \* 10/2016 Peet ..... D23/370  
2010/0226754 A1 \* 9/2010 Hutton ..... F24F 7/065  
415/90

(Continued)

(73) Assignee: **Dyson Technology Limited**, Malmesbury, Wiltshire (GB)

*Primary Examiner* — Susan Bennett Hattan

*Assistant Examiner* — Janice Hallmark

(\*\*) Term: **15 Years**

(74) *Attorney, Agent, or Firm* — Morrison & Foerster LLP

(21) Appl. No.: **29/548,341**

(22) Filed: **Dec. 11, 2015**

(57) **CLAIM**

(30) **Foreign Application Priority Data**

We claim the ornamental design for a fan, as shown and described.

Jun. 11, 2015 (EM) ..... 001435770-0005

(51) **LOC (10) Cl.** ..... **23-04**

(52) **U.S. Cl.**  
USPC ..... **D23/370**

**DESCRIPTION**

(58) **Field of Classification Search**  
USPC ..... D23/370, 355, 385, 386, 342, 336, 337, D23/376, 378, 411  
CPC ..... F04D 29/703; F04D 29/403; F04D 3/00; F04D 17/00  
See application file for complete search history.

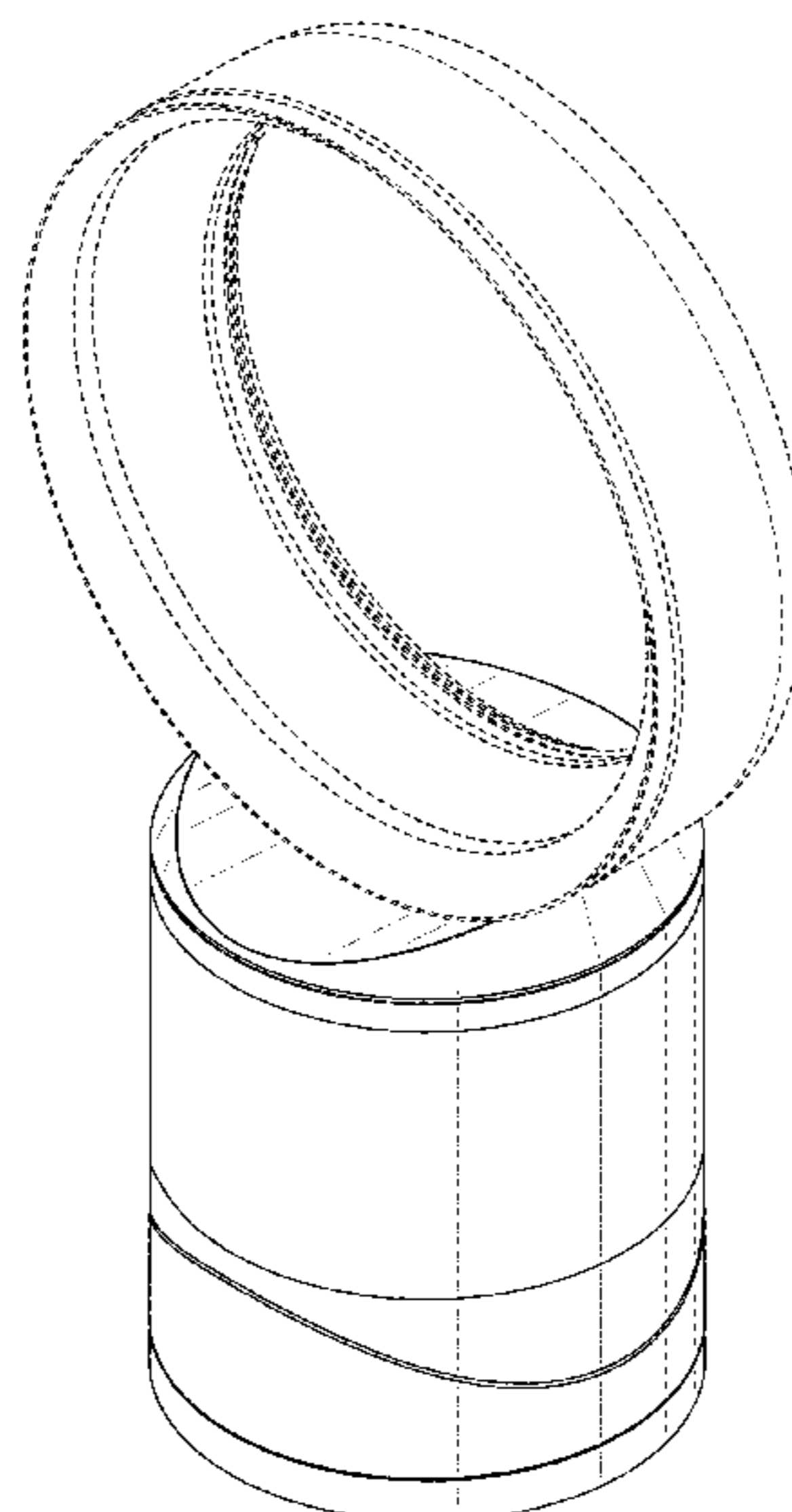
FIG. 1 is a perspective view of a fan showing our new design;  
FIG. 2 is a front view thereof;  
FIG. 3 is a rear view thereof;  
FIG. 4 is a side view thereof;  
FIG. 5 is a side view of the opposite side of FIG. 4;  
FIG. 6 is a top view thereof; and,  
FIG. 7 is a bottom view thereof.  
The broken lines in the drawings depict parts of the fan that form no part of the claimed design.

(56) **References Cited**

U.S. PATENT DOCUMENTS

D602,143 S \* 10/2009 Gammack ..... D23/370  
D605,748 S \* 12/2009 Gammack ..... D23/370

**1 Claim, 6 Drawing Sheets**



(56)

**References Cited**

U.S. PATENT DOCUMENTS

2010/0254800 A1\* 10/2010 Fitton ..... F04D 25/08  
415/90  
2012/0093629 A1\* 4/2012 Fitton ..... F04D 25/08  
415/90  
2012/0318392 A1\* 12/2012 Li ..... F04D 25/08  
137/803  
2012/0318393 A1\* 12/2012 Tsen ..... F15D 1/02  
137/803  
2013/0142676 A1\* 6/2013 Zou ..... F04F 5/16  
417/313  
2013/0280051 A1\* 10/2013 Nicolas ..... F04D 25/08  
415/182.1  
2013/0280061 A1\* 10/2013 Stickney ..... F04D 25/08  
415/211.2  
2013/0309080 A1\* 11/2013 Johnson ..... F04D 29/665  
415/208.1  
2014/0178209 A1\* 6/2014 Smith ..... F04F 5/16  
417/44.1  
2016/0215782 A1\* 7/2016 Xie ..... F04D 25/08  
2016/0238026 A1\* 8/2016 Barclay ..... F04D 25/08  
2016/0238037 A1\* 8/2016 Peet ..... F04D 25/08  
2016/0238038 A1\* 8/2016 Hughes ..... F04D 29/703  
2016/0238039 A1\* 8/2016 Stewart ..... F04D 29/403  
2016/0281742 A1\* 9/2016 Rivera ..... F04D 29/601

\* cited by examiner

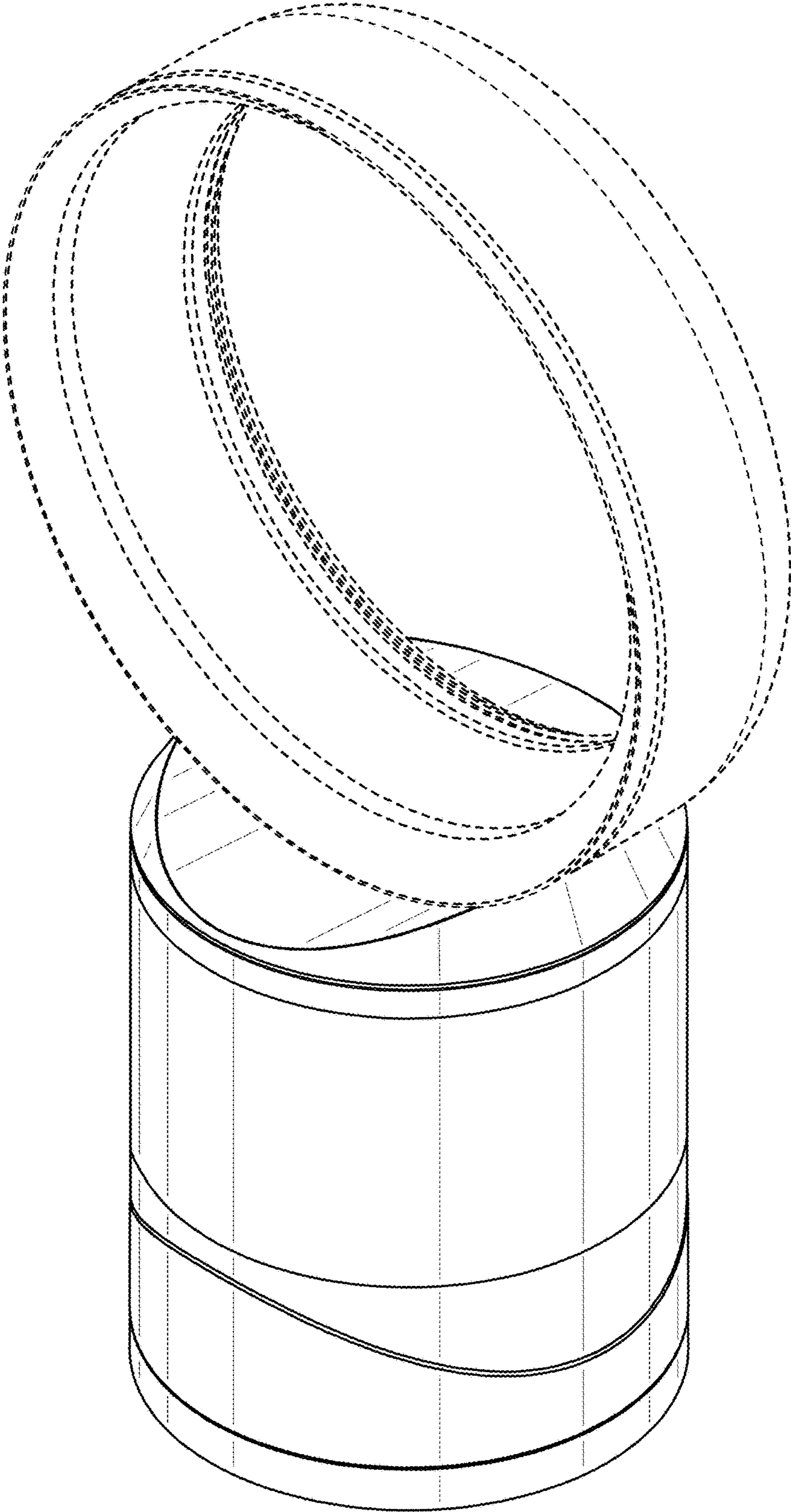


FIG. 1

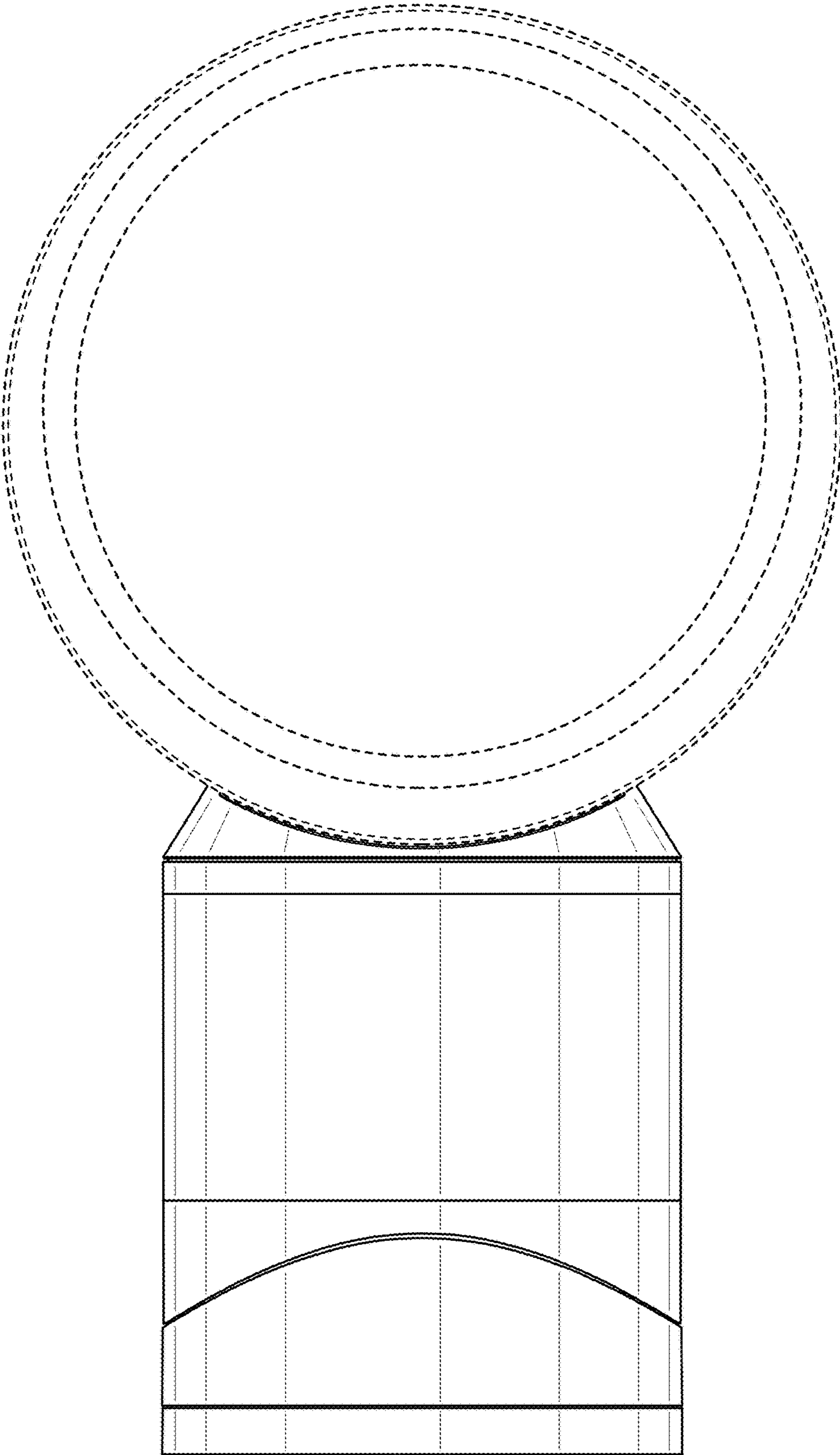


FIG. 2



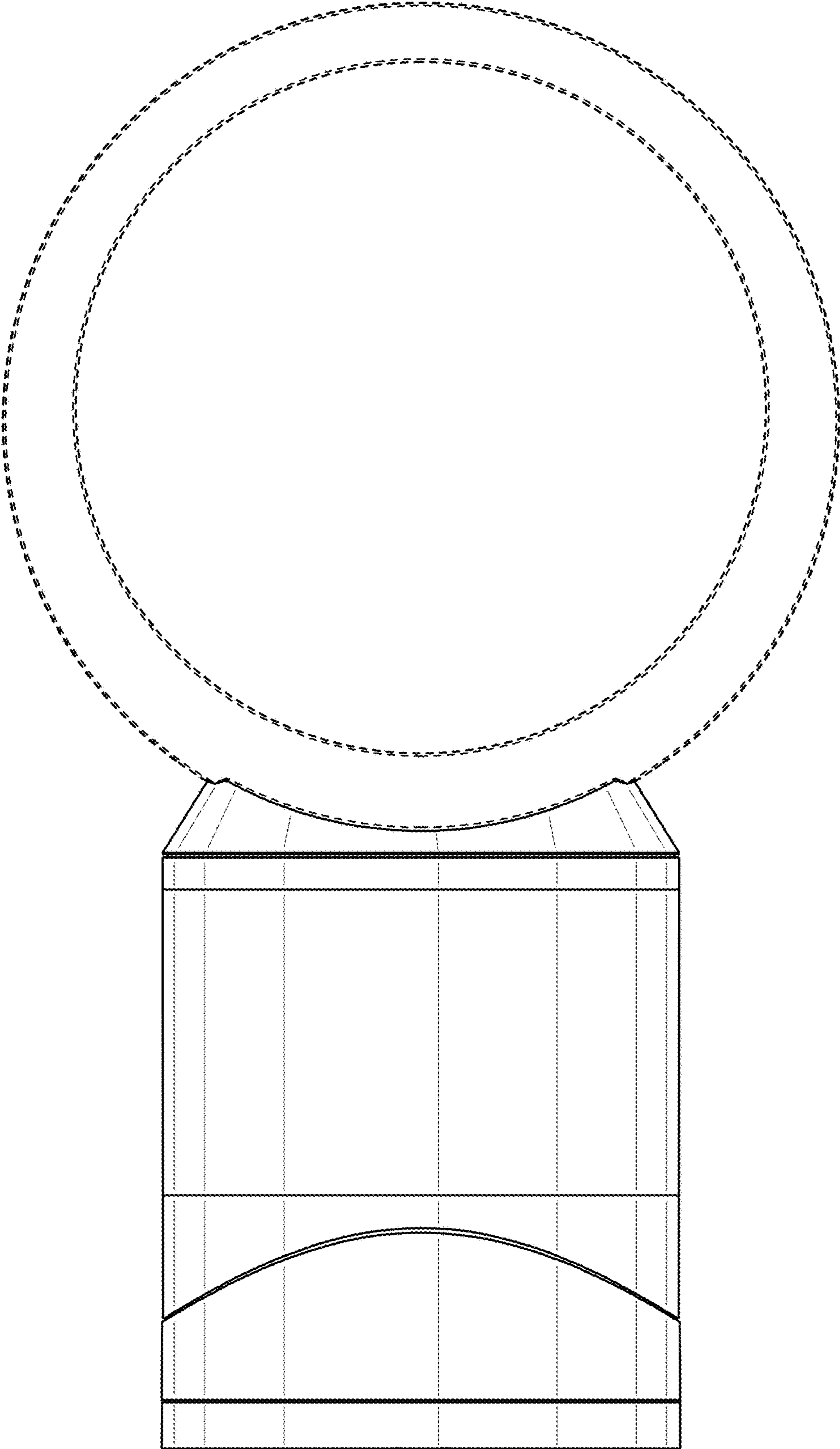


FIG. 3

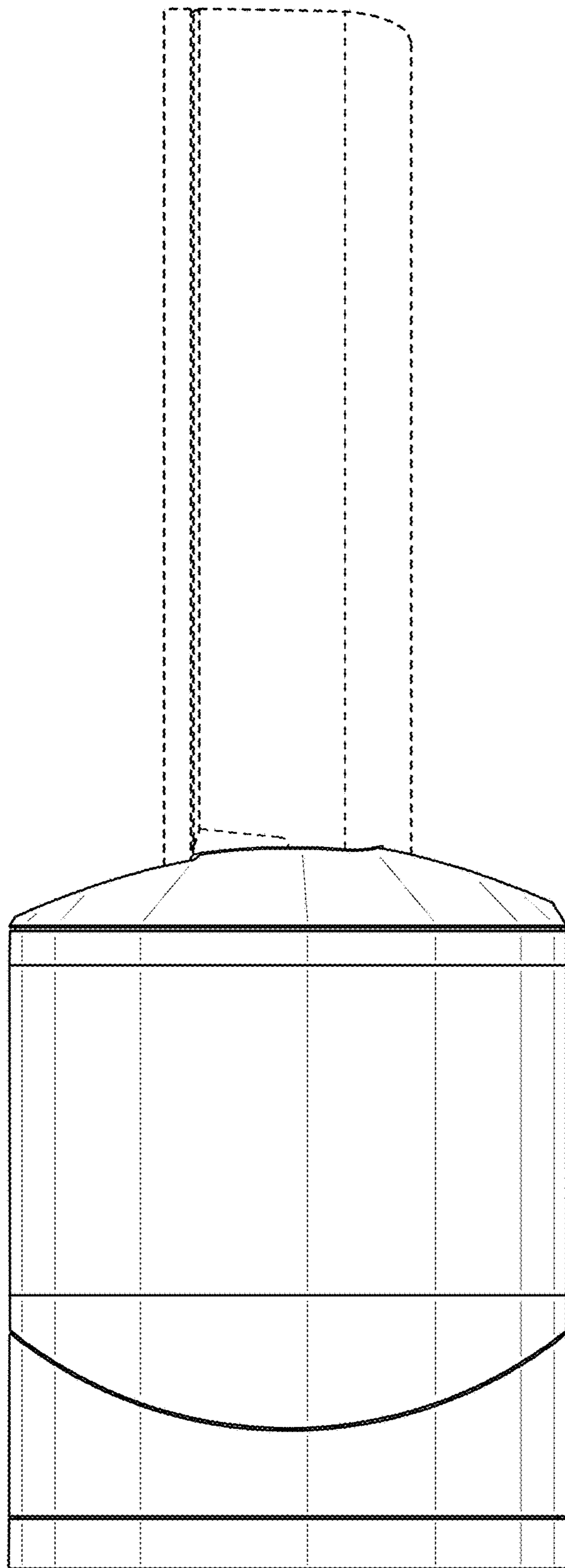


FIG. 4

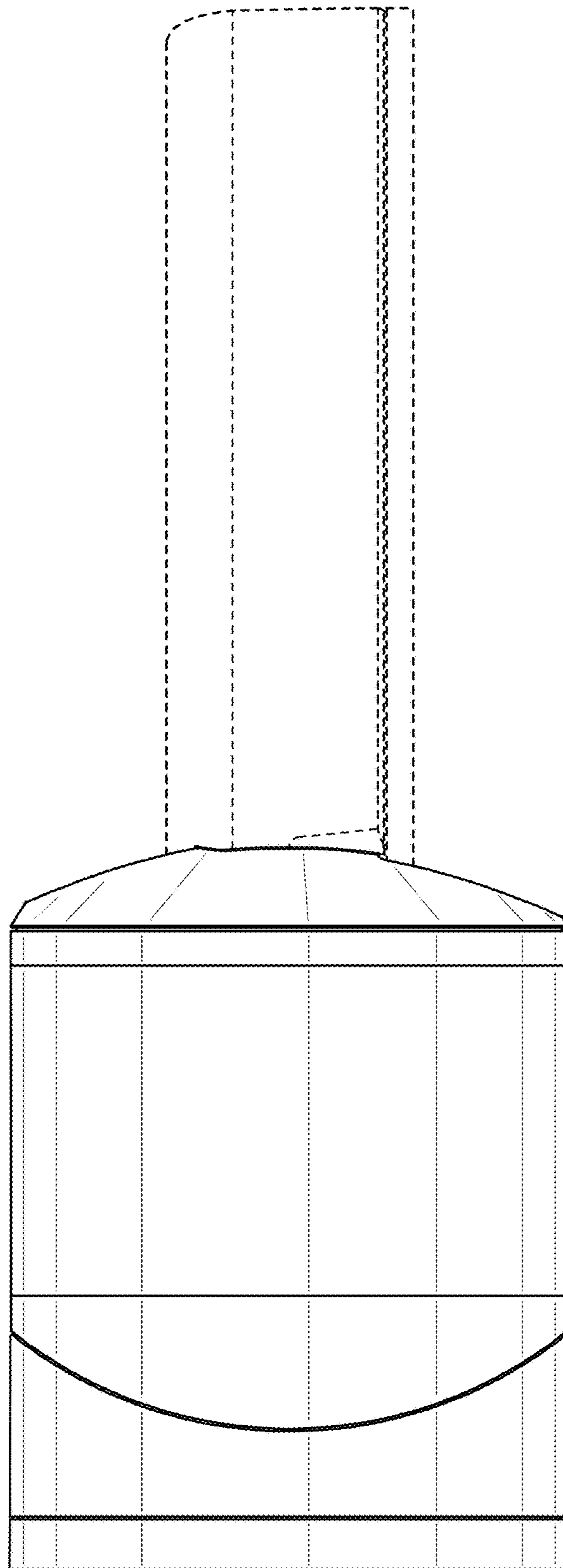


FIG. 5

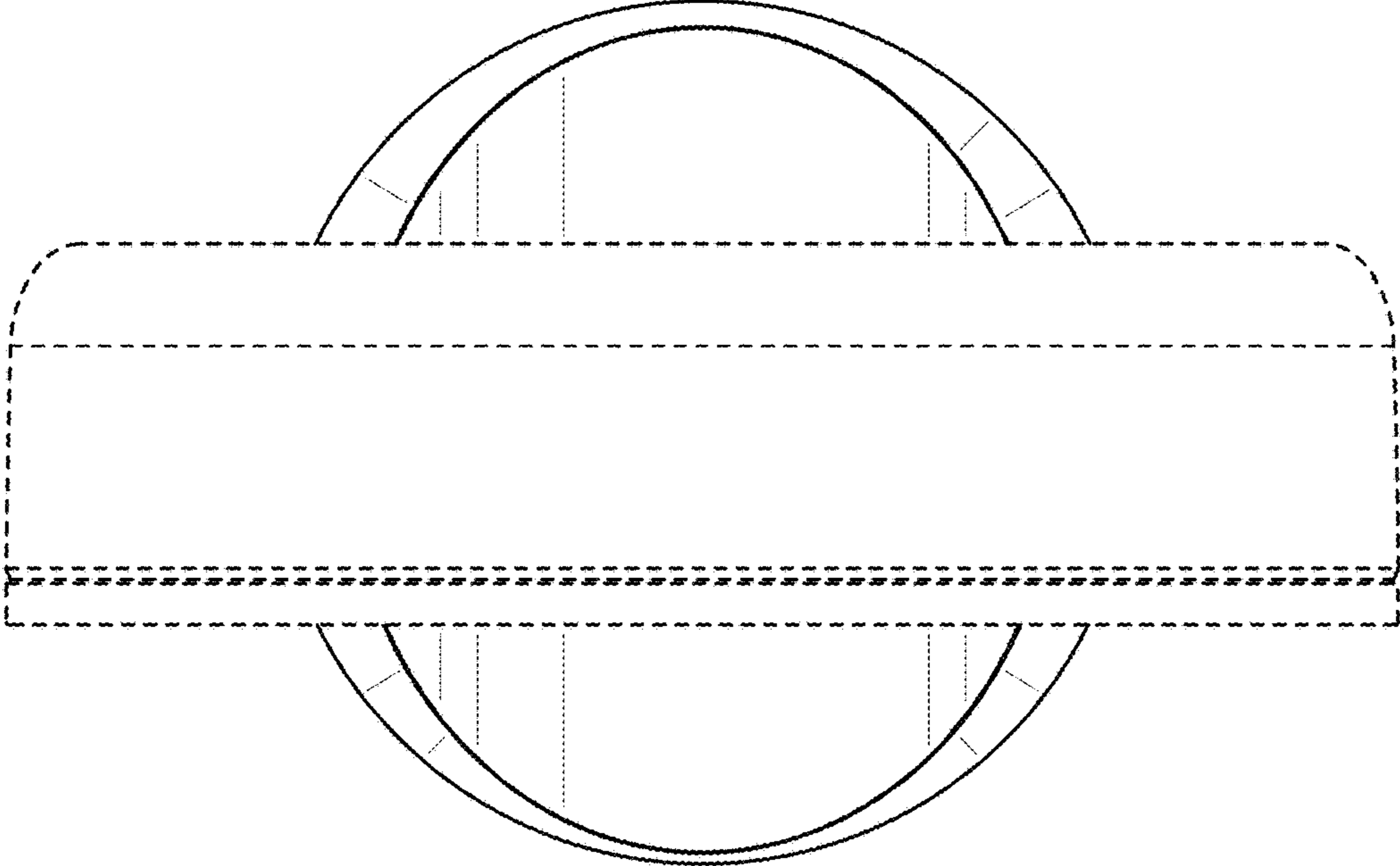


FIG. 6

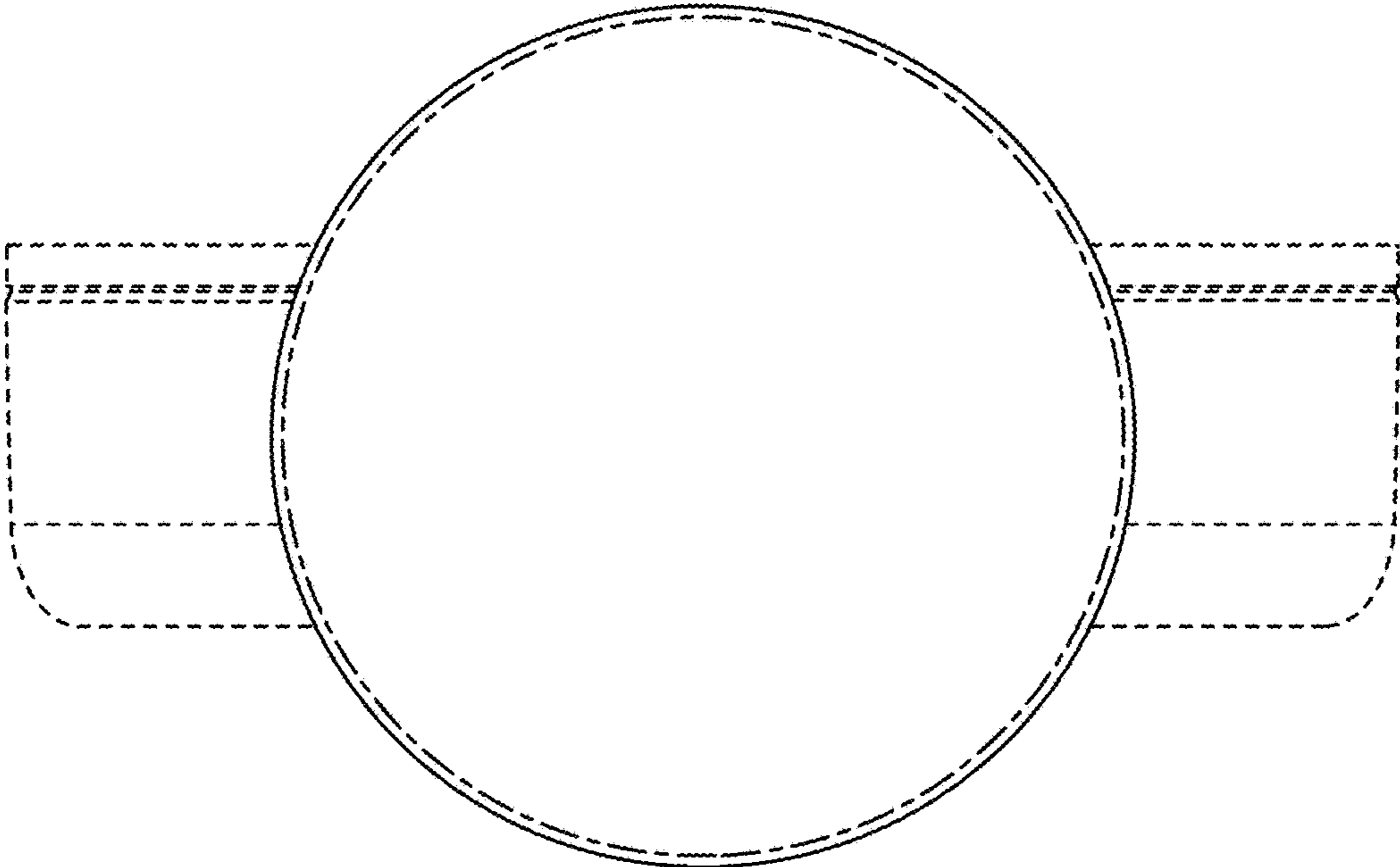


FIG. 7