



US00D782019S

(12) **United States Design Patent** (10) **Patent No.:** **US D782,019 S**
Kim (45) **Date of Patent:** **** Mar. 21, 2017**

(54) **AIR PURIFIER**

(71) Applicant: **Coway Co., Ltd.**,
Choongcheongnam-do (KR)

(72) Inventor: **Young Jo Kim**, Seoul (KR)

(73) Assignee: **COWAY CO., LTD.**,
Choongcheongnam-Do (KR)

(**) Term: **15 Years**

(21) Appl. No.: **29/538,942**

(22) Filed: **Sep. 9, 2015**

(30) **Foreign Application Priority Data**

Mar. 11, 2015 (KR) 30-2015-0012146

(51) **LOC (10) Cl.** **23-04**

(52) **U.S. Cl.**
USPC **D23/364**

(58) **Field of Classification Search**
USPC D23/355, 356, 359, 364, 366, 370, 386
CPC B01D 46/00; B01D 46/0002; A61L 9/00
See application file for complete search history.

(56) **References Cited**

U.S. PATENT DOCUMENTS

D190,775 S * 6/1961 Nesbitt D23/356
D287,274 S * 12/1986 Crowley D23/356
D394,099 S * 5/1998 Tsuji D23/356
D449,850 S * 10/2001 Ho D18/34.6

D526,640 S * 8/2006 Chin D14/188
D582,533 S * 12/2008 Bodine D23/366
D639,413 S * 6/2011 Wu D23/364
D653,742 S * 2/2012 Satou D23/351
D675,303 S * 1/2013 Raupach D23/364
D682,406 S * 5/2013 Yeom D23/356
D690,803 S * 10/2013 Koivisto D23/364
D705,410 S * 5/2014 Terao
D728,089 S * 4/2015 Crisa' D23/366
D741,465 S * 10/2015 Satou D23/364
D741,466 S * 10/2015 Satou D23/364
D744,541 S * 12/2015 Langhammer D14/203.1
D755,359 S * 5/2016 Rentschler D23/355
D755,942 S * 5/2016 Kim D23/364

* cited by examiner

Primary Examiner — Kevin Rudzinski

(74) *Attorney, Agent, or Firm* — McDermott Will & Emery LLP

(57) **CLAIM**

The ornamental design for an air purifier, as shown and described.

DESCRIPTION

FIG. 1 is a perspective view of an air purifier showing the new design;

FIG. 2 is a front view of the air purifier;

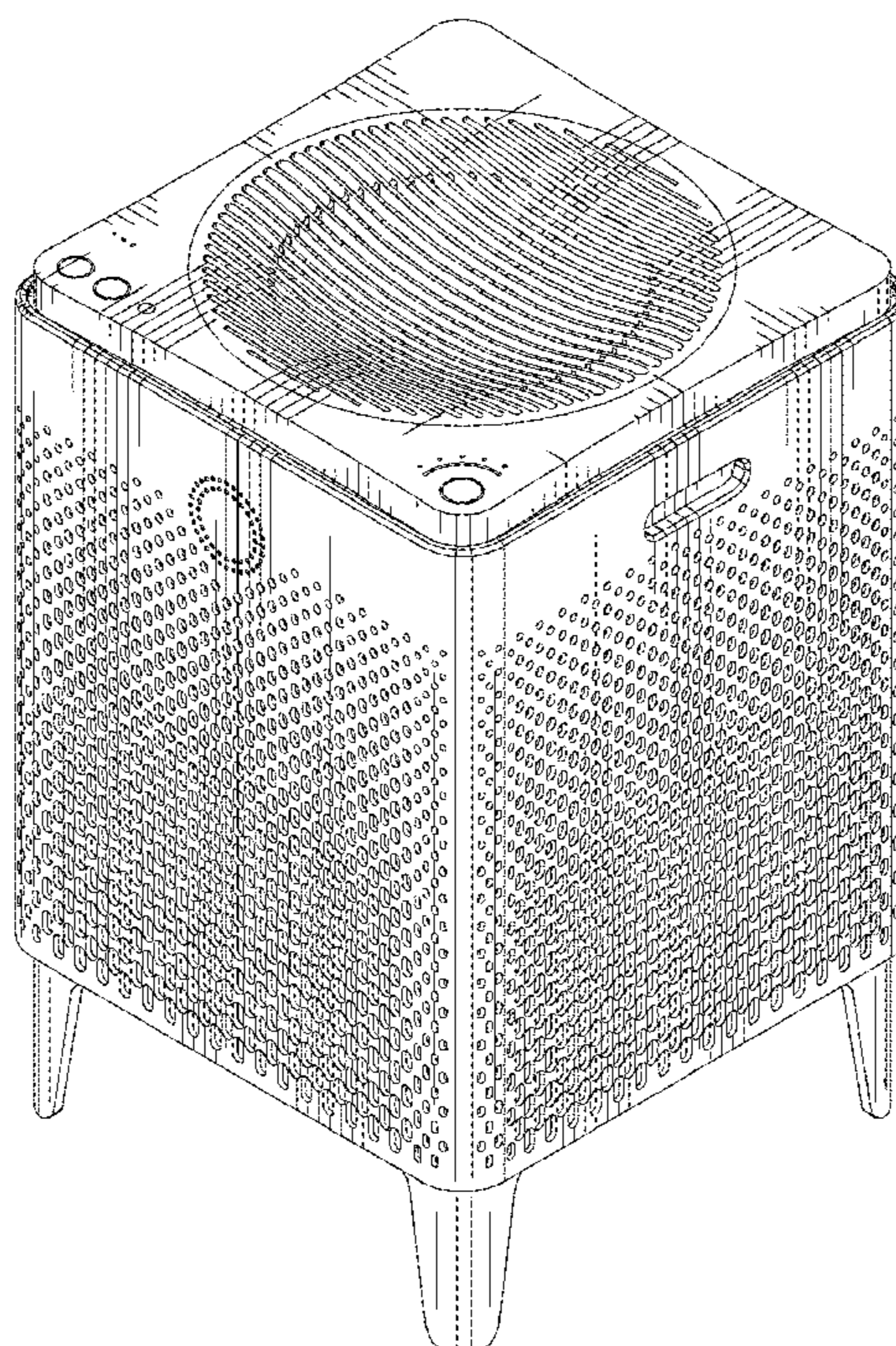
FIG. 3 is a rear view of the air purifier;

FIG. 4 is a left side view thereof of the air purifier;

FIG. 5 is a top view of the air purifier; and,

FIG. 6 is a bottom view of the air purifier.

1 Claim, 6 Drawing Sheets



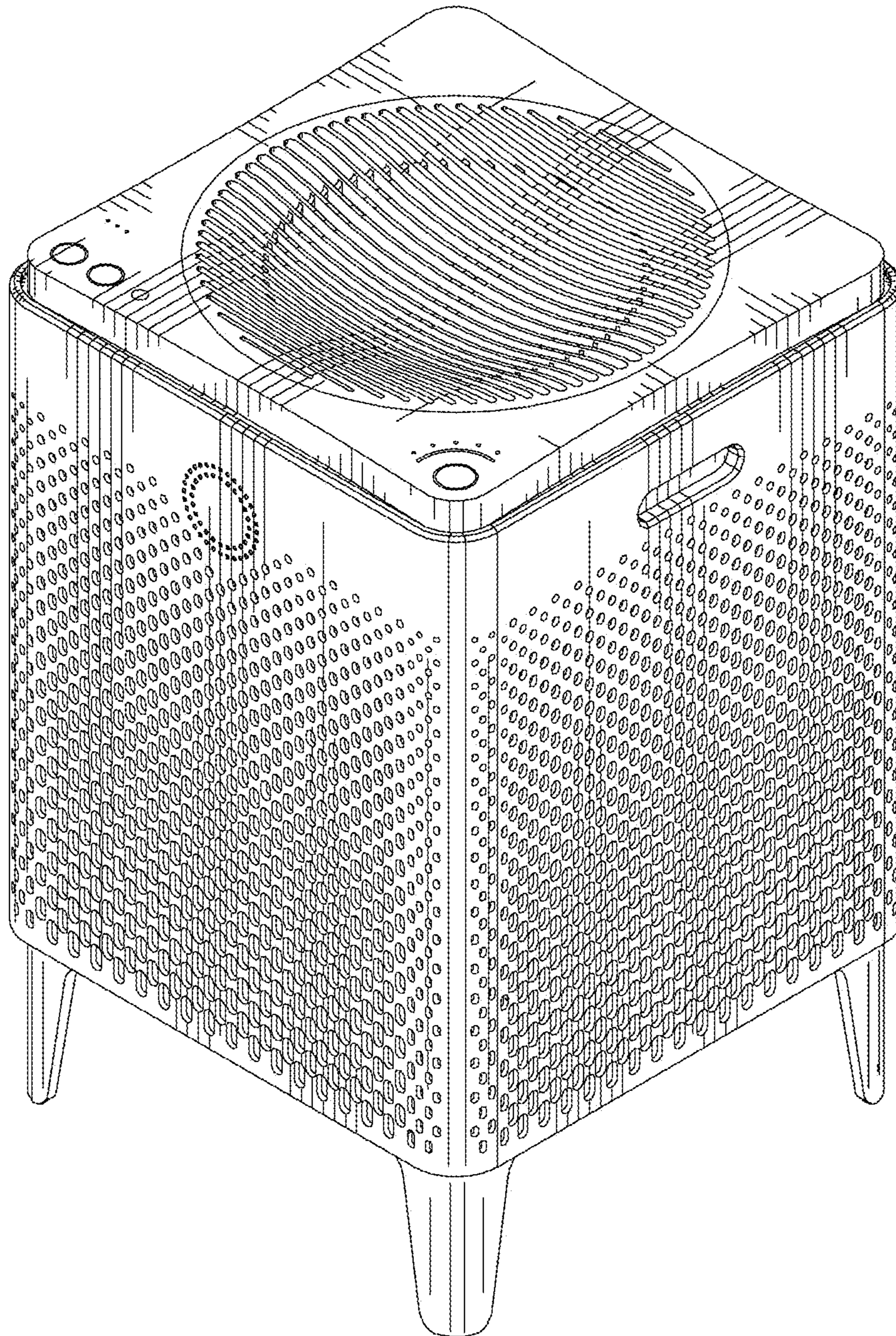


FIG. 1

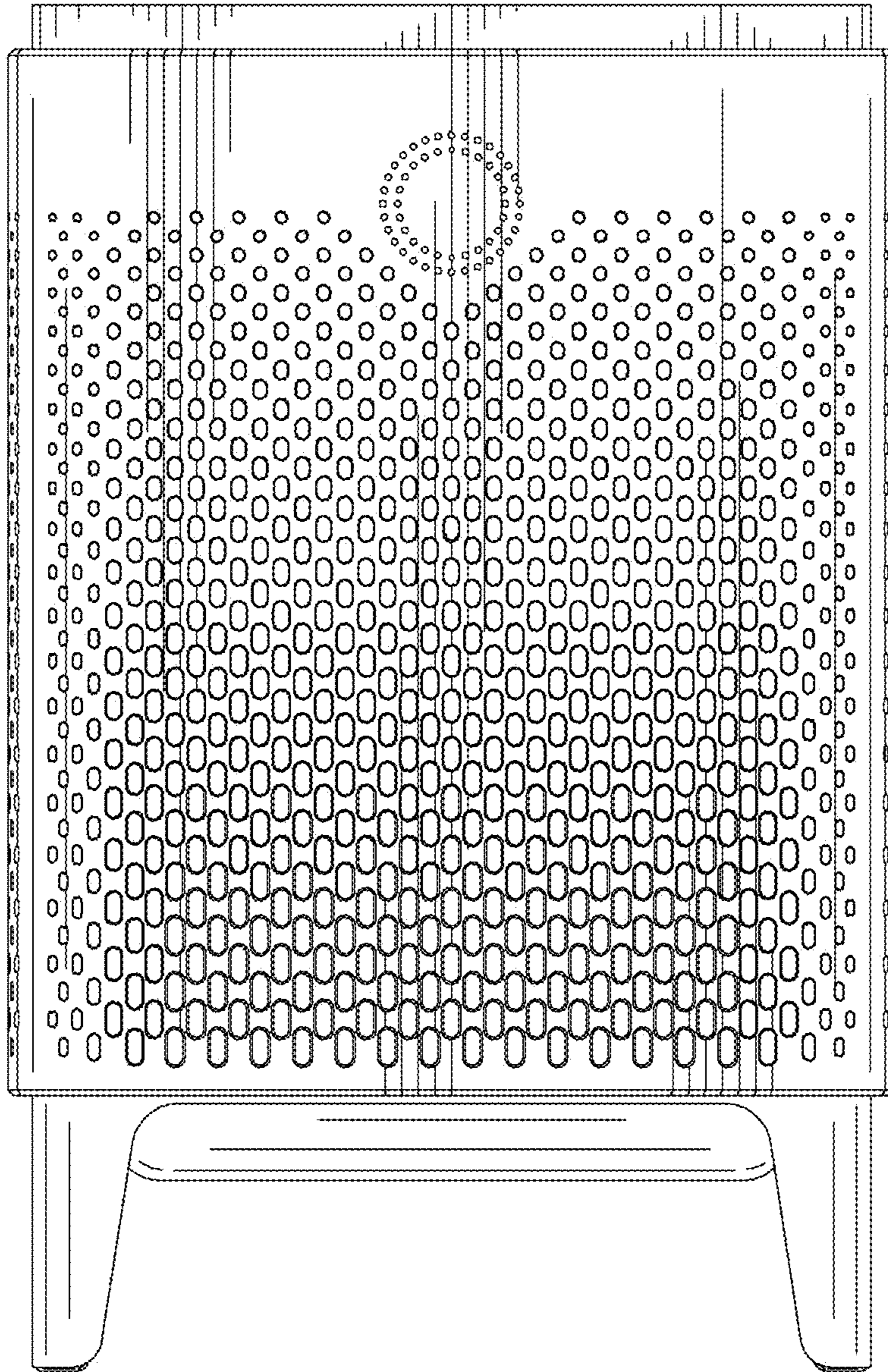


FIG. 2

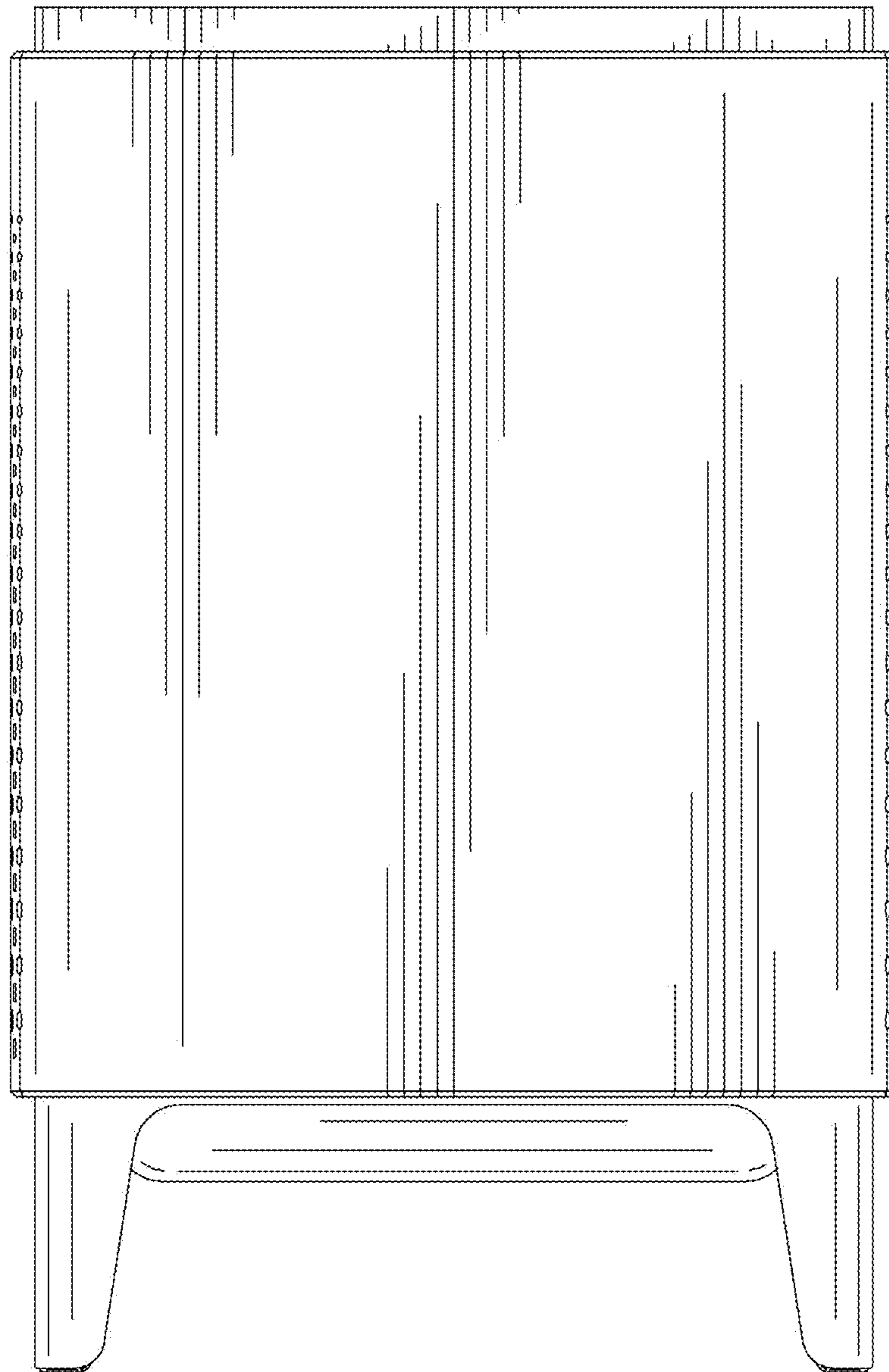


FIG. 3

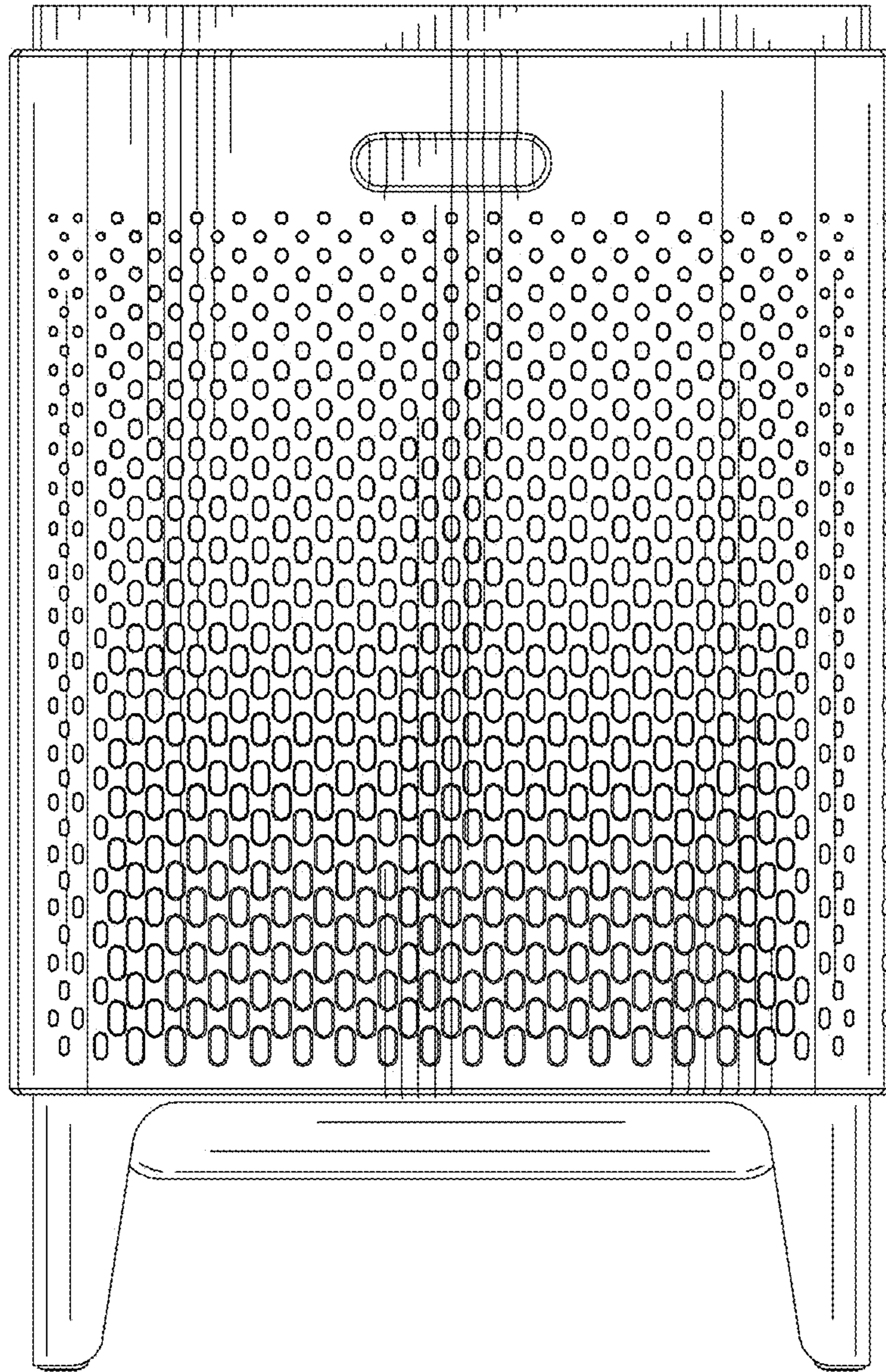


FIG. 4

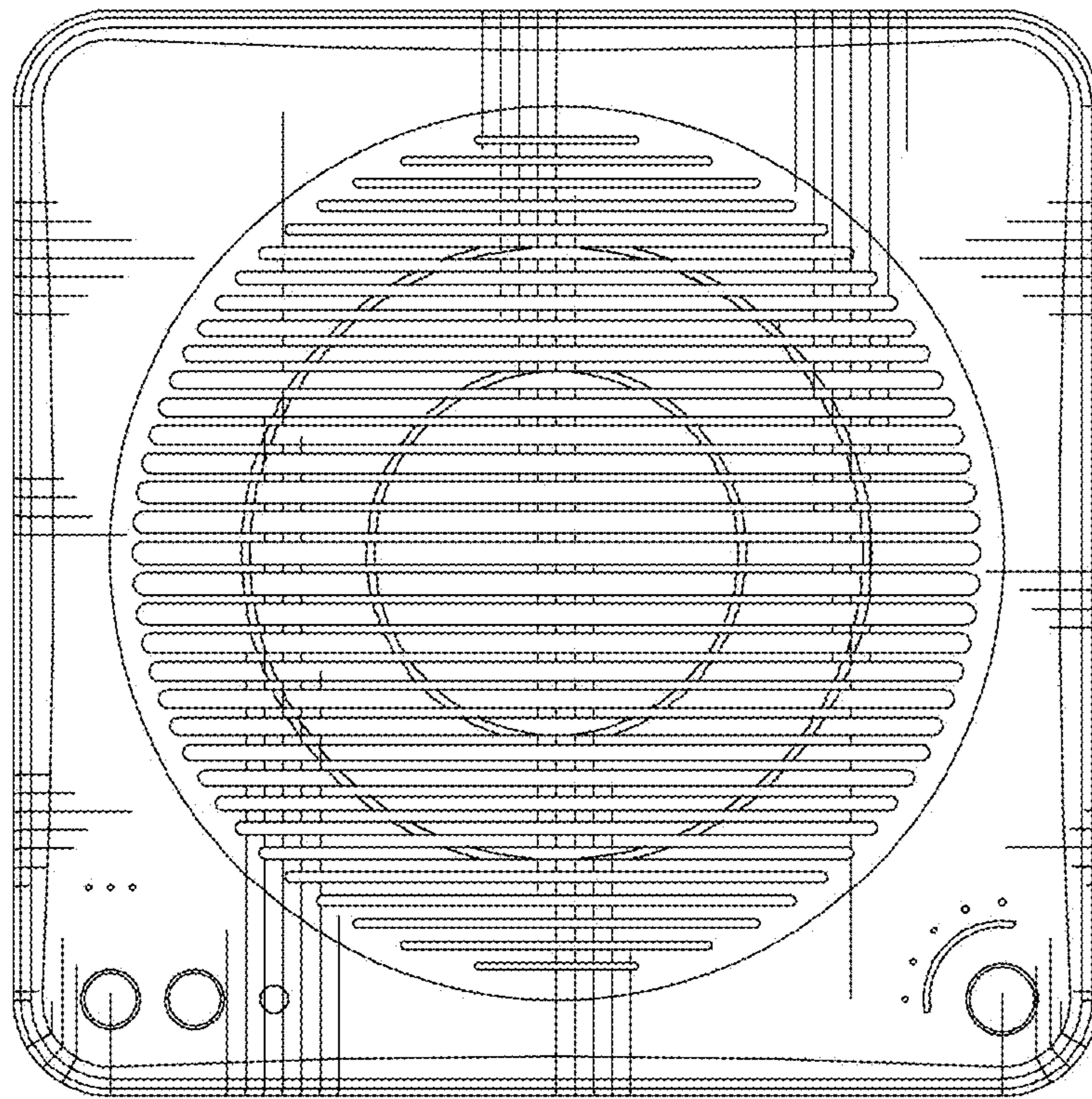


FIG. 5

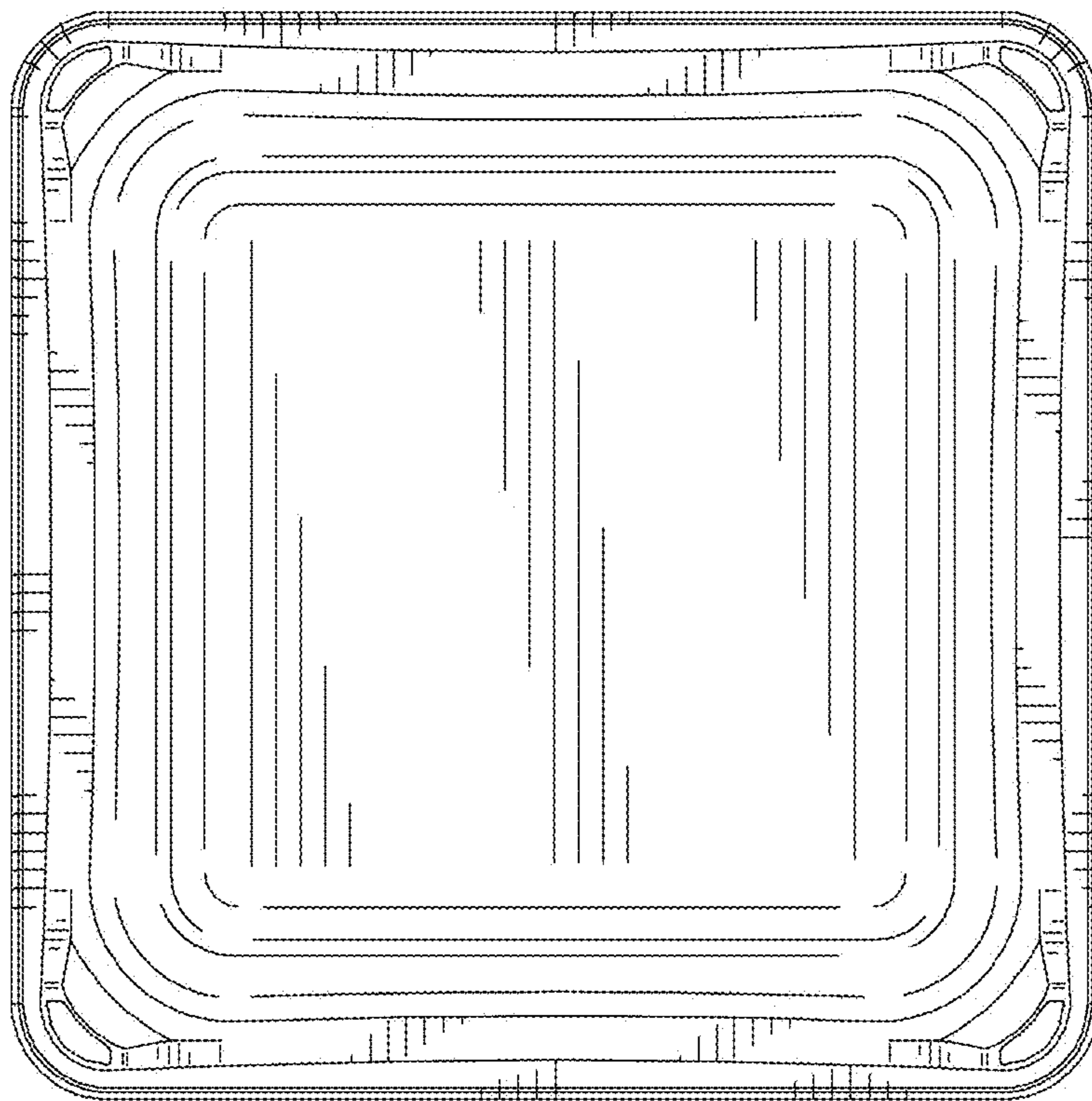


FIG. 6