



US00D782018S

(12) **United States Design Patent** (10) **Patent No.:** **US D782,018 S**
Eilmus et al. (45) **Date of Patent:** **** Mar. 21, 2017**

(54) **SINK**

(71) Applicant: **Kohler Co.**, Kohler, WI (US)

(72) Inventors: **Niels J. Eilmus**, Sheboygan, WI (US);
Matthew Ryan Wegner, Sheboygan,
WI (US)

(73) Assignee: **KOHLER CO.**, Kohler, WI (US)

(**) Term: **15 Years**

(21) Appl. No.: **29/567,287**

(22) Filed: **Jun. 7, 2016**

Related U.S. Application Data

(62) Division of application No. 29/521,960, filed on Mar.
26, 2015, now Pat. No. Des. 769,424.

(51) **LOC (10) Cl.** **23-02**

(52) **U.S. Cl.**
USPC **D23/308**

(58) **Field of Classification Search**
USPC D23/284, 286, 287, 290, 303, 308
(Continued)

(56) **References Cited**

U.S. PATENT DOCUMENTS

D328,339 S 7/1992 Sauter et al.
D482,764 S 11/2003 Genslak

(Continued)

Primary Examiner — Robert Delehanty

(74) *Attorney, Agent, or Firm* — Foley & Lardner LLP

(57) **CLAIM**

We claim the ornamental design for a sink, as shown and
described.

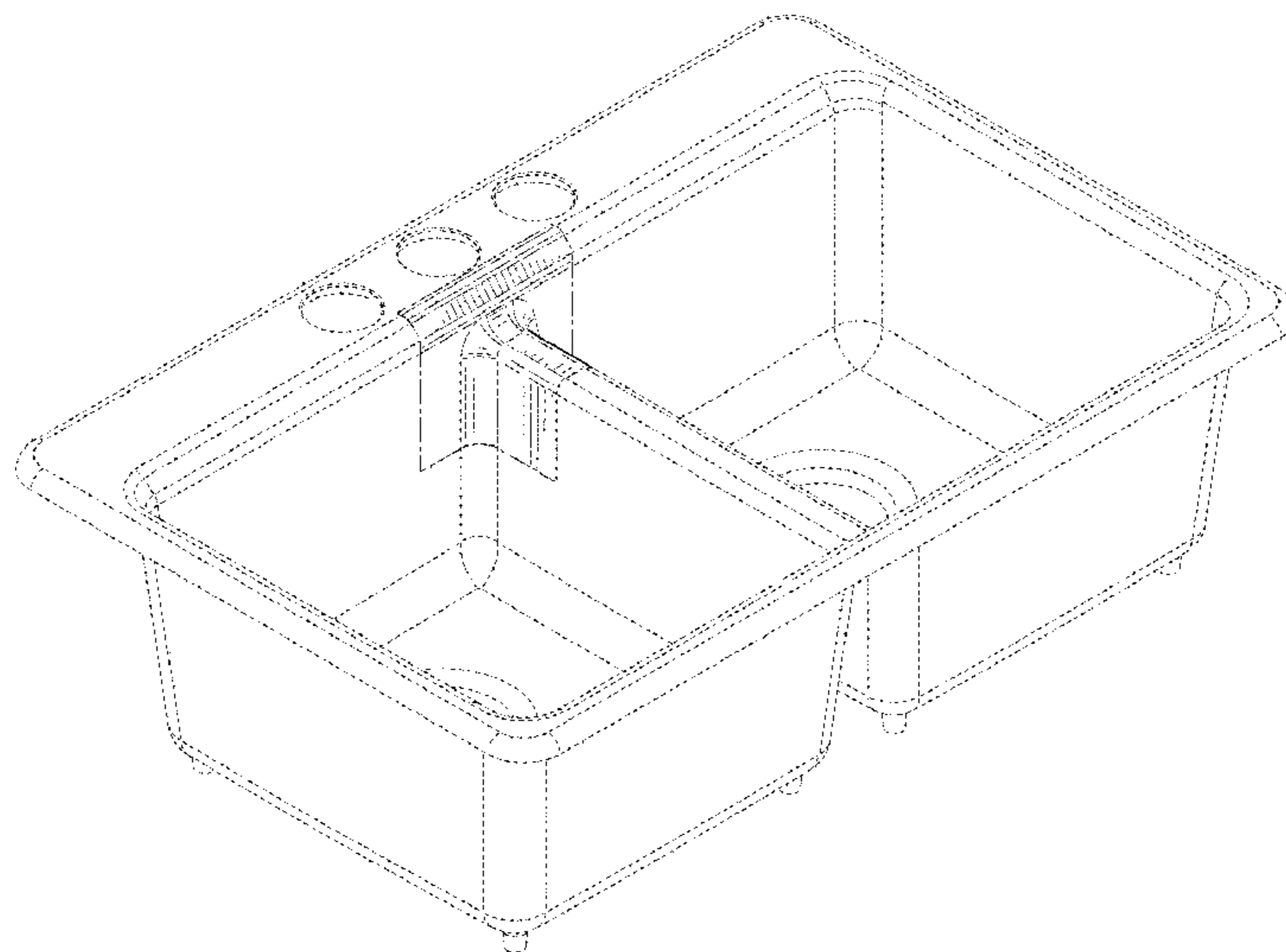
DESCRIPTION

FIG. 1 is a perspective view of an embodiment of the
claimed design;

FIG. 2 is a top view of the claimed design of FIG. 1;
FIG. 3 is a bottom view of the claimed design of FIG. 1;
FIG. 4 is a cross-sectional view of the claimed design of
FIG. 1 taken along line 4-4 of FIG. 2;
FIG. 5 is a cross-sectional view of the claimed design of
FIG. 1 taken along line 5-5 of FIG. 2;
FIG. 6 is a perspective view of another embodiment of the
claimed design;
FIG. 7 is a top view of the claimed design of FIG. 6;
FIG. 8 is a bottom view of the claimed design of FIG. 6;
FIG. 9 is a cross-sectional view of the claimed design of
FIG. 6 taken along line 9-9 of FIG. 7;
FIG. 10 is a cross-sectional view of the claimed design of
FIG. 6 taken along line 10-10 of FIG. 7;
FIG. 11 is a perspective view of another embodiment of the
claimed design;
FIG. 12 is a top view of the claimed design of FIG. 11;
FIG. 13 is a bottom view of the claimed design of FIG. 11;
FIG. 14 is a cross-sectional view of the claimed design of
FIG. 11 taken along line 14-14 of FIG. 12; and,
FIG. 15 is a cross-sectional view of the claimed design of
FIG. 11 taken along line 15-15 of FIG. 12.

The ornamental design that is claimed is shown in the
drawings as solid lines and surfaces having surface shading.
The broken lines in the drawings are for illustrative purposes
only and form no part of the claimed design. For example,
broken lines formed by equal length dashes show unclaimed
portions of the design. Broken lines formed of unequal
length dashes (i.e., dash-dot) show boundaries between
either claimed and unclaimed portions of the design or
between unclaimed and unclaimed portions of the design.
Break lines having a jagged element are not part of the
claimed design and show that differing lengths of the portion
are possible.

1 Claim, 15 Drawing Sheets



(58) **Field of Classification Search**

CPC . A47K 1/02; A47L 17/02; A47L 19/02; E03C
1/14; E03C 1/18; E03C 1/182; E03C
1/186

See application file for complete search history.

(56) **References Cited**

U.S. PATENT DOCUMENTS

D523,540 S	6/2006	Gordon
D645,549 S	9/2011	Booth
D646,365 S	10/2011	Parekh
D659,810 S	5/2012	Eilmus
D669,564 S	10/2012	Eilmus et al.
D672,621 S	12/2012	Eilmus et al.

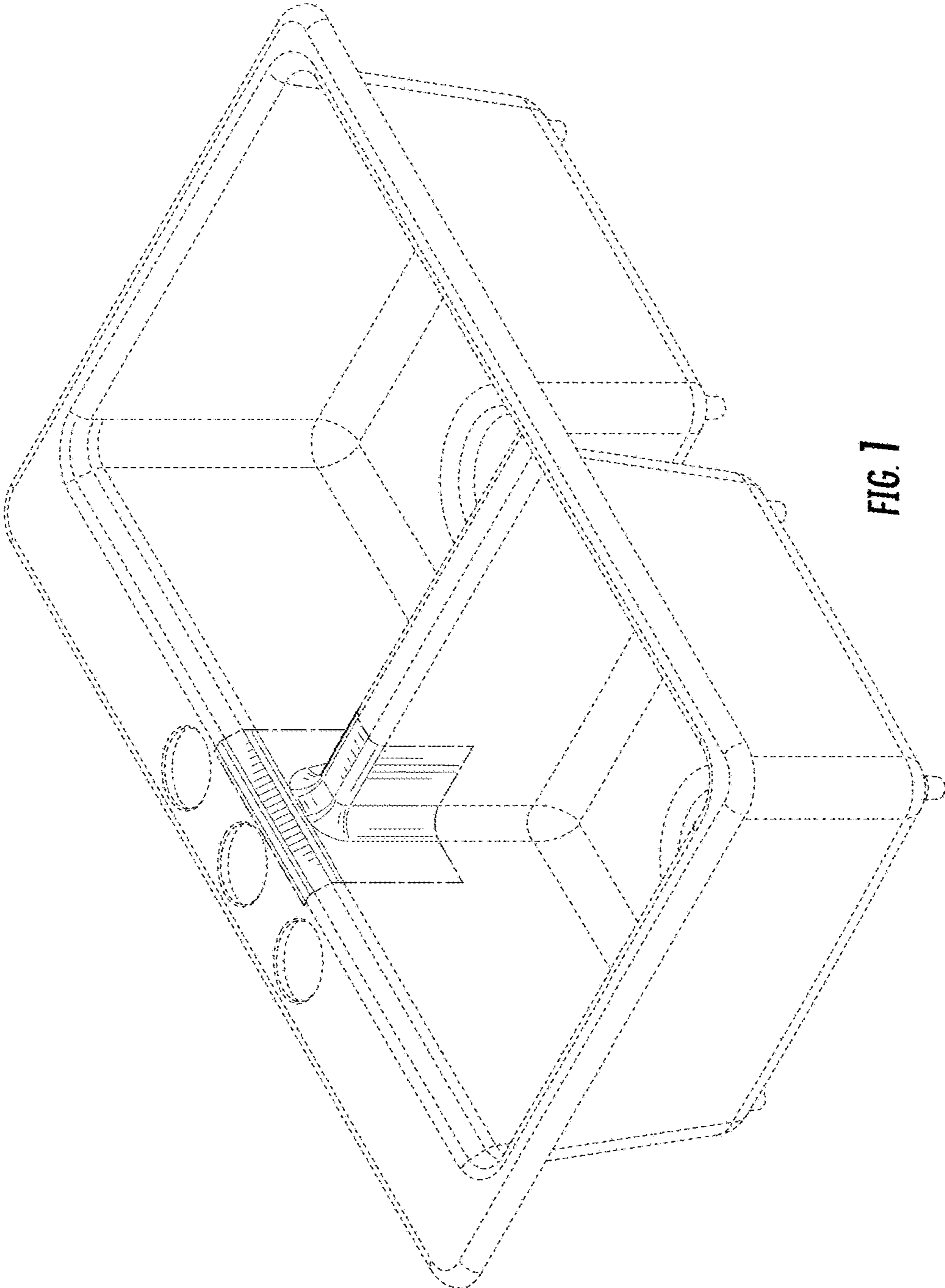


FIG. 1

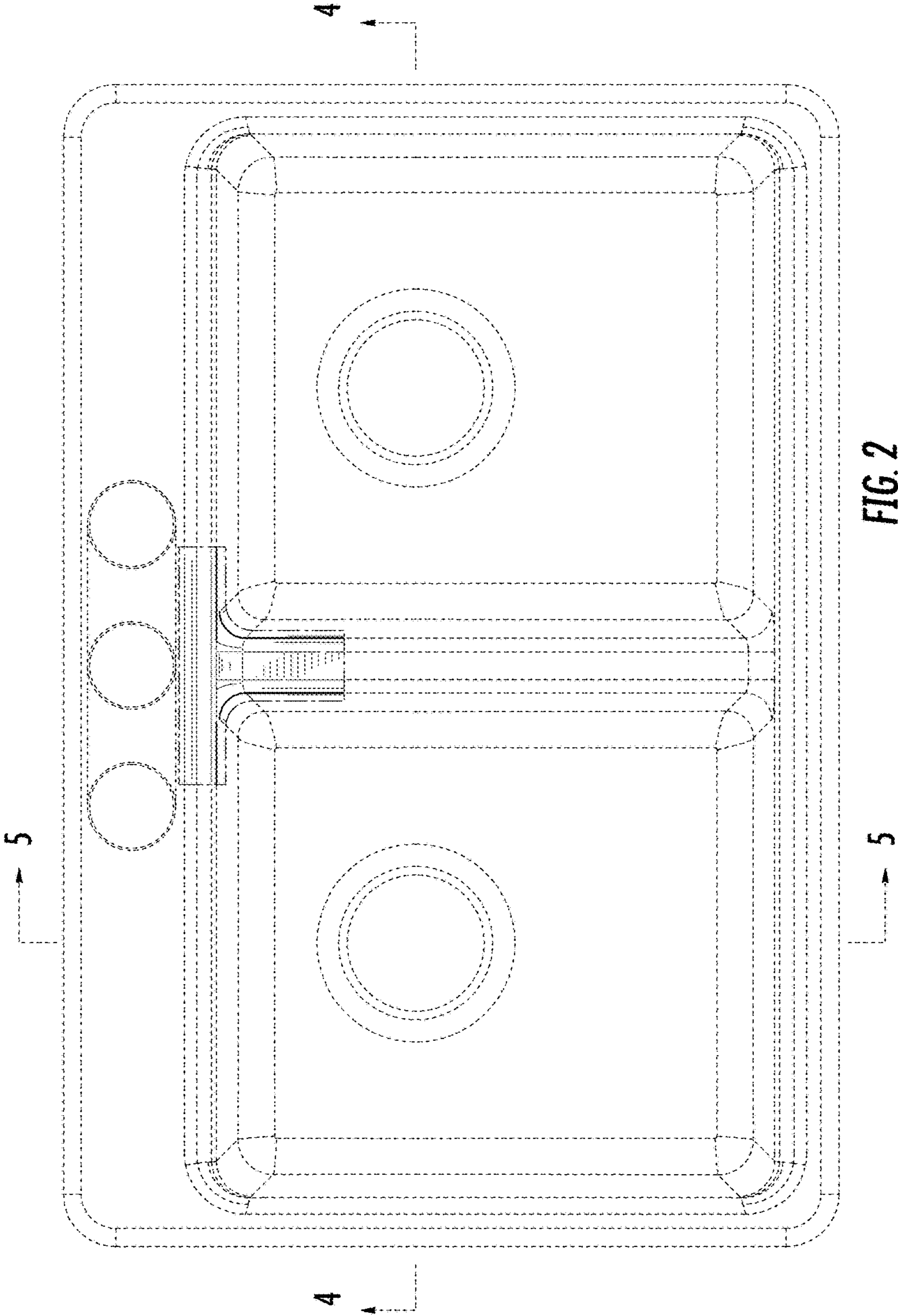


FIG. 2

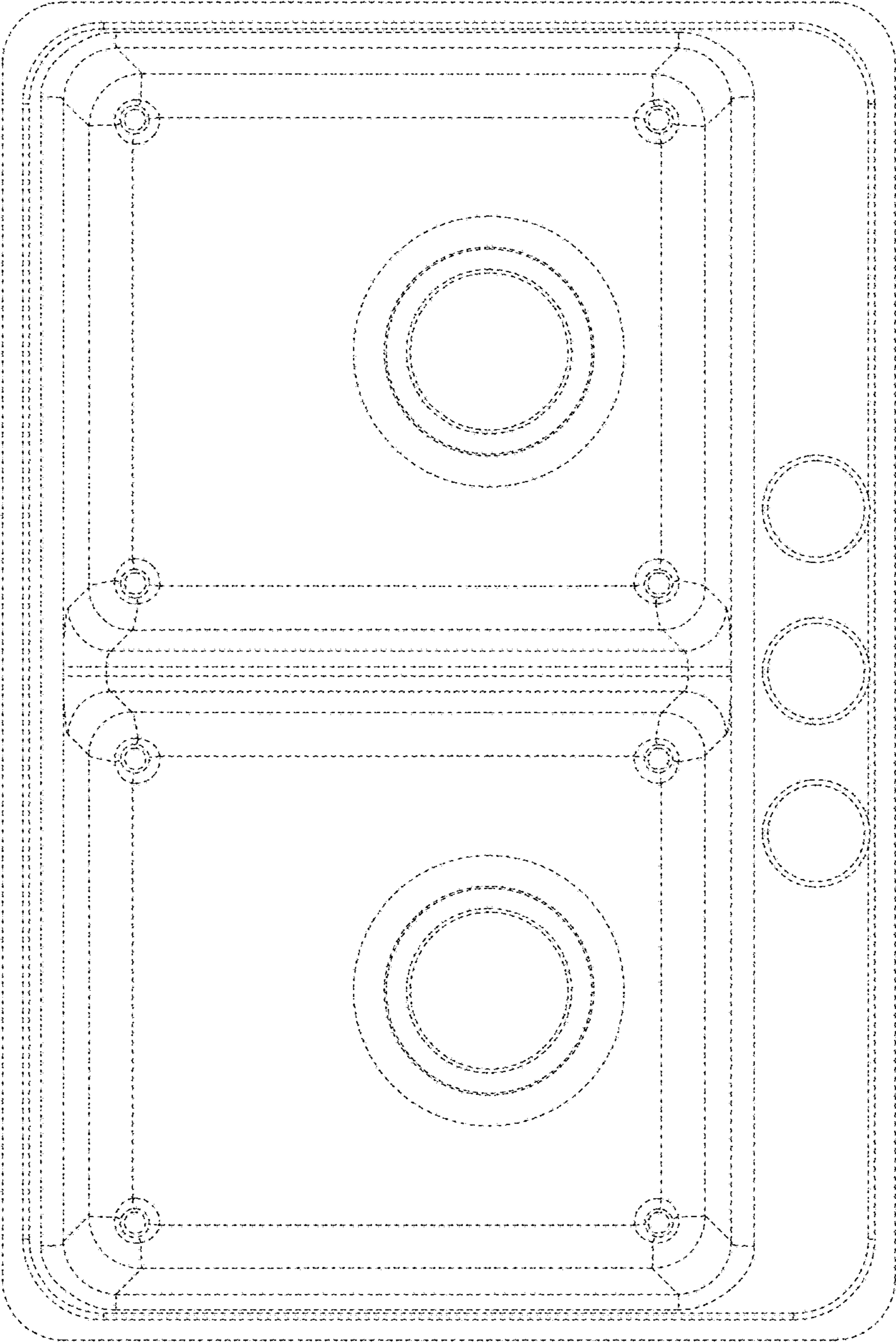


FIG. 3

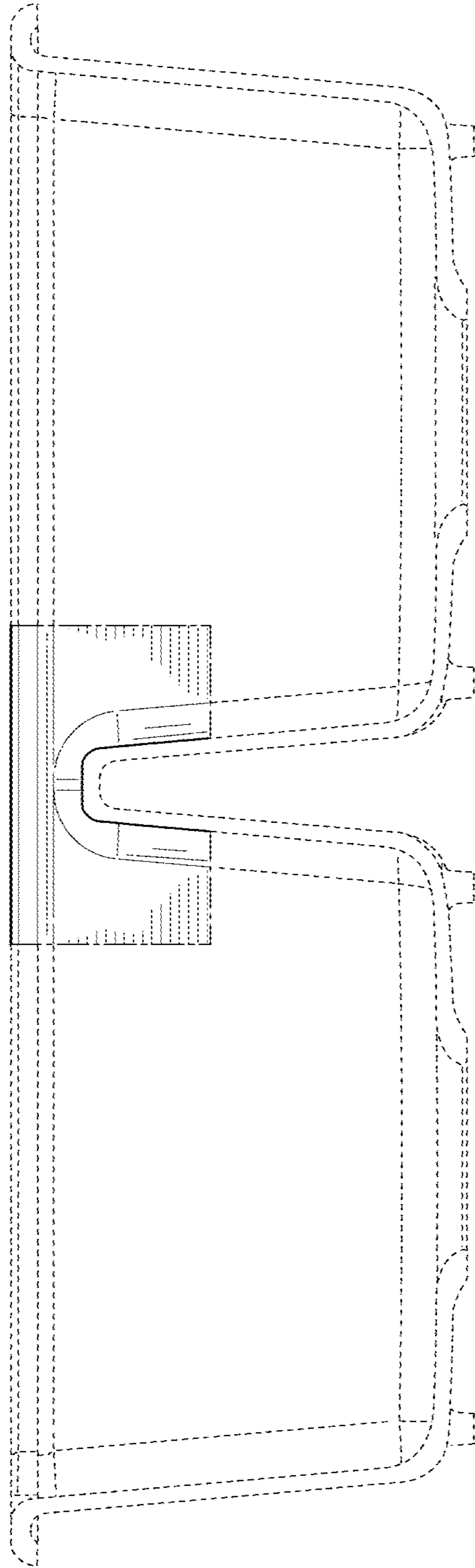


FIG. 4

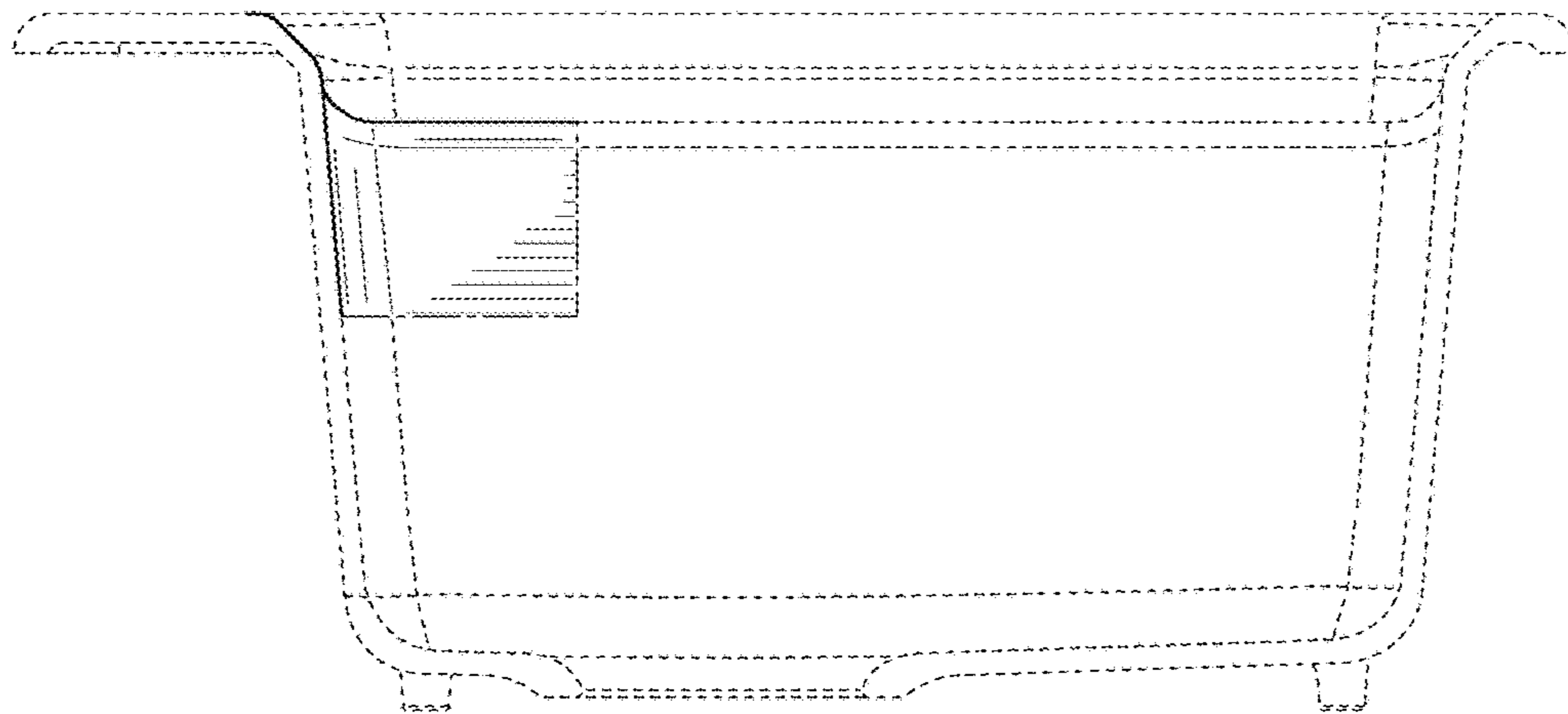


FIG. 5

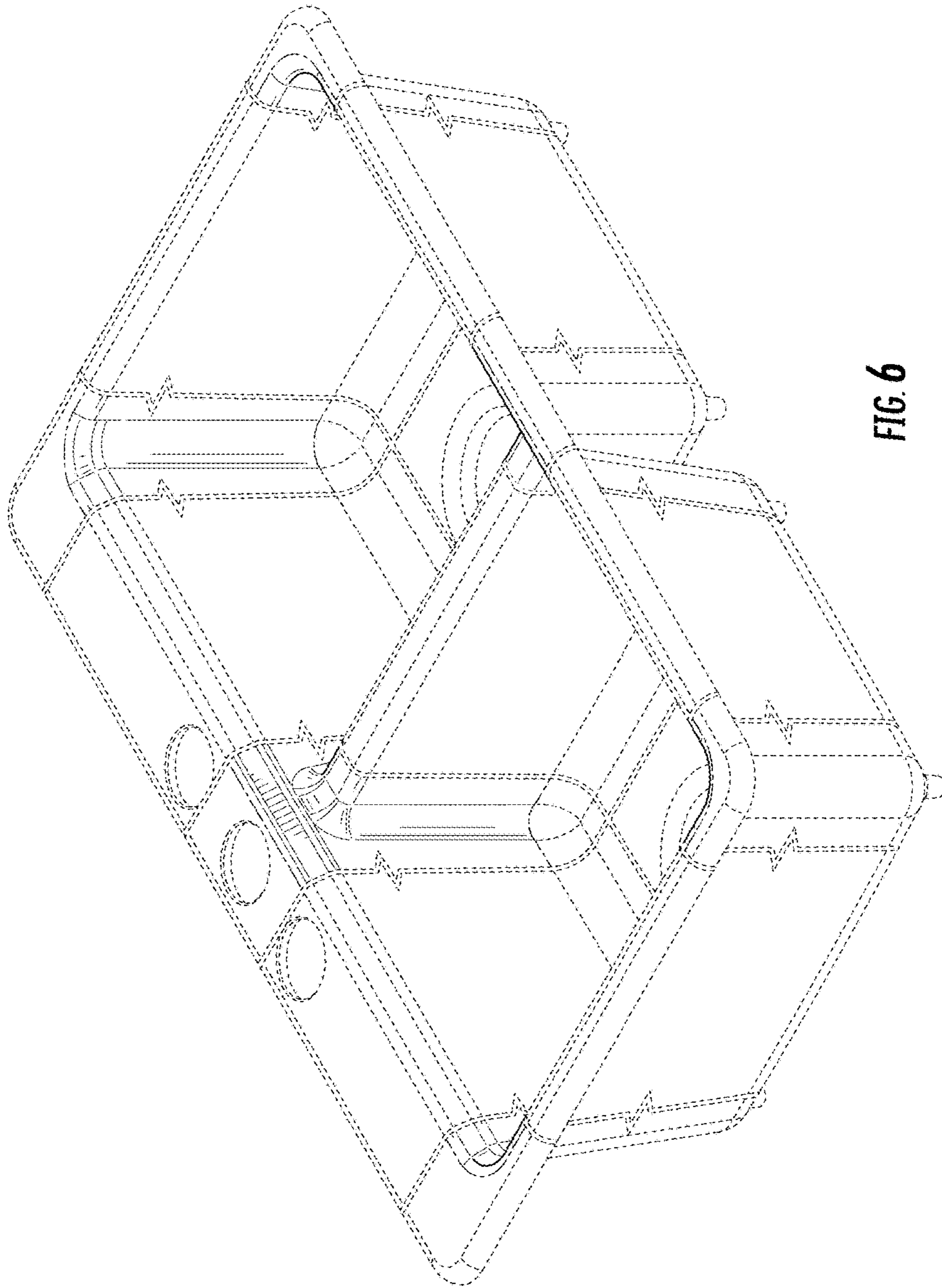
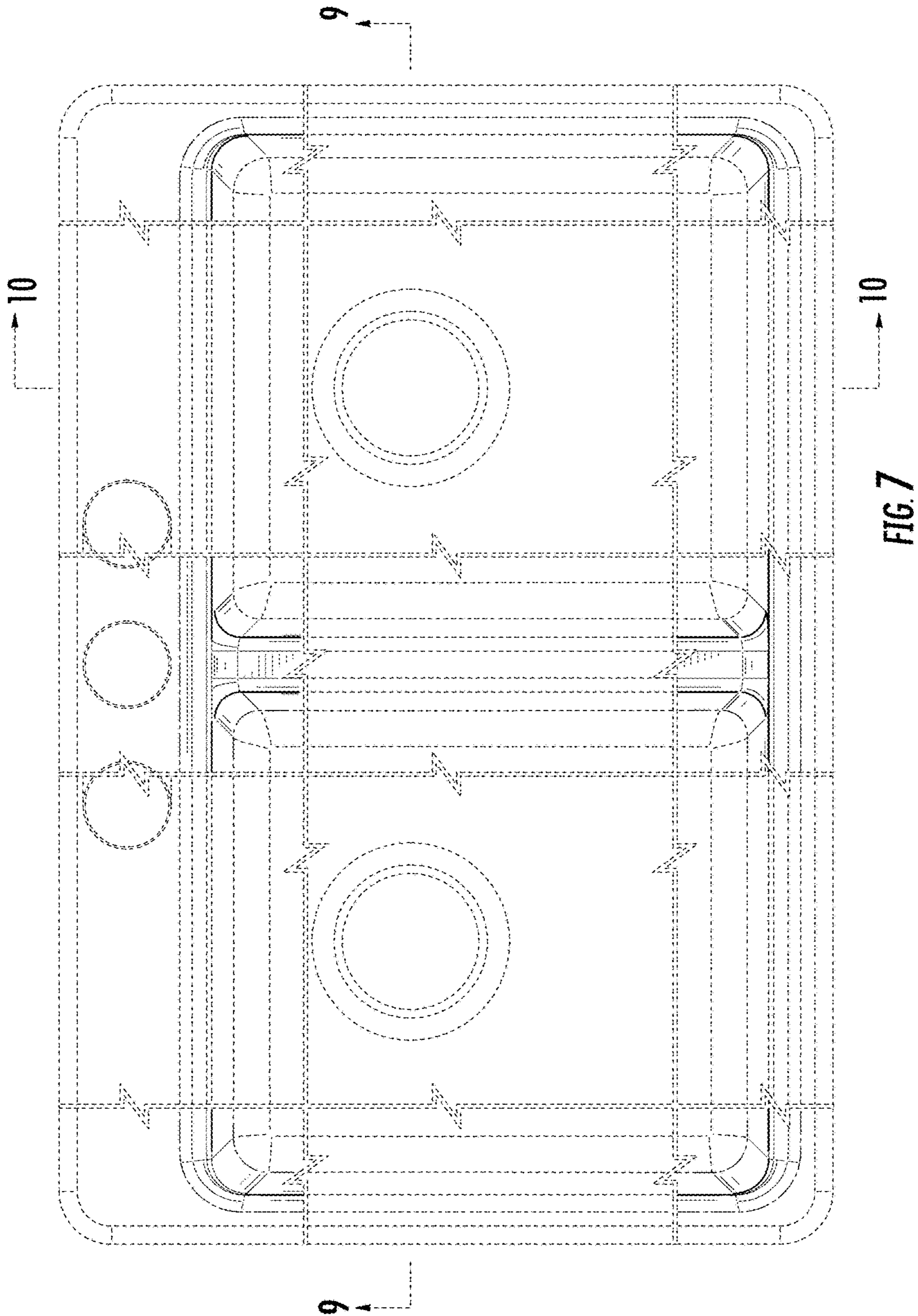


FIG. 6



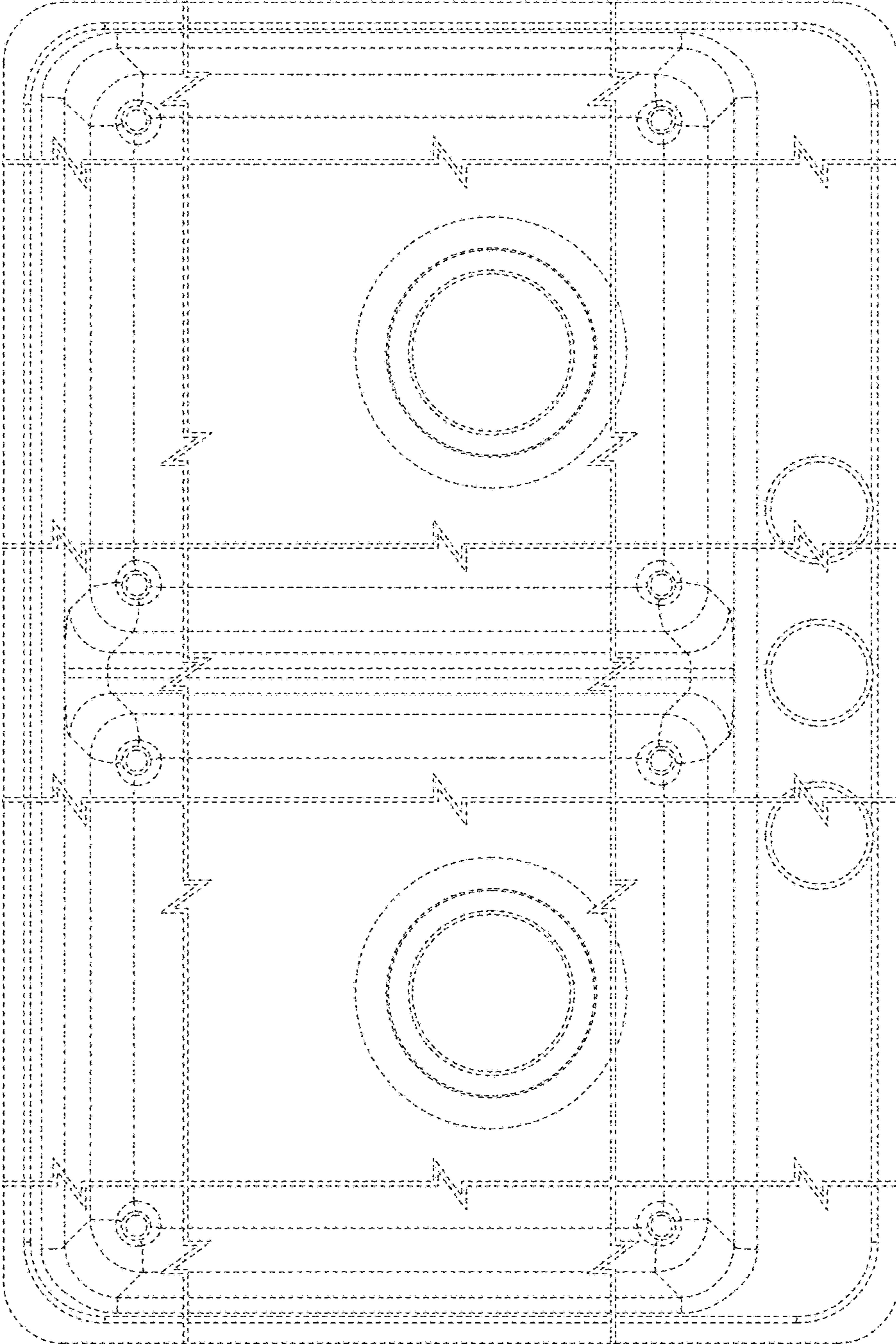


FIG. 8

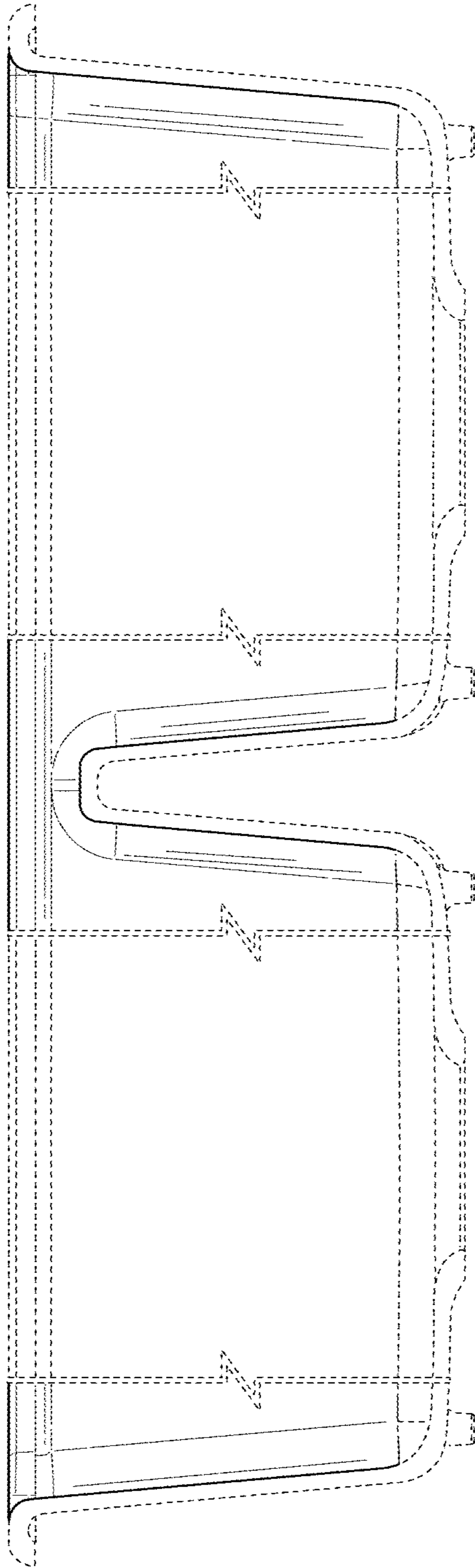


FIG. 9

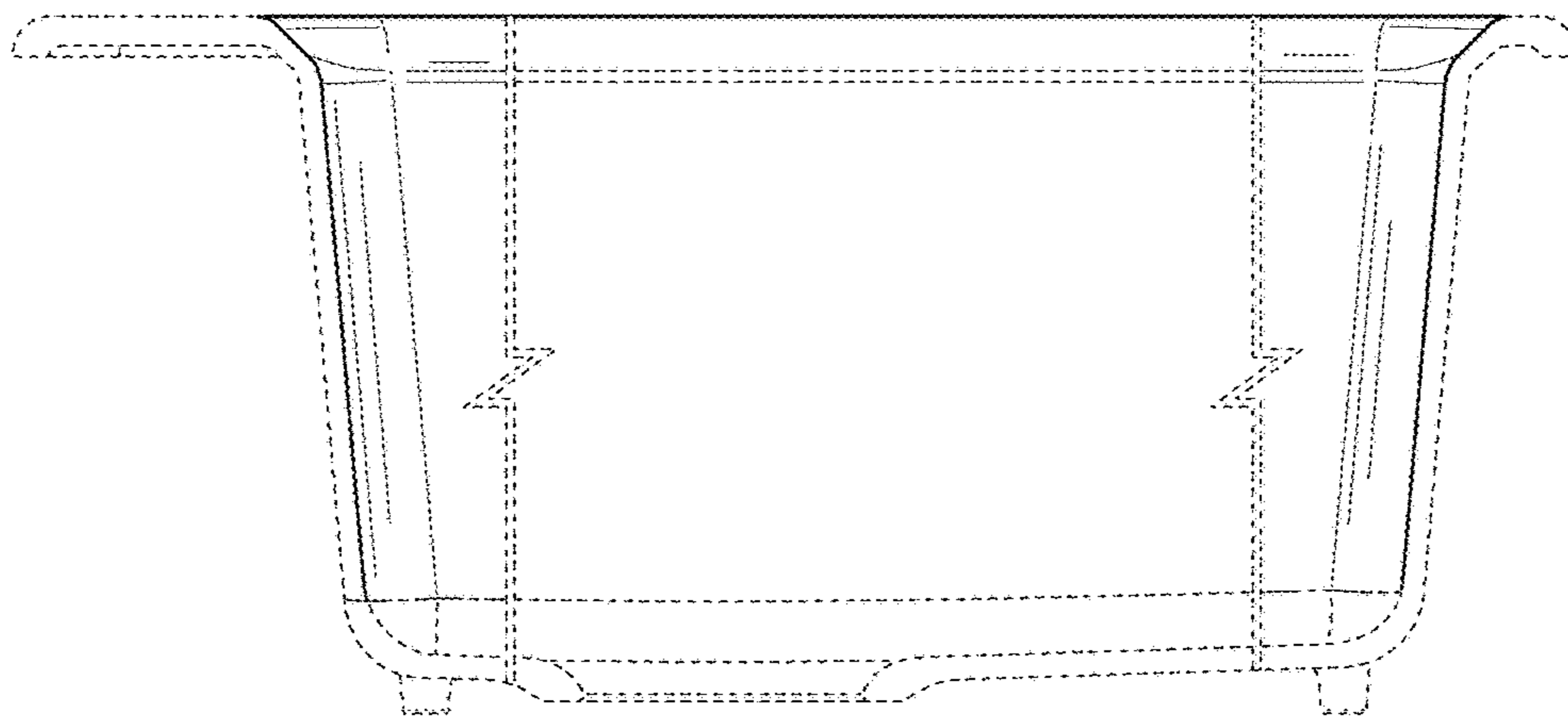


FIG. 10

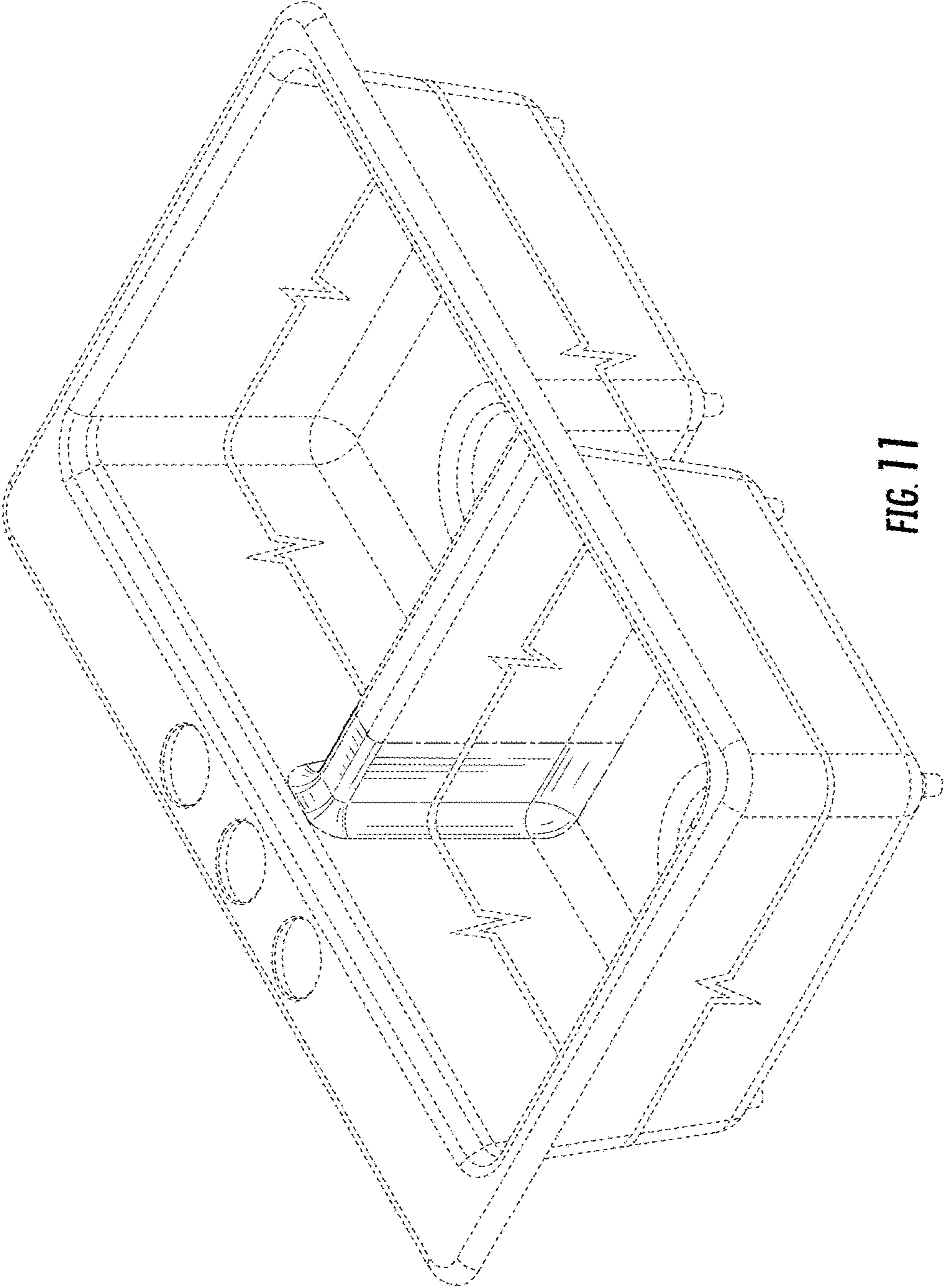


FIG. 11

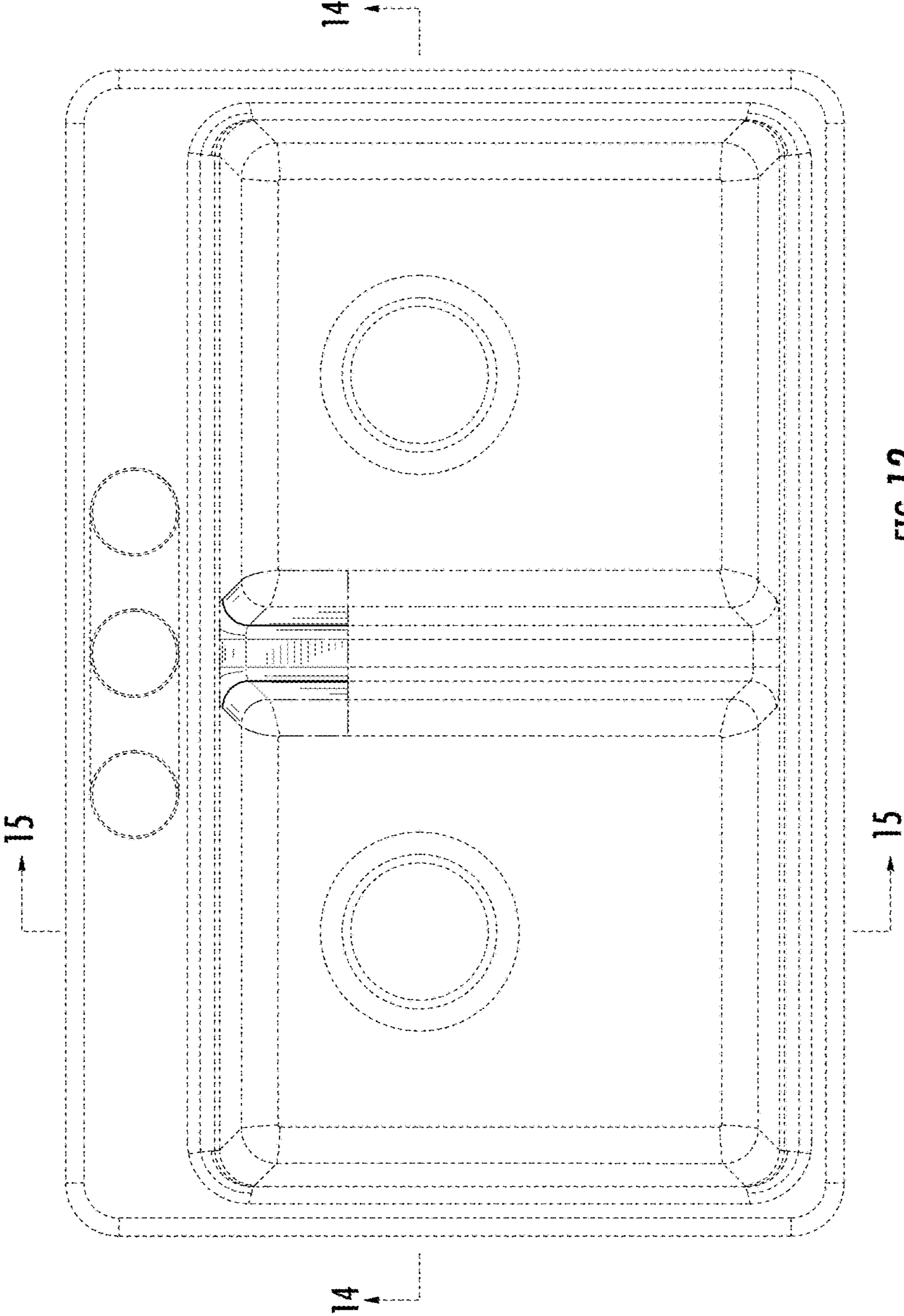


FIG. 12

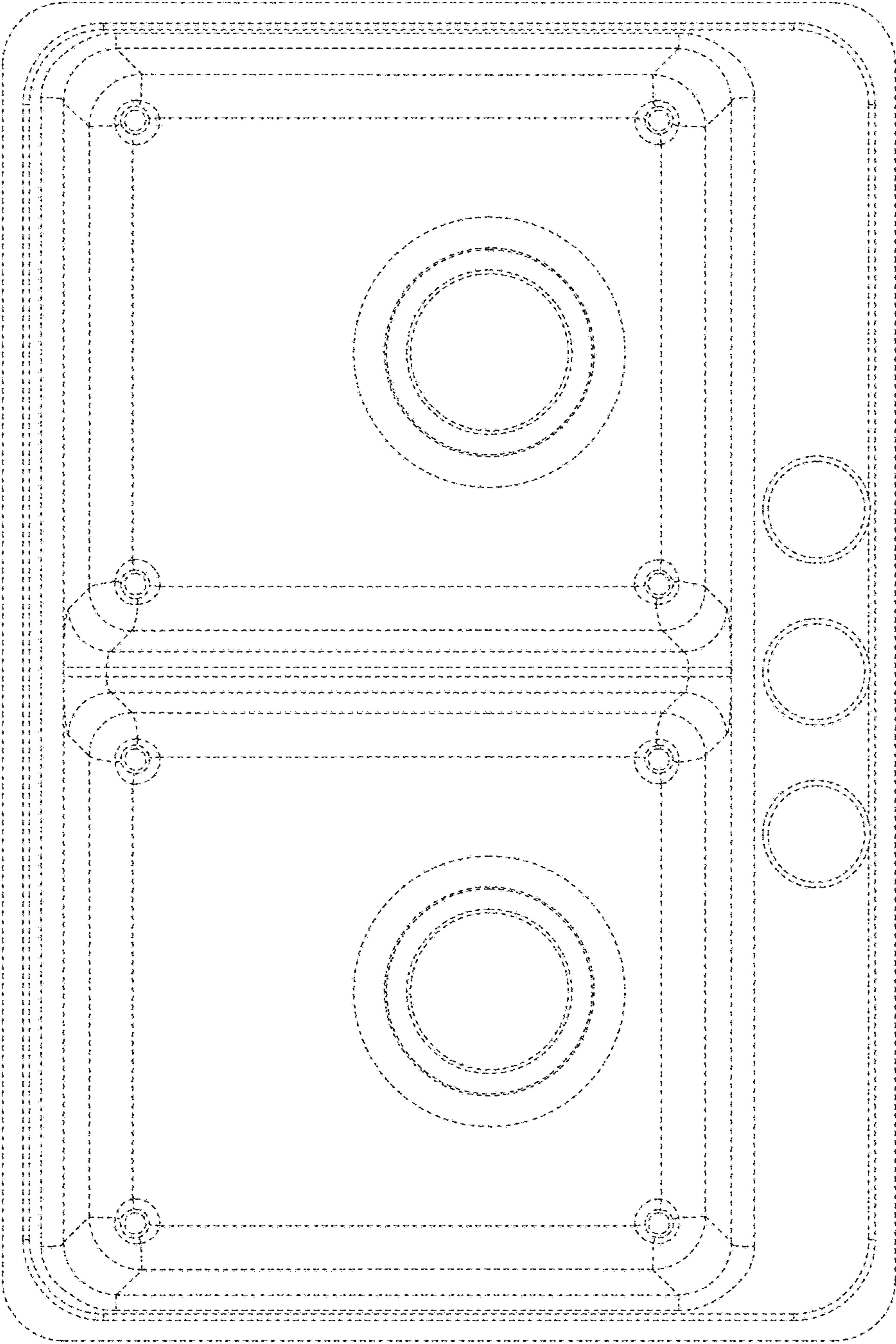


FIG. 13

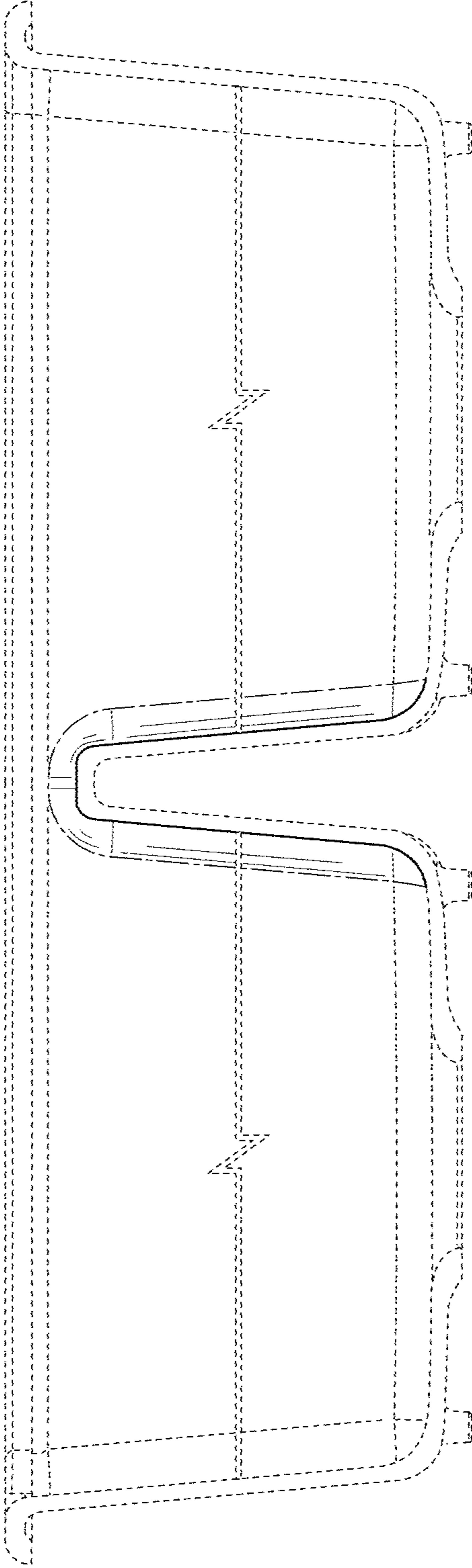


FIG. 14

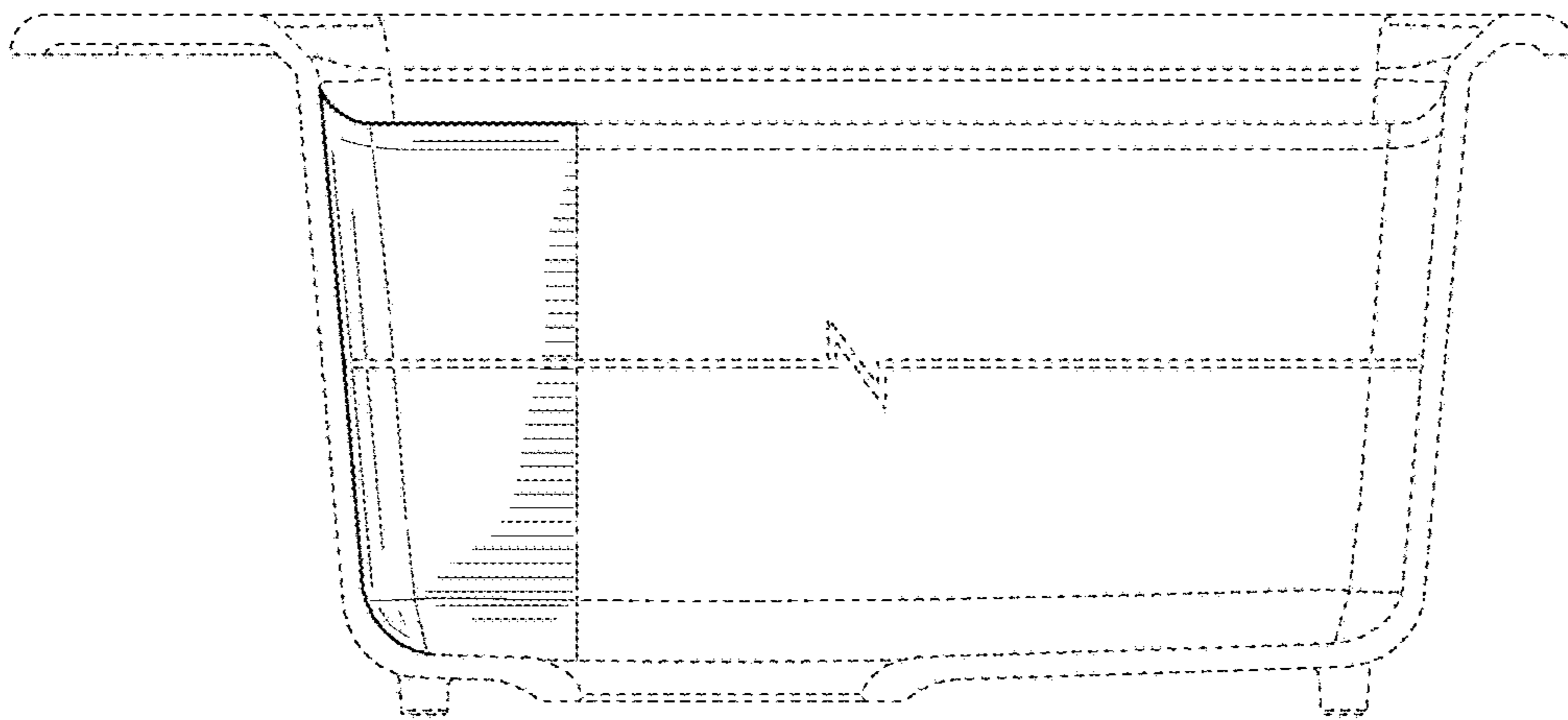


FIG. 15