



US00D782017S

(12) **United States Design Patent**
Ritch

(10) **Patent No.:** **US D782,017 S**

(45) **Date of Patent:** **** Mar. 21, 2017**

(54) **WATER FOUNTAIN AND FAUCET**

(71) Applicant: **JOBAR INTERNATIONAL, INC.**,
Carson, CA (US)

(72) Inventor: **Stephen J. Ritch**, Huntington Beach,
CA (US)

(73) Assignee: **Jobar International, Inc.**, Carson, CA
(US)

(**) Term: **15 Years**

(21) Appl. No.: **29/547,001**

(22) Filed: **Nov. 30, 2015**

(51) **LOC (10) Cl.** **23-02**

(52) **U.S. Cl.**
USPC **D23/293.1**

(58) **Field of Classification Search**
USPC D23/272-274, 284, 286, 293.1, 303, 308
CPC ... E03D 11/12; E03C 1/14; E03C 1/18; E03C
1/182

See application file for complete search history.

(56) **References Cited**

U.S. PATENT DOCUMENTS

D433,109 S	*	10/2000	Wilke	D23/284
D494,663 S	*	8/2004	Kakahana	D23/292
D556,868 S	*	12/2007	Tortorello	D23/284
D653,313 S	*	1/2012	Kohler, Jr.	D23/293.1
D697,595 S	*	1/2014	Spangler	D23/284

OTHER PUBLICATIONS

Jobar International, Inc.; Drinking Fountain & Faucet; Advertising;
2003; 1 page.

* cited by examiner

Primary Examiner — Robert Delehanty

(74) *Attorney, Agent, or Firm* — Lewis Roca Rothgerber
Christie LLP

(57) **CLAIM**

The ornamental design for a water fountain and faucet, as
shown and described.

DESCRIPTION

FIG. 1 is a perspective view of a first embodiment of a water
fountain and faucet design;

FIG. 2 is a top view of a first embodiment thereof;

FIG. 3 is a front view of a first embodiment thereof;

FIG. 4 is a left side view of a first embodiment thereof;

FIG. 5 is a rear view of a first embodiment thereof;

FIG. 6 is a right side view of a first embodiment thereof;

FIG. 7 is a bottom view of a first embodiment thereof;

FIG. 8 is a perspective view of a second embodiment of a
water fountain and faucet design;

FIG. 9 is a top view of a second embodiment thereof;

FIG. 10 is a front view of a second embodiment thereof;

FIG. 11 is a left side view of a second embodiment thereof;

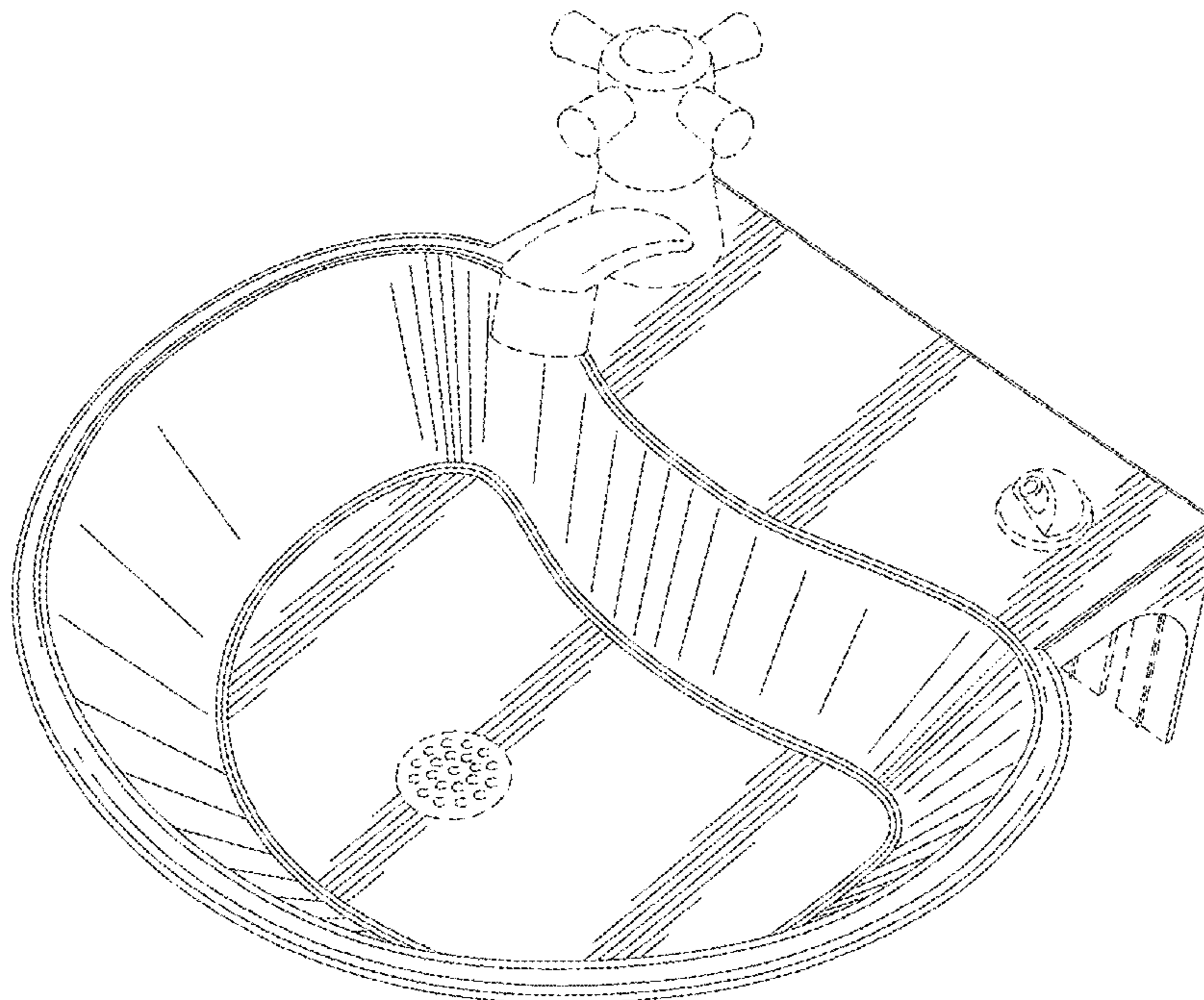
FIG. 12 is a rear view of a second embodiment thereof;

FIG. 13 is a right side view of a second embodiment thereof;
and,

FIG. 14 is a bottom view of a second embodiment thereof.

The broken lines shown represent unclaimed subject matter
and form no part of the claimed design.

1 Claim, 14 Drawing Sheets



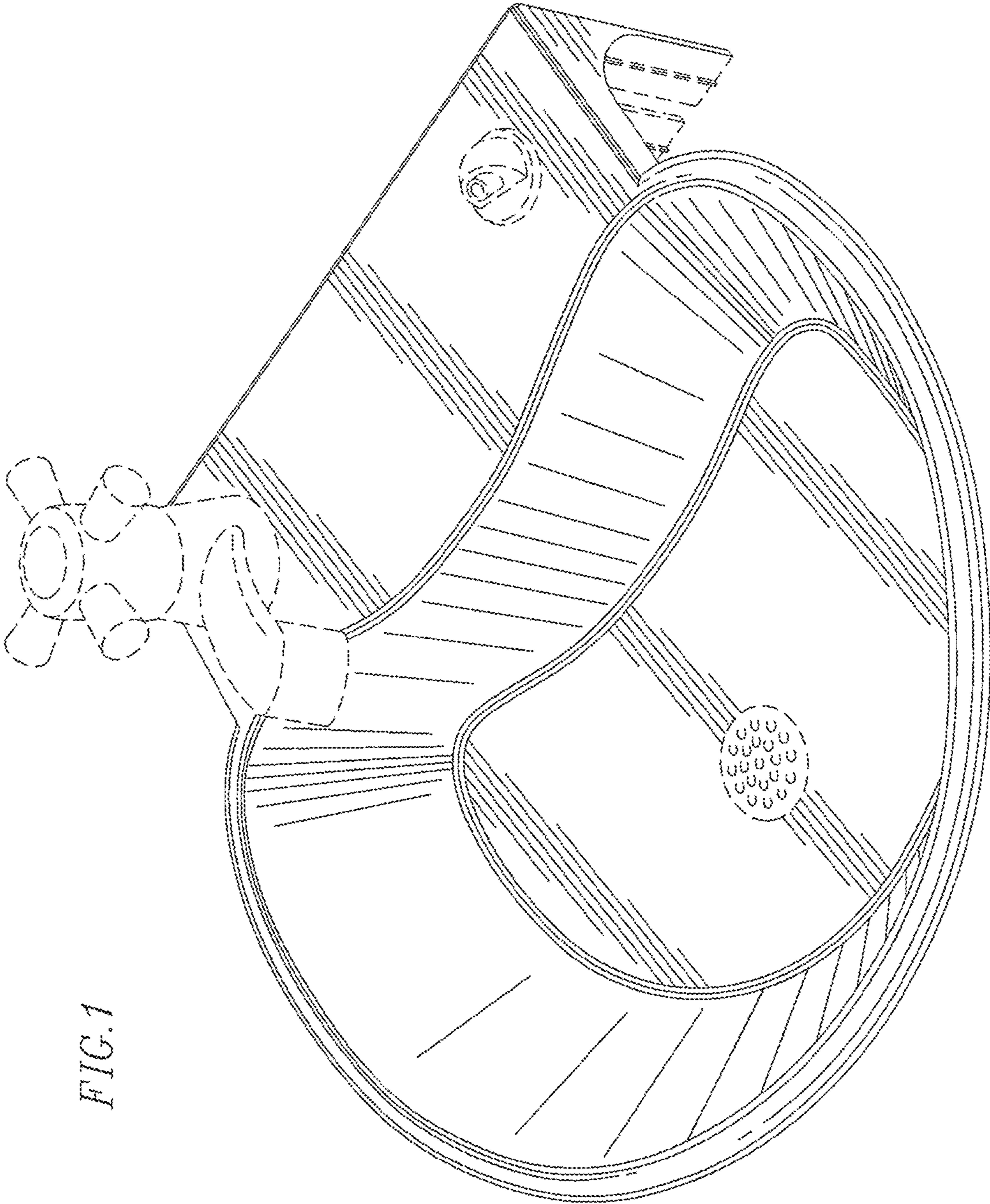


FIG. 1

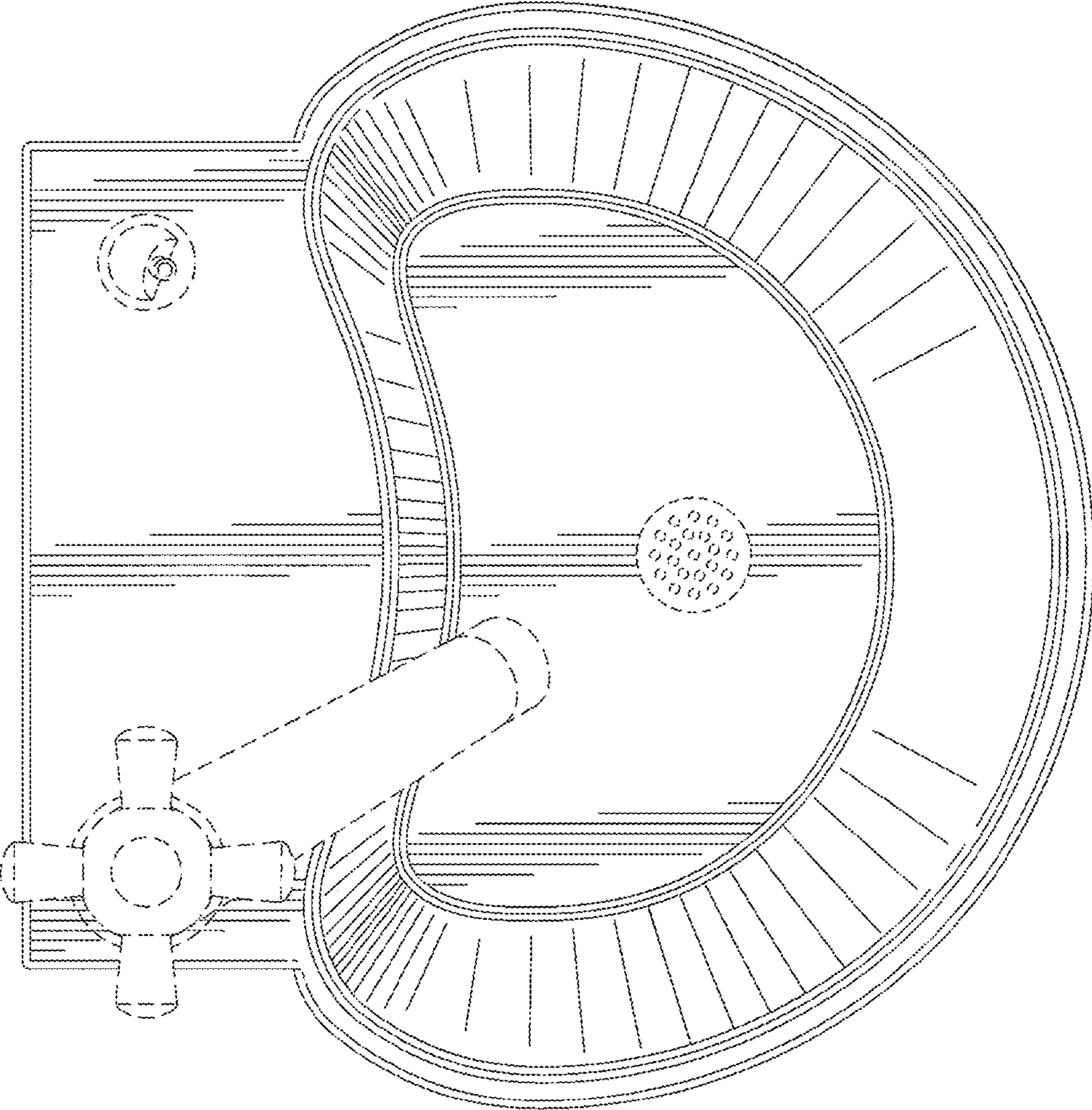


FIG. 2

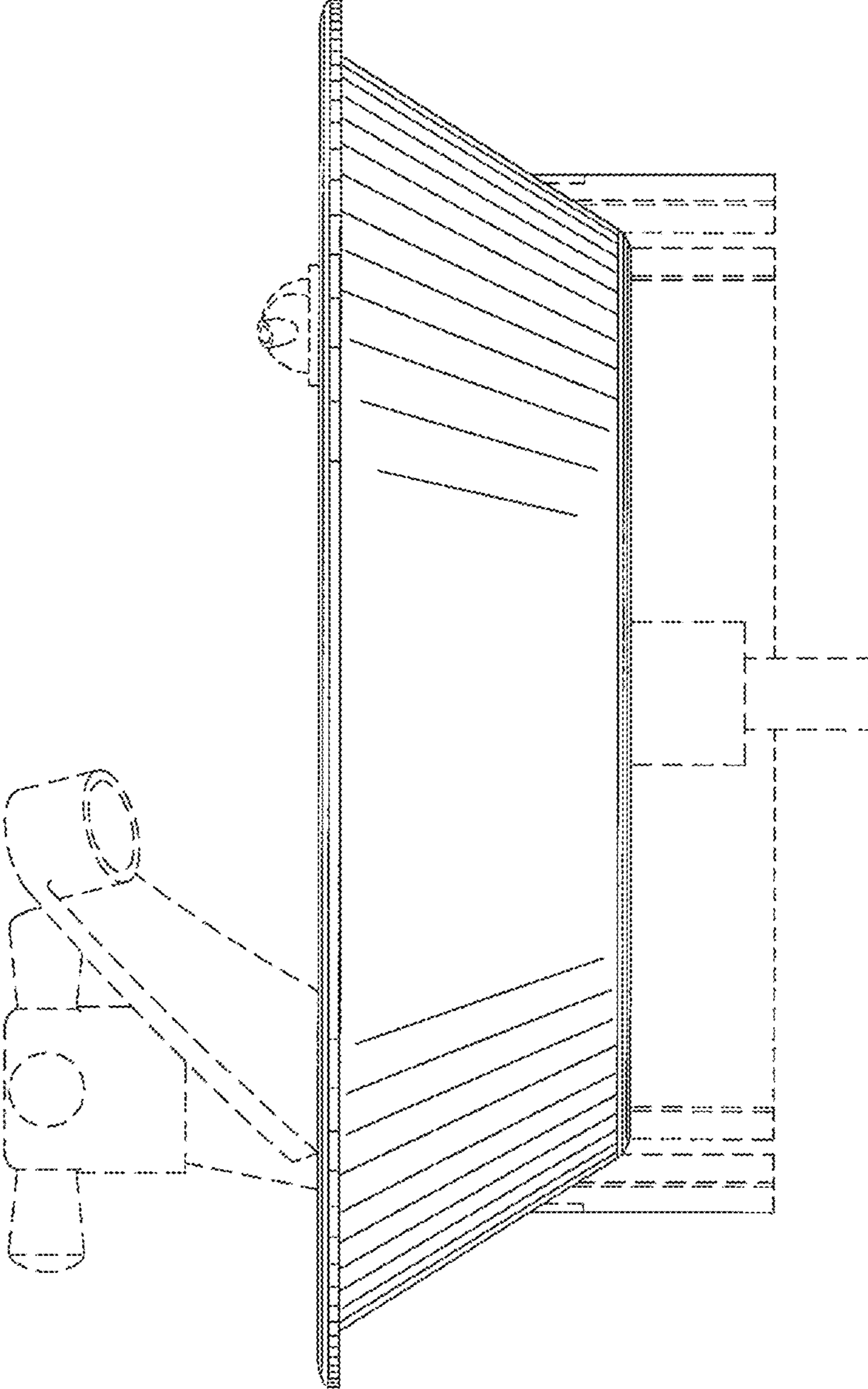


FIG. 3

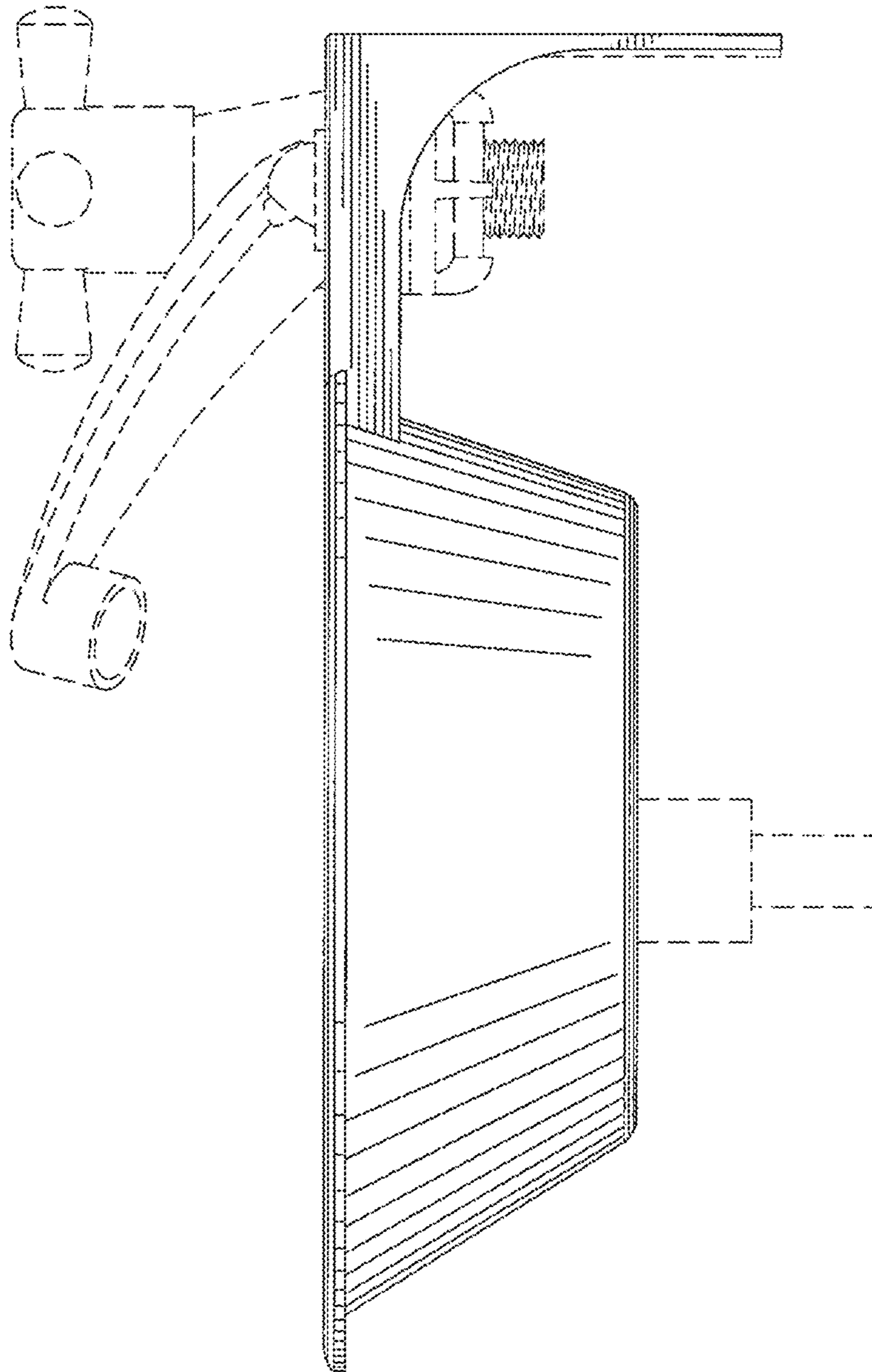


FIG. 4

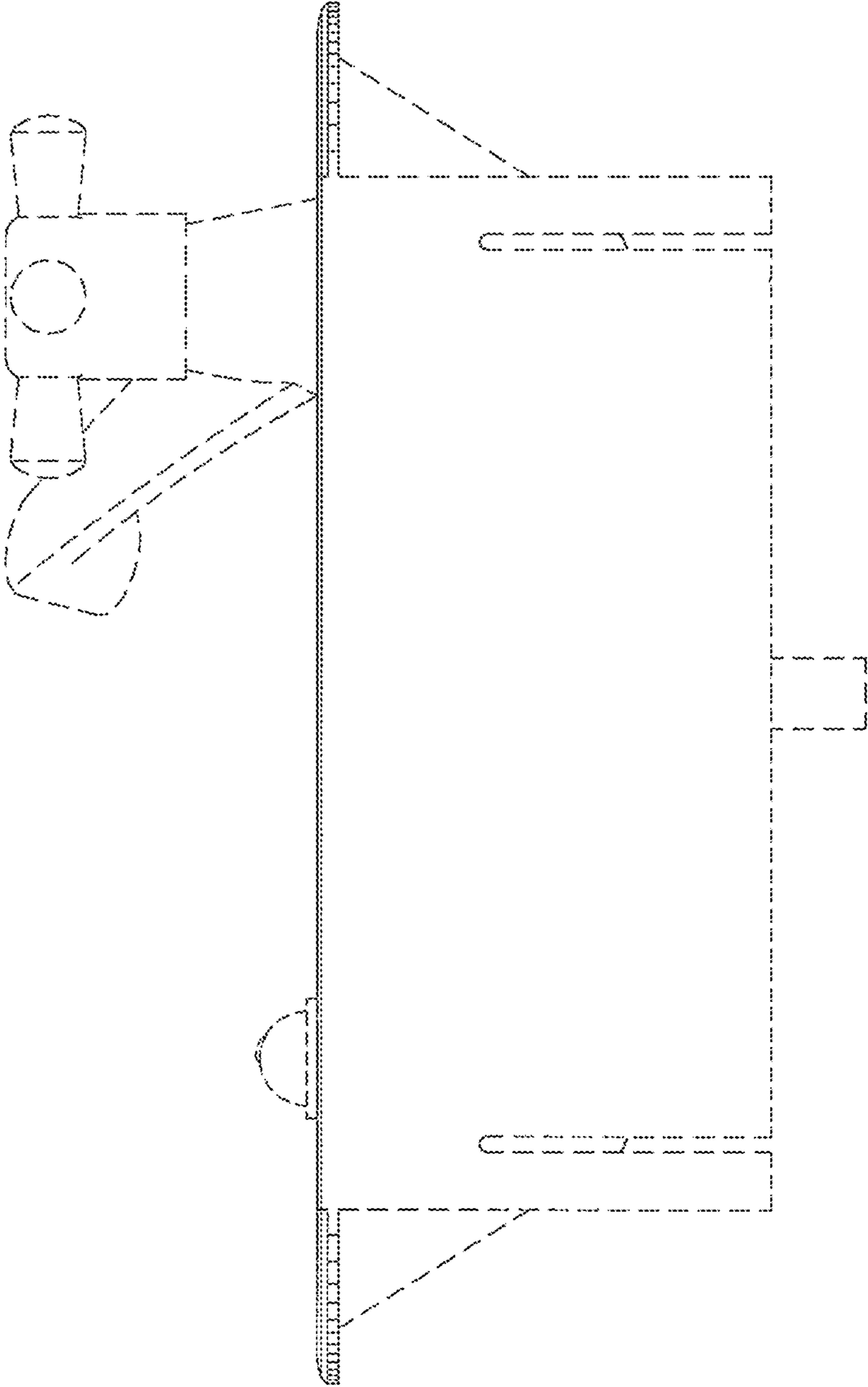


FIG. 5

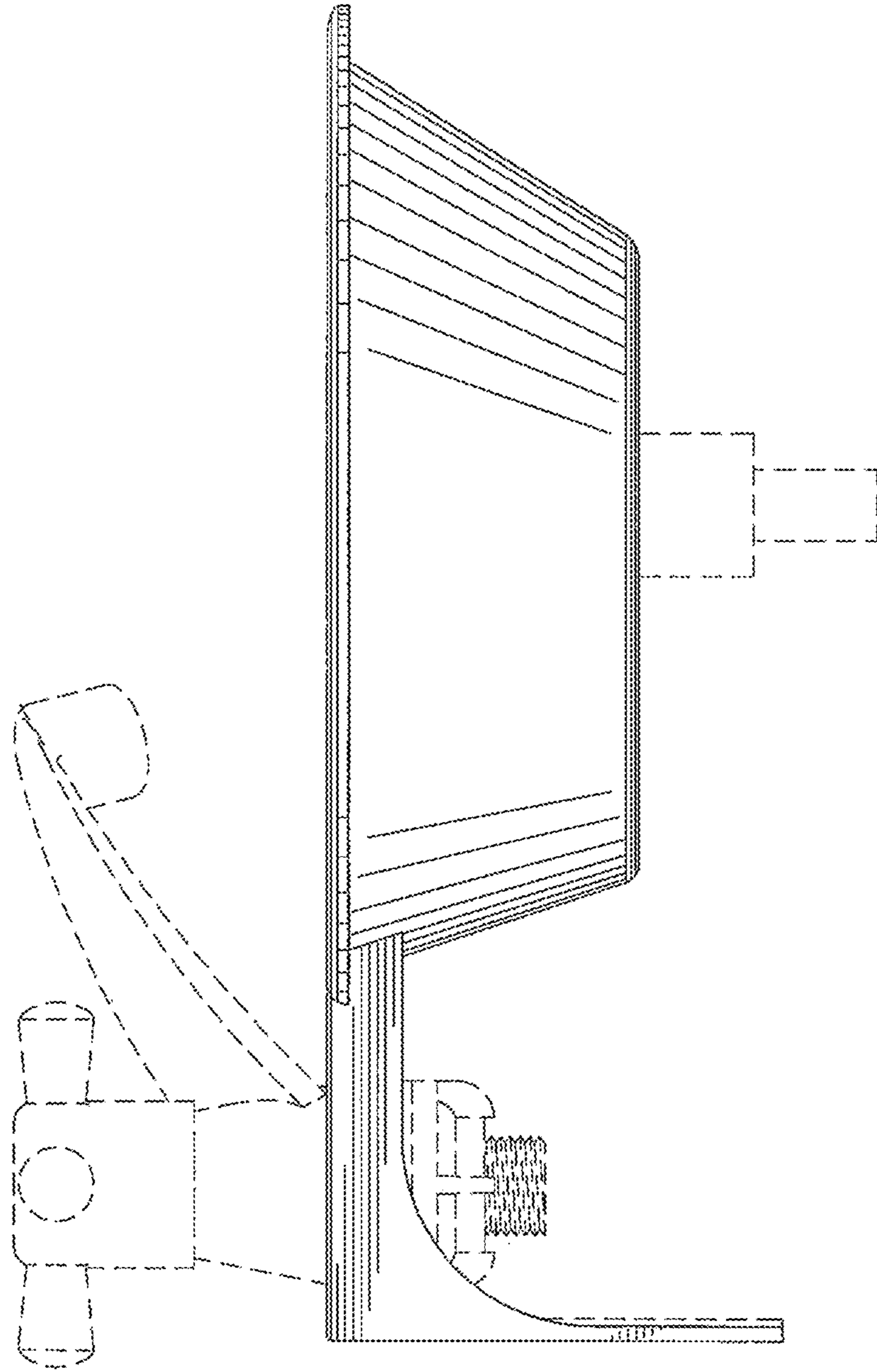


FIG. 6

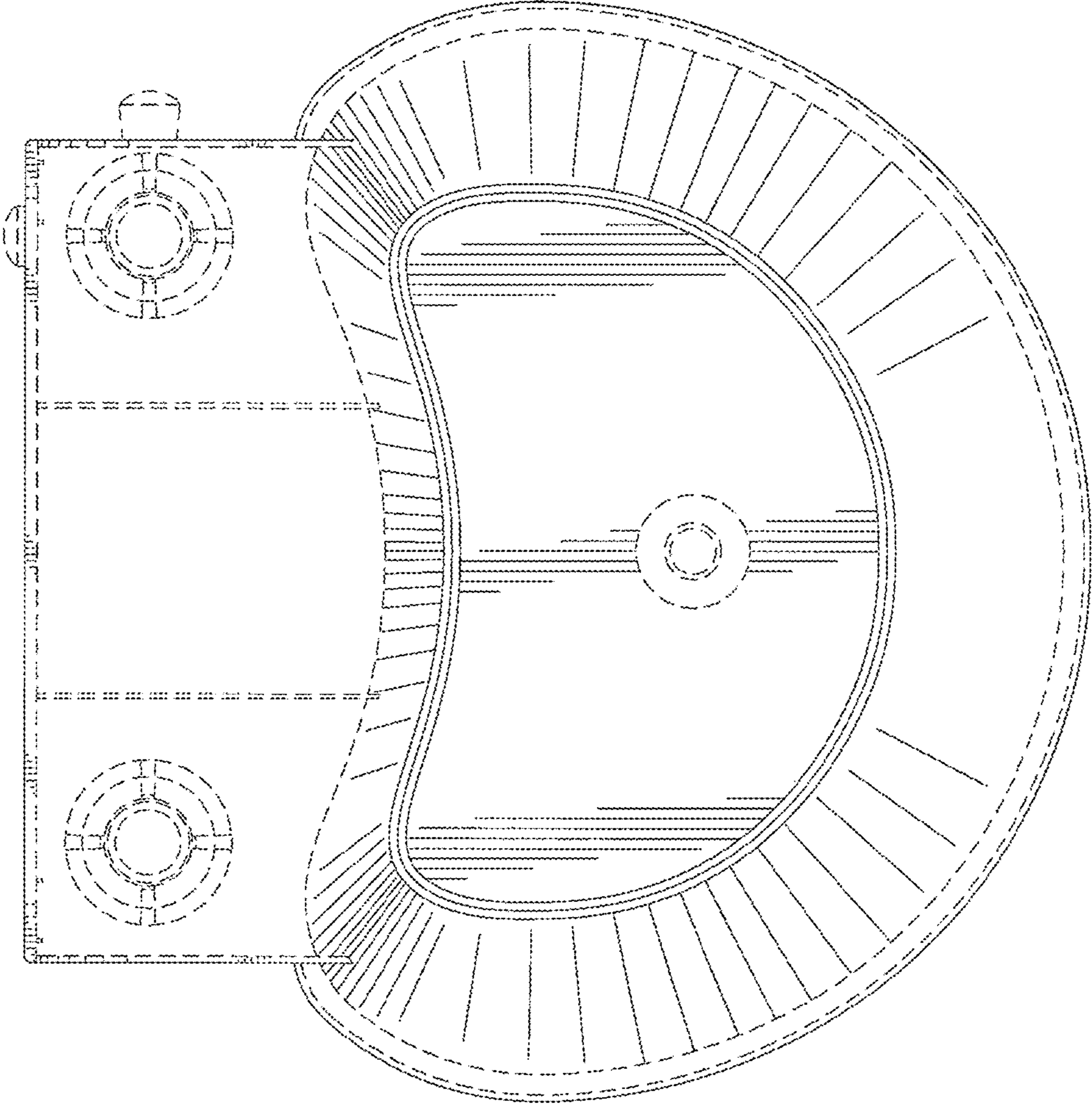


FIG. 7

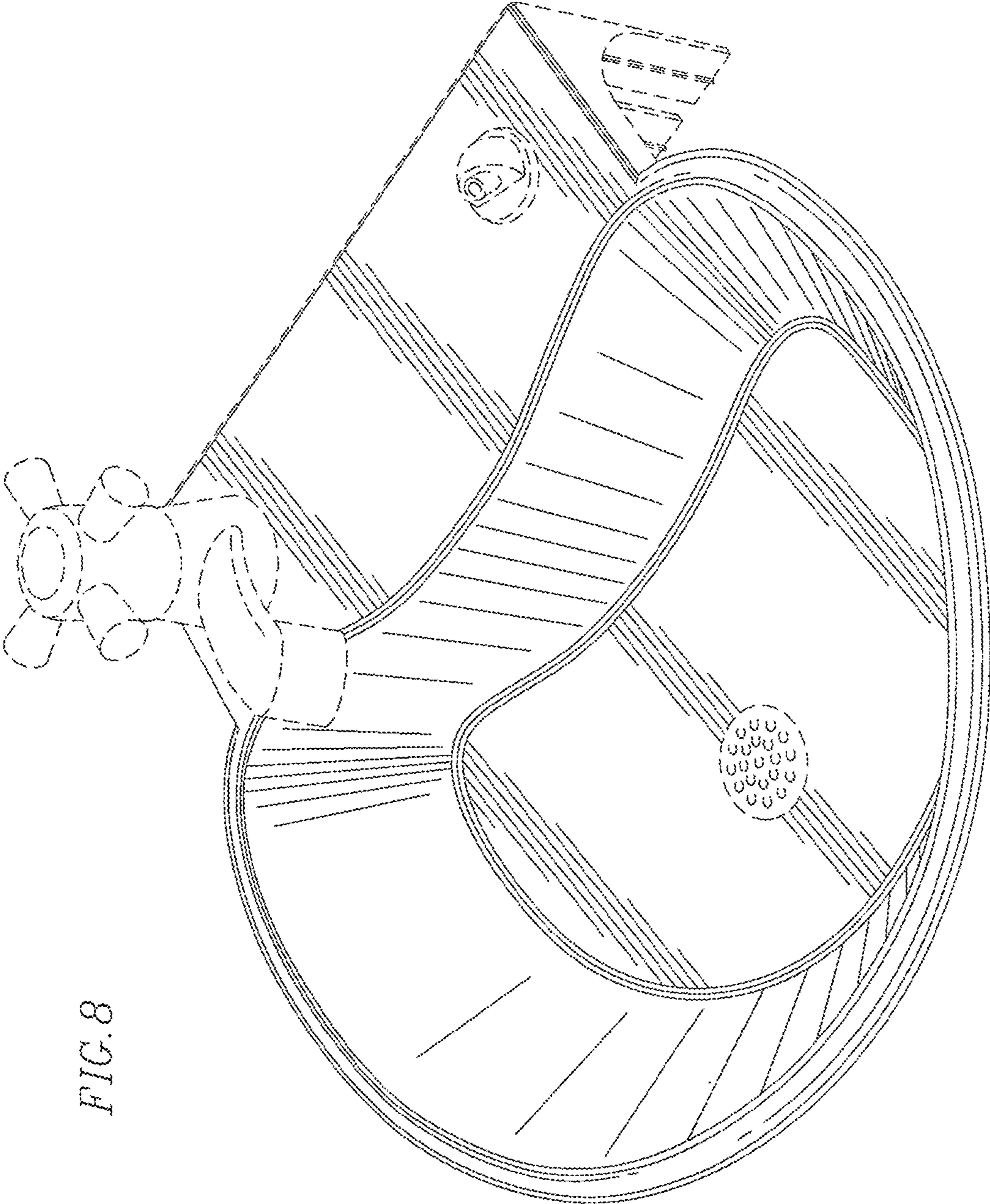


FIG. 8

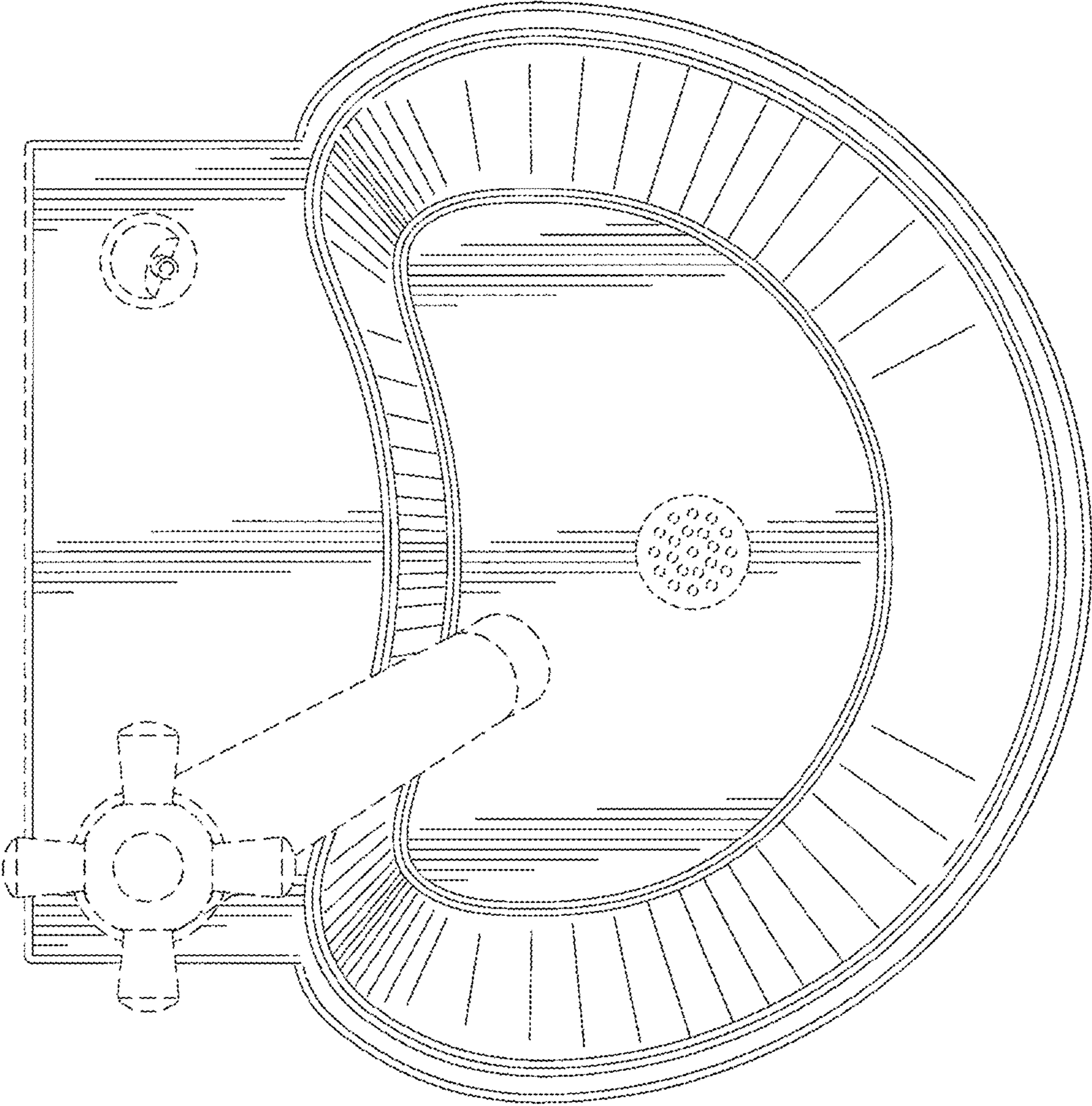


FIG. 9

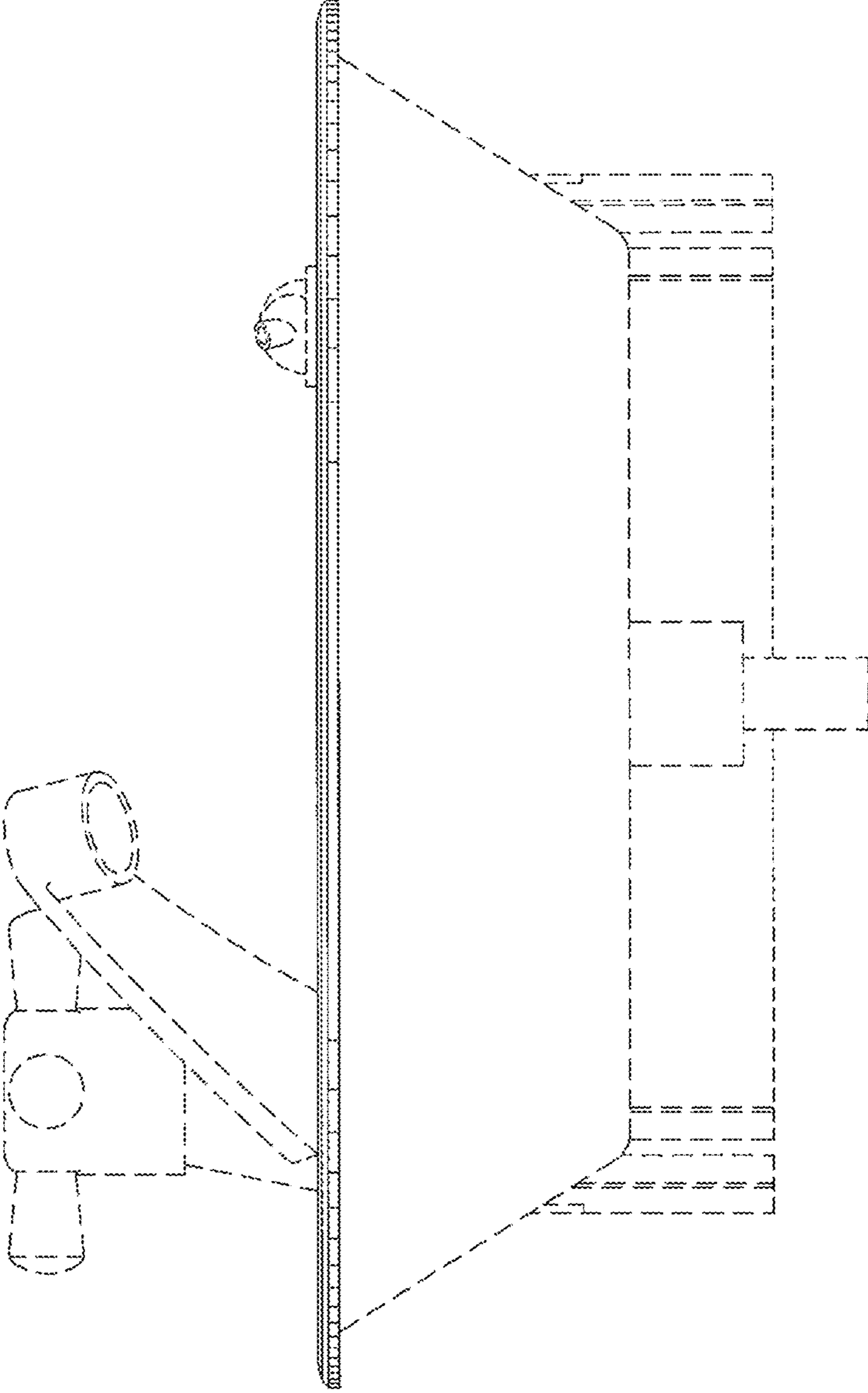


FIG. 10

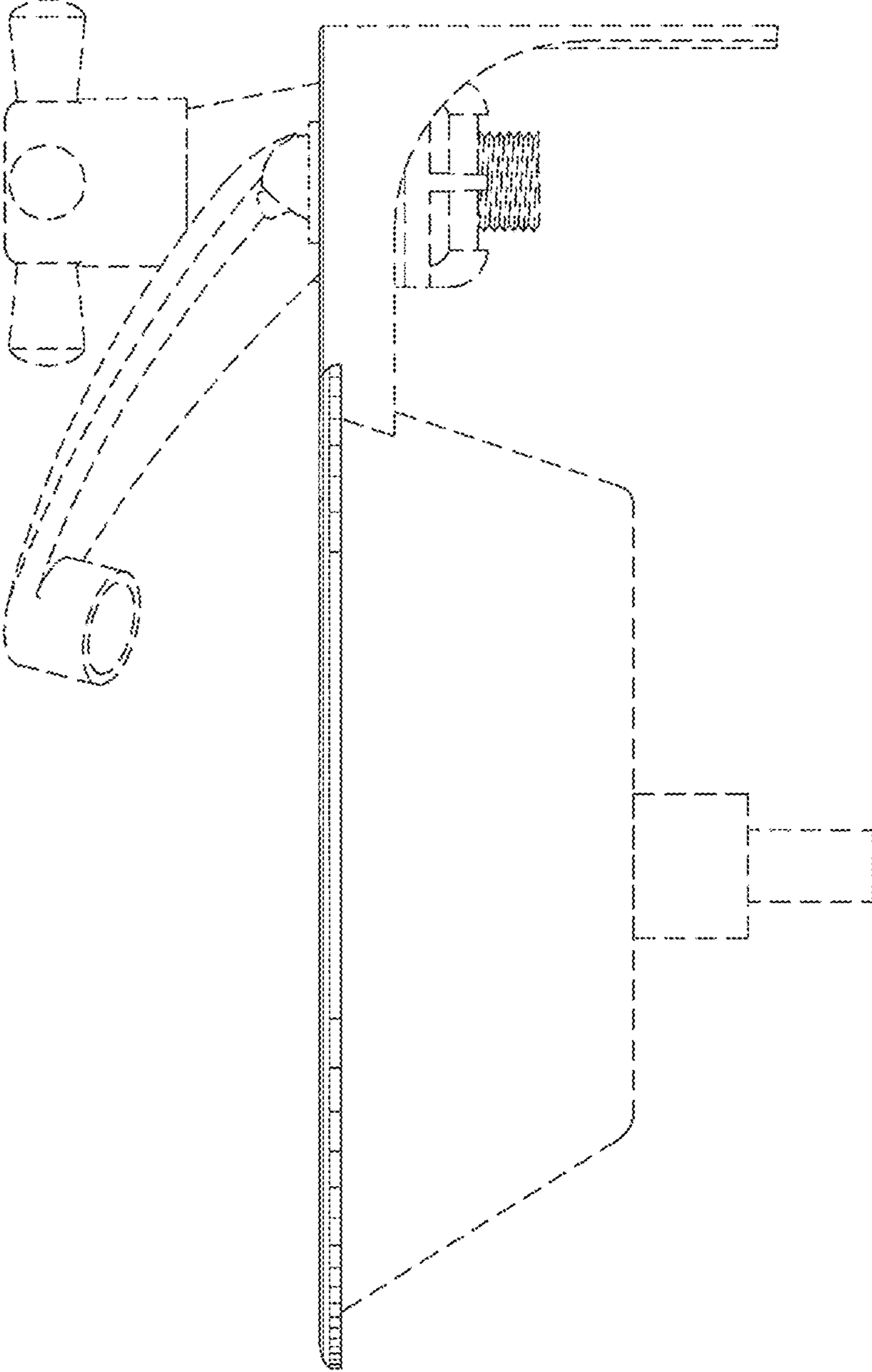


FIG. 11

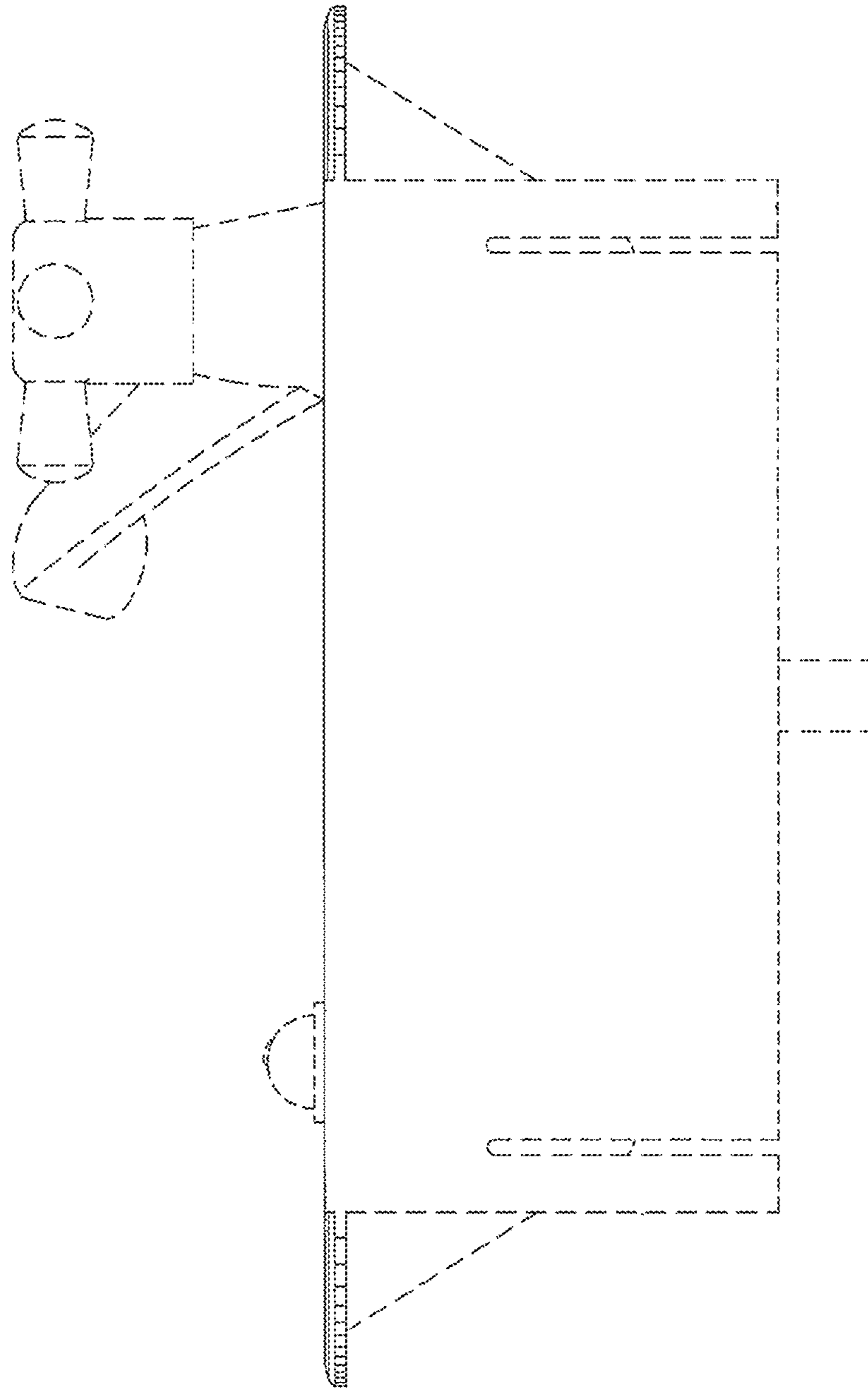


FIG. 12

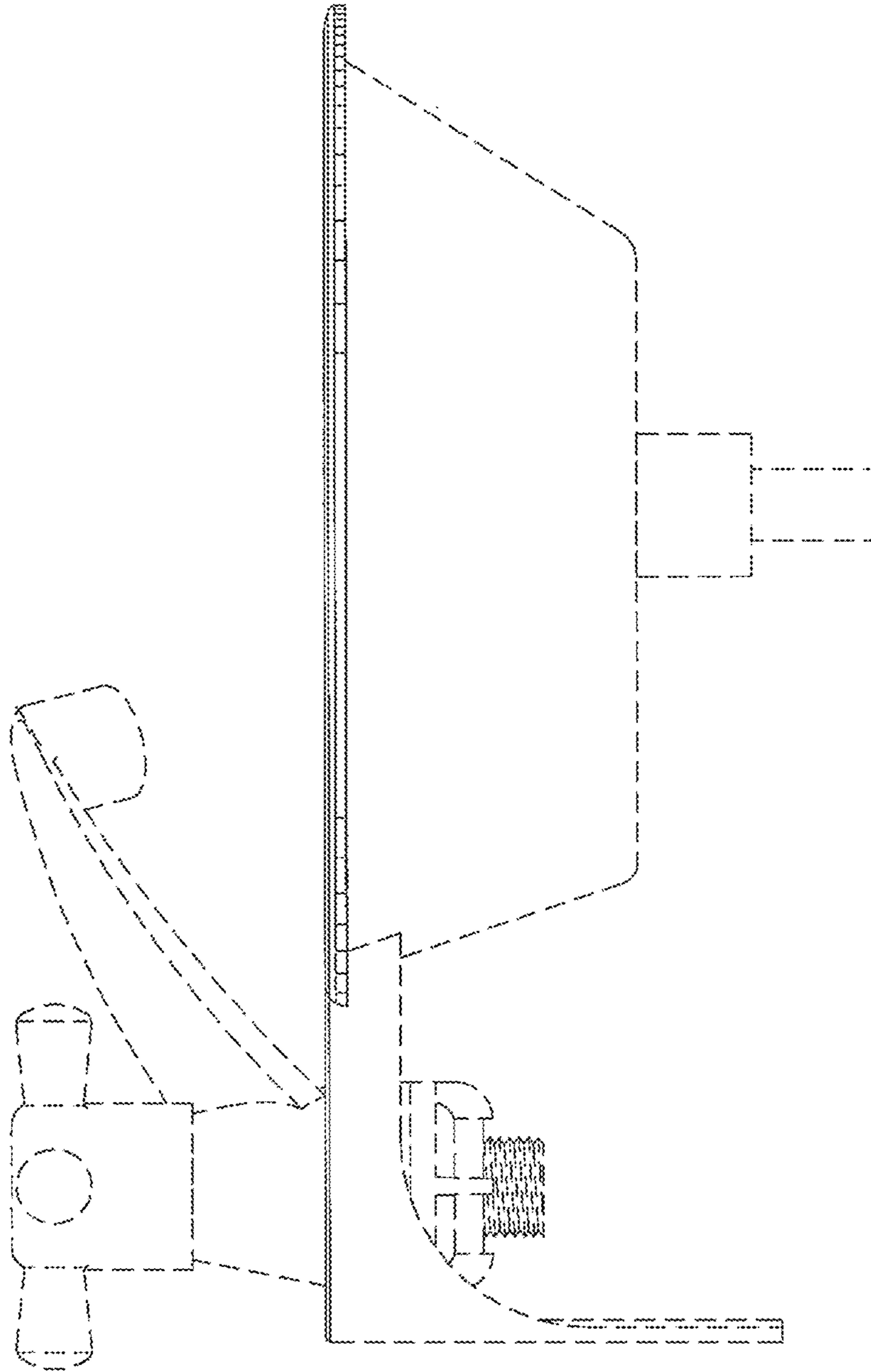


FIG. 13

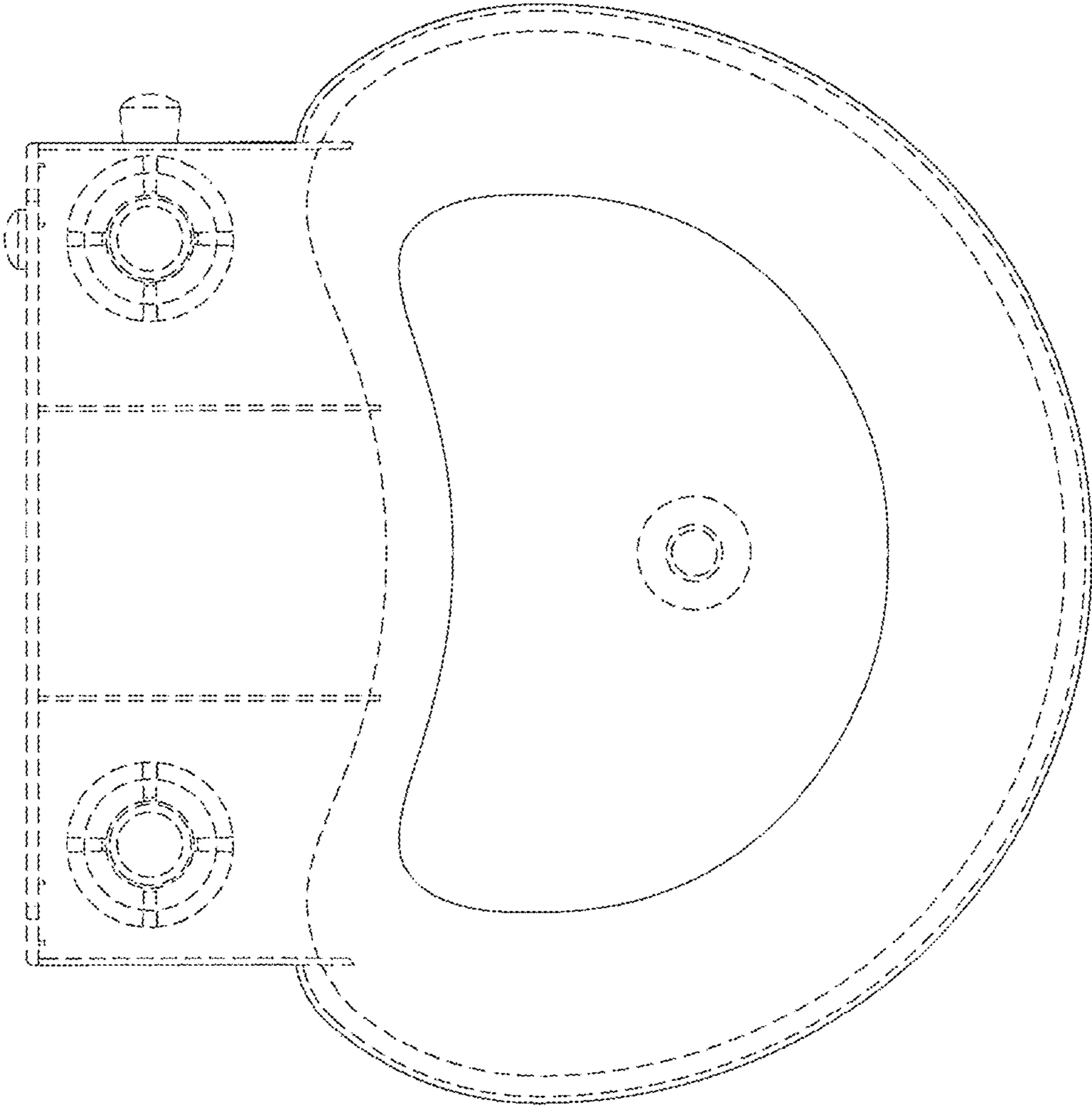


FIG. 14