



US00D782013S

(12) **United States Design Patent**
Eads

(10) **Patent No.:** **US D782,013 S**

(45) **Date of Patent:** **** Mar. 21, 2017**

(54) **SPOUT**

(71) Applicant: **DELTA FAUCET COMPANY,**
Indianapolis, IN (US)

(72) Inventor: **Thad Eads,** North Manchester, IN (US)

(73) Assignee: **DELTA FAUCET COMPANY,**
Indianapolis, IN (US)

(**) Term: **15 Years**

(21) Appl. No.: **29/551,093**

(22) Filed: **Jan. 11, 2016**

(51) **LOC (10) Cl.** **23-01**

(52) **U.S. Cl.**
USPC **D23/255**

(58) **Field of Classification Search**
USPC D23/238, 241–243, 249, 255, 257
CPC E03C 1/04; E03C 1/0401; E03C 1/0402;
E03C 1/0404; F16K 31/602; F16K
31/605; F16K 31/607
See application file for complete search history.

(56) **References Cited**

U.S. PATENT DOCUMENTS

D317,349 S * 6/1991 Rodstein D23/242
D517,169 S * 3/2006 Ogata D23/238

D522,092 S * 5/2006 Hoernig D23/238
D575,851 S * 8/2008 Ko D23/241
D583,024 S * 12/2008 Downey D23/255
D678,986 S * 3/2013 Lord D23/255
D691,242 S * 10/2013 Gessi D23/238
D737,941 S * 9/2015 Eads D23/255
D757,231 S * 5/2016 Garland D23/257

* cited by examiner

Primary Examiner — Robert Delehanty

(74) *Attorney, Agent, or Firm* — Edgar A. Zarins; Nirav
D. Parikh

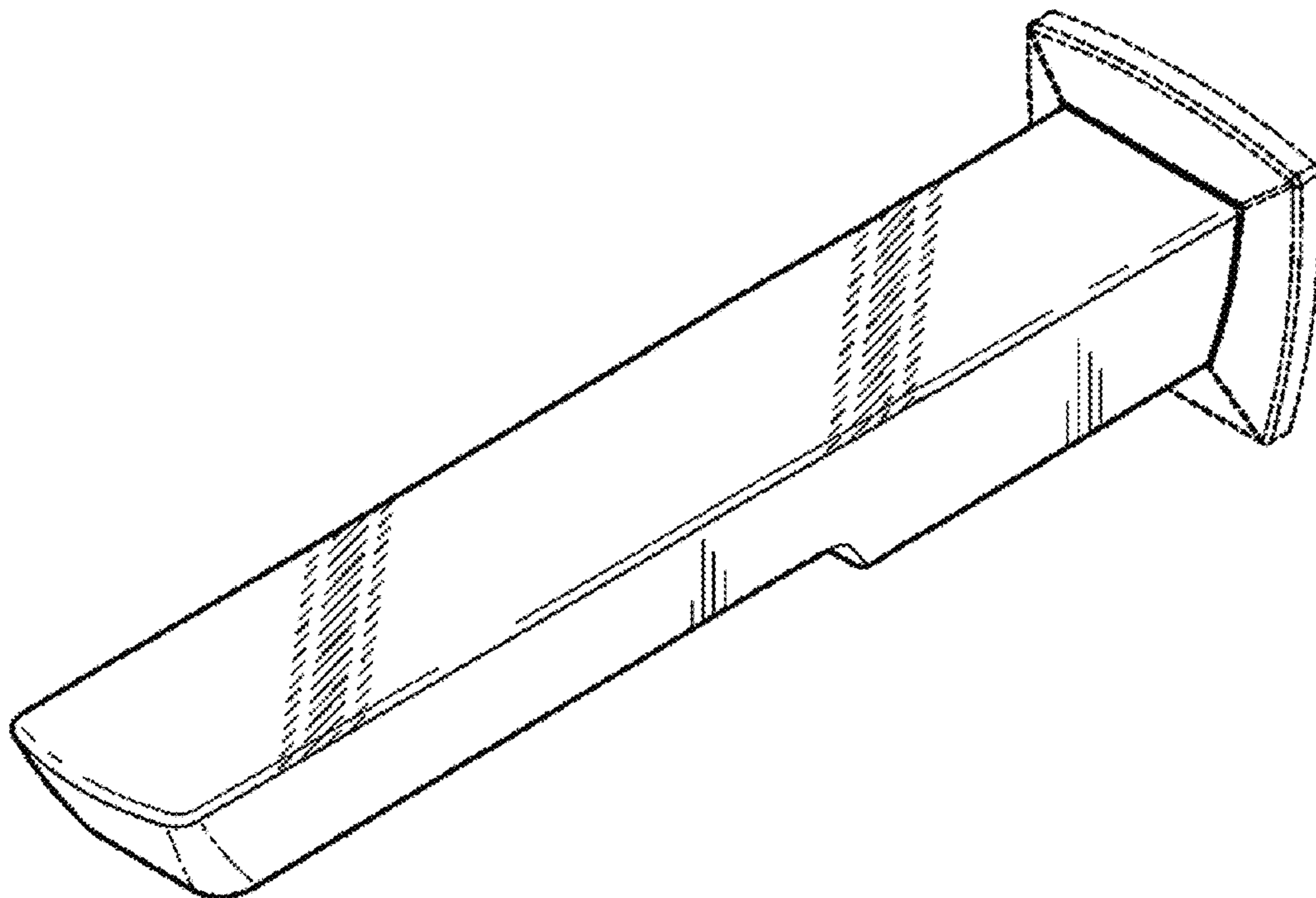
(57) **CLAIM**

The ornamental design for a spout, as shown and described.

DESCRIPTION

FIG. 1 is a perspective view of a first embodiment of a spout showing my new design;
FIG. 2 is a top plan view thereof;
FIG. 3 is a bottom view thereof;
FIG. 4 is a left side view thereof, the opposite side being a mirror image of the side shown;
FIG. 5 is a front end view thereof; and,
FIG. 6 is a rear view thereof.

1 Claim, 2 Drawing Sheets



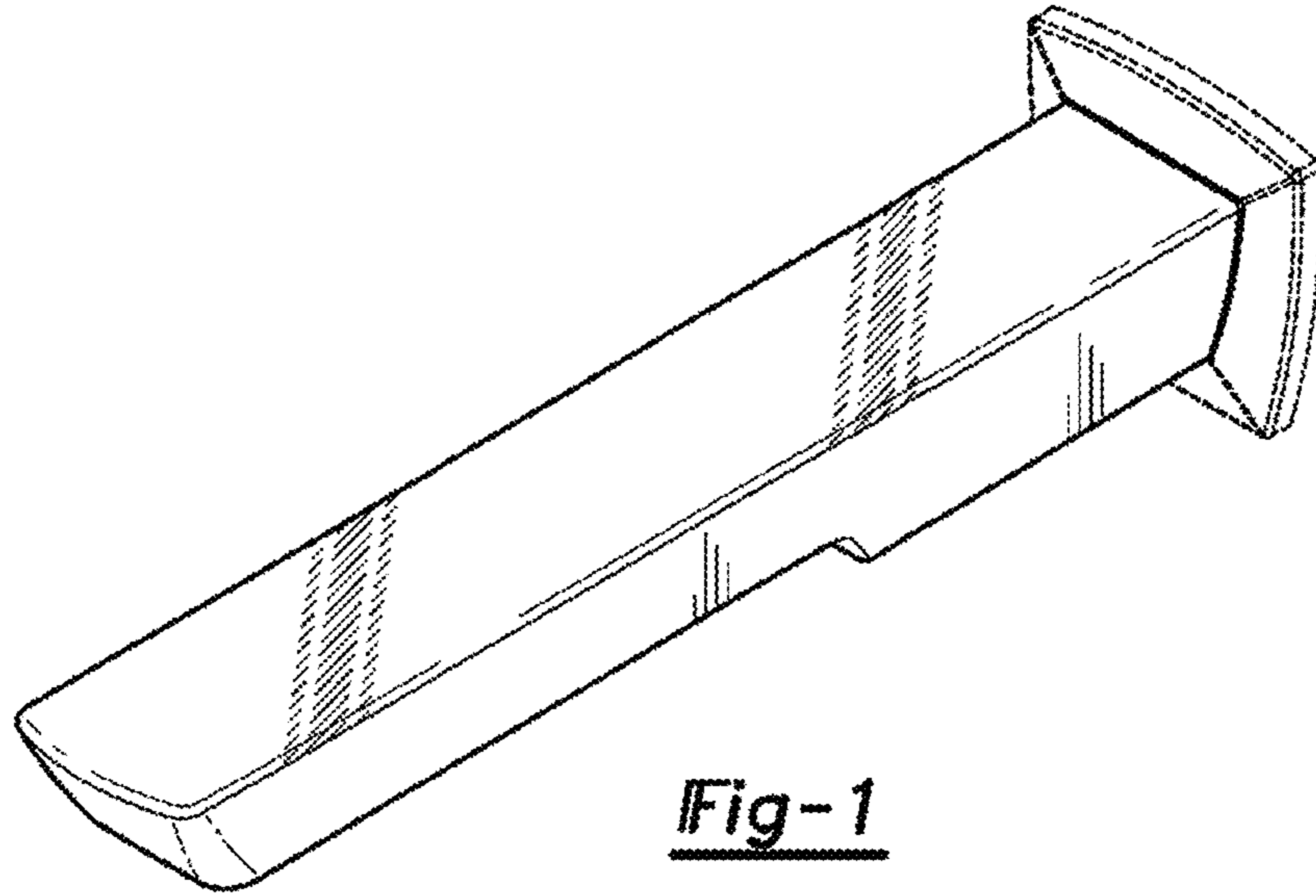


Fig-1

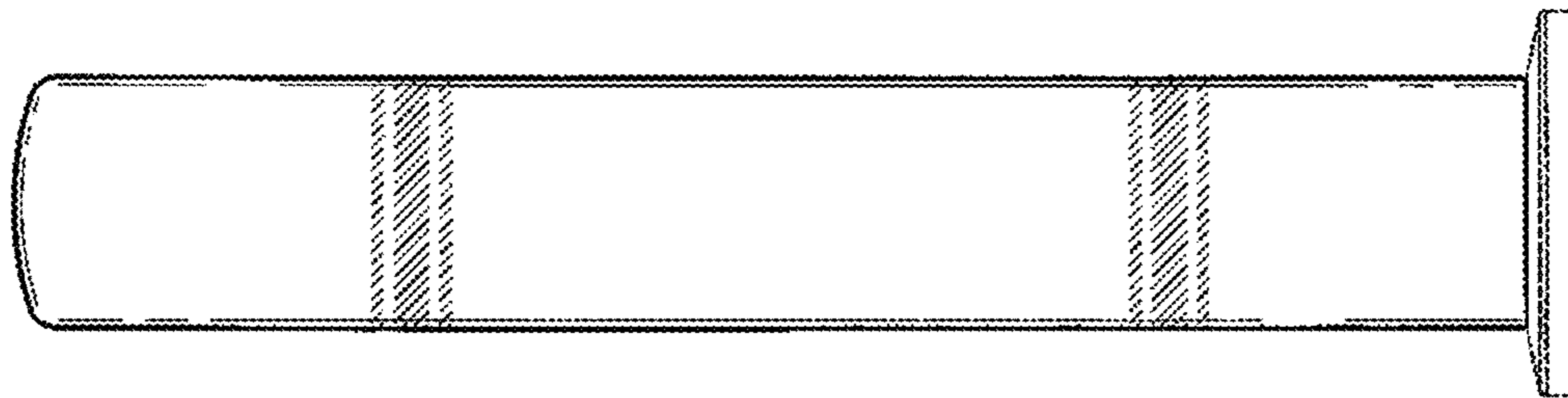


Fig-2

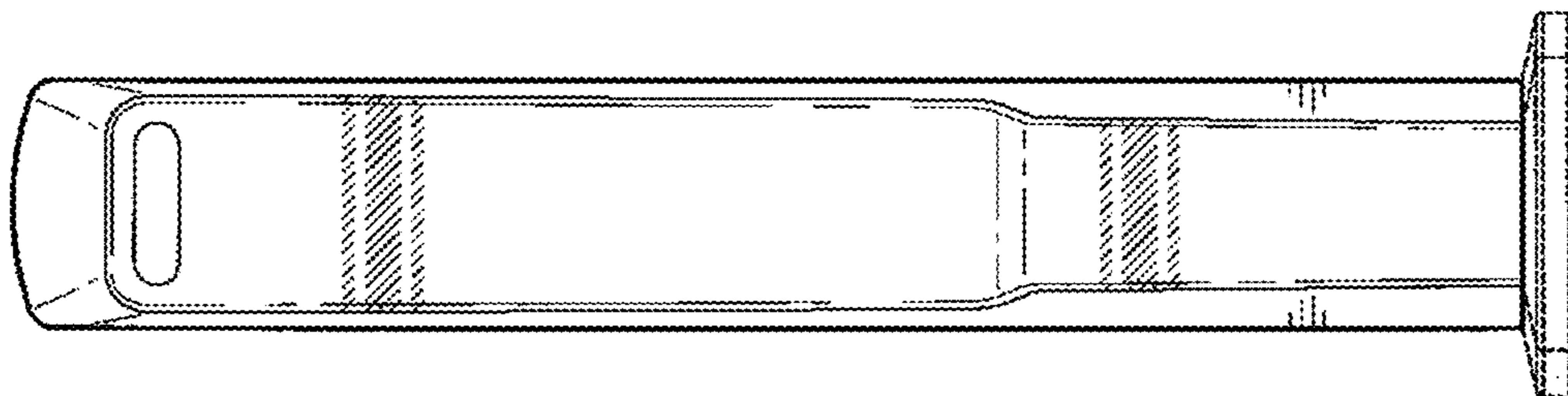


Fig-3

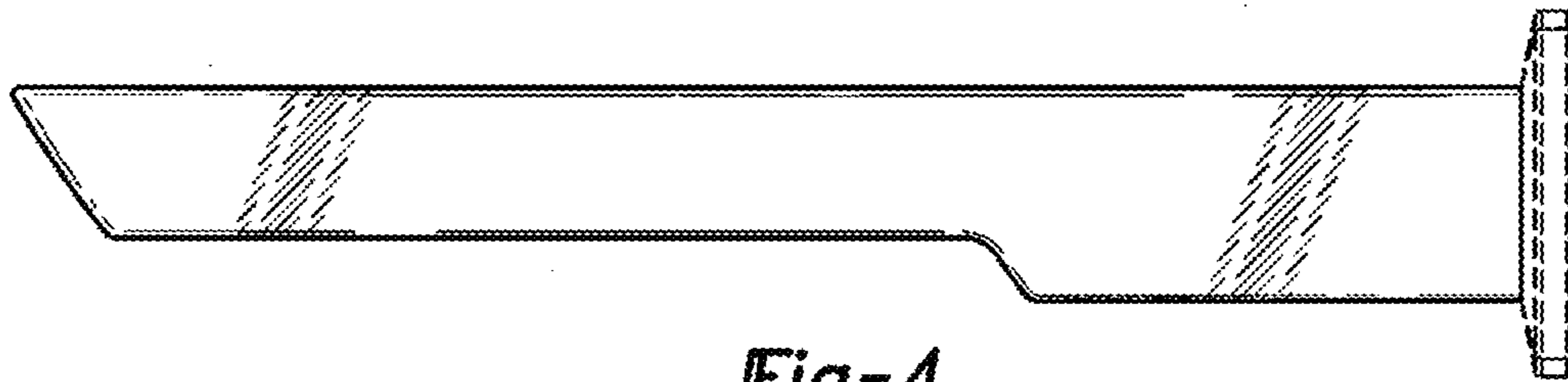


Fig-4

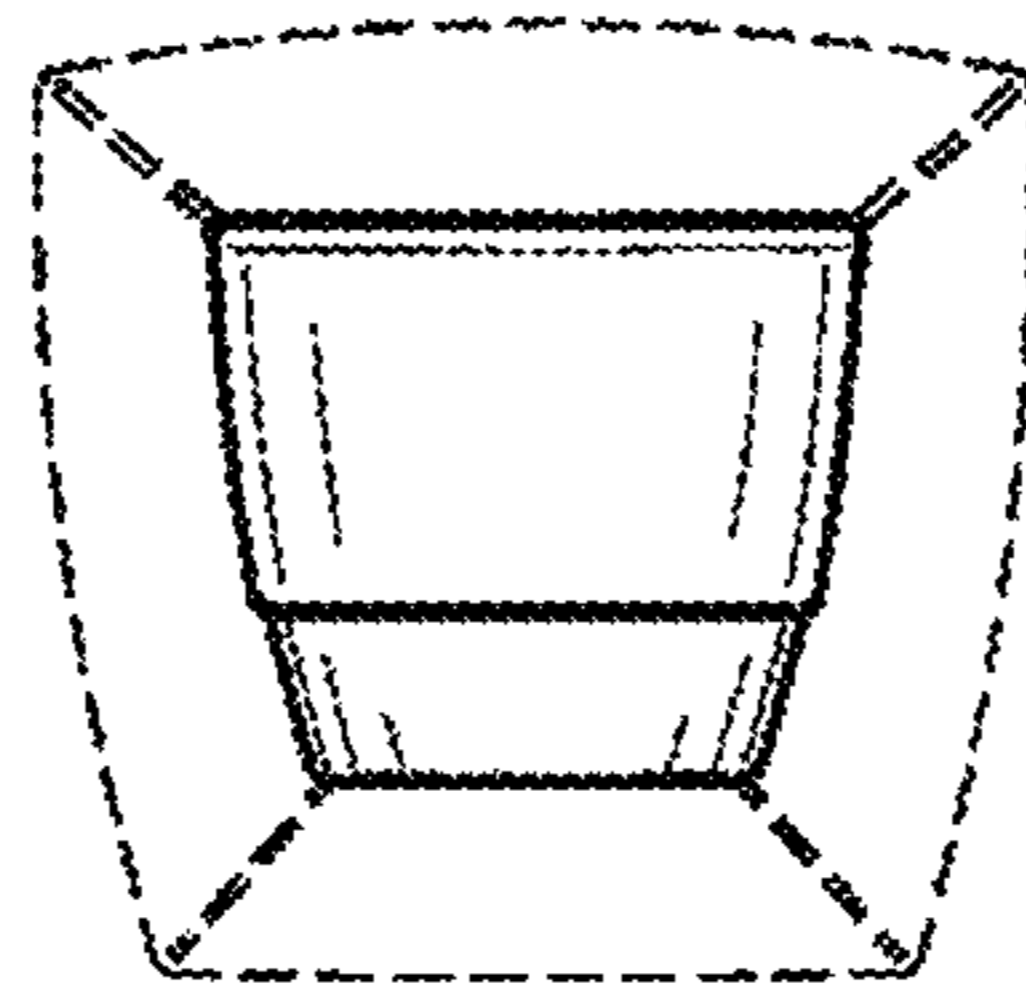


Fig-5

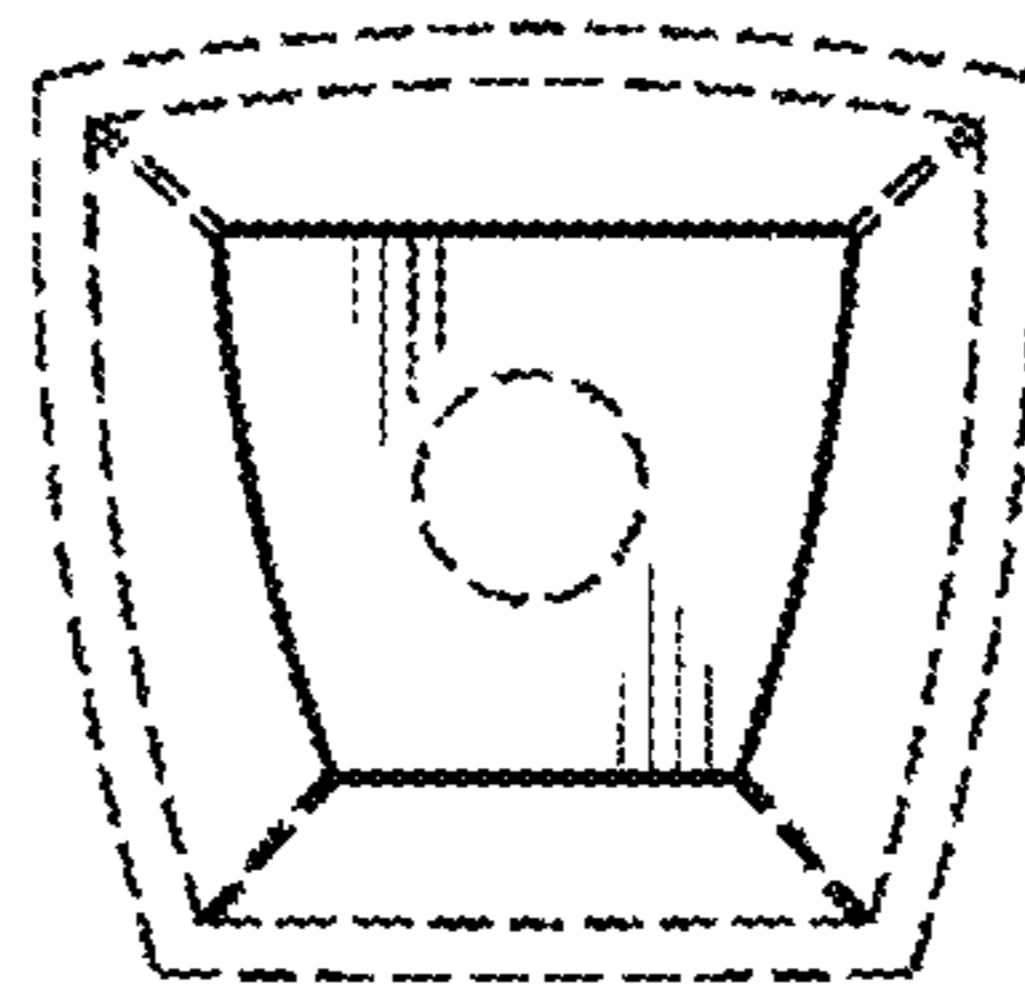


Fig-6