



US00D782011S

(12) **United States Design Patent**  
**Gross**

(10) **Patent No.:** **US D782,011 S**  
(45) **Date of Patent:** **\*\* Mar. 21, 2017**

- (54) **LOCKING COVER FOR A VALVE**
- (71) Applicant: **Matthew Gross**, Alta Loma, CA (US)
- (72) Inventor: **Matthew Gross**, Alta Loma, CA (US)
- (\*\*) Term: **15 Years**
- (21) Appl. No.: **29/558,618**
- (22) Filed: **Mar. 18, 2016**
- (51) **LOC (10) Cl.** ..... **23-01**
- (52) **U.S. Cl.**  
USPC ..... **D23/249**
- (58) **Field of Classification Search**  
USPC ..... D23/249; 137/315.27, 377, 382, 383,  
137/384.2, 385, 552.5; 251/90, 92, 93,  
251/94, 101, 287, 288, 292, 89.5; 70/176,  
70/177, 178, 180, 183, 210, 211, 310, 54,  
70/51; 285/80, 420; 220/252; D8/343,  
D8/346, 27, 28, 29  
CPC ..... F16K 35/10; F16K 35/06; F16K 35/022;  
F01L 2001/34453; F01L 2001/34469;  
F01L 2001/34456; Y10T 137/7069; Y10T  
137/7256; Y10T 137/7062; Y10T  
70/5637; Y10T 403/32524  
See application file for complete search history.

D272,515 S	2/1984	Wilson	
D348,306 S	6/1994	Parker	
D358,455 S	5/1995	Kieper	
D418,844 S *	1/2000	Occhiuto	..... D15/5
D486,719 S	2/2004	Erickson	
7,044,148 B2	5/2006	Berger et al.	
D630,300 S	1/2011	Parker	
7,980,598 B2 *	7/2011	Tsubota	..... F16L 19/005 285/420
9,169,943 B2 *	10/2015	Grade	..... F16K 35/10
D755,351 S *	5/2016	Parker	..... D23/249
2006/0175569 A1 *	8/2006	Henson	..... F16K 35/022 251/287

(Continued)

*Primary Examiner* — Cynthia Ramirez  
*Assistant Examiner* — Michael Maharajh  
 (74) *Attorney, Agent, or Firm* — Kirk A. Buhler; Buhler & Associates

(57) **CLAIM**

The ornamental design for a locking cover for a valve, as shown and described.

**DESCRIPTION**

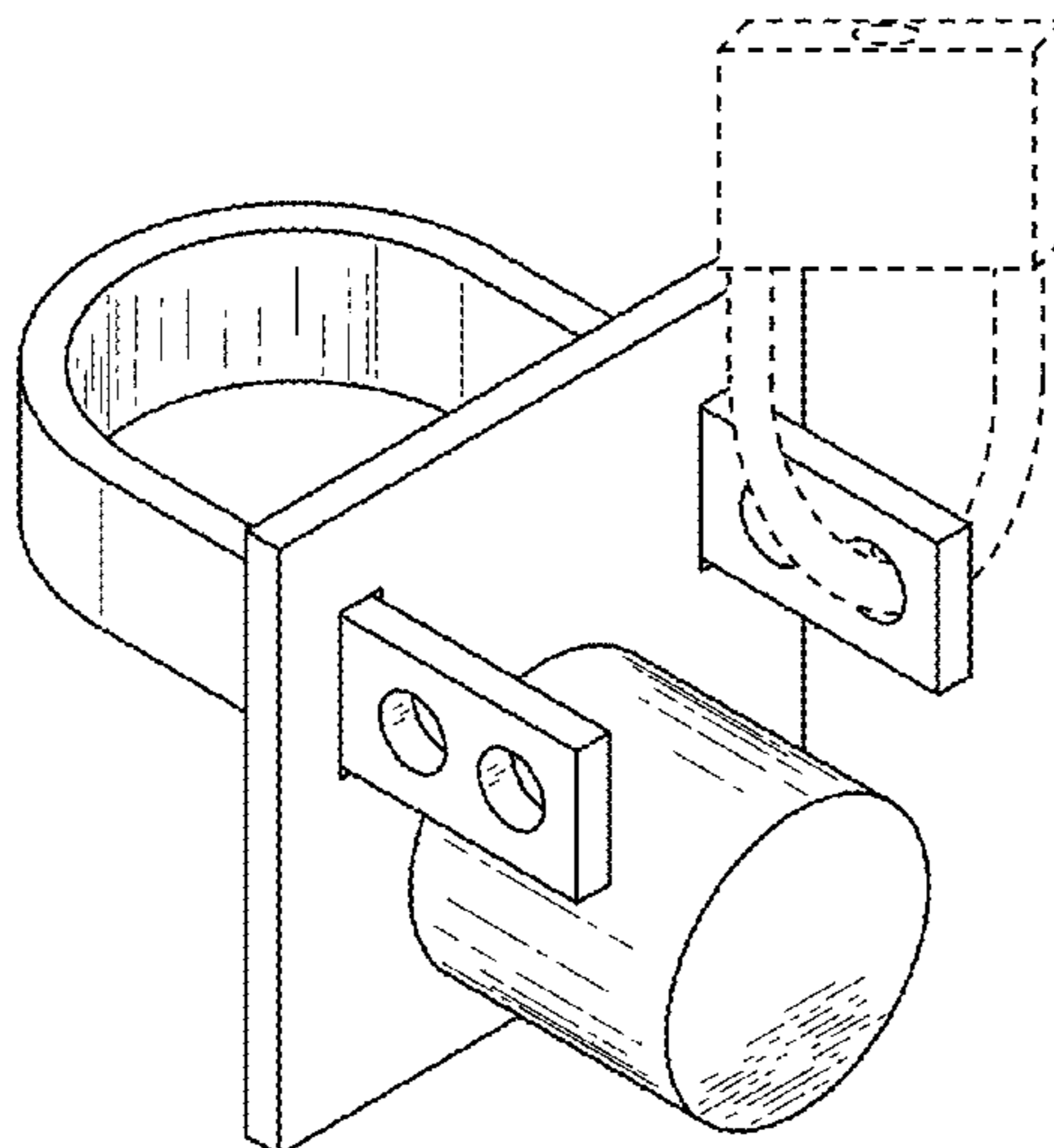
FIG. 1 is a top perspective view for a locking cover for a valve showing my new design;  
 FIG. 2 is a rear view thereof;  
 FIG. 3 is a front view thereof;  
 FIG. 4 is a top view, the bottom view being a mirror image thereof;  
 FIG. 5 is a left view, the right view being a mirror image thereof;  
 FIG. 6 is a left sectional view taken along lines 6-6 from FIG. 2 thereof; and,  
 FIG. 7 is an upper rear perspective view shown with the two parts separated.  
 The broken lines in FIG. 1 depict environmental subject matter of a lock for the invention and forms no part of the claimed design.

**1 Claim, 5 Drawing Sheets**

(56) **References Cited**

U.S. PATENT DOCUMENTS

1,366,114 A *	1/1921	Boggs	..... F16K 35/10 70/180
1,416,807 A *	5/1922	Fisher	..... B60R 25/04 137/384.2
1,422,336 A *	7/1922	Cathrill	..... F16K 35/10 70/180
1,491,051 A *	4/1924	Lyles	..... F16K 35/10 70/180
3,865,130 A *	2/1975	Mullis	..... F16K 35/10 137/385



(56)

**References Cited**

U.S. PATENT DOCUMENTS

2009/0120510	A1 *	5/2009	Evans .....	F16K 27/08 137/383
2012/0085433	A1 *	4/2012	Agbay .....	F16K 35/06 137/383
2013/0256571	A1 *	10/2013	Cancel .....	B64D 25/14 251/90
2015/0075648	A1 *	3/2015	Rohde .....	F16K 35/10 137/385
2015/0101684	A1 *	4/2015	Yoder .....	F16K 35/10 137/385
2015/0114471	A1 *	4/2015	Draper .....	F16K 3/02 137/1

\* cited by examiner

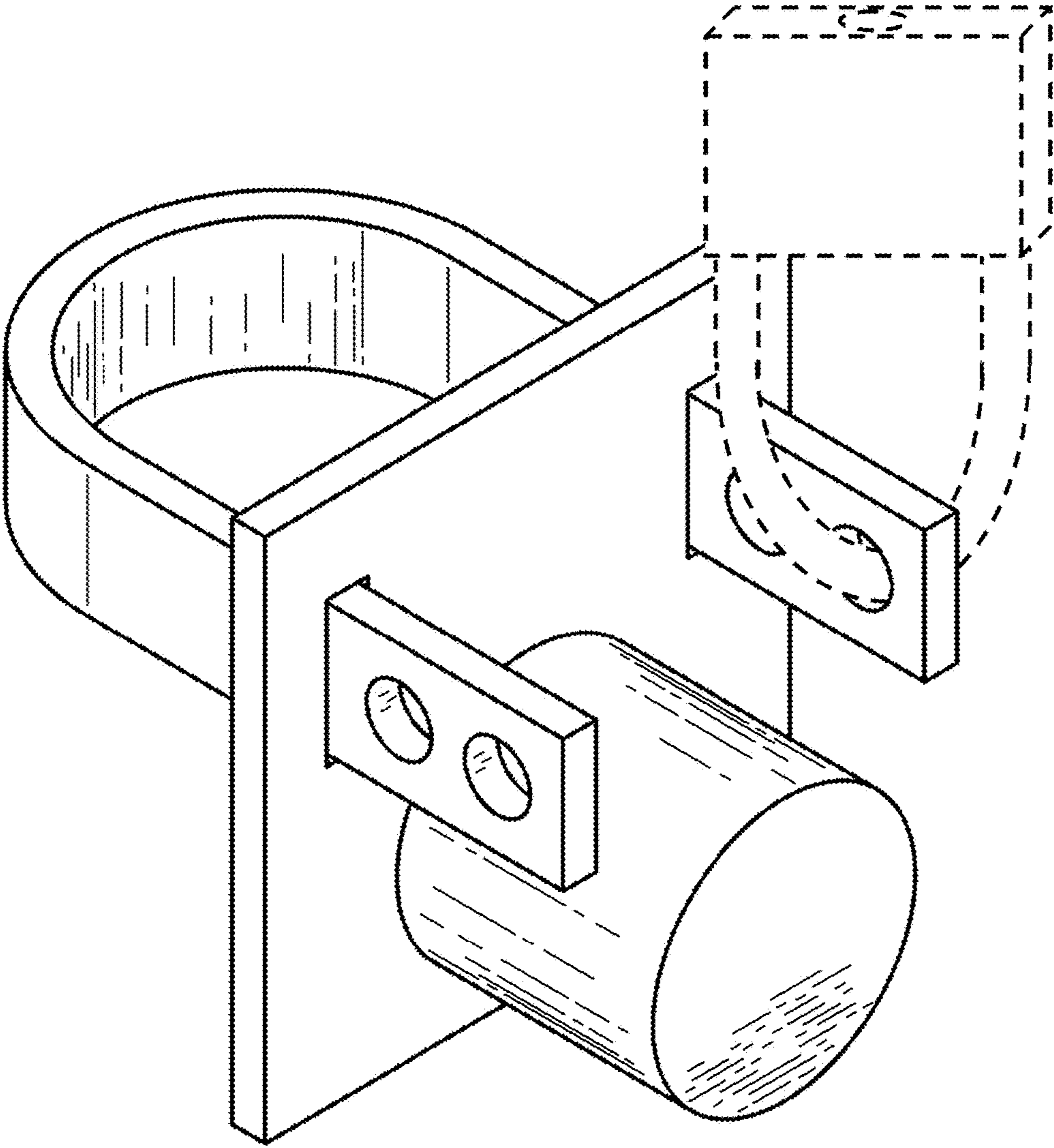


FIG. 1

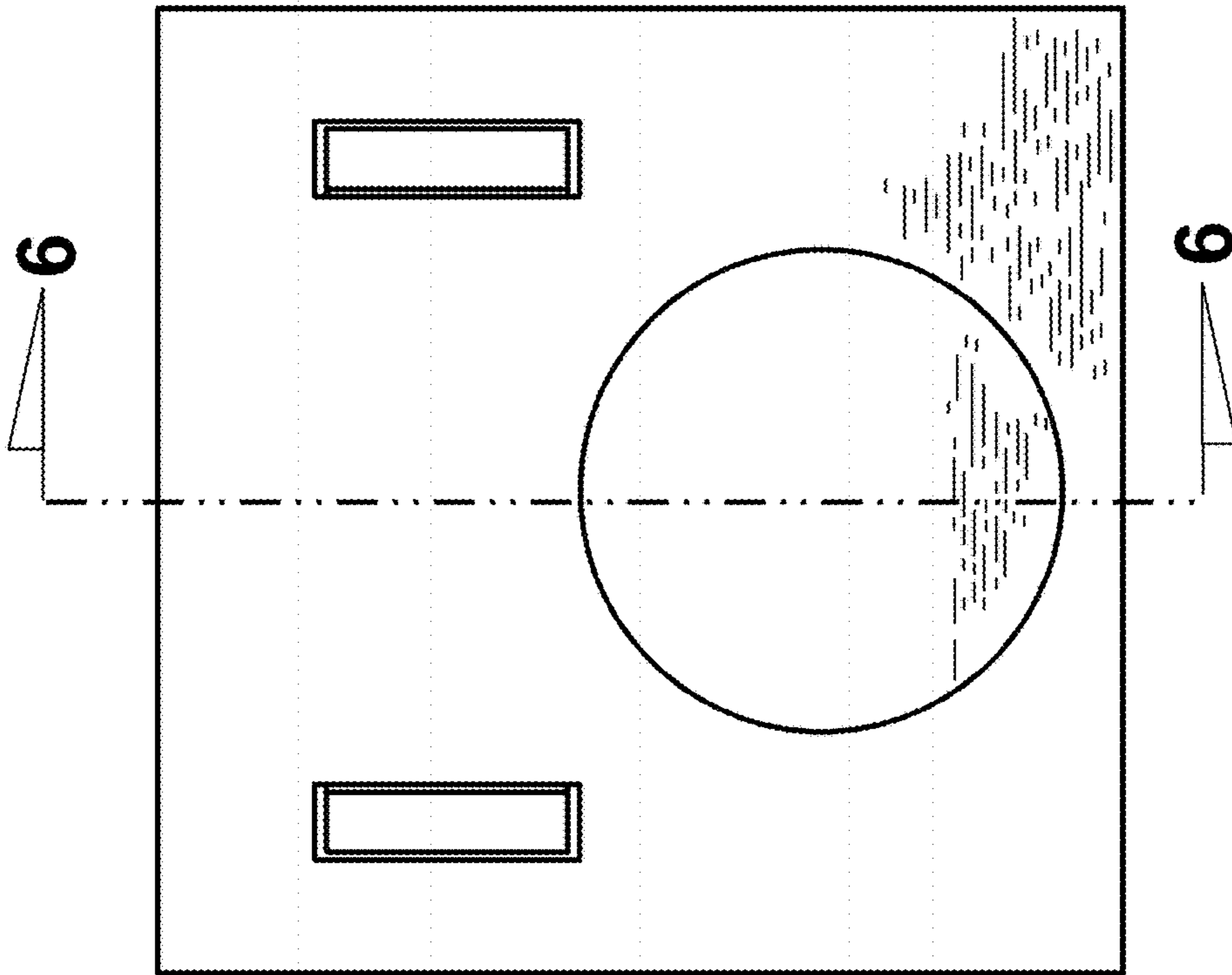


FIG. 2

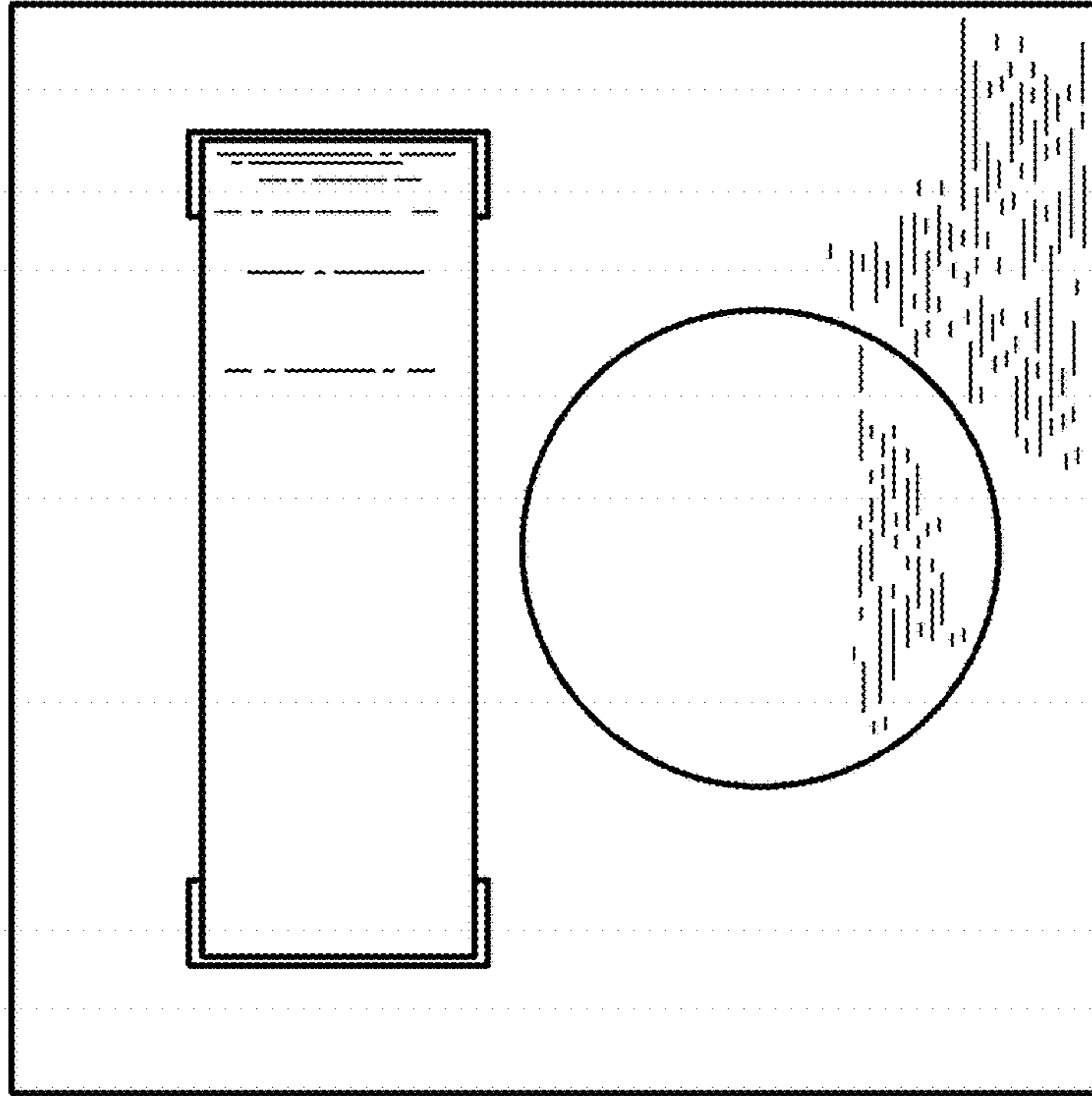


FIG. 3

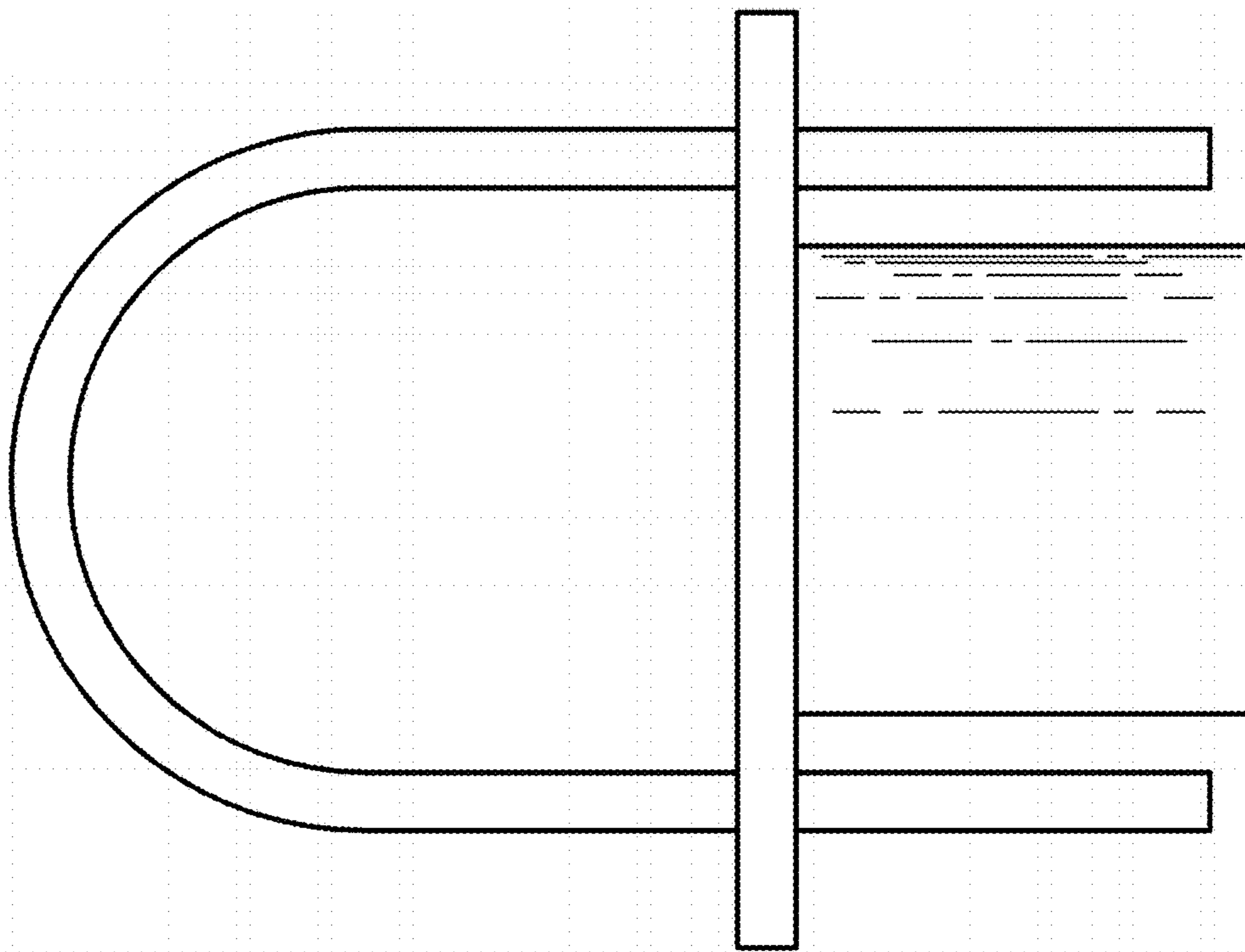


FIG. 4

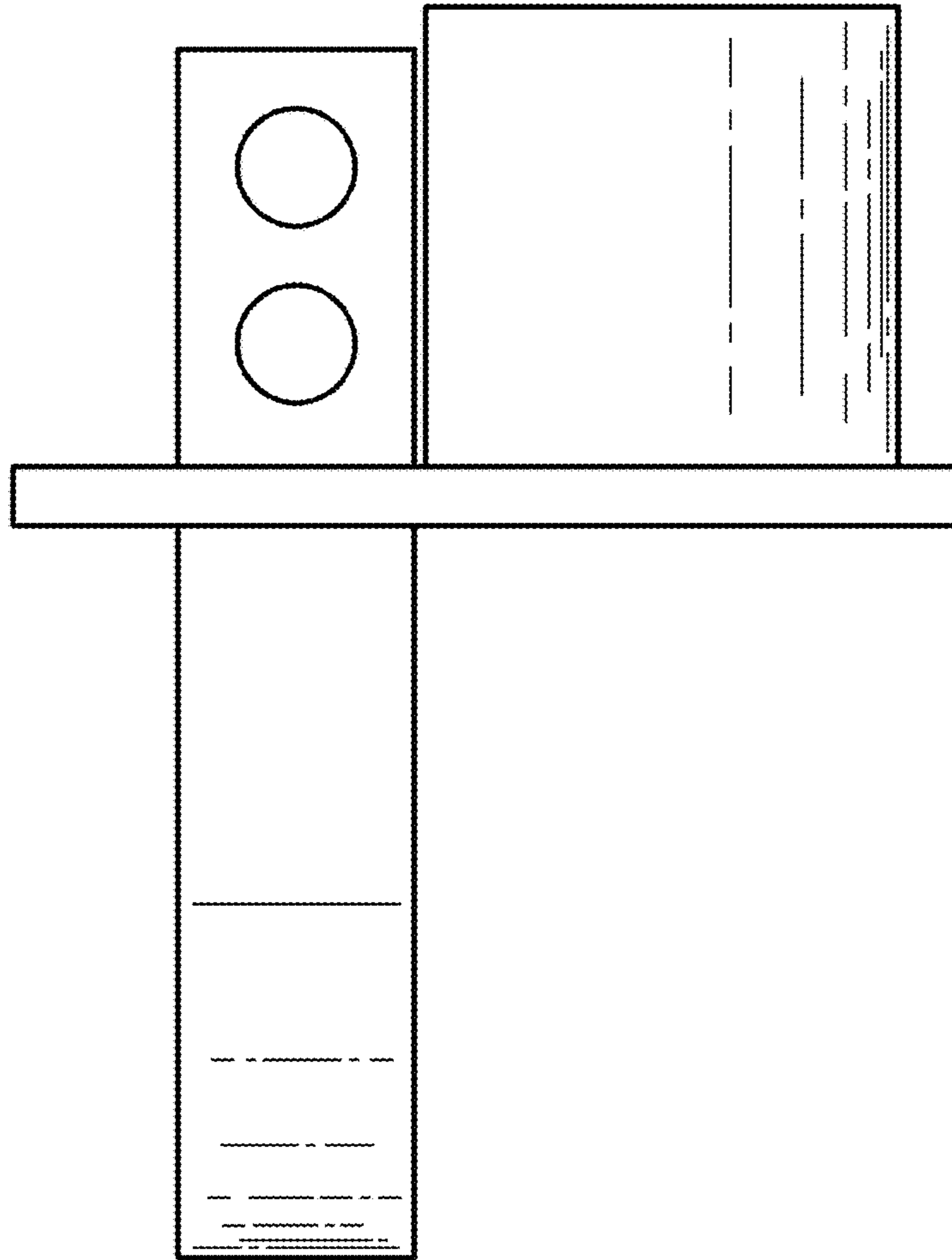


FIG. 5

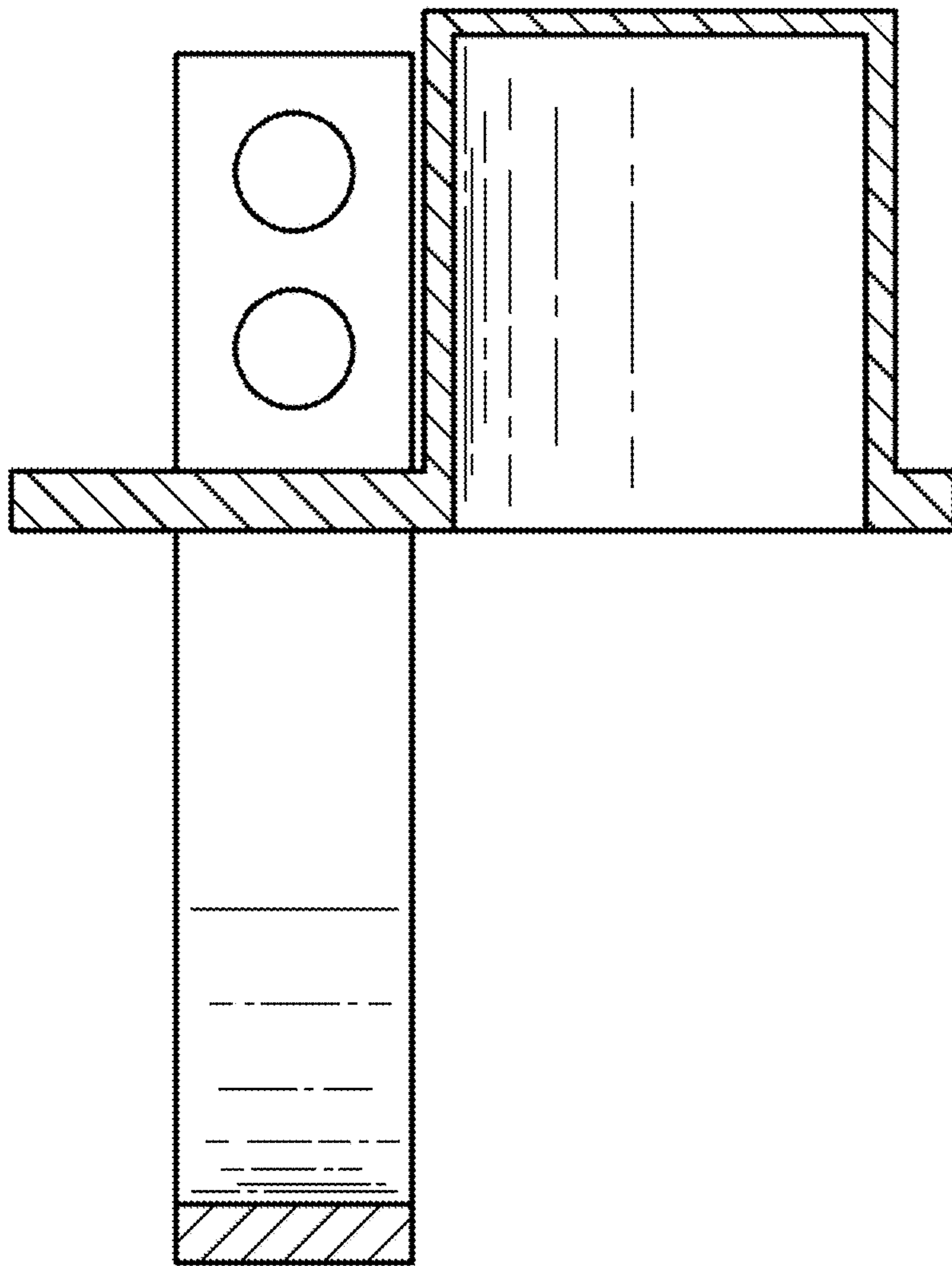


FIG. 6

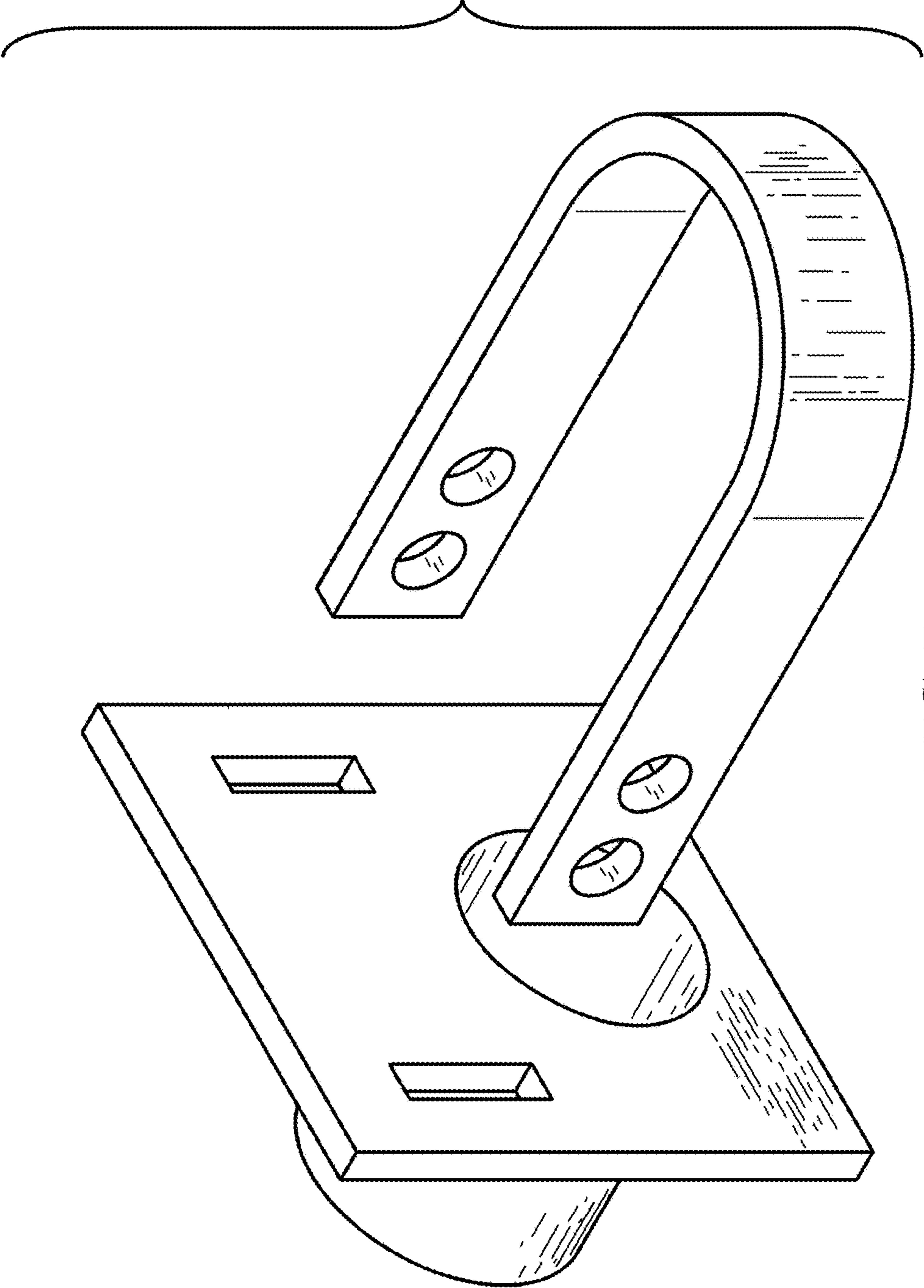


FIG. 7