



US00D782010S

(12) **United States Design Patent** (10) **Patent No.:** **US D782,010 S**
Watanabe et al. (45) **Date of Patent:** **** Mar. 21, 2017**

(54) **EXPANSION VALVE**
(71) Applicant: **TGK CO., LTD.**, Tokyo (JP)
(72) Inventors: **Takeshi Watanabe**, Tokyo (JP);
Takeshi Kaneko, Tokyo (JP)
(73) Assignee: **TGK Co., Ltd.**, Tokyo (JP)
(**) Term: **15 Years**

D683,816 S * 6/2013 Kobayashi D23/233
D683,819 S * 6/2013 Watanabe D23/233
D692,533 S * 10/2013 Kaneko D23/233
D693,430 S * 11/2013 Kaneko D23/233
D701,590 S 3/2014 Kaneko D23/233
D712,010 S 8/2014 Okutsu et al. D23/233
D754,818 S * 4/2016 Watanabe D23/233

(Continued)

(21) Appl. No.: **29/562,227**
(22) Filed: **Apr. 22, 2016**

(30) **Foreign Application Priority Data**

Oct. 26, 2015 (EM) 002836304-0002

(51) **LOC (10) Cl.** **23-01**

(52) **U.S. Cl.**
USPC **D23/233**

(58) **Field of Classification Search**
USPC D23/233-250; D15/5-7; 251/129.11,
251/264, 333, 331; 137/630.12, 137.14,
137/333, 340, 500, 511, 550, 596.12,
137/614.16; 62/528

CPC F16K 31/0613; F16K 11/10; F16K 11/074;
F25B 41/062

See application file for complete search history.

(56) **References Cited**

U.S. PATENT DOCUMENTS

D413,373 S * 8/1999 Watanabe D23/233
D427,285 S * 6/2000 Watanabe D23/233
D440,632 S 4/2001 Fukuda et al. D23/233
D532,080 S * 11/2006 Kobayashi D23/233
D589,118 S 3/2009 Watanabe D23/233
D621,475 S * 8/2010 Matsumoto D23/233
D647,597 S * 10/2011 Kobayashi D23/233
D649,222 S * 11/2011 Kobayashi D23/233

OTHER PUBLICATIONS

Ebay "Universal Air Conditioner EX10177C A/C Expansion Valve fit Chevrolet Optra", www.ebay.com. Tues. Oct. 8, 2016. shown in p. 1, Item # 131640543290.*

(Continued)

Primary Examiner — Cynthia Ramirez

Assistant Examiner — Michael Maharajh

(74) *Attorney, Agent, or Firm* — Martine Penilla Group, LLP

(57) **CLAIM**

The ornamental design for an expansion valve, as shown and described.

DESCRIPTION

FIG. 1 is a front perspective view of an expansion valve showing our new design;

FIG. 2 is a rear perspective view thereof;

FIG. 3 is a front elevational view thereof;

FIG. 4 is a rear elevational view thereof;

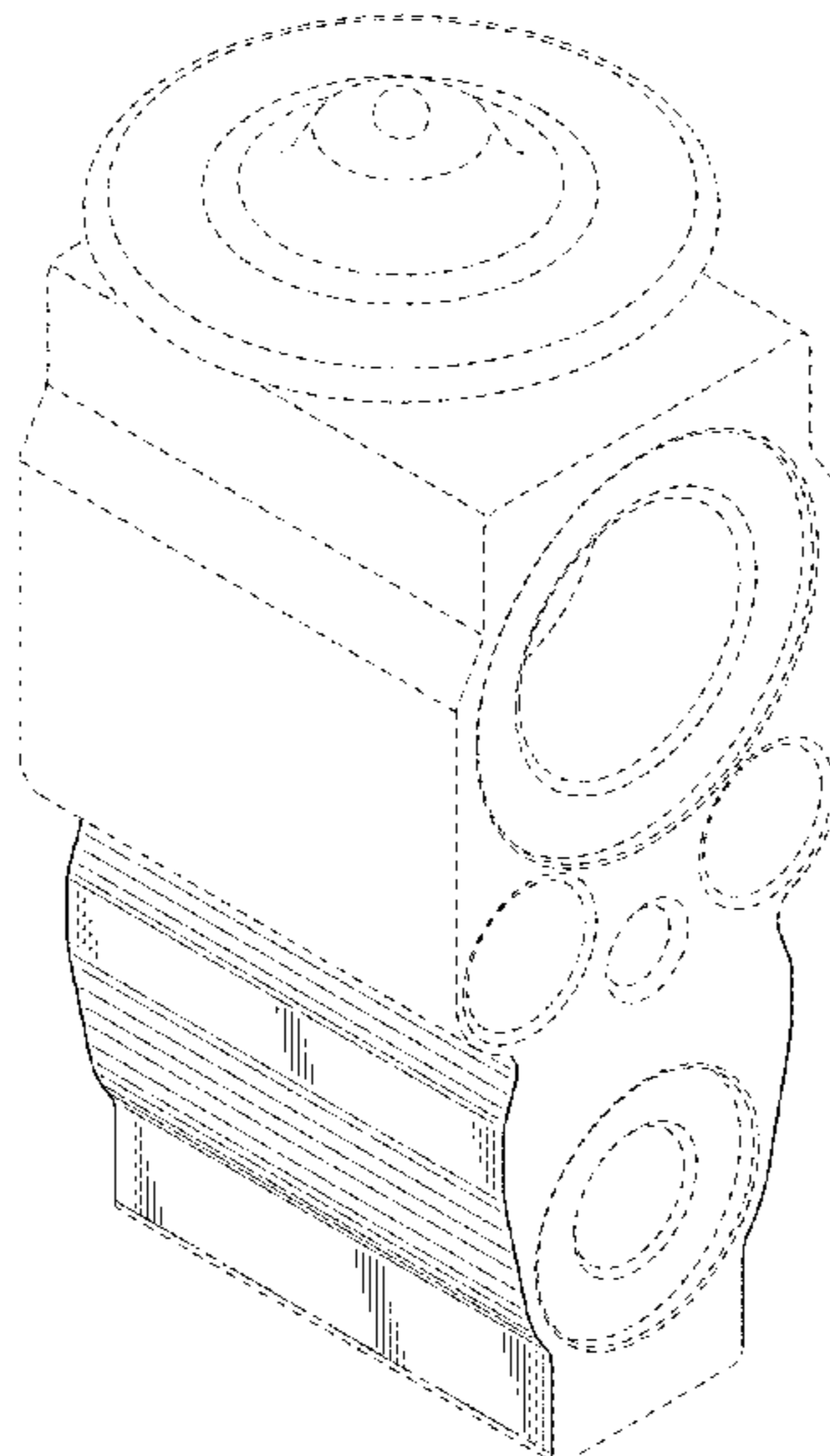
FIG. 5 is a bottom plan view thereof;

FIG. 6 is a left side elevational view thereof; and,

FIG. 7 is a right side elevational view thereof.

The broken lines shown in the figures are included for the purpose of illustrating portions of the expansion valve and form no part of the claimed design.

1 Claim, 7 Drawing Sheets



(56)

References Cited

U.S. PATENT DOCUMENTS

2013/0247609 A1* 9/2013 Kaneko F25B 41/062
62/528

OTHER PUBLICATIONS

U.S. Appl. No. 29/522,356, filed Mar. 30, 2015, Watanabe et al.

* cited by examiner

FIG. 1

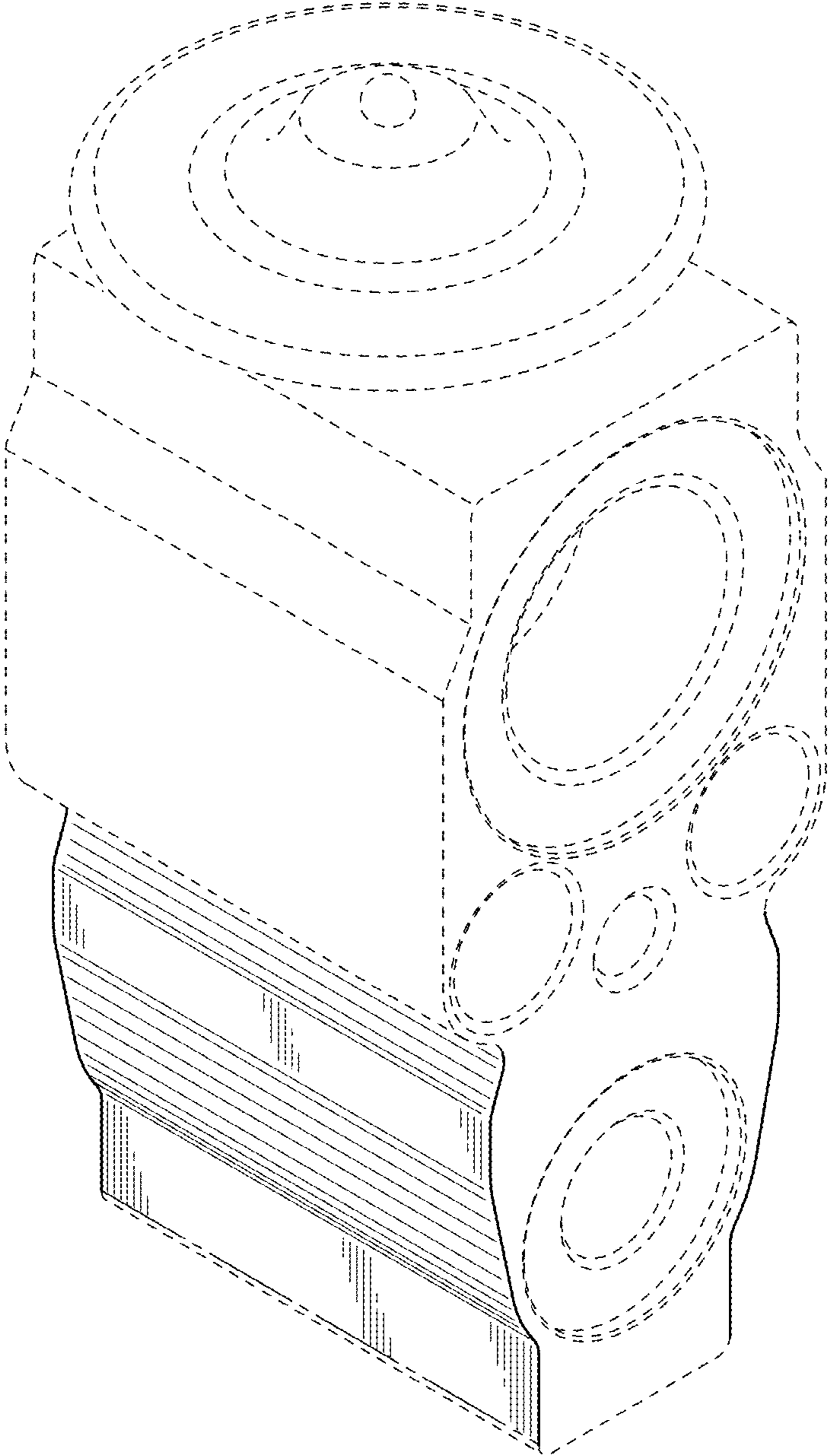


FIG. 2

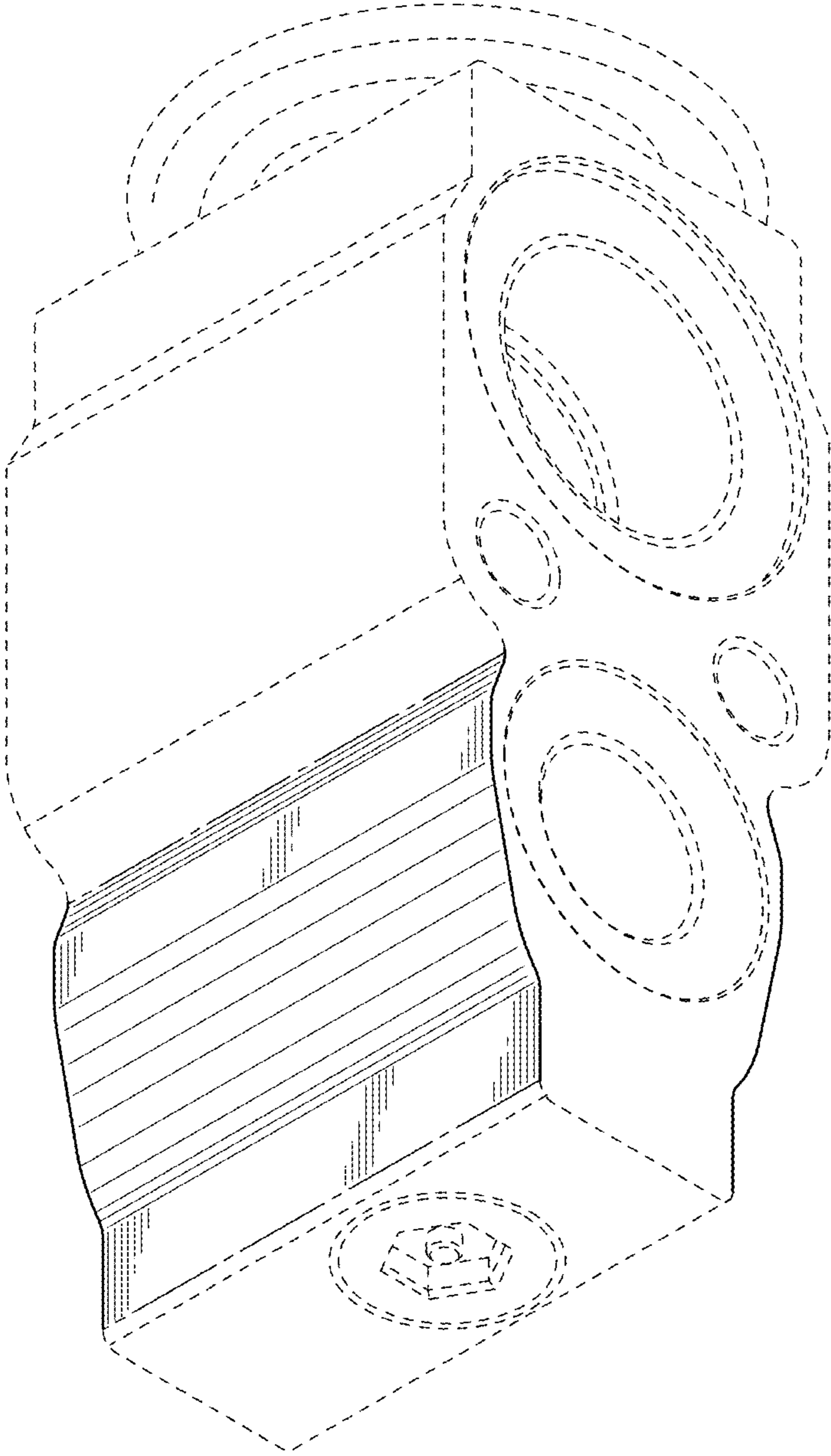


FIG. 3

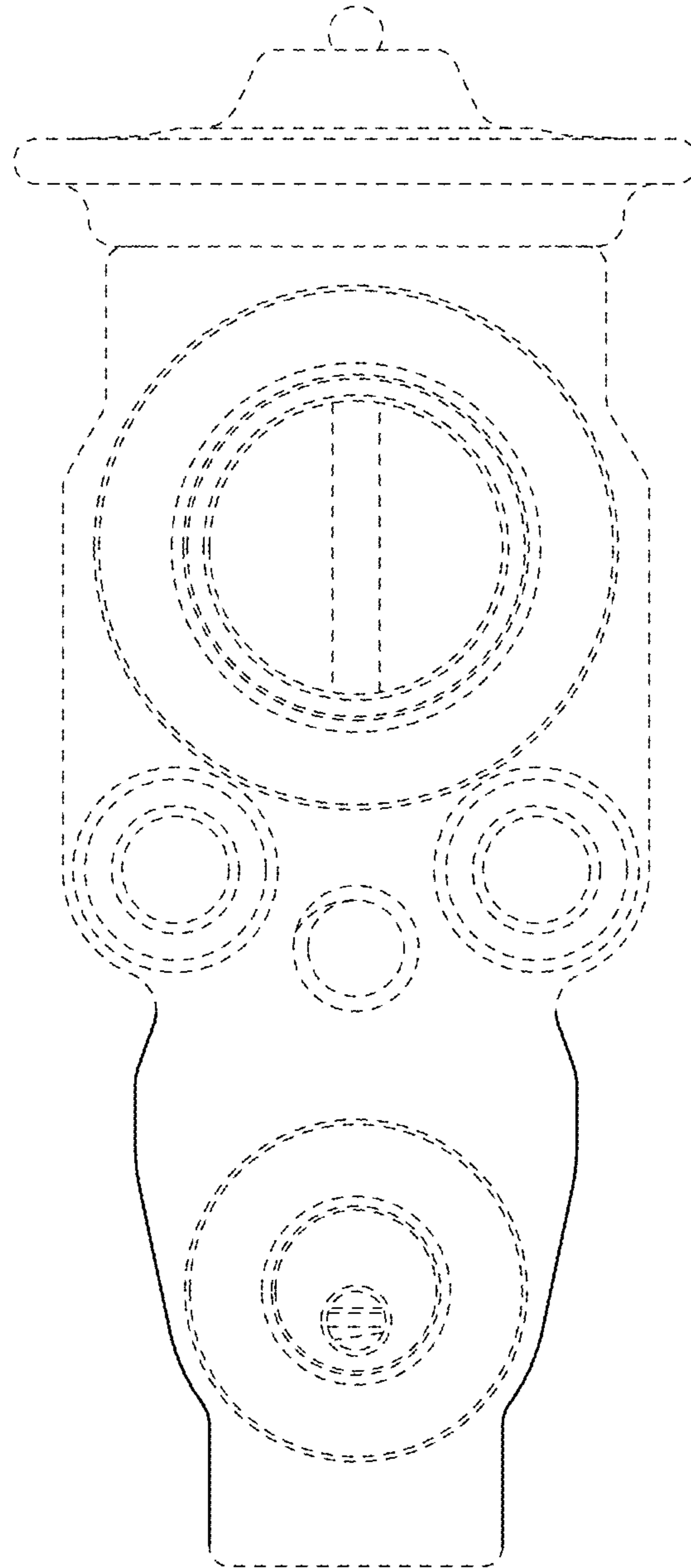


FIG. 4

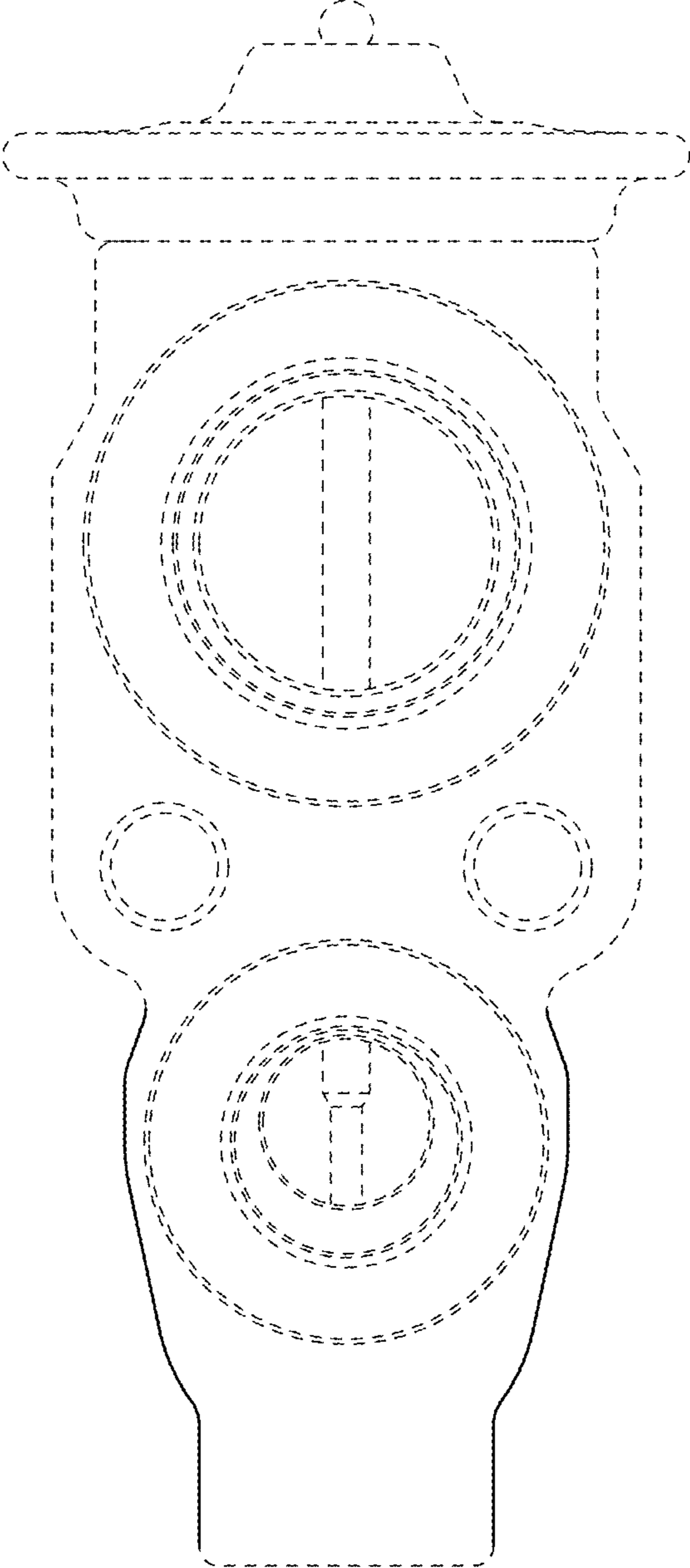


FIG. 5

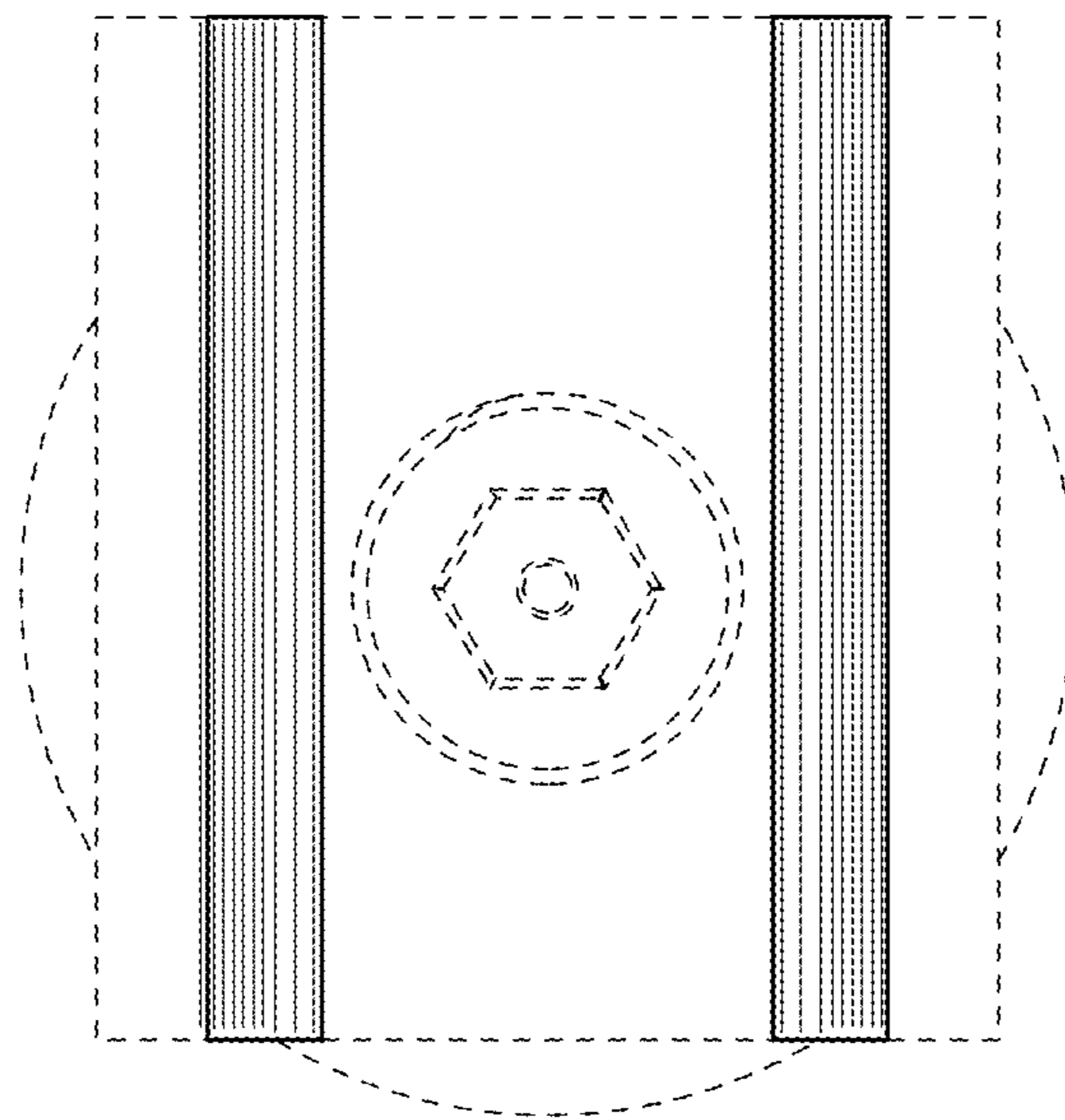


FIG. 6

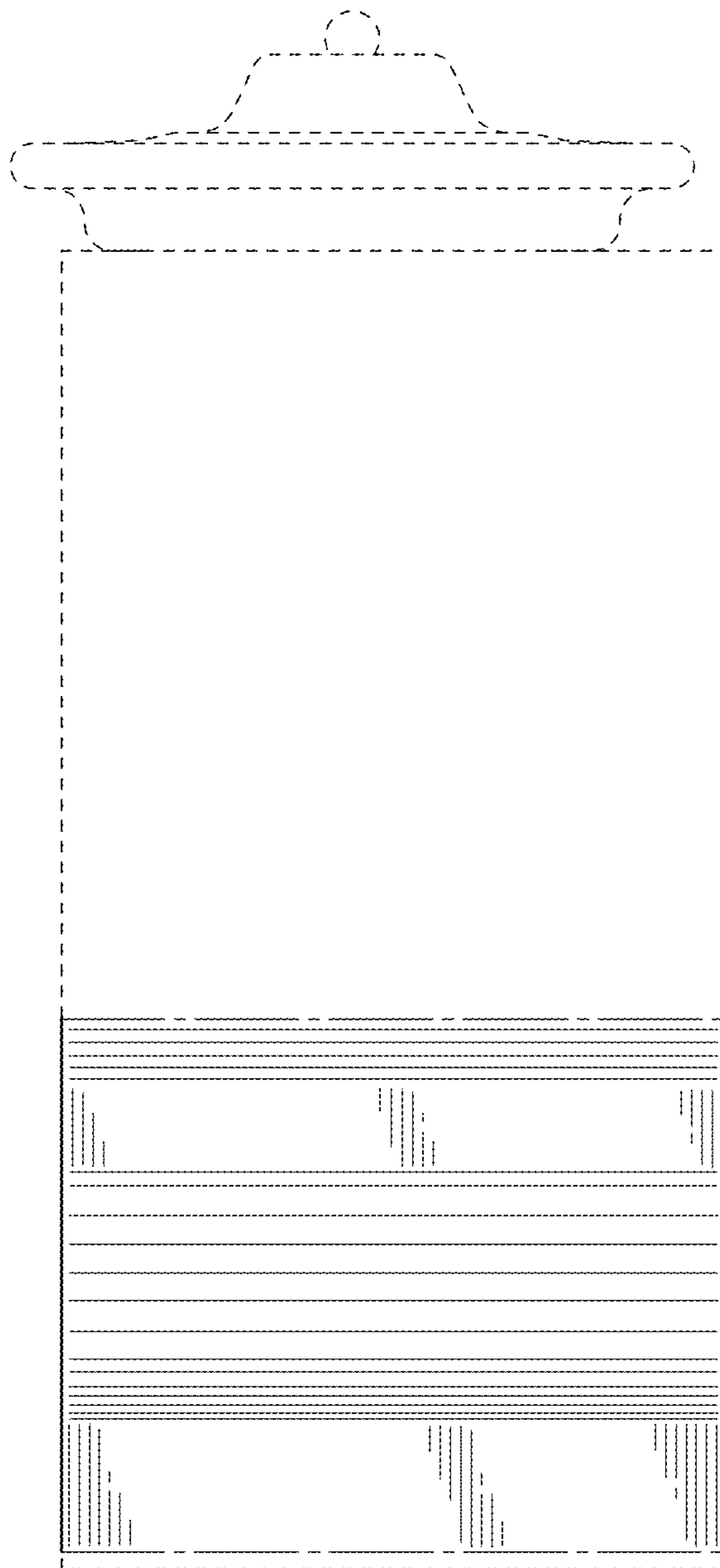


FIG. 7

