



US00D782009S

(12) **United States Design Patent**
Watanabe et al.

(10) **Patent No.:** **US D782,009 S**

(45) **Date of Patent:** **** Mar. 21, 2017**

(54) **EXPANSION VALVE**

(71) Applicant: **TGK CO., LTD.**, Tokyo (JP)

(72) Inventors: **Takeshi Watanabe**, Tokyo (JP);
Takeshi Kaneko, Tokyo (JP)

(73) Assignee: **TGK Co. Ltd.**, Tokyo (JP)

(**) Term: **15 Years**

(21) Appl. No.: **29/562,226**

(22) Filed: **Apr. 22, 2016**

(30) **Foreign Application Priority Data**

Oct. 26, 2015 (EM) 002836304-0001

(51) **LOC (10) Cl.** **23-01**

(52) **U.S. Cl.**
USPC **D23/233**

(58) **Field of Classification Search**
USPC D23/233-250; D15/5-7; 251/129.11,
251/264, 333, 331; 137/630.12, 137.14,
137/333, 340, 500, 511, 550, 596.12,
137/614.16; 62/528
CPC F16K 31/0613; F16K 11/10; F16K 11/074;
F25B 41/062; F25B 2600/2513; F25B
2341/065

See application file for complete search history.

(56) **References Cited**

U.S. PATENT DOCUMENTS

D413,373 S * 8/1999 Watanabe D23/233
D427,285 S * 6/2000 Watanabe D23/233
D440,632 S 4/2001 Fukuda et al. D23/233
D546,921 S * 7/2007 Kobayashi D23/233
D589,118 S 3/2009 Watanabe D23/233
D621,475 S * 8/2010 Matsumoto D23/233
D649,222 S * 11/2011 Kobayashi D23/233

D683,816 S * 6/2013 Kobayashi D23/233
D683,819 S * 6/2013 Watanabe D23/233
D683,820 S * 6/2013 Watanabe D23/233
D692,533 S * 10/2013 Kaneko D23/233
D693,430 S * 11/2013 Kaneko D23/233
D694,362 S * 11/2013 Kaneko D23/233
D701,292 S * 3/2014 Kaneko D23/233

(Continued)

OTHER PUBLICATIONS

Ebay "Universal Air Conditioner EX10177C A/C Expansion Valve fit Chevrolet Optra", www.ebay.com. Tues. Oct. 8, 2016. shown in p. 1, Item # 131640543290.*

(Continued)

Primary Examiner — Cynthia Ramirez

Assistant Examiner — Michael Maharajh

(74) *Attorney, Agent, or Firm* — Martine Penilla Group, LLP

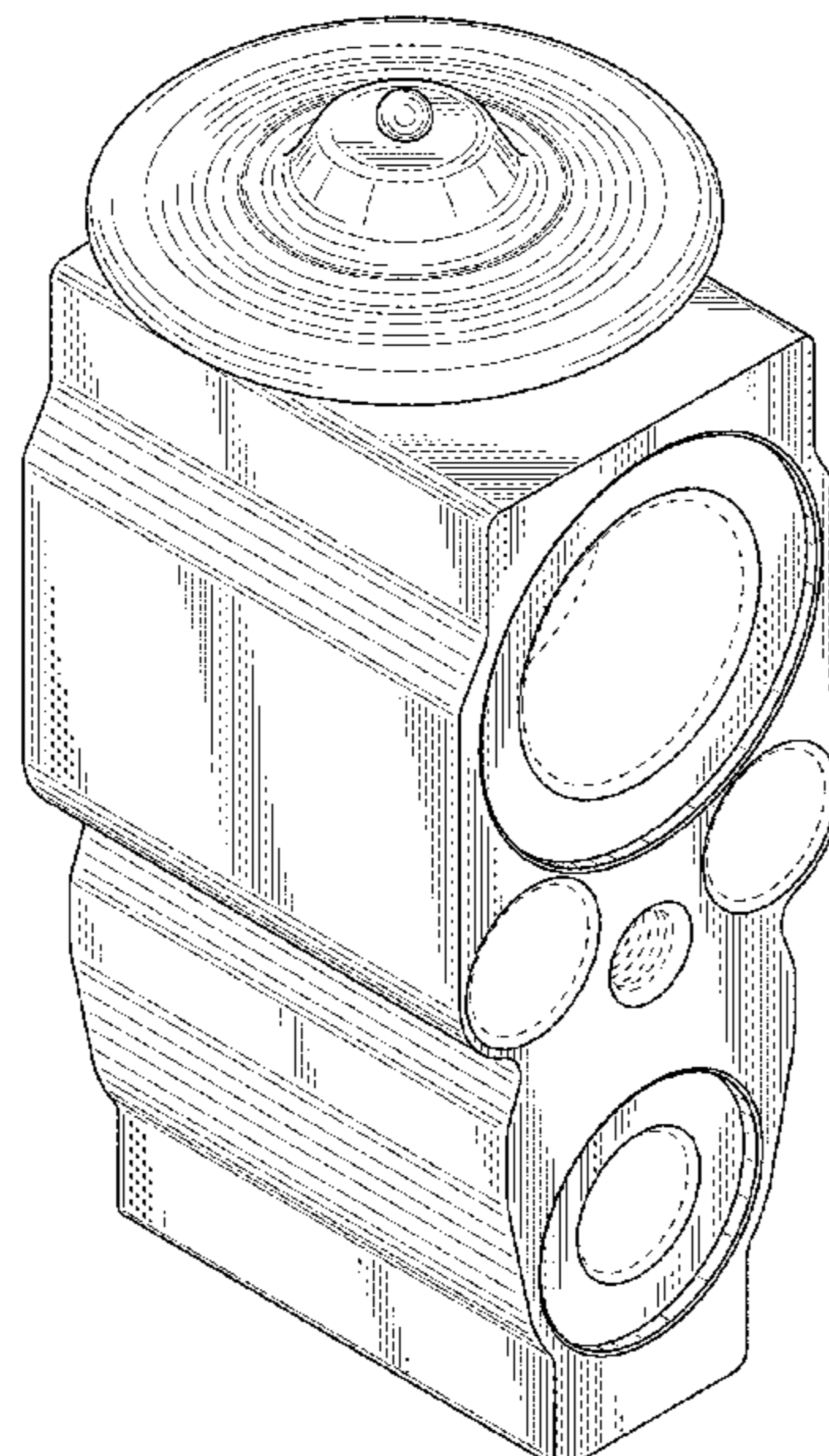
(57) **CLAIM**

The ornamental design for an expansion valve, as shown and described.

DESCRIPTION

FIG. 1 is a front perspective view of an expansion valve showing our new design;
FIG. 2 is a rear perspective view thereof;
FIG. 3 is a front elevational view thereof;
FIG. 4 is a rear elevational view thereof;
FIG. 5 is a top plan view thereof;
FIG. 6 is a bottom plan view thereof; and,
FIG. 7 is a left side elevational view thereof; the right side elevational view being a mirror image thereof.
The broken lines shown in the figures are included for the purpose of illustrating portions of the expansion valve and form no part of the claimed design.

1 Claim, 7 Drawing Sheets



(56)

References Cited

U.S. PATENT DOCUMENTS

D701,590 S	3/2014	Kaneko	D23/233
D712,010 S	8/2014	Okutsu et al.	D23/233
D754,818 S *	4/2016	Watanabe	D23/233
2013/0247609 A1 *	9/2013	Kaneko	F25B 41/062 62/528

OTHER PUBLICATIONS

U.S. Appl. No. 29/522,356, filed Mar. 30, 2015, Watanabe et al.

* cited by examiner

FIG. 1

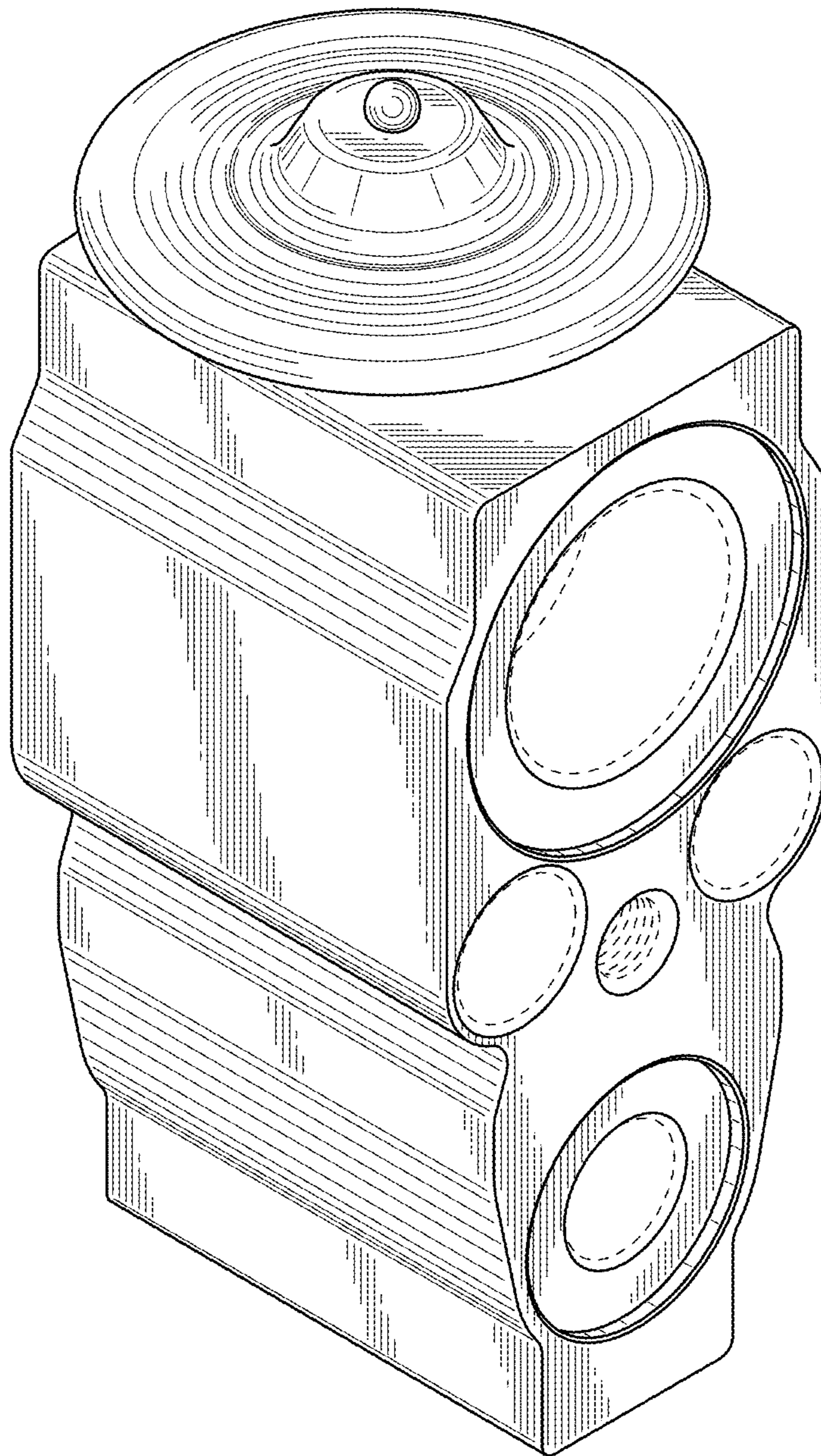


FIG. 2

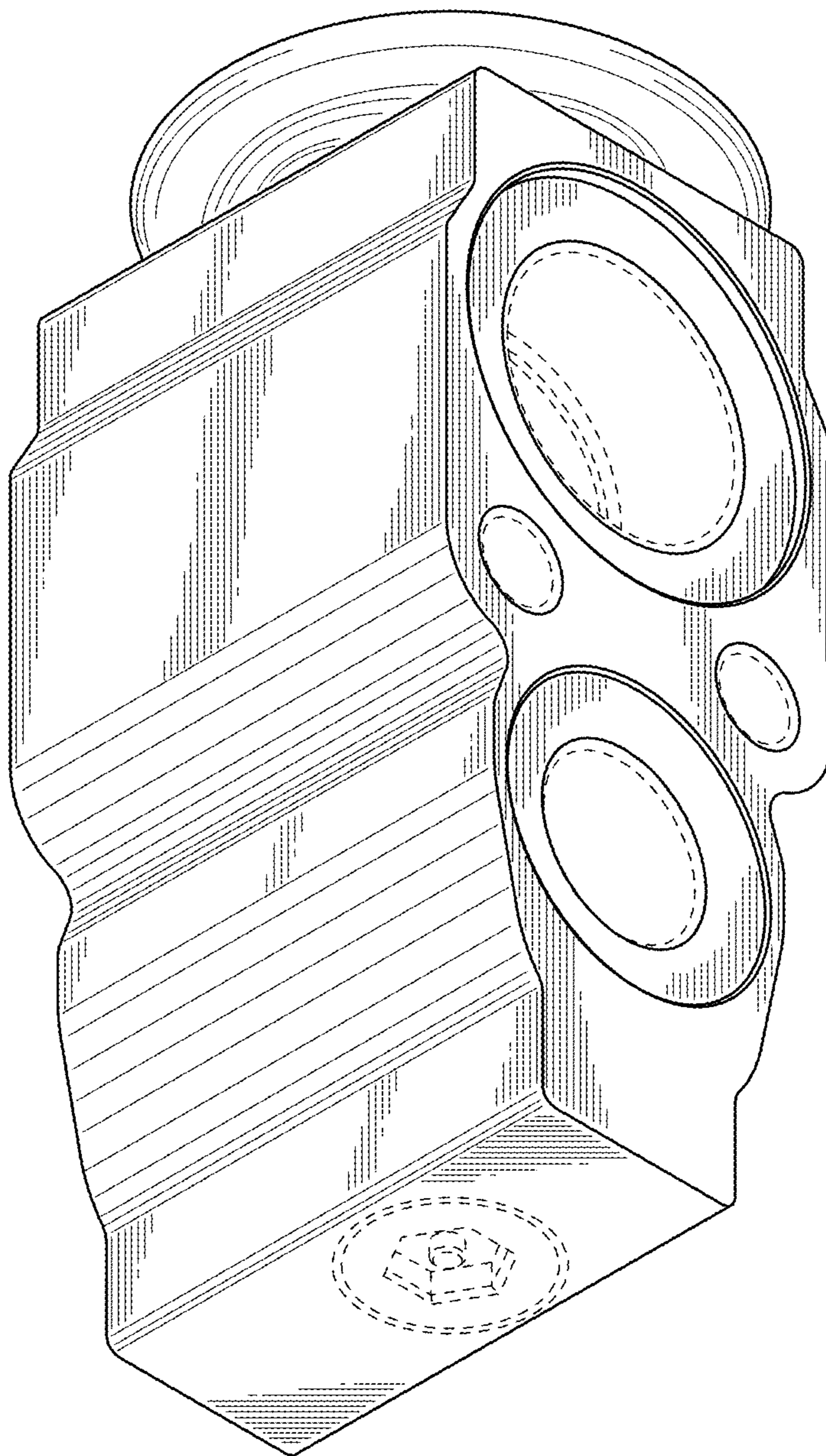


FIG. 3

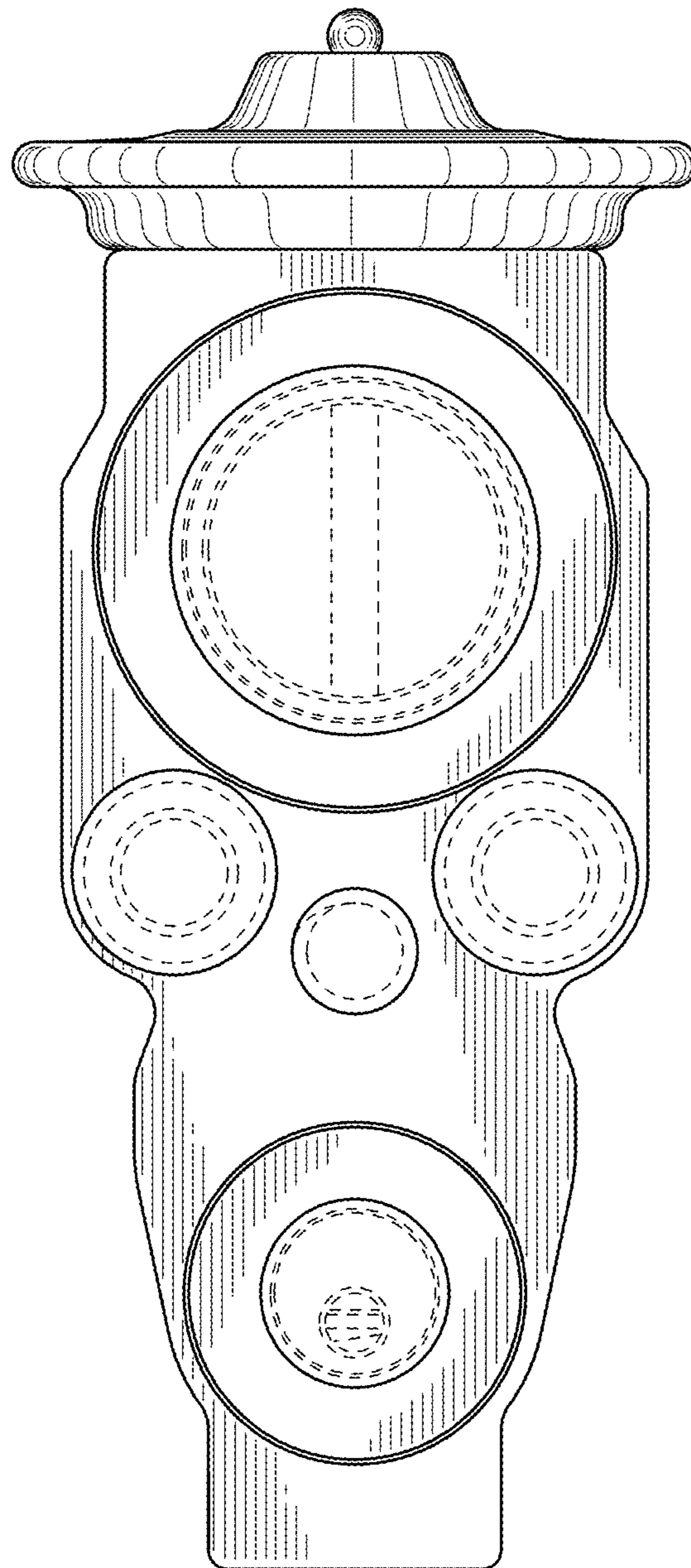


FIG. 4

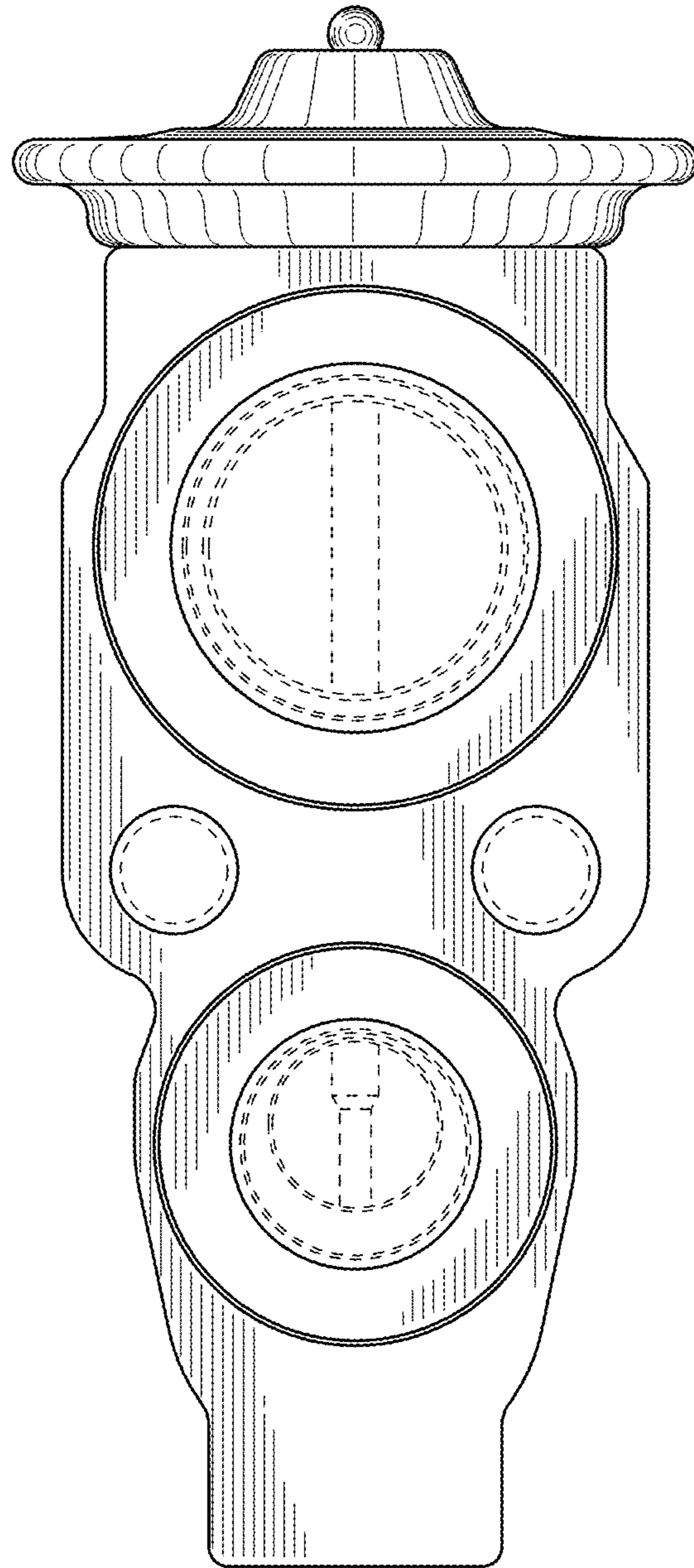


FIG. 5

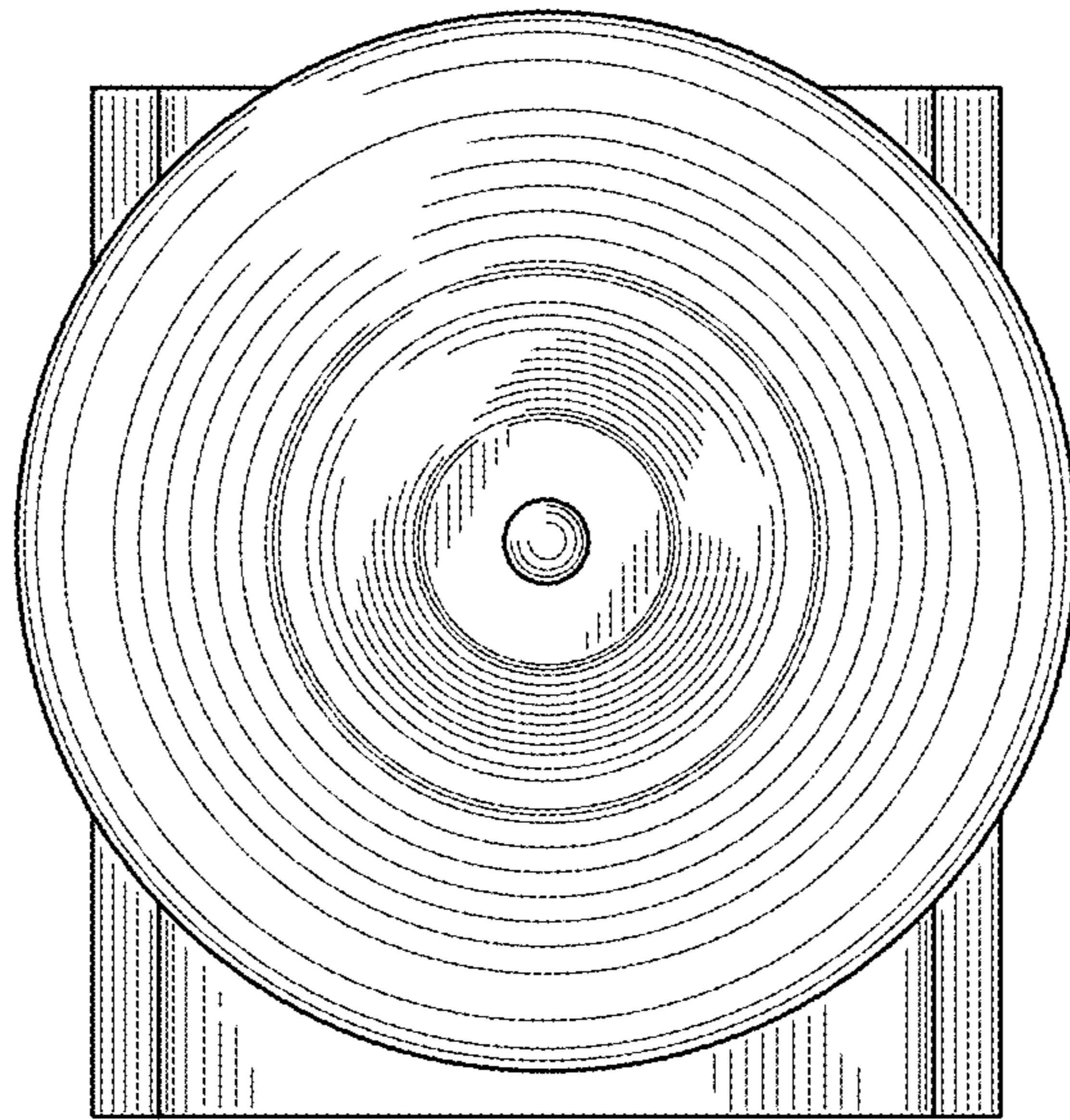


FIG. 6

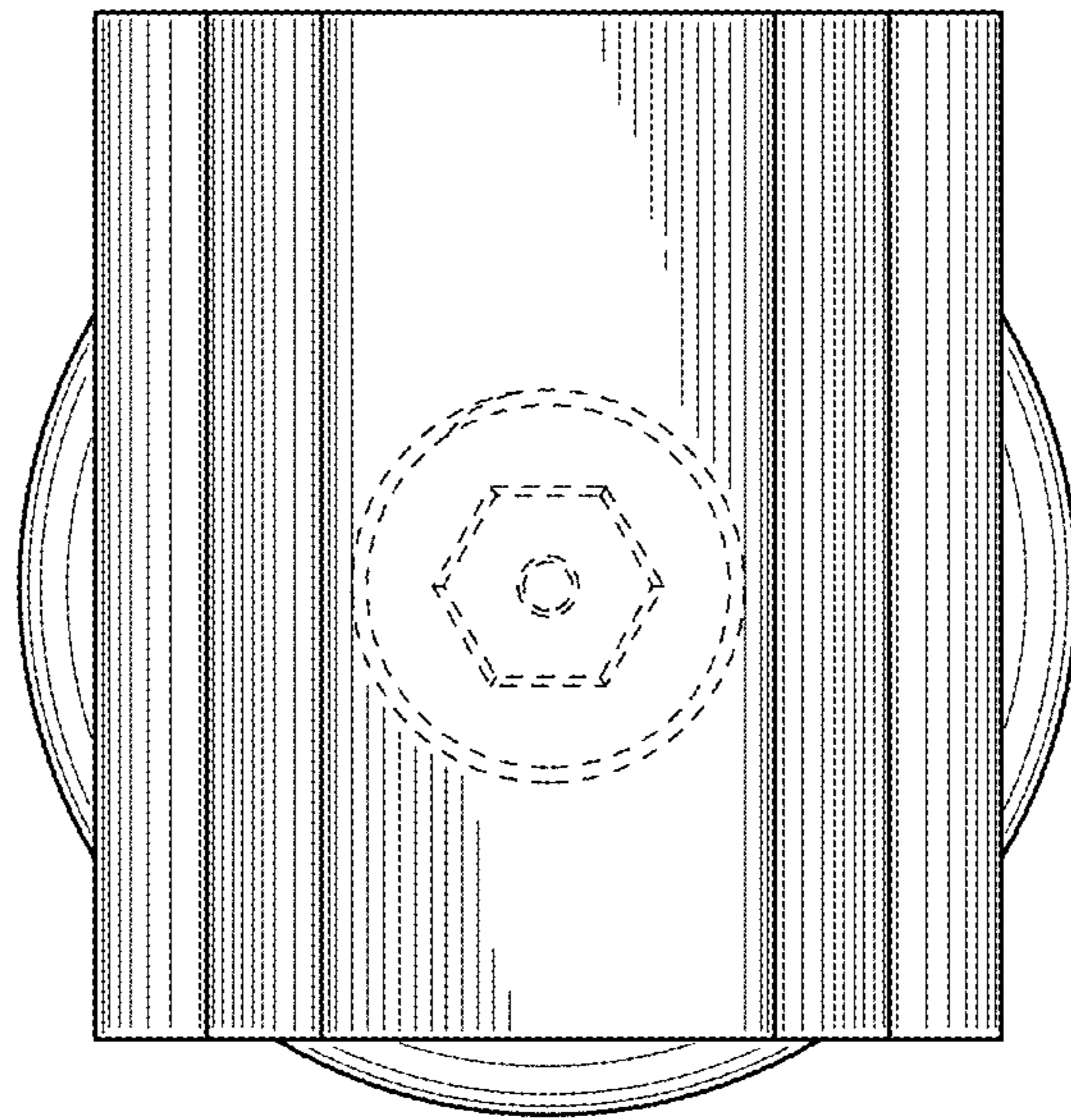


FIG. 7

