

US00D782006S

(12) **United States Design Patent**  
**Robinson et al.**

(10) **Patent No.:** **US D782,006 S**  
(45) **Date of Patent:** **\*\* Mar. 21, 2017**

(54) **SPRAY GUN FOR PAINT**

(71) Applicant: **Wagner Spraytech (UK) Ltd.**, Surrey (GB)

(72) Inventors: **James Robinson**, Guildford (GB);  
**Heiko Tullney**, Hamburg (DE)

(73) Assignee: **Wagner Spraytech (UK) Ltd.**, Surrey (GB)

(\*\*) Term: **15 Years**

(21) Appl. No.: **29/540,196**

(22) Filed: **Sep. 22, 2015**

(30) **Foreign Application Priority Data**

Mar. 24, 2015 (DE) ..... 40 2015 100 289

(51) **LOC (10) Cl.** ..... **23-01**

(52) **U.S. Cl.**  
USPC ..... **D23/225**

(58) **Field of Classification Search**  
USPC ..... D23/213, 202, 225; 239/302, 308, 310,  
239/332-3  
CPC .... B05B 7/2408; B05B 7/2421; B05B 9/0861  
See application file for complete search history.

(56) **References Cited**

**U.S. PATENT DOCUMENTS**

3,120,347 A \* 2/1964 Duke, Jr. .... B05B 9/0861  
239/329  
D432,372 S \* 10/2000 Iacofano et al. .... D23/225

D470,914 S \* 2/2003 Frank et al. .... D23/225  
D472,304 S \* 3/2003 Fageroos et al. .... D23/225  
D490,500 S \* 5/2004 Ye et al. .... D23/225  
D543,607 S \* 5/2007 Meyhoefer ..... D23/225  
D651,691 S \* 1/2012 Muetzel et al. .... D23/225  
8,267,331 B2 \* 9/2012 Seabase et al. .... B05B 7/0815  
239/332  
D692,095 S \* 10/2013 Hines et al. .... D23/225  
8,893,990 B2 \* 11/2014 Seitz et al. .... B05B 5/0531  
222/402.13  
D743,001 S \* 11/2015 Moya et al. .... D23/225

\* cited by examiner

*Primary Examiner* — Robin V Webster

(74) *Attorney, Agent, or Firm* — Burr & Brown, PLLC

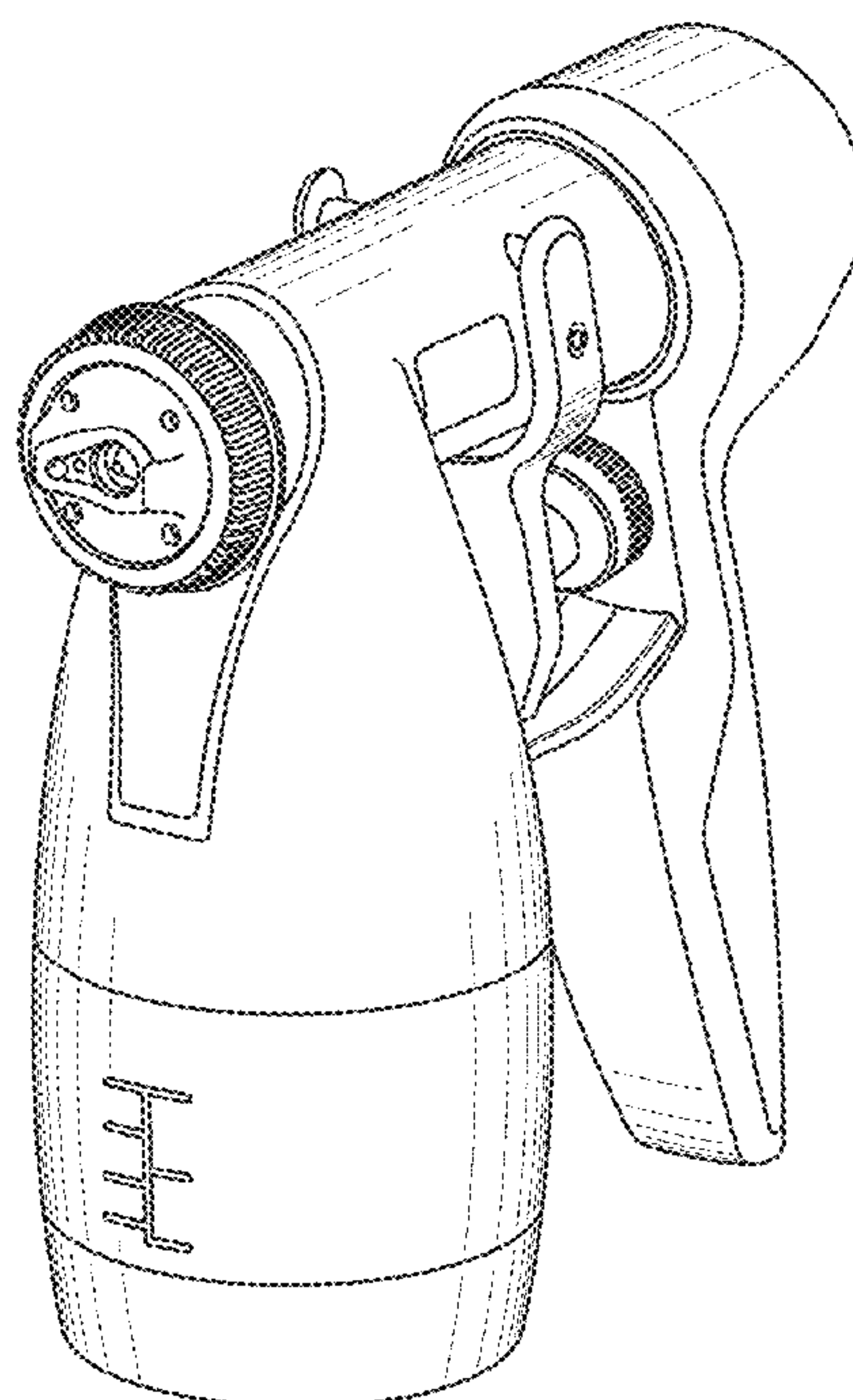
(57) **CLAIM**

The ornamental design for a spray gun for paint, as shown and described.

**DESCRIPTION**

FIG. 1 is a right side view of a spray gun for paint illustrating our new design;  
FIG. 2 is a front view thereof;  
FIG. 3 is a left side view thereof;  
FIG. 4 is a rear view thereof;  
FIG. 5 is a top view thereof;  
FIG. 6 is a bottom view thereof; and,  
FIG. 7 is a front perspective view thereof.

**1 Claim, 7 Drawing Sheets**



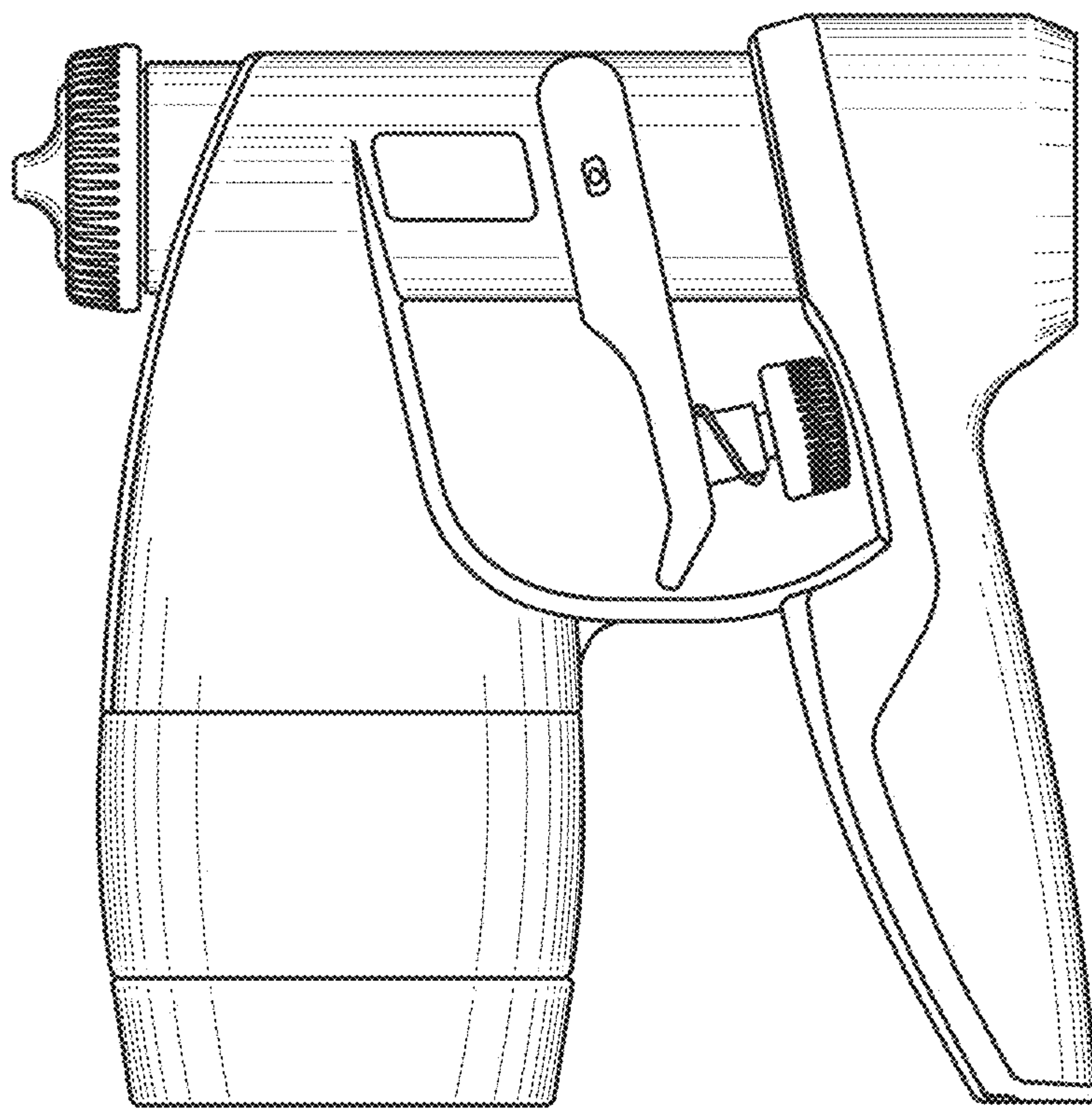


Fig. 1

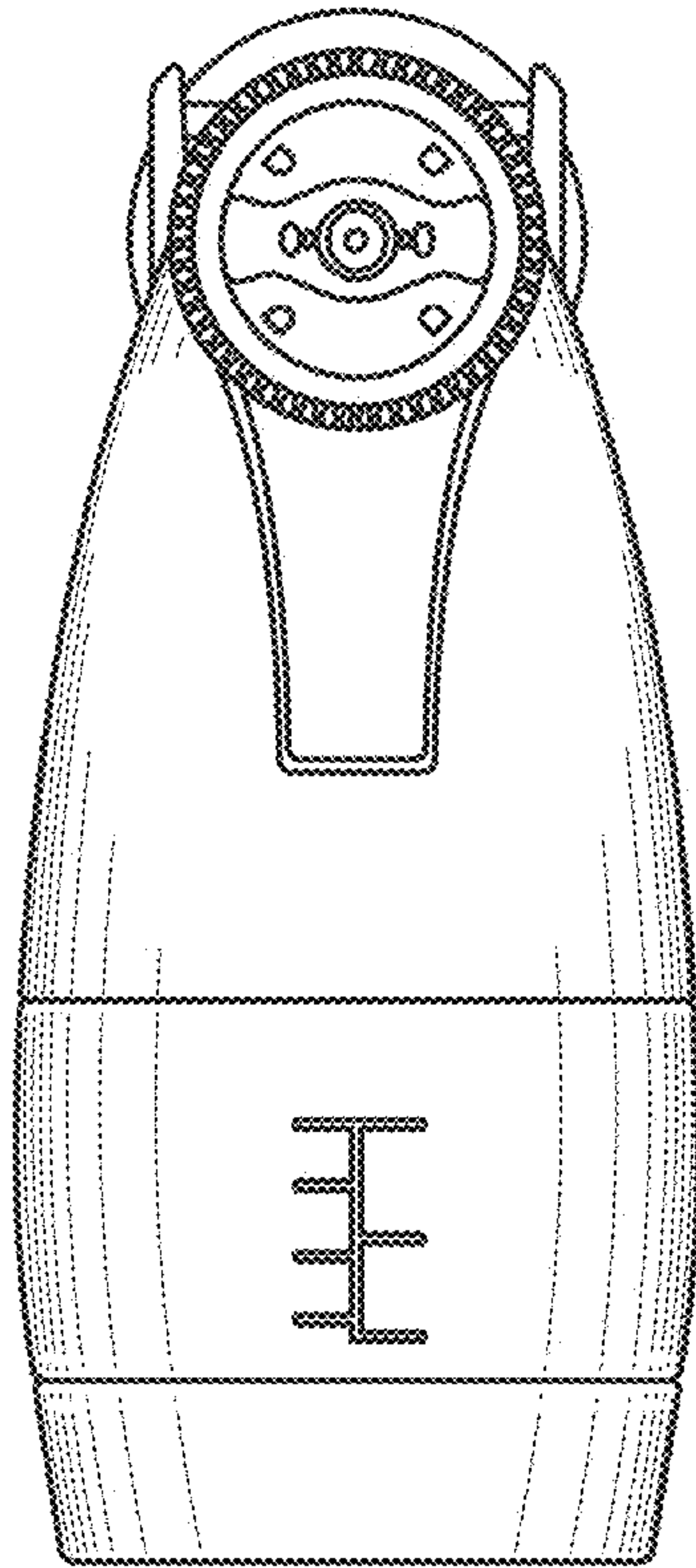


Fig. 2

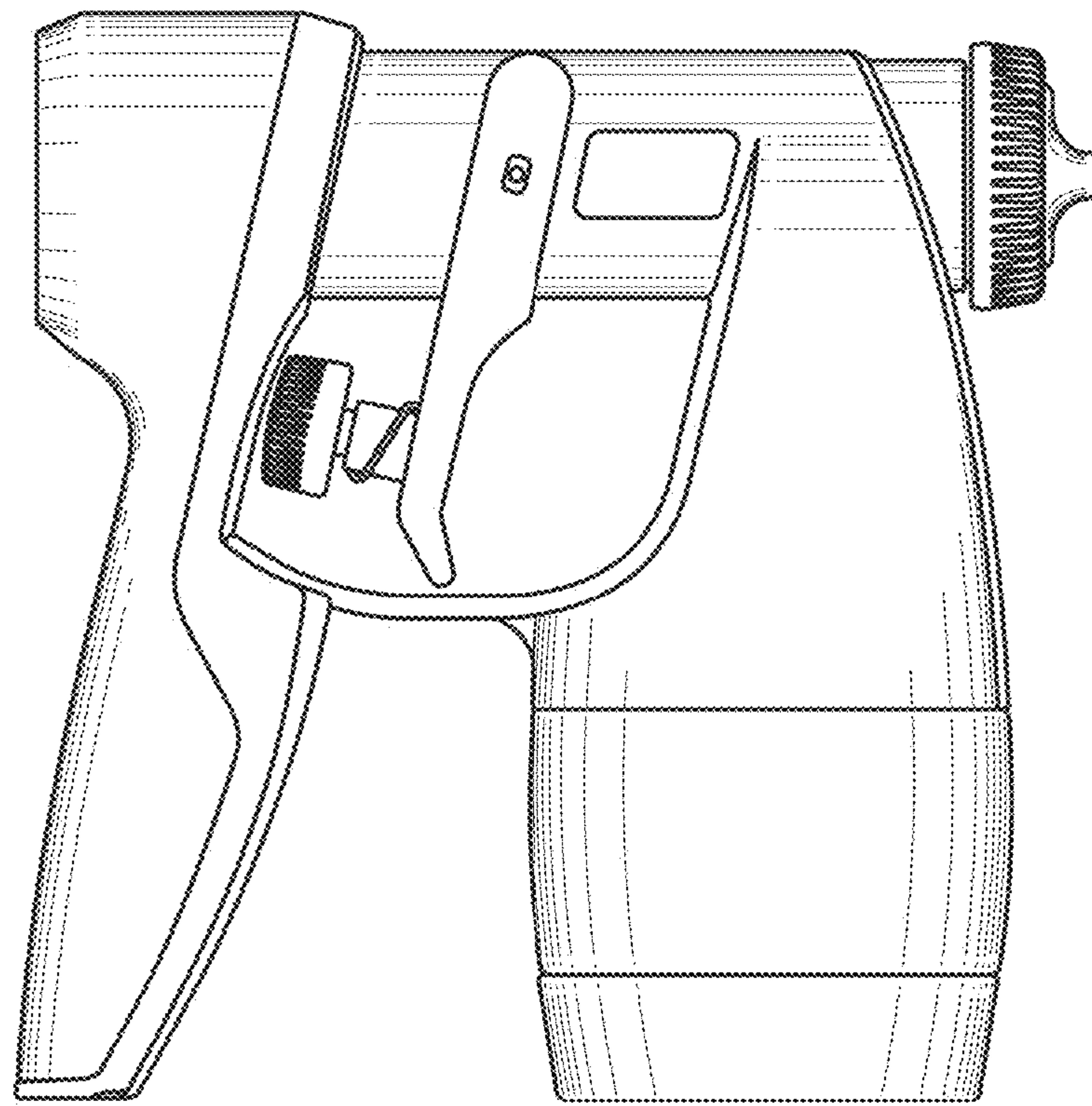


Fig. 3



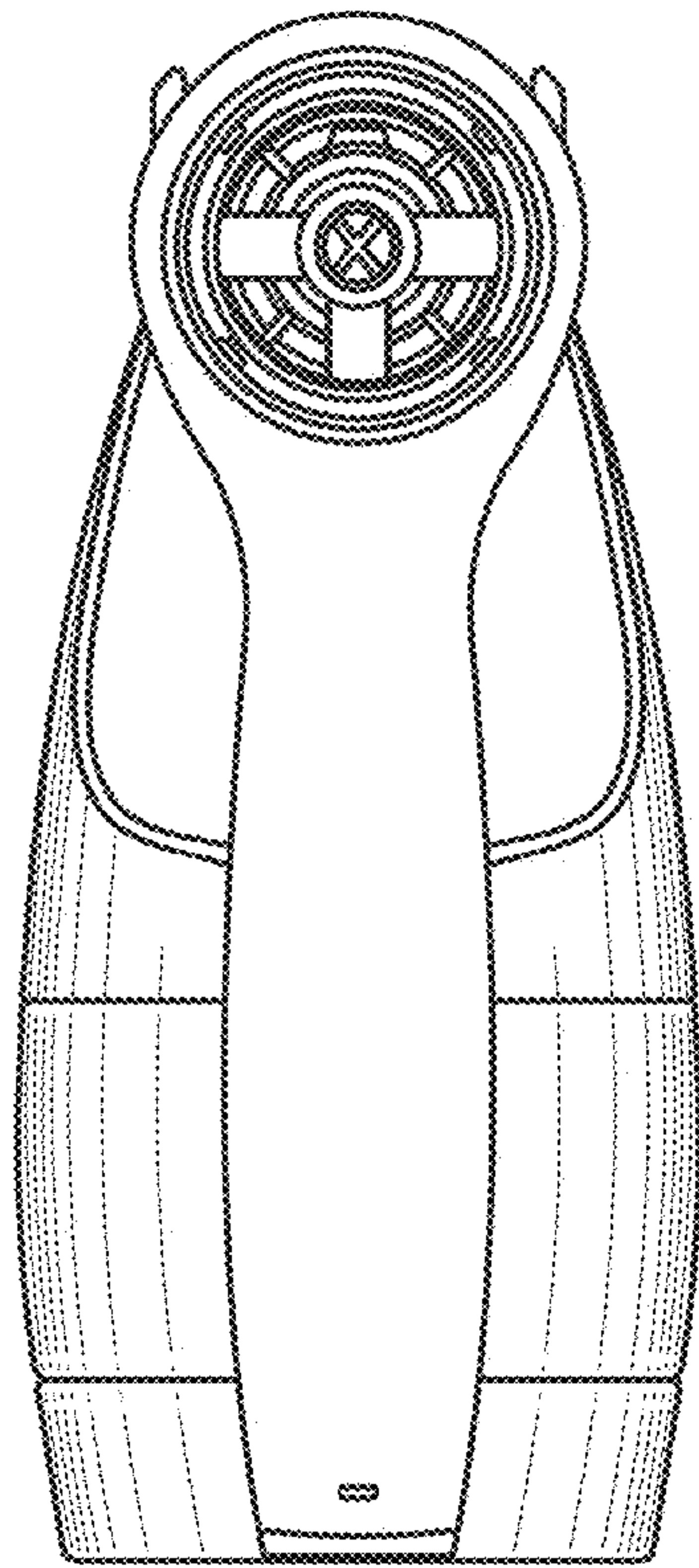


Fig. 4

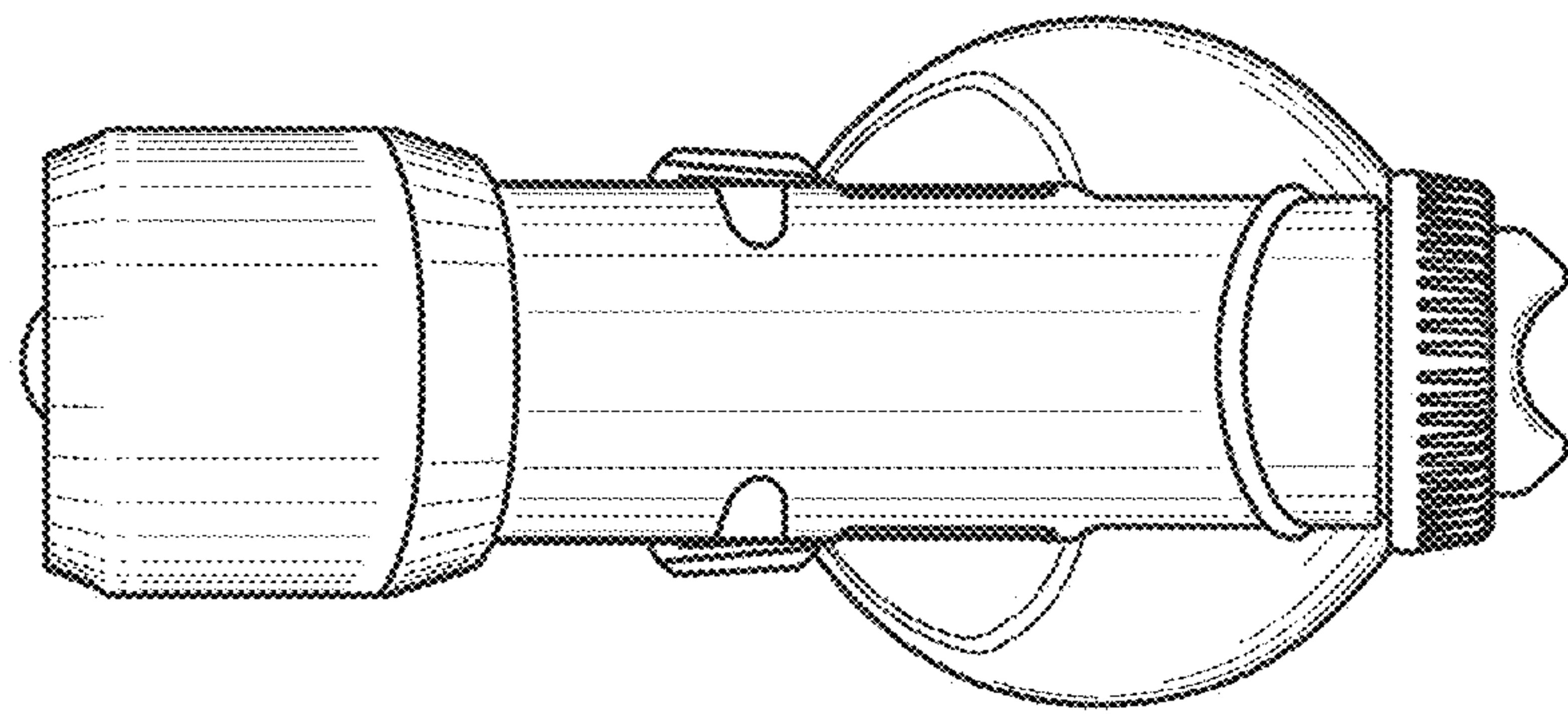


Fig. 5

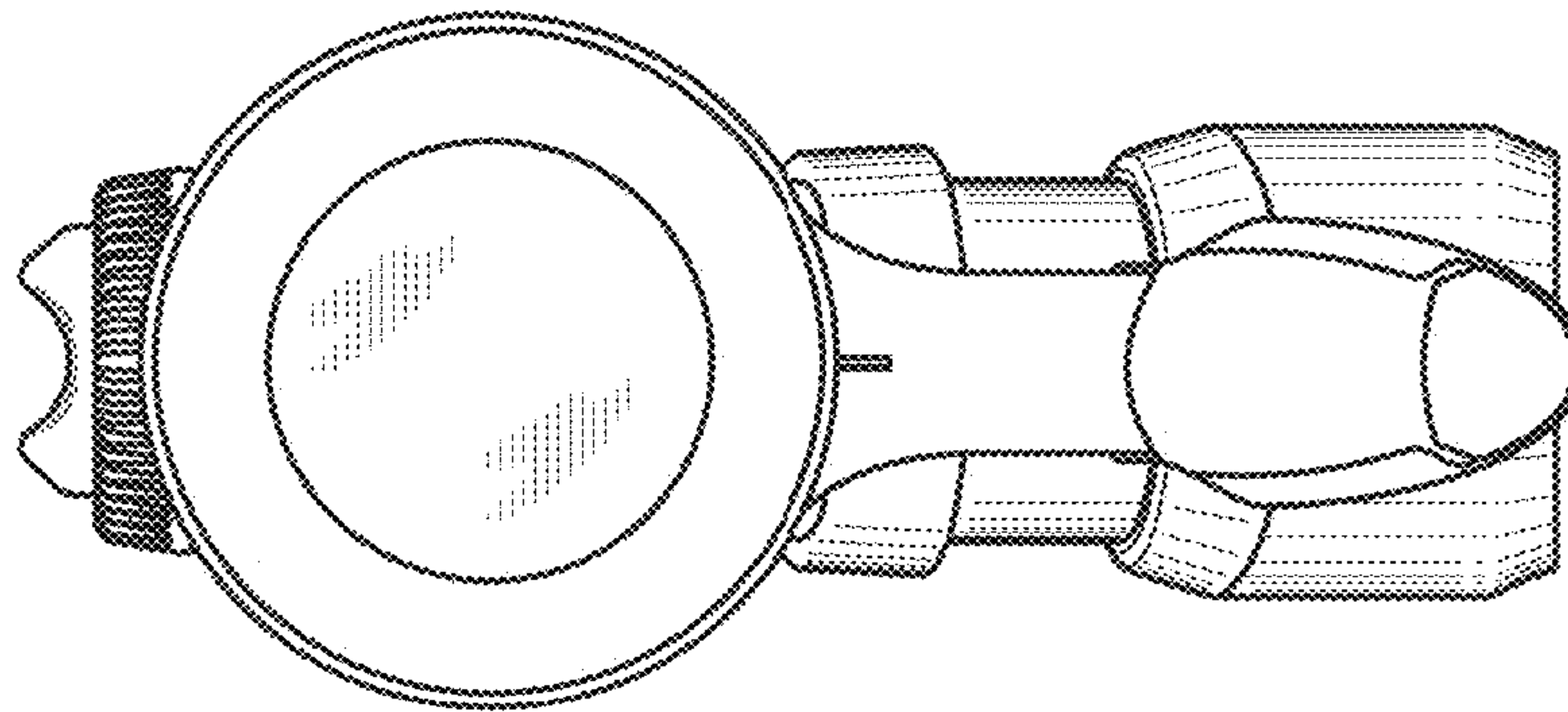


Fig. 6

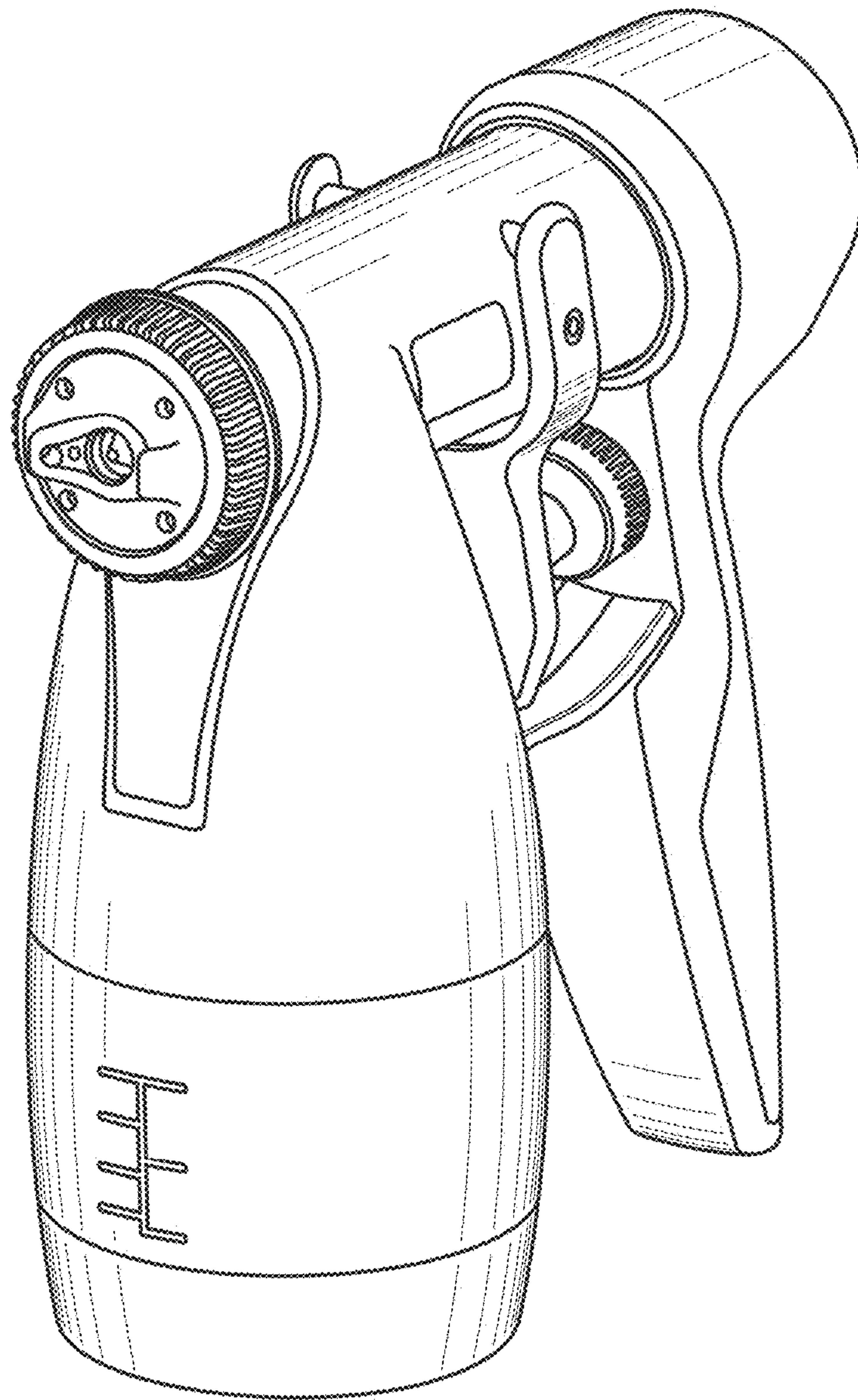


Fig. 7