



US00D782001S

(12) **United States Design Patent**  
**Birch**

(10) **Patent No.:** **US D782,001 S**

(45) **Date of Patent:** **\*\* Mar. 21, 2017**

(54) **FUEL NOZZLE BOTTLE**

(71) Applicant: **Vongie A. Birch**, Miami, FL (US)

(72) Inventor: **Vongie A. Birch**, Miami, FL (US)

(73) Assignee: **Vongie A. Birch**, Miami, FL (US)

(\*\*) Term: **15 Years**

(21) Appl. No.: **29/533,401**

(22) Filed: **Jul. 16, 2015**

(51) **LOC (10) Cl.** ..... **23-01**

(52) **U.S. Cl.**  
USPC ..... **D23/211.2**

(58) **Field of Classification Search**  
USPC ..... D9/500, 516, 530, 763-783, 527, 528,  
D9/531, 535; 215/381-385; 220/660,  
220/669, 675; D23/211.1, 211.2, 212,  
D23/223, 226; D12/218

CPC ..... B21D 51/26; B21D 51/383; B29C 66/71;  
B65D 1/40; B65D 1/0223; B65D 1/0246;  
B65D 17/163; B65D 17/165; B65D  
25/00; B65D 2215/02; B65D 2517/0094;  
B65D 2519/00502; B65D 2543/00296;  
Y10T 29/49826

See application file for complete search history.

(56) **References Cited**

U.S. PATENT DOCUMENTS

D223,915 S *	6/1972	Brown et al. ....	D23/226
D322,656 S *	12/1991	Carder, Sr. ....	D23/226
D376,540 S *	12/1996	Boumil ....	D23/211.2
D497,313 S *	10/2004	Glover ....	D23/211.2
D516,673 S *	3/2006	Chisholm ....	D23/226
D650,047 S *	12/2011	Varini ....	D23/226
D656,221 S *	3/2012	Gevers ....	D23/226
D684,664 S *	6/2013	Gevers ....	D23/226
D732,393 S *	6/2015	Senus ....	D9/528

\* cited by examiner

*Primary Examiner* — Keli L Hill

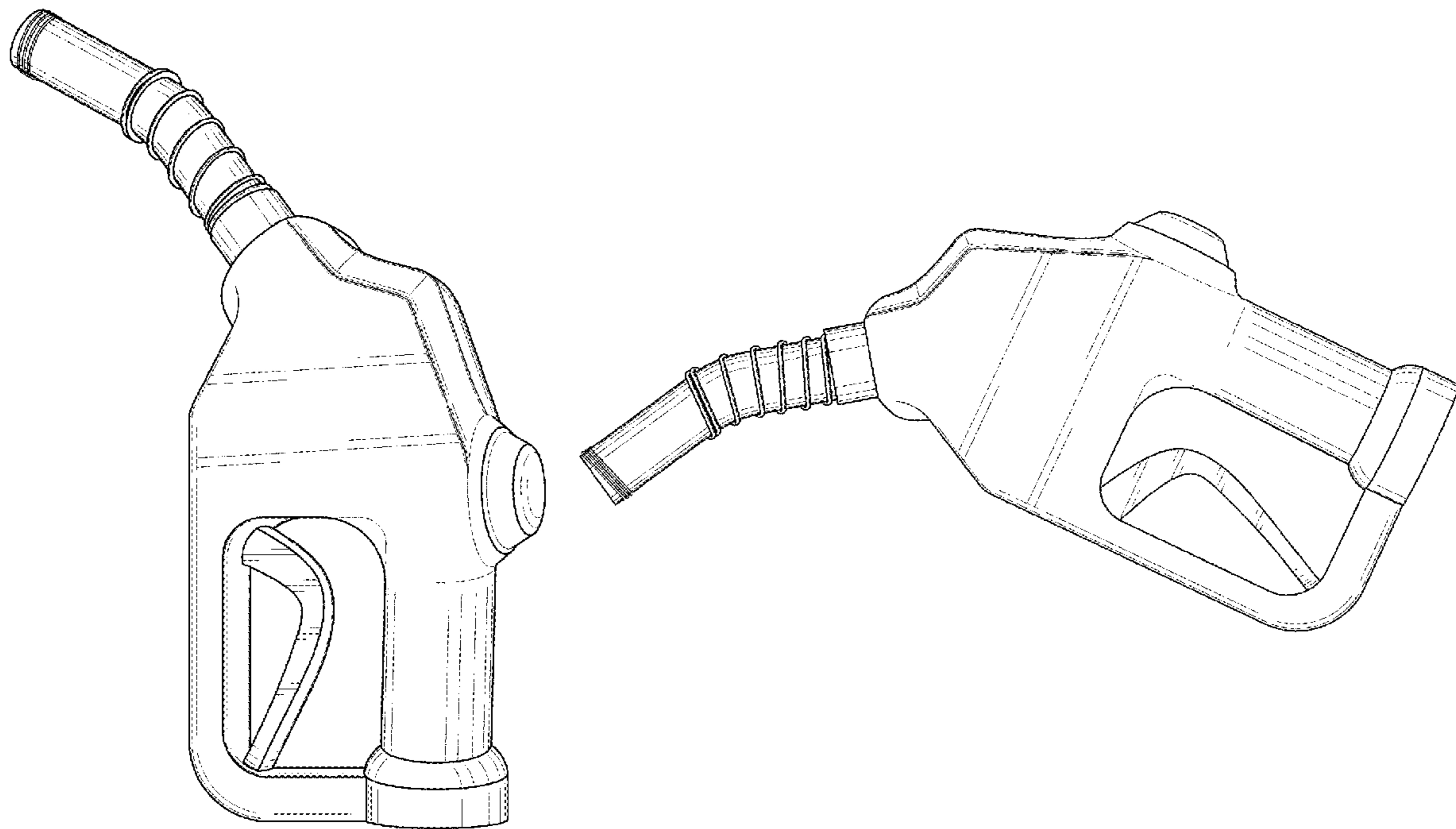
(57) **CLAIM**

The ornamental design for fuel nozzle bottle, as shown and described.

**DESCRIPTION**

FIG. 1 is a side elevational view of a fuel nozzle bottle showing my new design;  
FIG. 2 is a side elevational view thereof;  
FIG. 3 is a top plan view thereof;  
FIG. 4 is a bottom plan view thereof;  
FIG. 5 is a rear elevational view thereof; and,  
FIG. 6 is a front elevational view thereof.

**1 Claim, 4 Drawing Sheets**



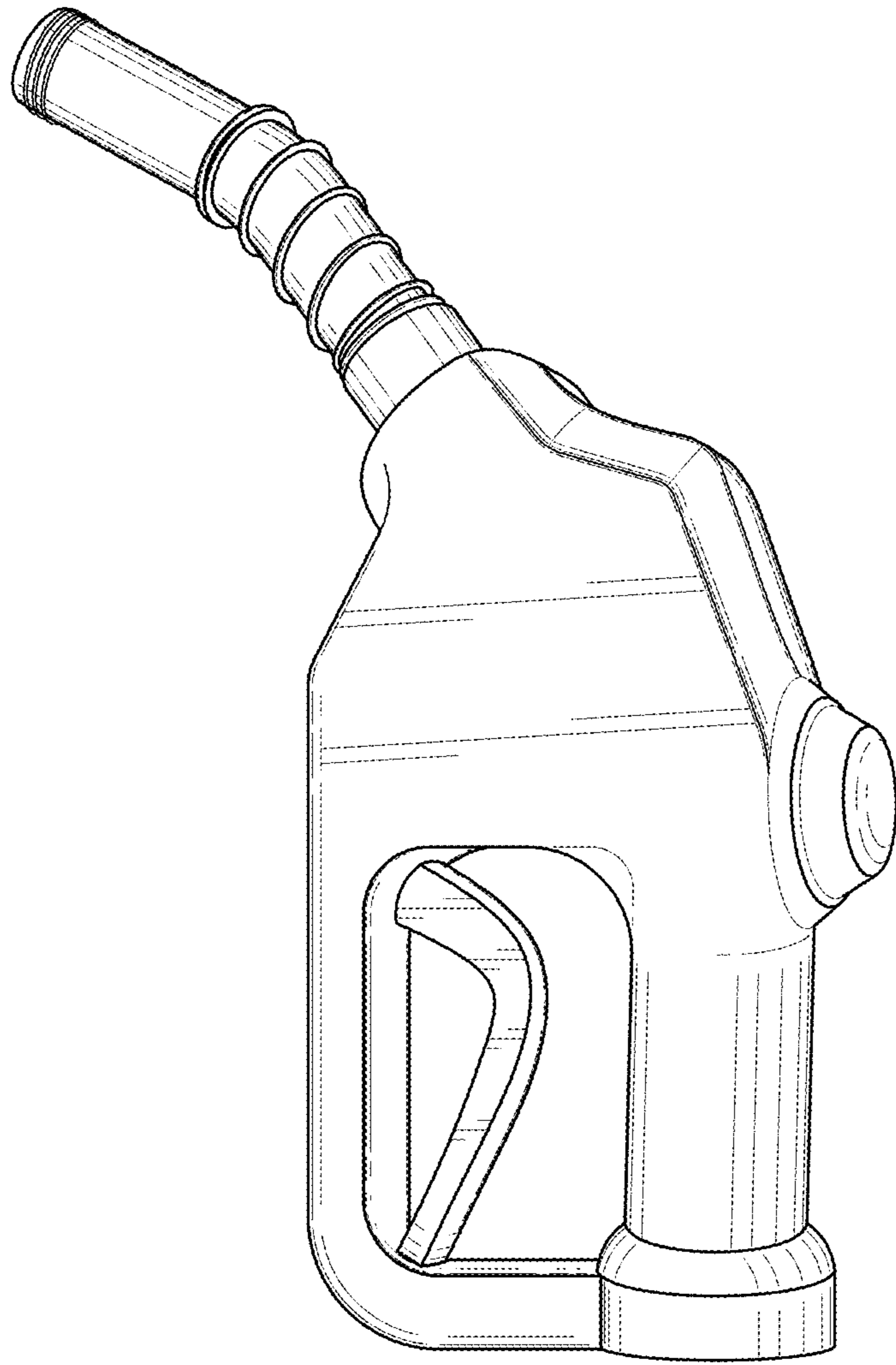


FIG. 1

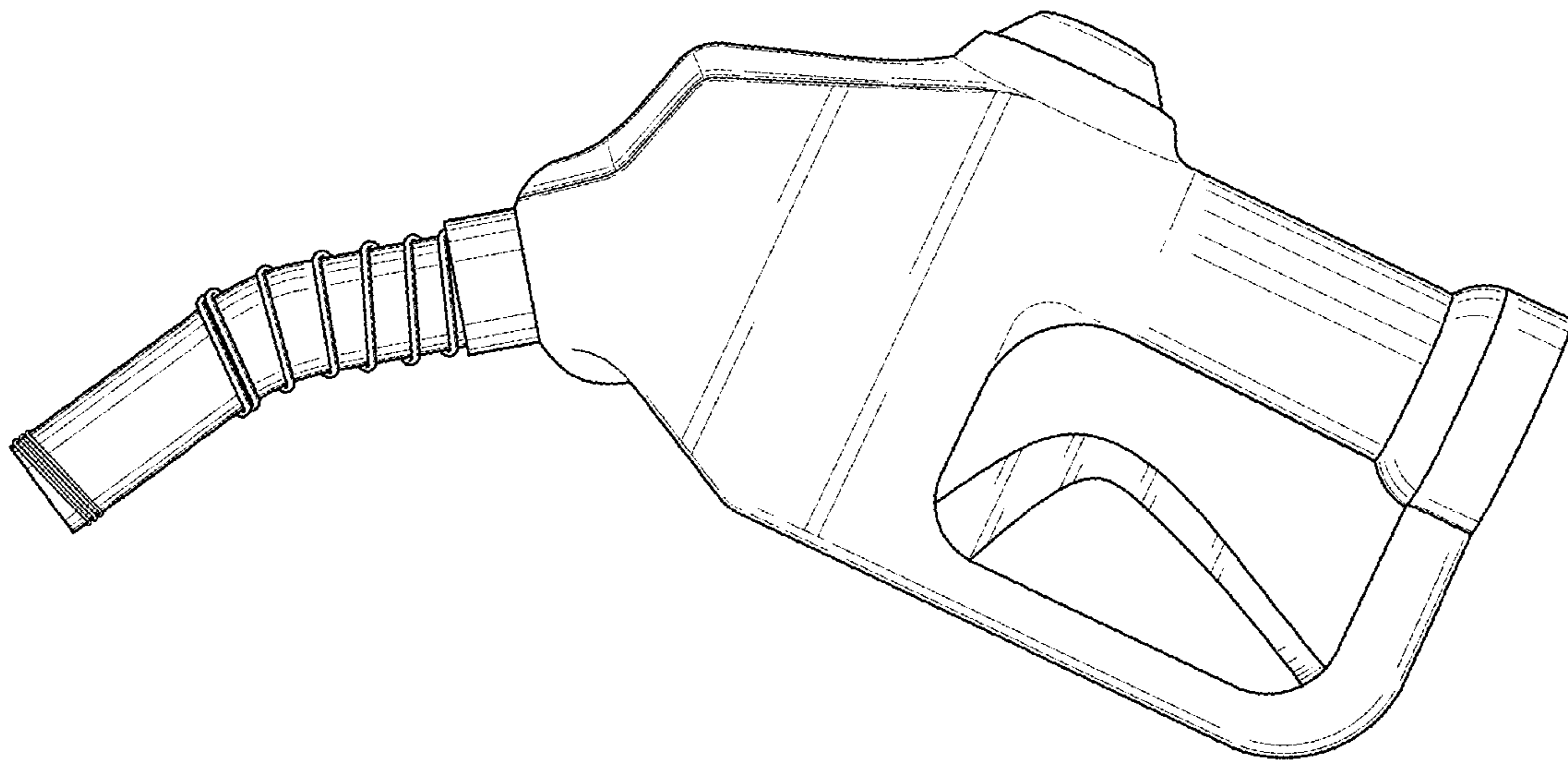


FIG. 2

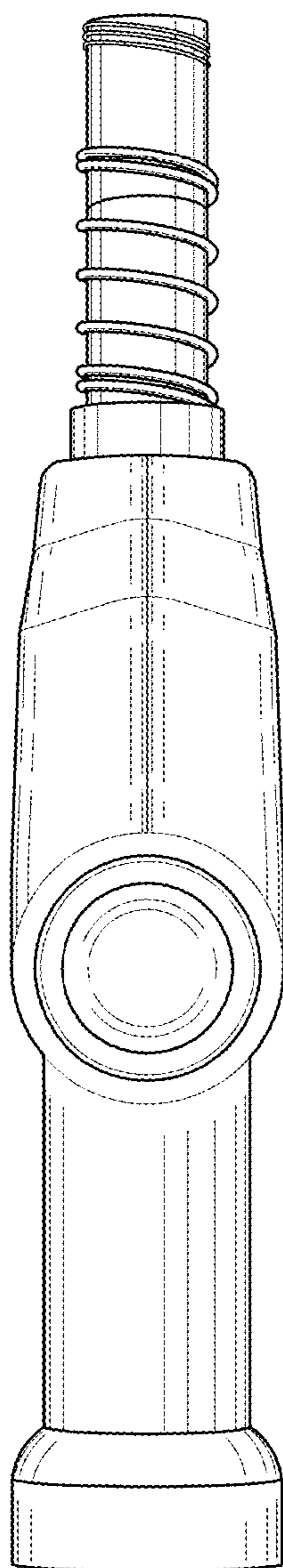


FIG. 3

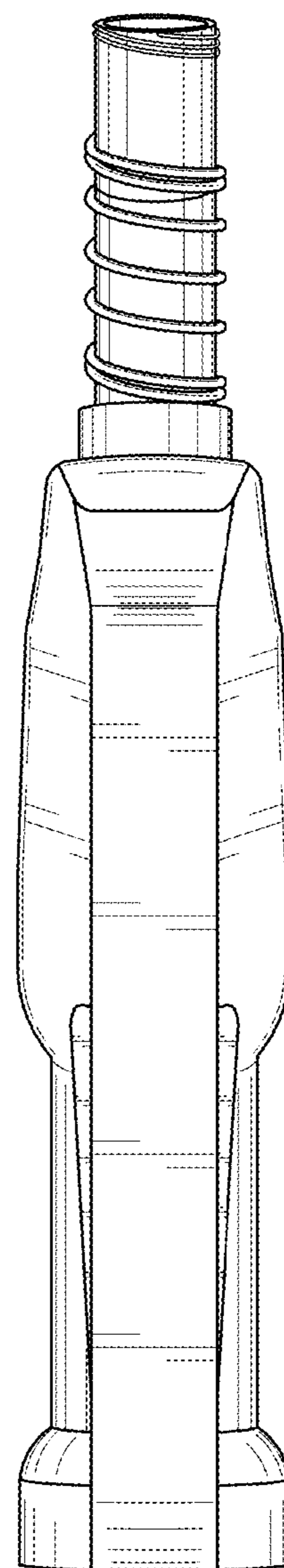


FIG. 4

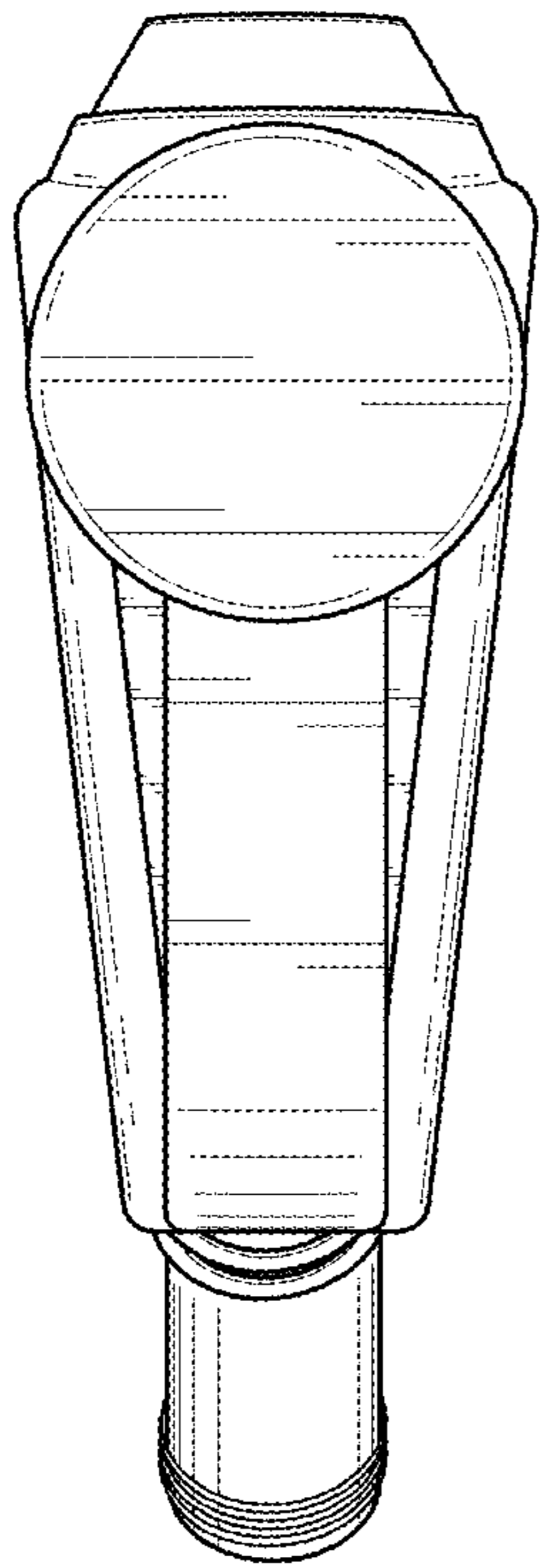


FIG. 5

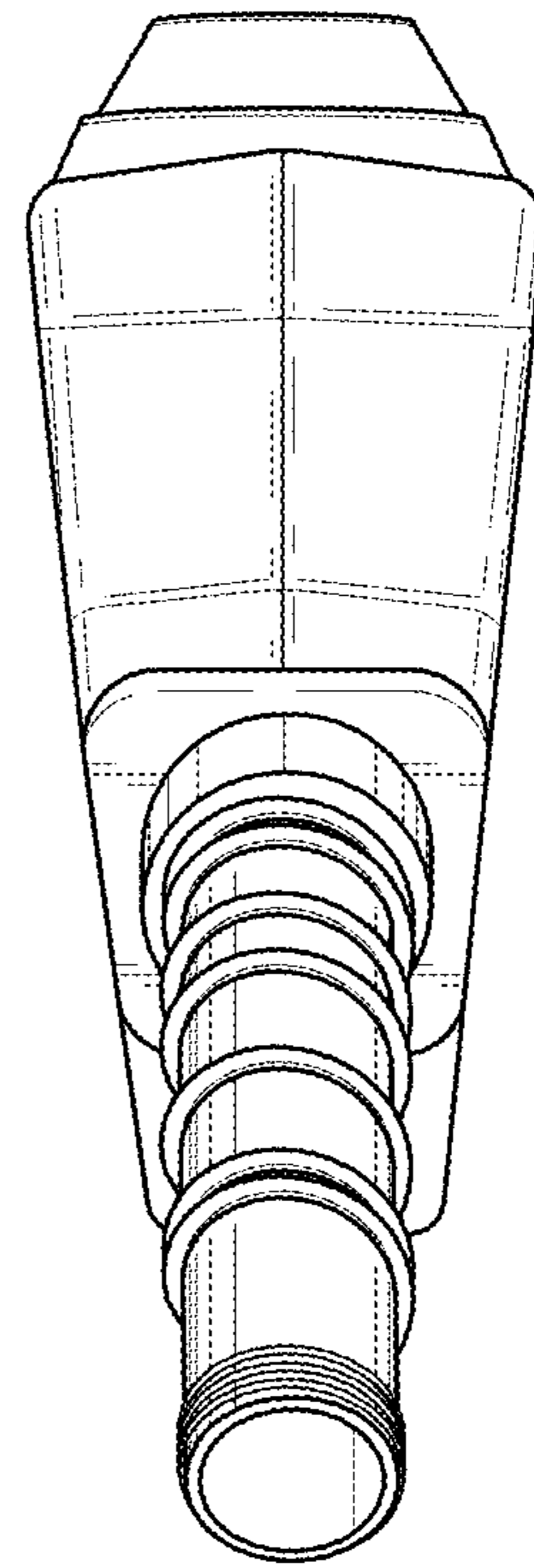


FIG. 6