



US00D781999S

(12) **United States Design Patent** (10) **Patent No.:** **US D781,999 S**  
**Salvati et al.** (45) **Date of Patent:** **\*\* Mar. 21, 2017**

(54) <b>PROPANE TANK HOLDER</b>	7,077,269 B2 7/2006 Kissell
	7,131,618 B2 * 11/2006 Berry ..... F17C 13/084 248/310
(71) Applicant: <b>Finest Advanced Simple Products, LLC, Grand Blanc, MI (US)</b>	7,316,435 B2 1/2008 Leighton
	D564,619 S * 3/2008 Cogswell, Jr. .... D23/206
(72) Inventors: <b>Frank Salvati, Grand Blanc, MI (US); Allan Peel, Flint, MI (US)</b>	D579,514 S 10/2008 Kelps
	7,520,549 B2 4/2009 Leighton
	7,644,819 B2 1/2010 Gill et al.
	7,726,620 B1 6/2010 Kleespie
(73) Assignee: <b>Finest Advanced Simple Products, LLC, Grand Blanc, MI (US)</b>	D630,704 S * 1/2011 Kochanski ..... D23/206
	D641,064 S * 7/2011 Cogswell, Jr. .... D23/206
	D658,267 S 4/2012 Brockington et al.
	D665,871 S * 8/2012 Coupe ..... D23/206

(\*\*) Term: **15 Years**

(21) Appl. No.: **29/553,754**

(22) Filed: **Feb. 4, 2016**

(51) **LOC (10) Cl.** ..... **23-01**

(52) **U.S. Cl.**  
USPC ..... **D23/206**

(58) **Field of Classification Search**  
USPC ..... D23/206; D6/552, 567; 220/628, 737;  
248/346.01-346.06; 211/71.01; 206/446  
See application file for complete search history.

(56) **References Cited**

**U.S. PATENT DOCUMENTS**

4,095,720 A	6/1978	Delbrouck et al.	
4,907,712 A	3/1990	Stempin	
D331,792 S *	12/1992	Wilcox	D23/206
5,836,554 A *	11/1998	Lesage	F24H 9/06 122/13.01
6,067,913 A	5/2000	Bennett	
6,302,291 B1	10/2001	McCleerey	
6,745,987 B2 *	6/2004	Rousselet	B65D 25/24 248/205.5
6,978,671 B1	12/2005	Meggs et al.	

(Continued)

Primary Examiner — Robin V Webster  
(74) *Attorney, Agent, or Firm* — Bejin Bieneman PLC

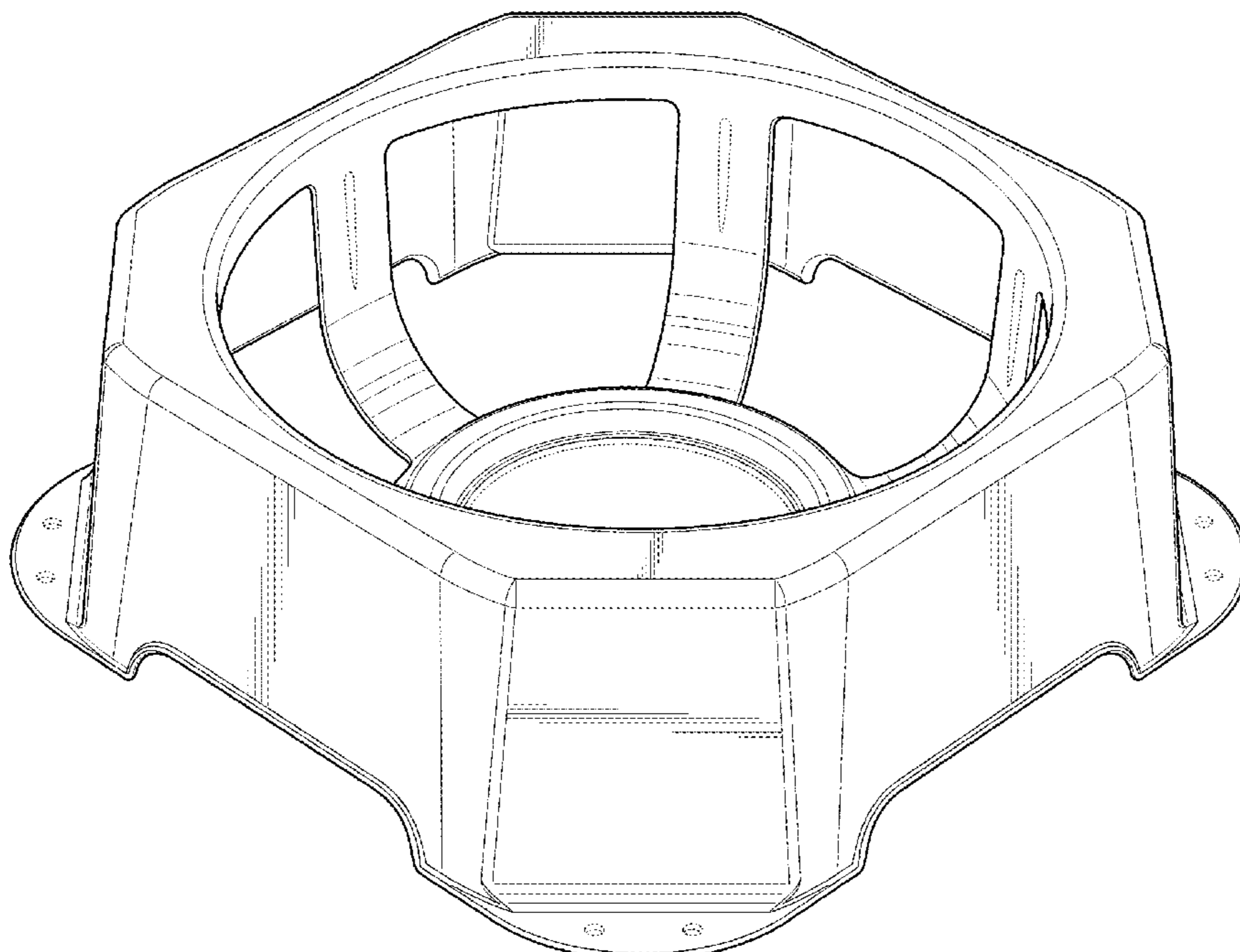
(57) **CLAIM**

The ornamental design for a propane tank holder, as shown and described.

**DESCRIPTION**

FIG. 1 is a perspective view of a propane tank holder; FIG. 2 is another perspective view of the propane tank holder; FIG. 3 is a left side view of the propane tank holder; FIG. 4 is a front view of the propane tank holder; FIG. 5 is a right side view of the propane tank holder; FIG. 6 is a rear view of the propane tank holder; FIG. 7 is a top view of the propane tank holder; and, FIG. 8 is a bottom view of the propane tank holder. Broken lines in the Figures depict portions of the propane tank holder that are not claimed and form no part of the claimed design.

**1 Claim, 6 Drawing Sheets**



(56)

**References Cited**

U.S. PATENT DOCUMENTS

D682,982 S \* 5/2013 Wood ..... D23/206  
D733,380 S 6/2015 Kessler  
2004/0188308 A1 9/2004 Mulligan

\* cited by examiner

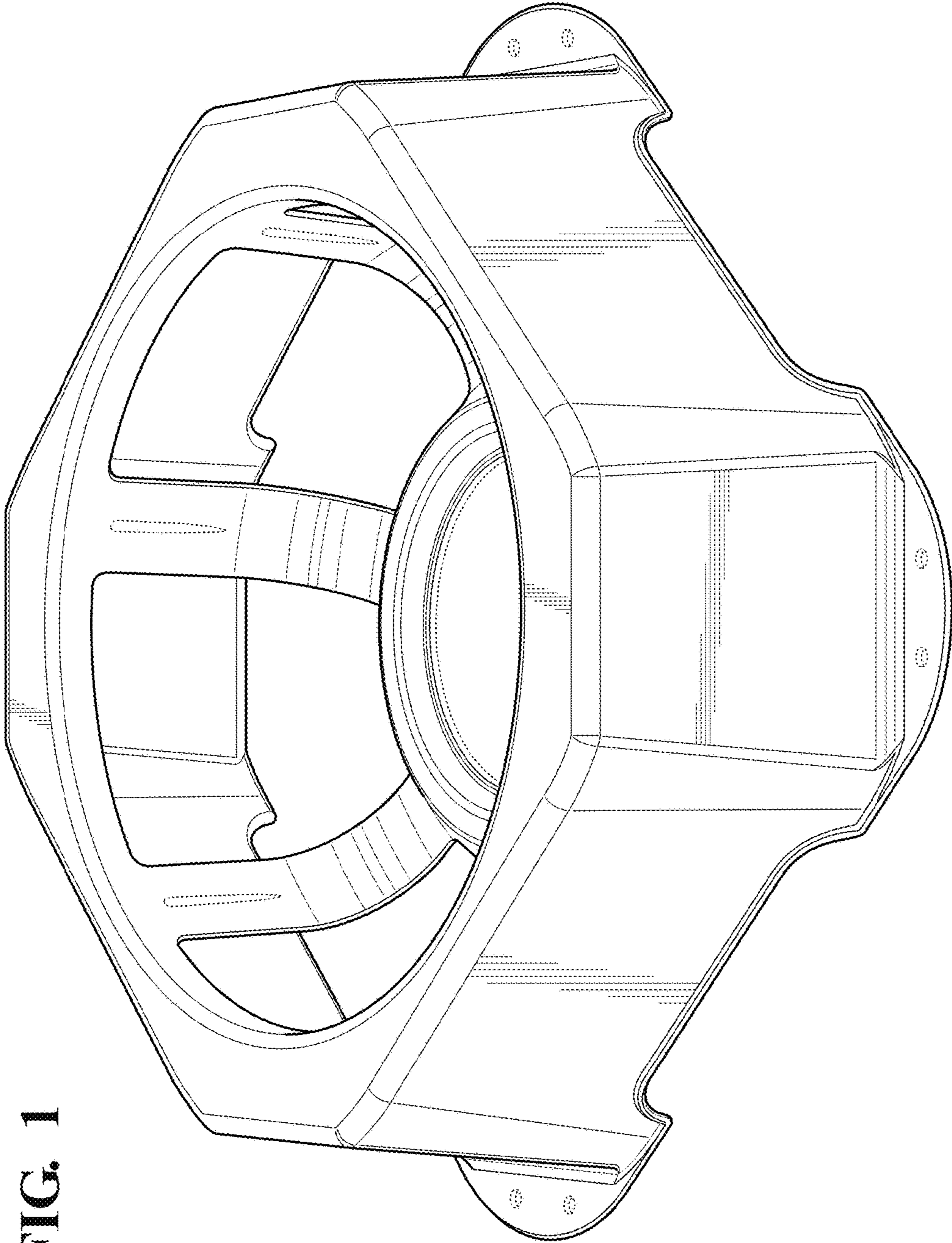


FIG. 1

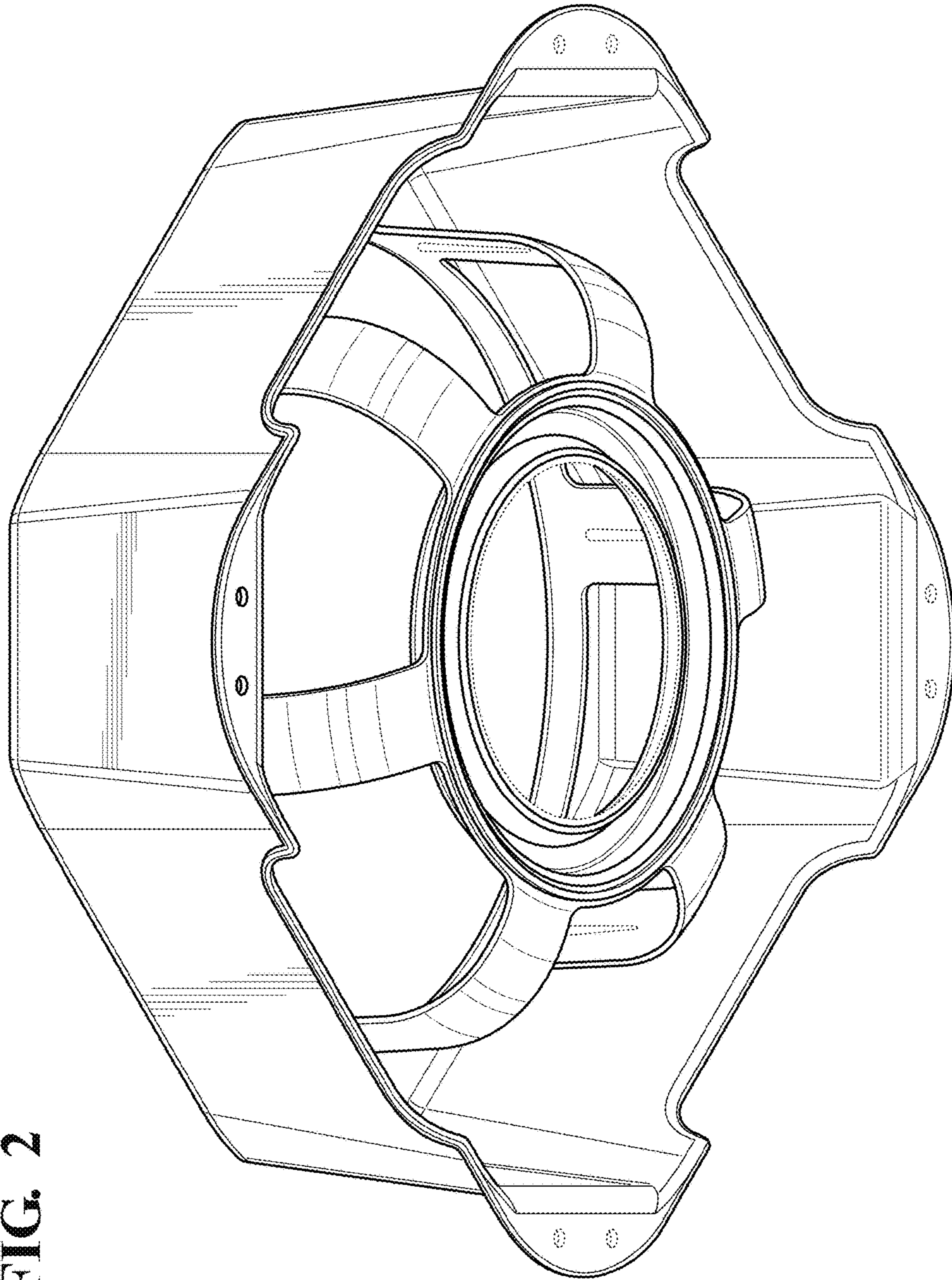


FIG. 2

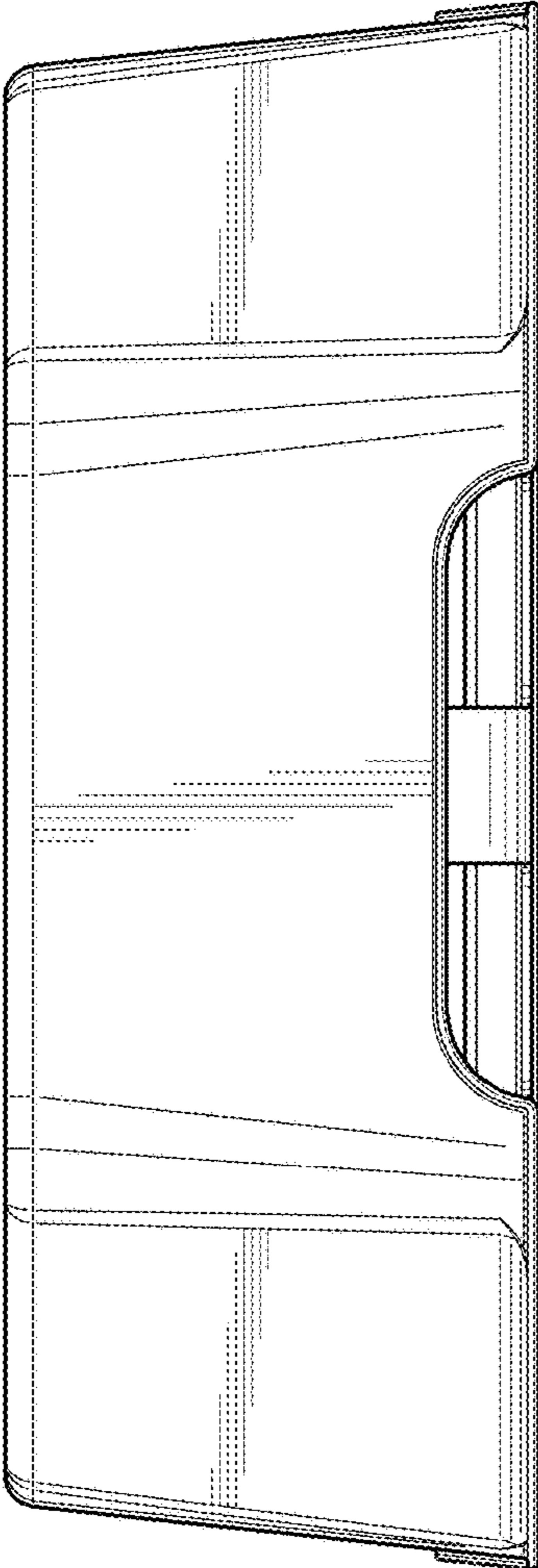


FIG. 3

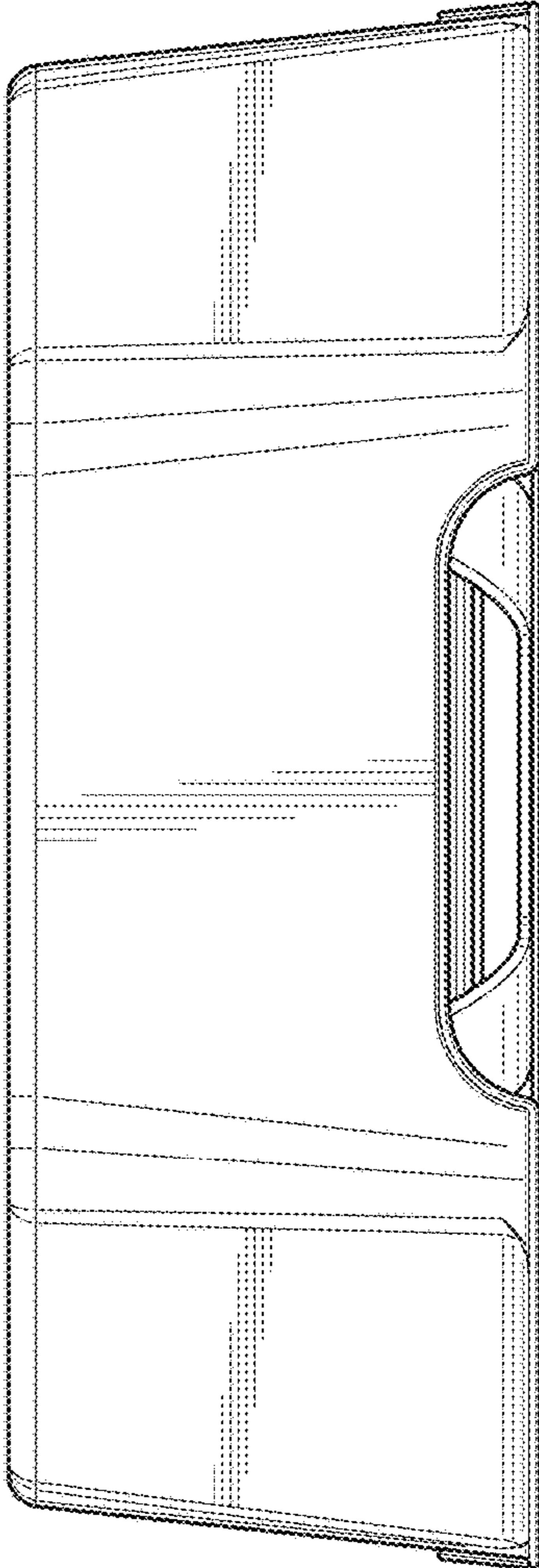


FIG. 4

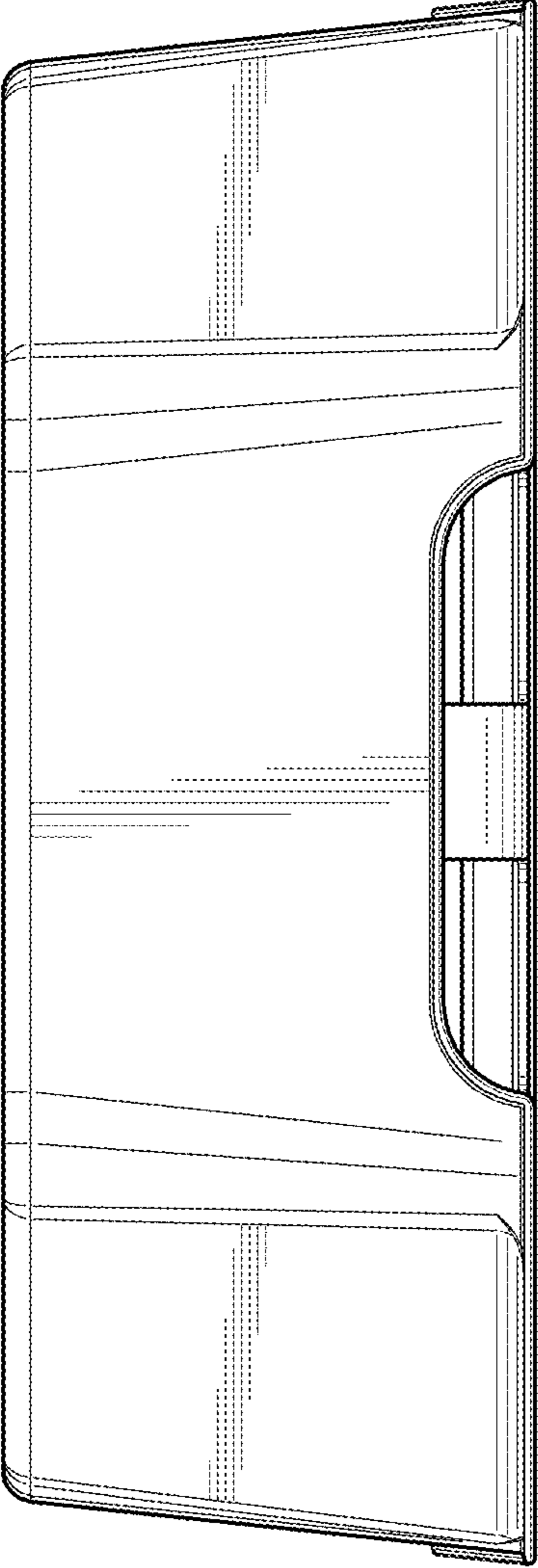


FIG. 5

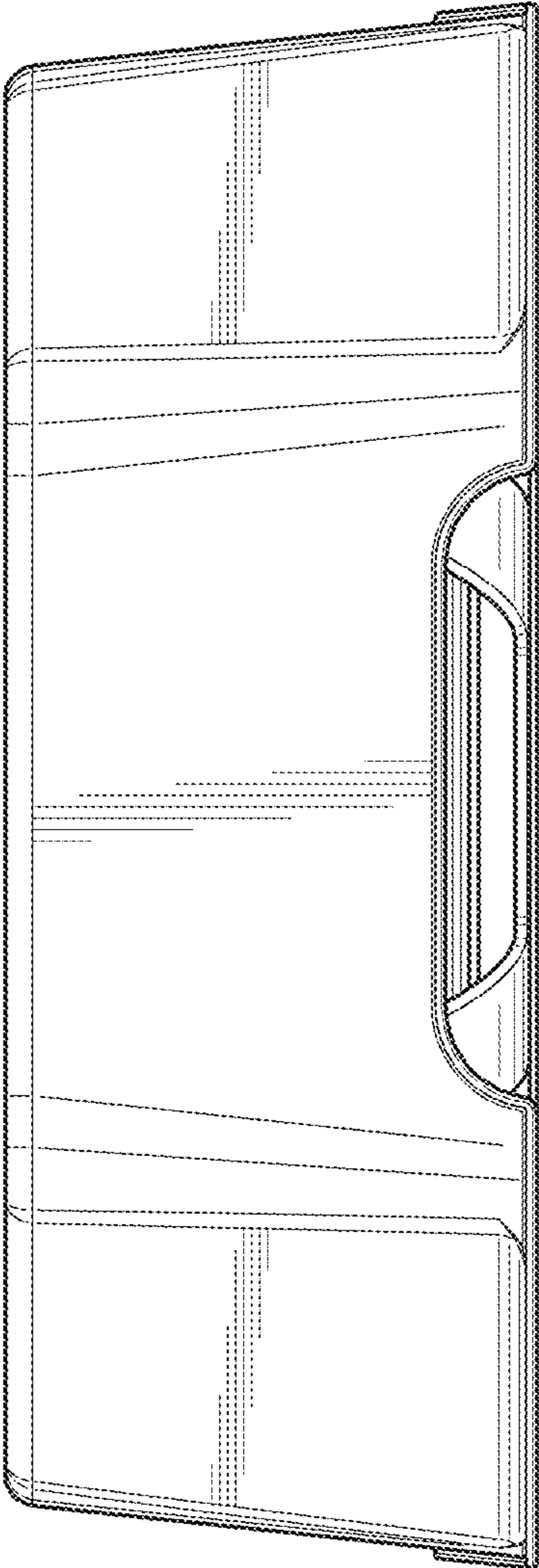


FIG. 6

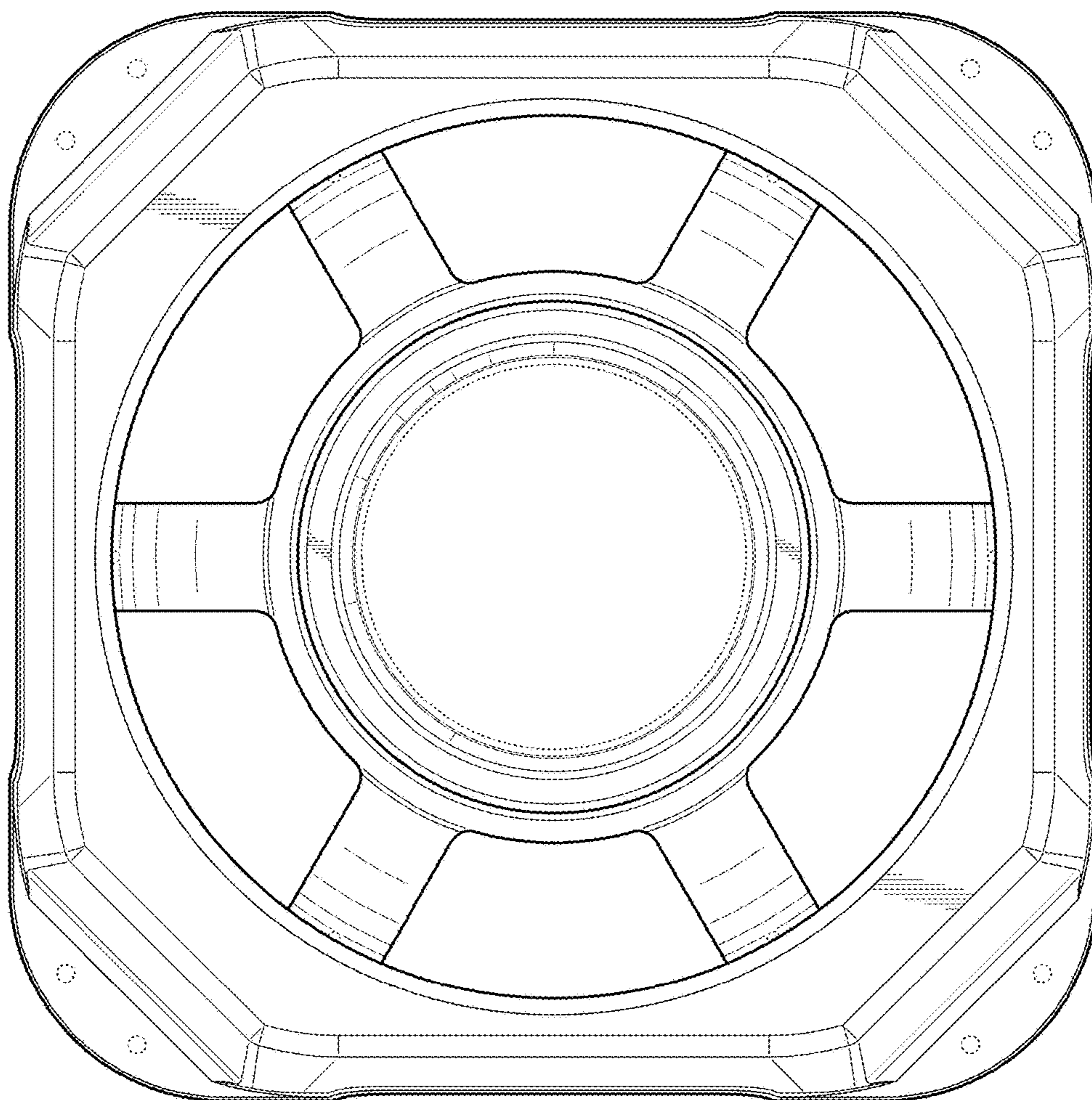
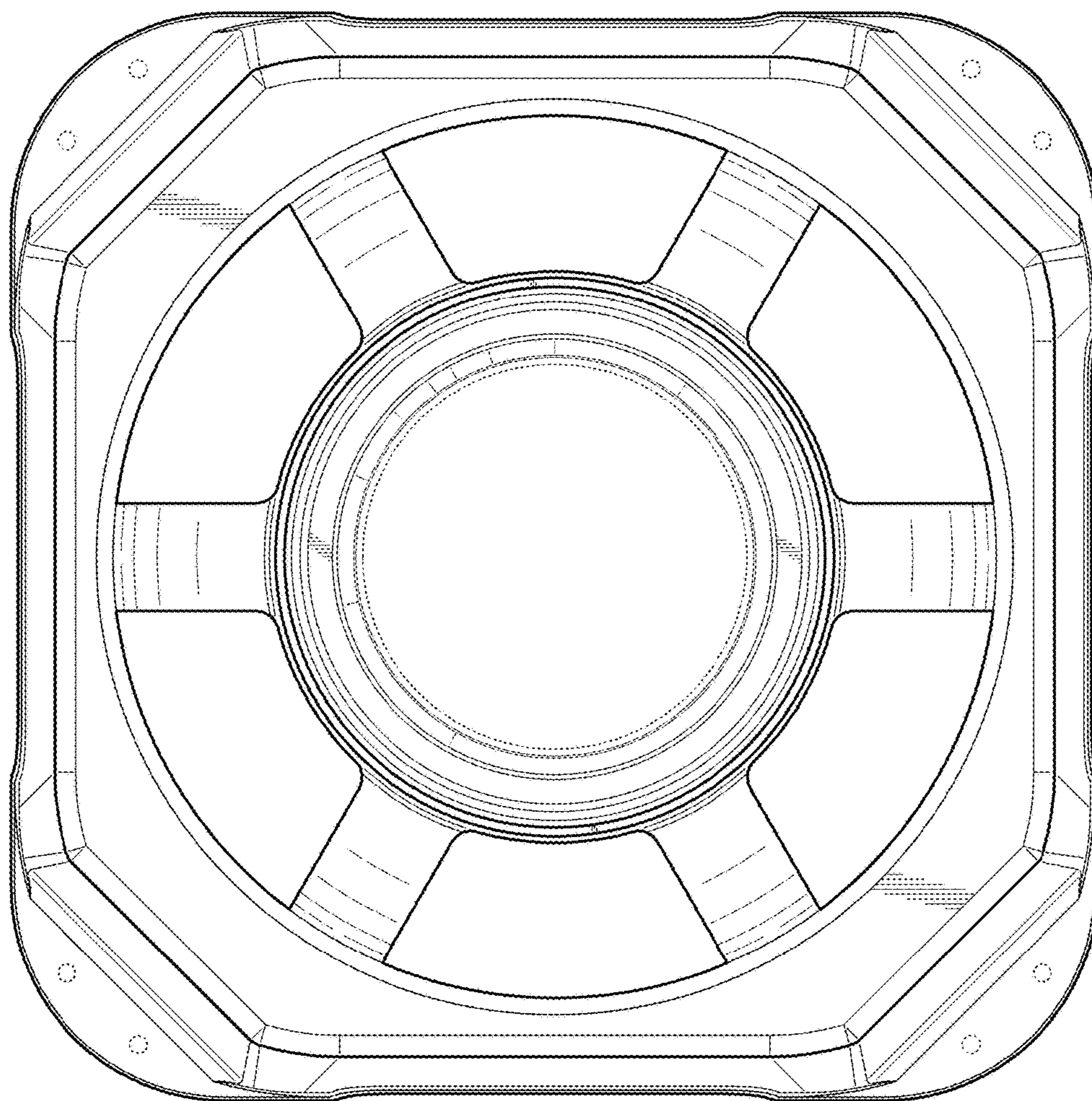


FIG. 7



**FIG. 8**