



US00D781998S

(12) **United States Design Patent**
Ruzicka

(10) **Patent No.:** **US D781,998 S**

(45) **Date of Patent:** **** Mar. 21, 2017**

(54) **SOLAR POWERED WATER MIXING
DEVICE**

(71) Applicant: **Wayne Ruzicka**, Wilton, ND (US)

(72) Inventor: **Wayne Ruzicka**, Wilton, ND (US)

(**) Term: **15 Years**

(21) Appl. No.: **29/543,888**

(22) Filed: **Oct. 29, 2015**

(51) **LOC (10) Cl.** **23-01**

(52) **U.S. Cl.**
USPC **D23/200**; D13/102

(58) **Field of Classification Search**
USPC D23/200, 207, 208, 209; 202/83;
159/903, 904; 261/91; D13/102;
366/336
CPC ... B01D 3/04; B01D 3/008; C02F 3/16; C02F
1/14

See application file for complete search history.

(56) **References Cited**

U.S. PATENT DOCUMENTS

2,412,466	A *	12/1946	Miller, Jr.	C02F 1/14 126/624
3,397,117	A *	8/1968	Smith	B63C 9/06 202/234
3,415,719	A *	12/1968	Telkes	B01D 5/0066 159/904
4,219,387	A *	8/1980	Gruntman	B01D 1/0005 159/904

D311,516	S *	10/1990	Geisler, Jr.	D13/102
5,021,154	A *	6/1991	Haegeman	C02F 3/165 210/221.2
5,110,510	A *	5/1992	Norcross	B01F 3/04539 210/242.2
5,112,446	A *	5/1992	Vallon	C02F 1/14 202/185.2
D357,057	S *	4/1995	Thomas	D23/200
6,432,302	B1 *	8/2002	Obritsch	B01F 3/04773 210/170.05
7,008,515	B1 *	3/2006	Husson, Jr.	B01D 1/0005 159/904
D652,374	S *	1/2012	Mercer	D13/102
D724,011	S *	3/2015	Keller	D13/102

* cited by examiner

Primary Examiner — Robin V Webster

(74) *Attorney, Agent, or Firm* — Dale J. Ream

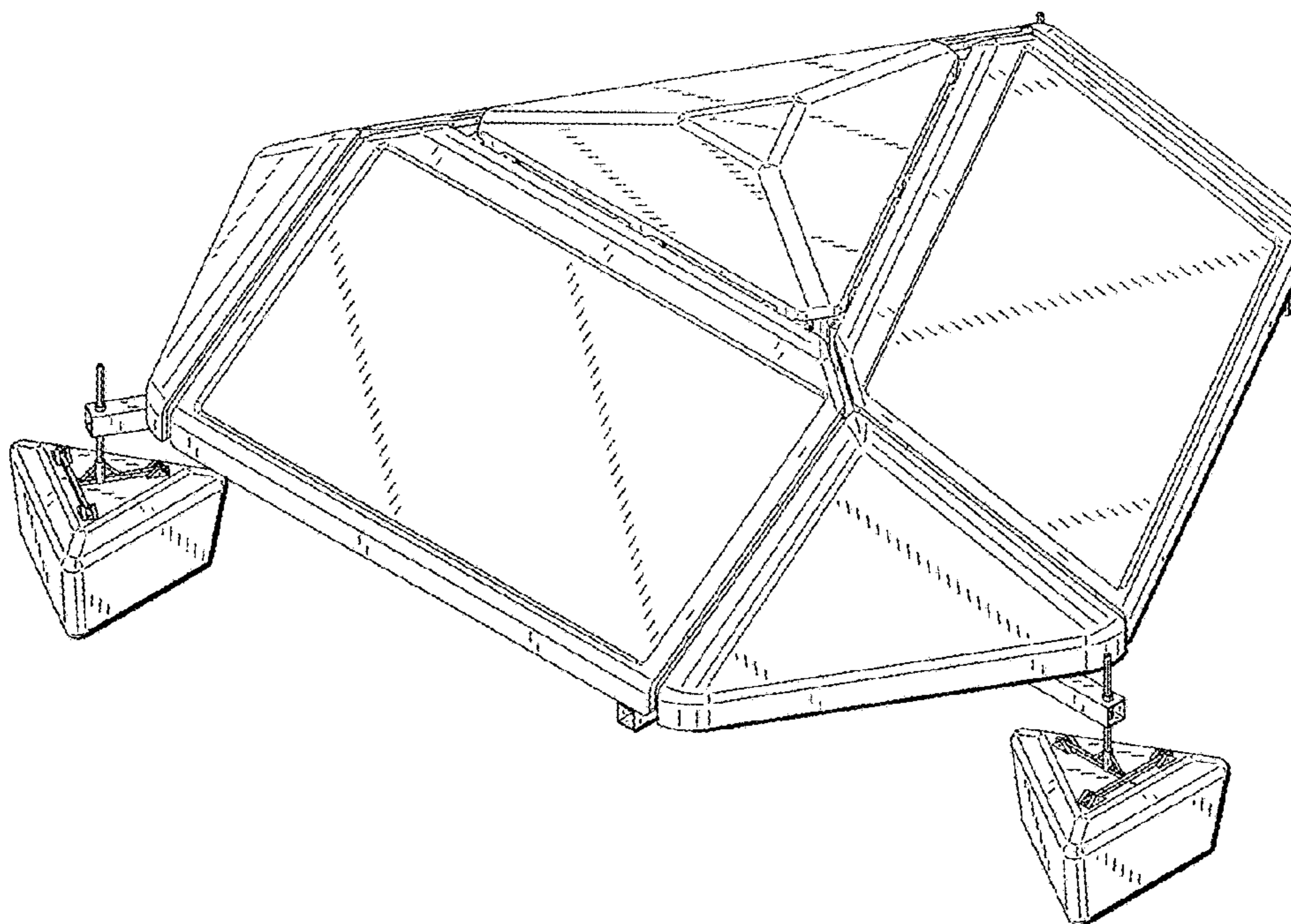
(57) **CLAIM**

The ornamental design for a solar powered water mixing device, as shown and described.

DESCRIPTION

FIG. 1 is a perspective view of a solar powered water mixing device showing my new design;
FIG. 2 is a front view thereof;
FIG. 3 is a back view thereof;
FIG. 4 is a right side view thereof;
FIG. 5 is a left side view thereof;
FIG. 6 is a top view thereof; and,
FIG. 7 is a bottom view thereof.

1 Claim, 7 Drawing Sheets



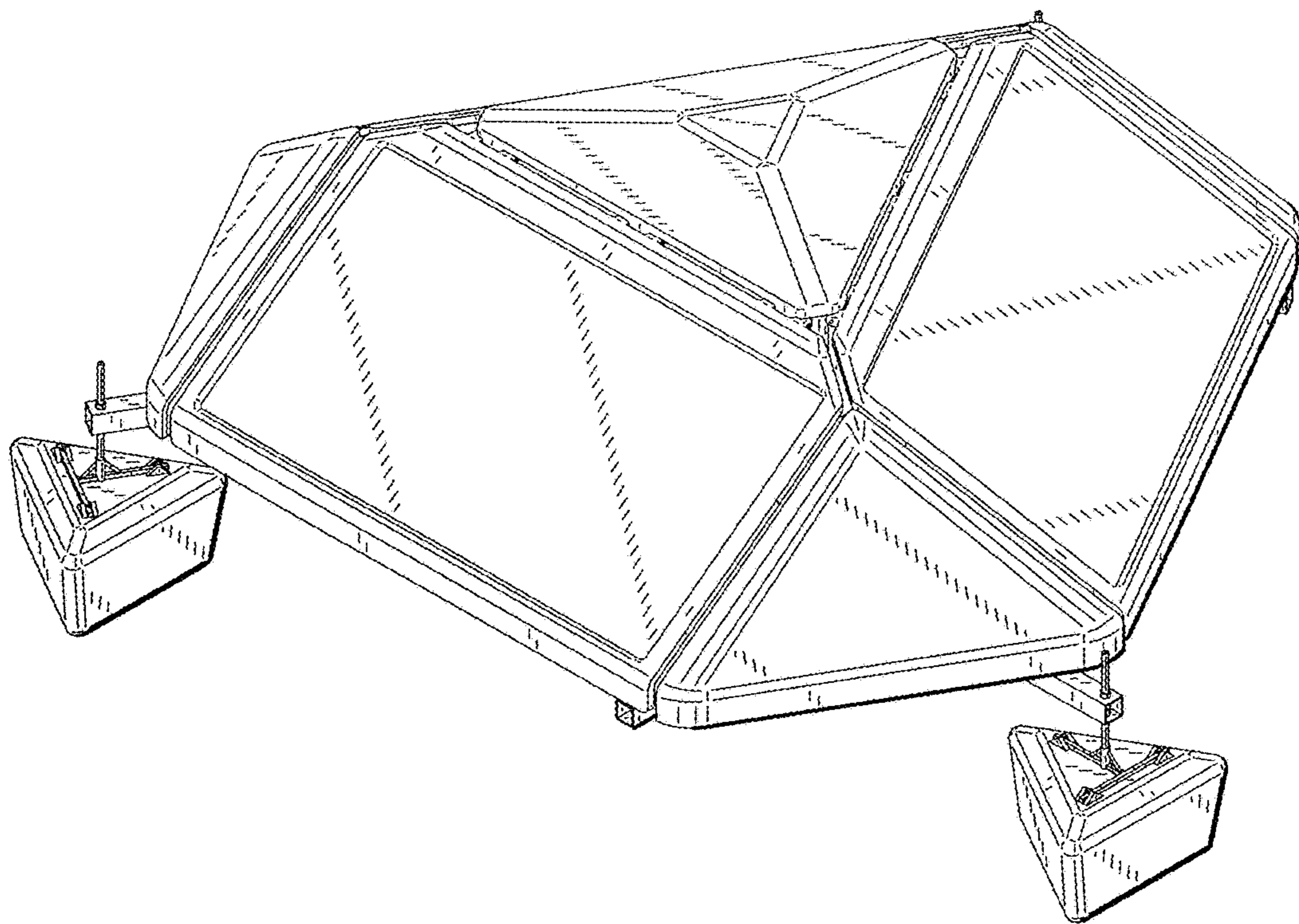


FIG. 1

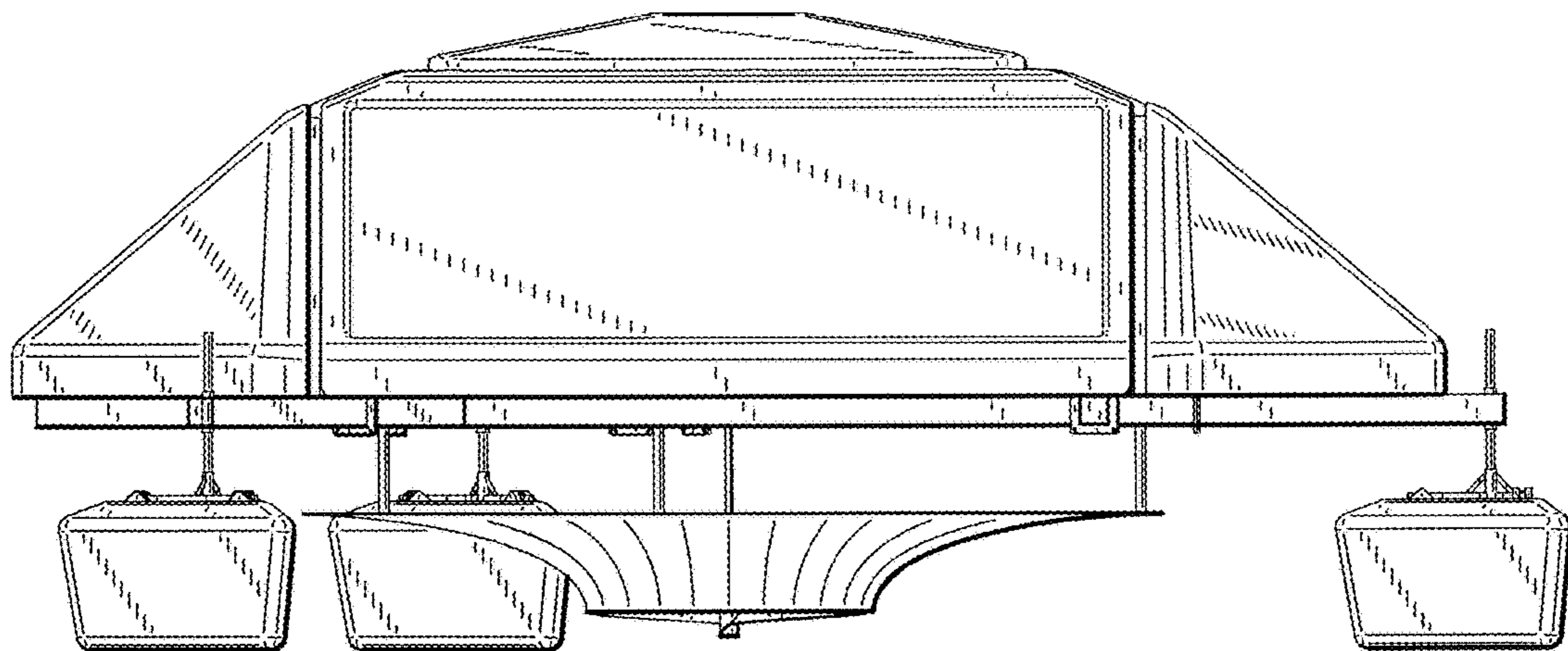


FIG. 2

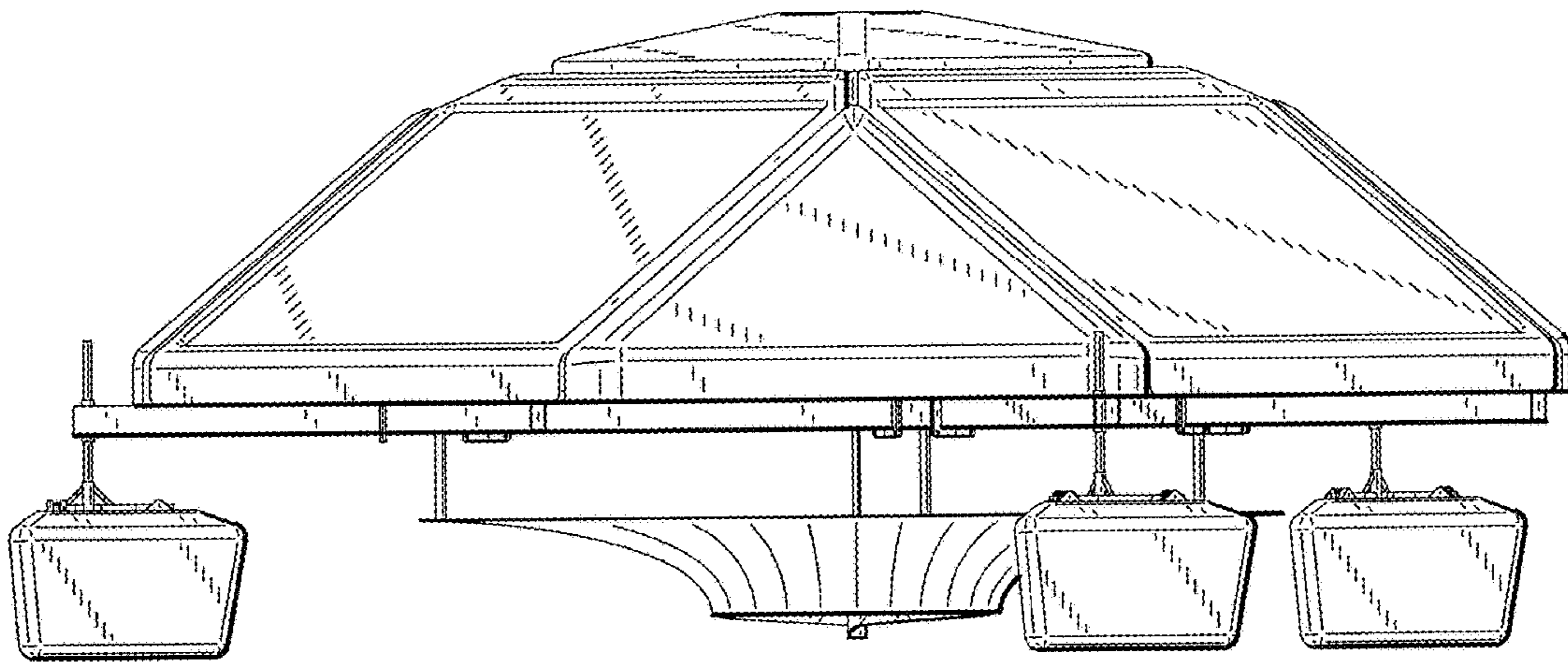


FIG. 3

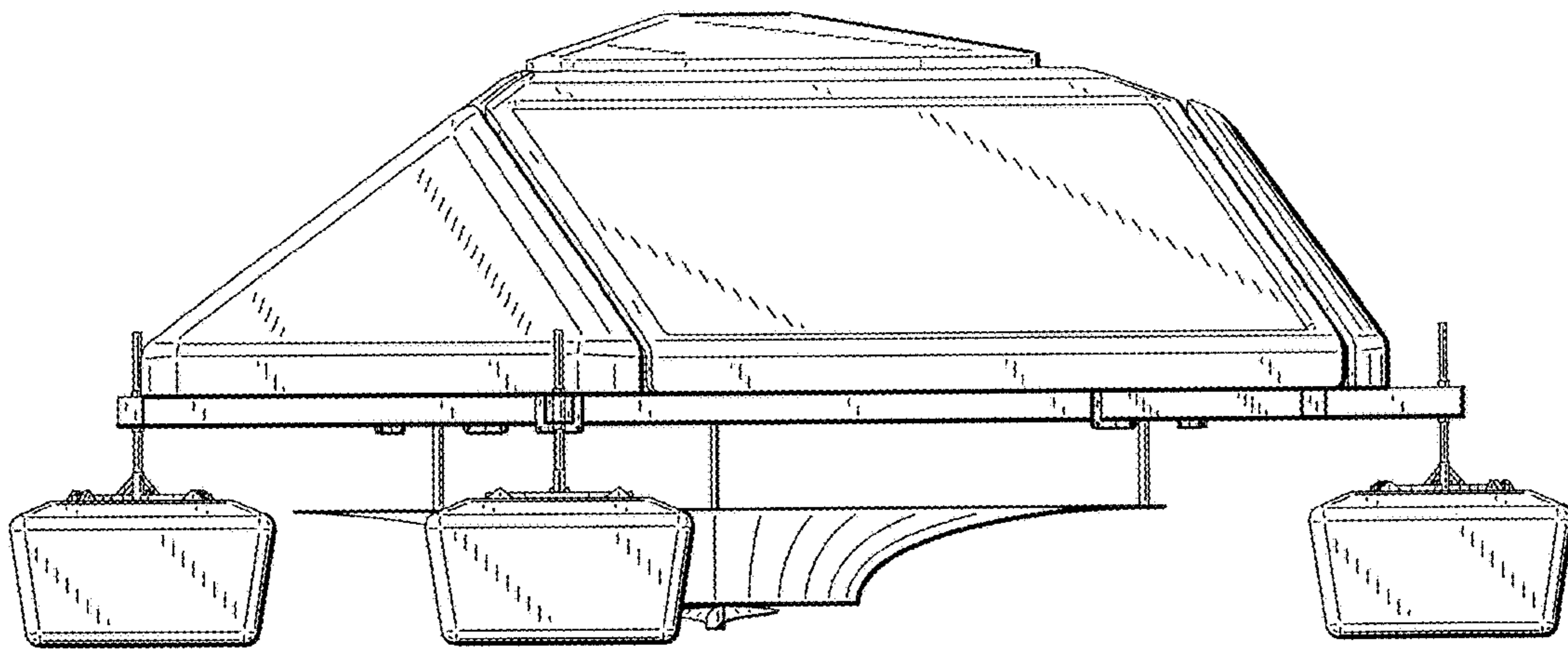


FIG. 4

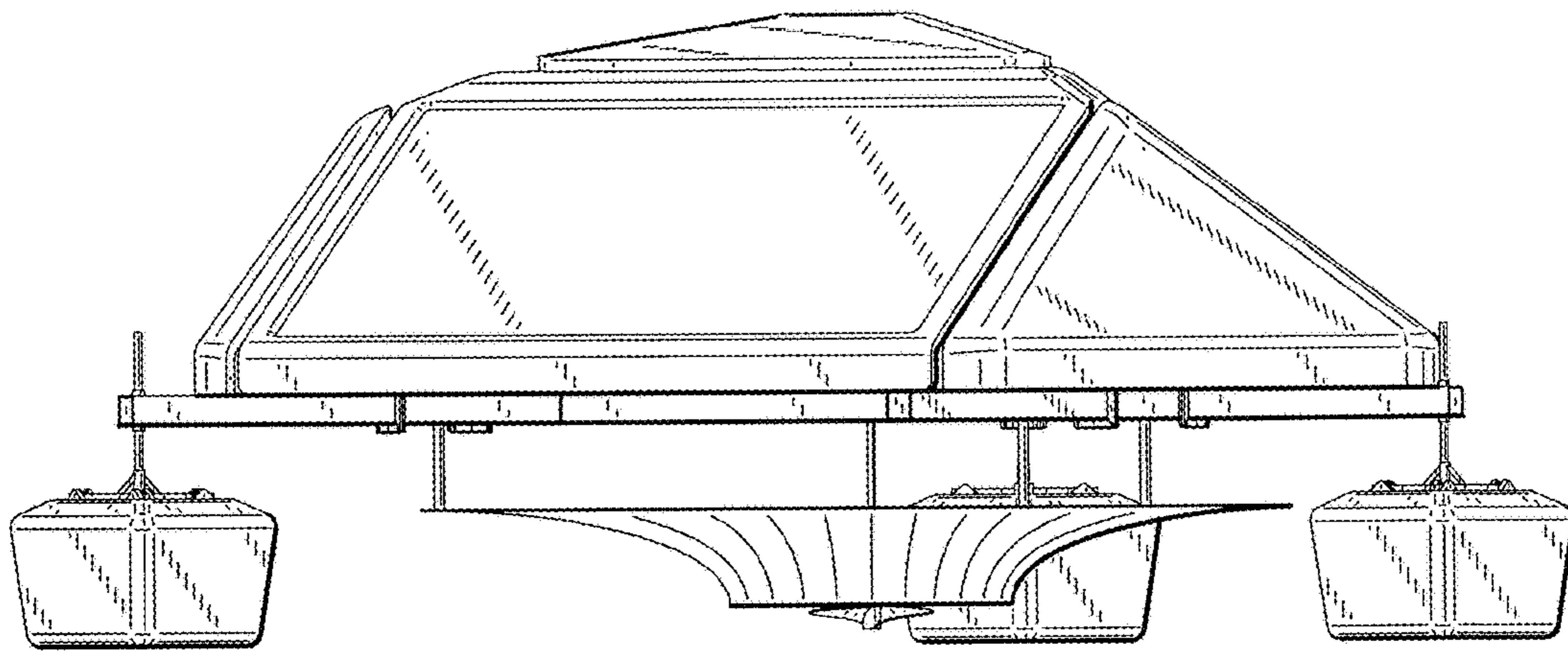


FIG. 5

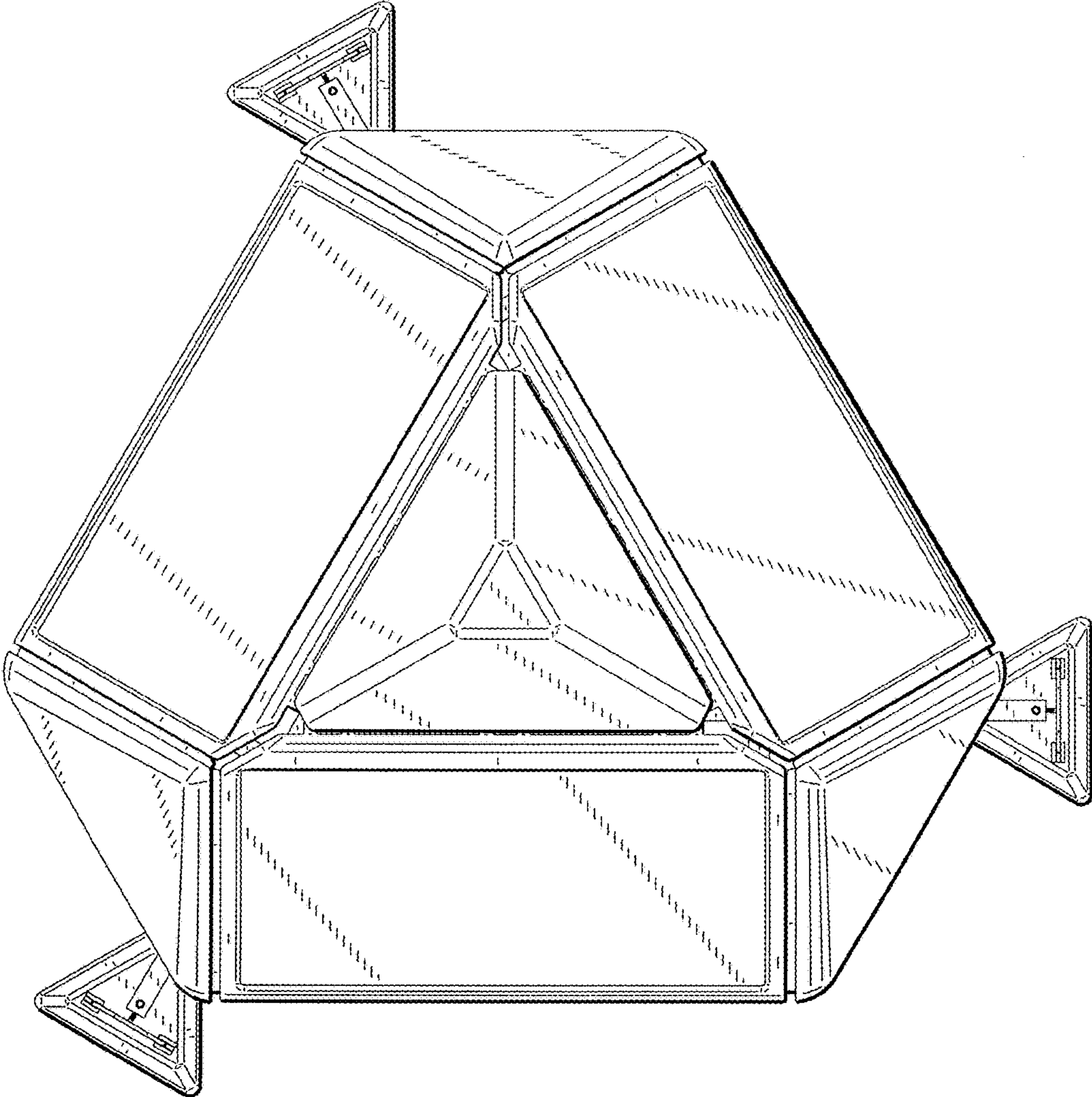


FIG. 6

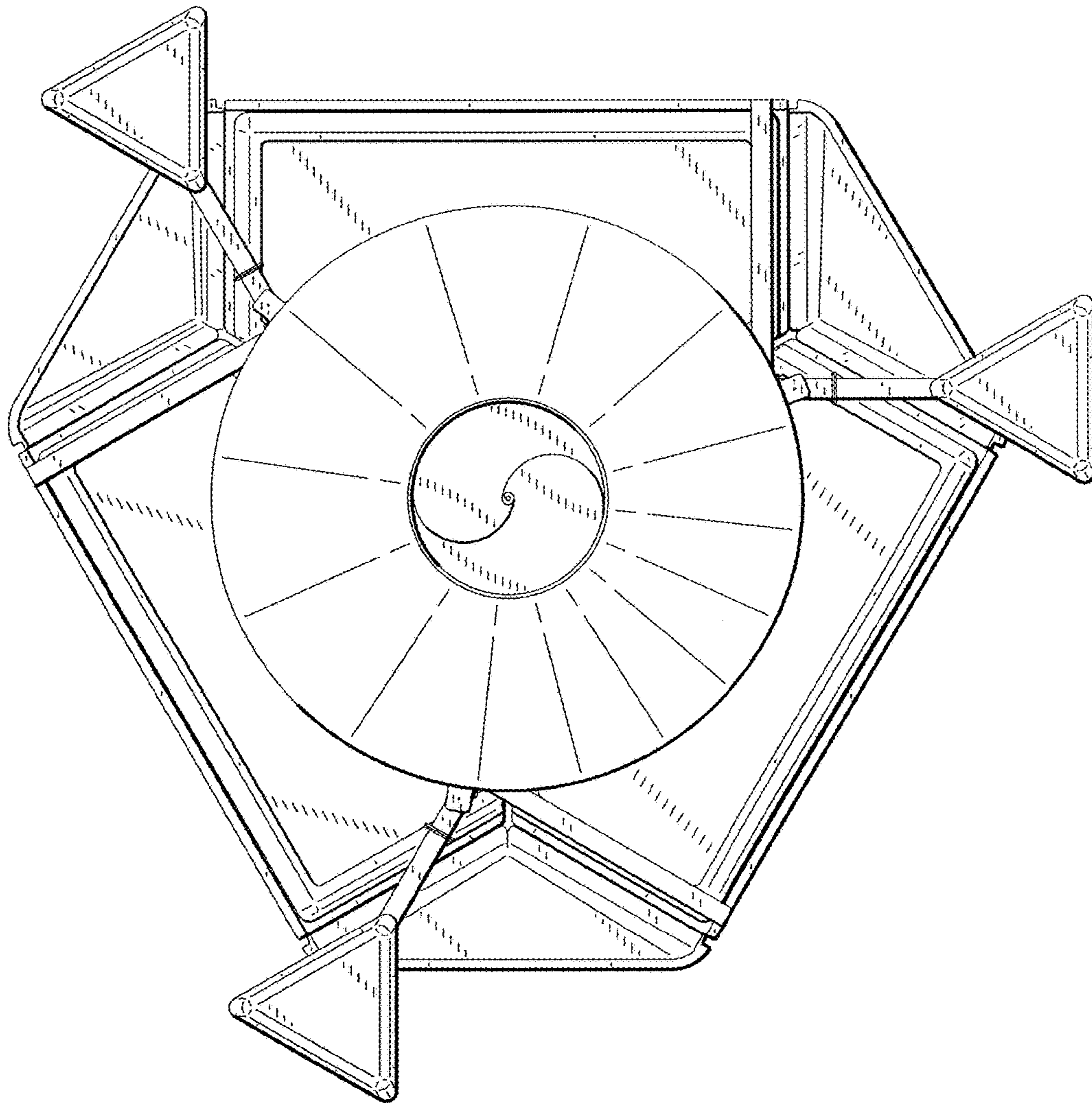


FIG. 7