



US00D781997S

(12) **United States Design Patent**
Nago et al.

(10) **Patent No.:** **US D781,997 S**
(45) **Date of Patent:** **** Mar. 21, 2017**

(54) **FISHING REEL PORTION**

(71) Applicant: **Shimano Inc.**, Sakai, Osaka (JP)

(72) Inventors: **Akira Nago**, Osaka (JP); **Masakazu Iwabuchi**, Osaka (JP)

(73) Assignee: **Shimano Inc.**, Osaka (JP)

(**) Term: **15 Years**

(21) Appl. No.: **29/556,226**

(22) Filed: **Feb. 29, 2016**

(30) **Foreign Application Priority Data**

Nov. 17, 2015 (JP) 2015-025721

(51) **LOC (10) Cl.** **22-05**

(52) **U.S. Cl.**
USPC **D22/140**

(58) **Field of Classification Search**
USPC D22/137-141; 242/118.3, 118.4, 118, 4,
242/118.7, 234-240, 303, 311, 317-323,
242/313; 206/315.11

CPC A01K 89/00; A01K 89/01; A01K 89/016;
A01K 89/033; A01K 91/02; A01K 99/00
See application file for complete search history.

(56) **References Cited**

U.S. PATENT DOCUMENTS

D515,656 S * 2/2006 Lepage D22/140
D558,299 S * 12/2007 Lepage D22/140
D581,008 S * 11/2008 Danielsson D22/140

(Continued)

FOREIGN PATENT DOCUMENTS

JP 1476580 S 8/2013

Primary Examiner — Catheri Oliver-Garcia

(74) *Attorney, Agent, or Firm* — Global IP Counselors

(57) **CLAIM**

The ornamental design for fishing reel portion, as shown and described.

DESCRIPTION

FIG. 1 is a perspective view of a fishing reel portion in accordance with our new design;

FIG. 2 is a first side elevational view of the fishing reel portion illustrated in FIG. 1;

FIG. 3 is a second side (opposite the first side) elevational view of the fishing reel portion illustrated in FIG. 1;

FIG. 4 is a top plan view of the fishing reel portion illustrated in FIG. 1;

FIG. 5 is a bottom plan view of the fishing reel portion illustrated in FIG. 1;

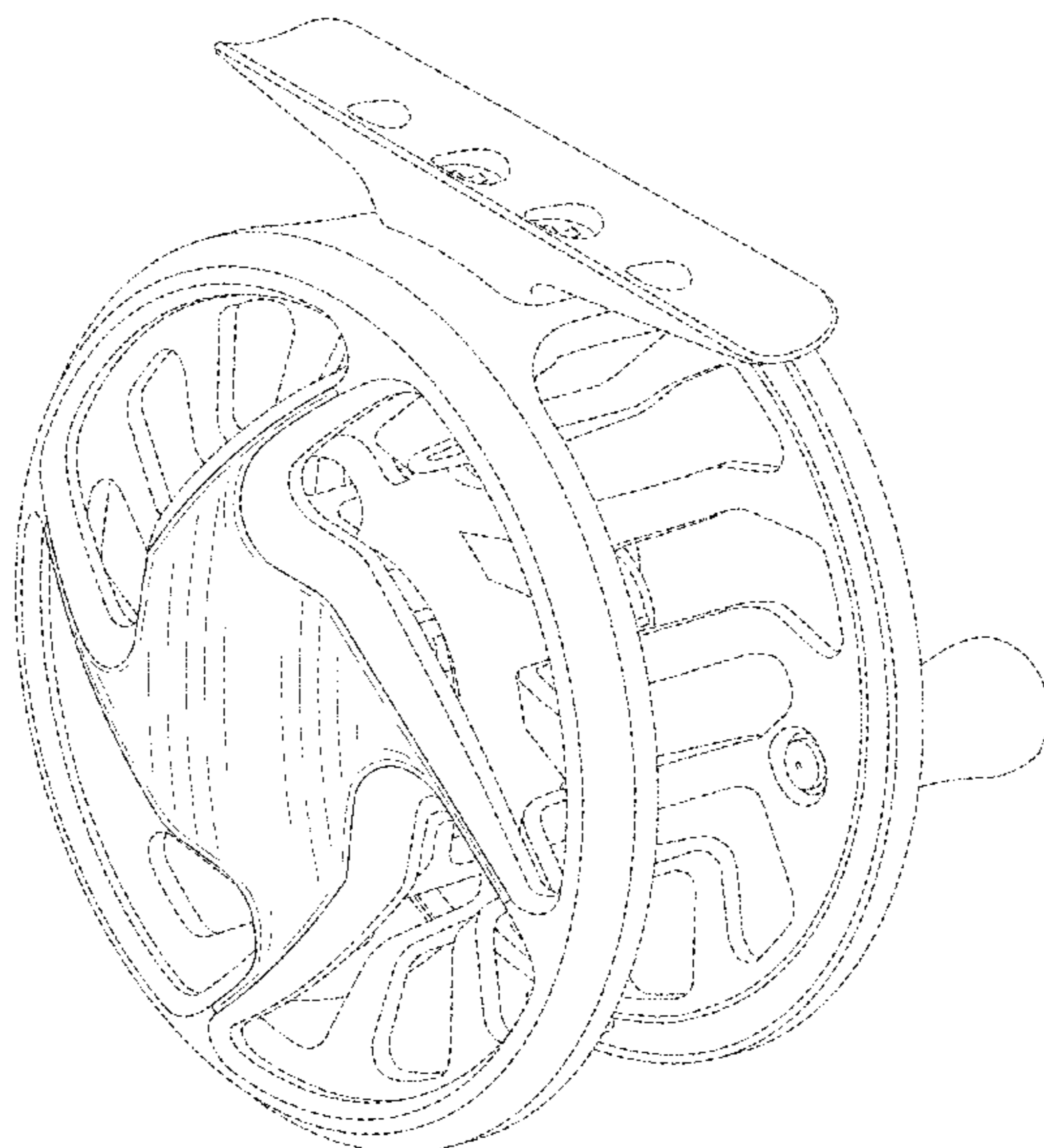
FIG. 6 is a first end elevational view of the fishing reel portion illustrated in FIG. 1;

FIG. 7 is a second end elevational view of the fishing reel portion illustrated in FIG. 1; and,

FIG. 8 is a first side elevational view, similar to FIG. 2, of an alternate fishing reel portion, which is identical to the fishing reel portion illustrated in FIGS. 1 to 7, except that selected boundaries of the alternate fishing reel portion are shown in broken lines.

In the alternate fishing reel portion illustrated in FIG. 8, the boundaries in broken lines do not form part of the claimed design. In other words, with respect to the alternate design of the fishing reel portion illustrated in FIG. 8, it should be understood that the claimed design extends to the boundary but does not include the boundaries shown in broken lines. In the drawings, the broken line illustration of the environmental structure (the remaining structure of the fishing reel) in the drawings is not part of the claimed design. The broken line portion of the fishing reel spool does not form part of the claimed design.

1 Claim, 6 Drawing Sheets



(56)

References Cited

U.S. PATENT DOCUMENTS

D638,092 S * 5/2011 Heller D22/140
D676,523 S 2/2013 Halseth et al.
D712,006 S * 8/2014 Koelewyn D22/140

* cited by examiner

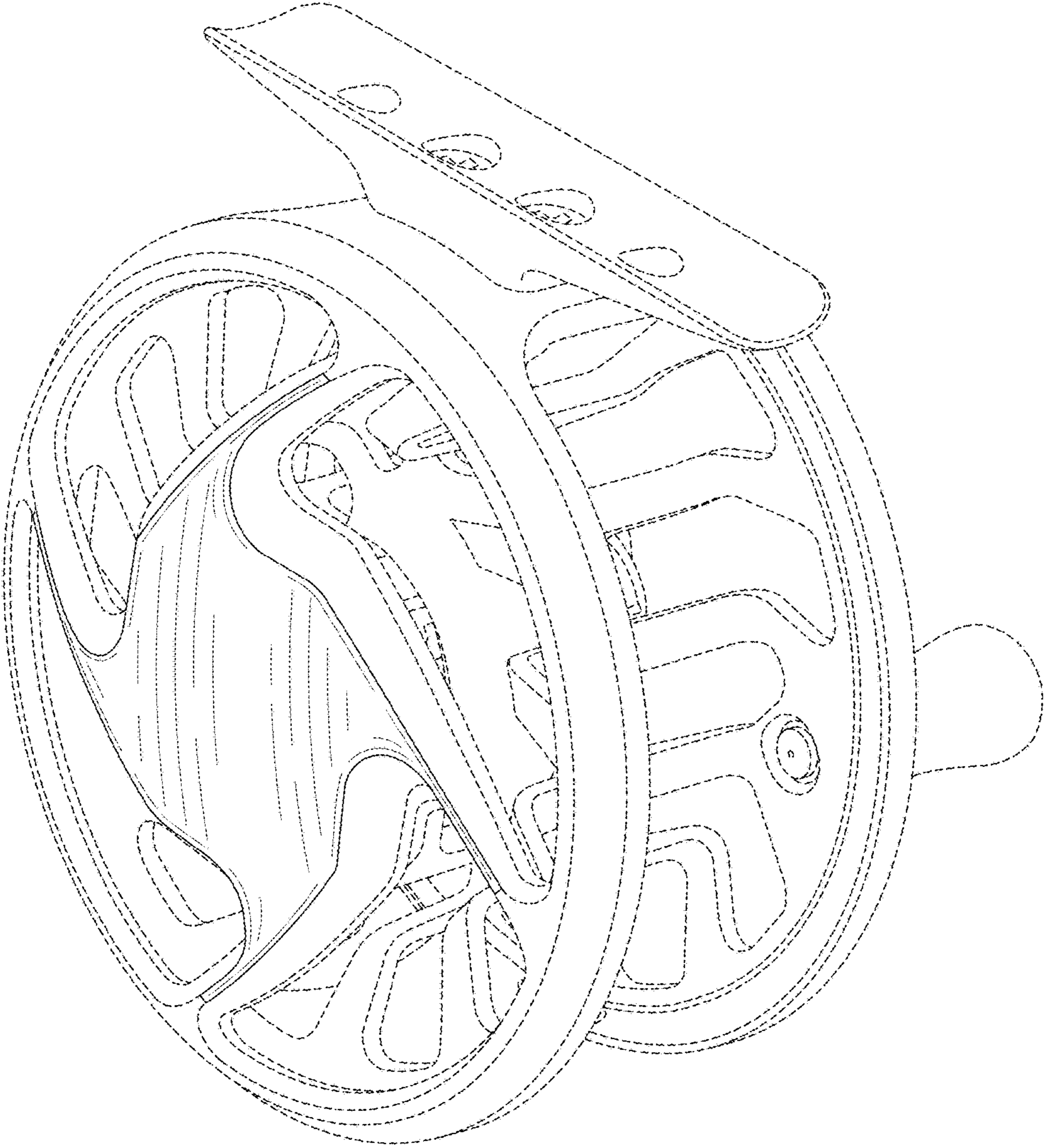


FIG. 1

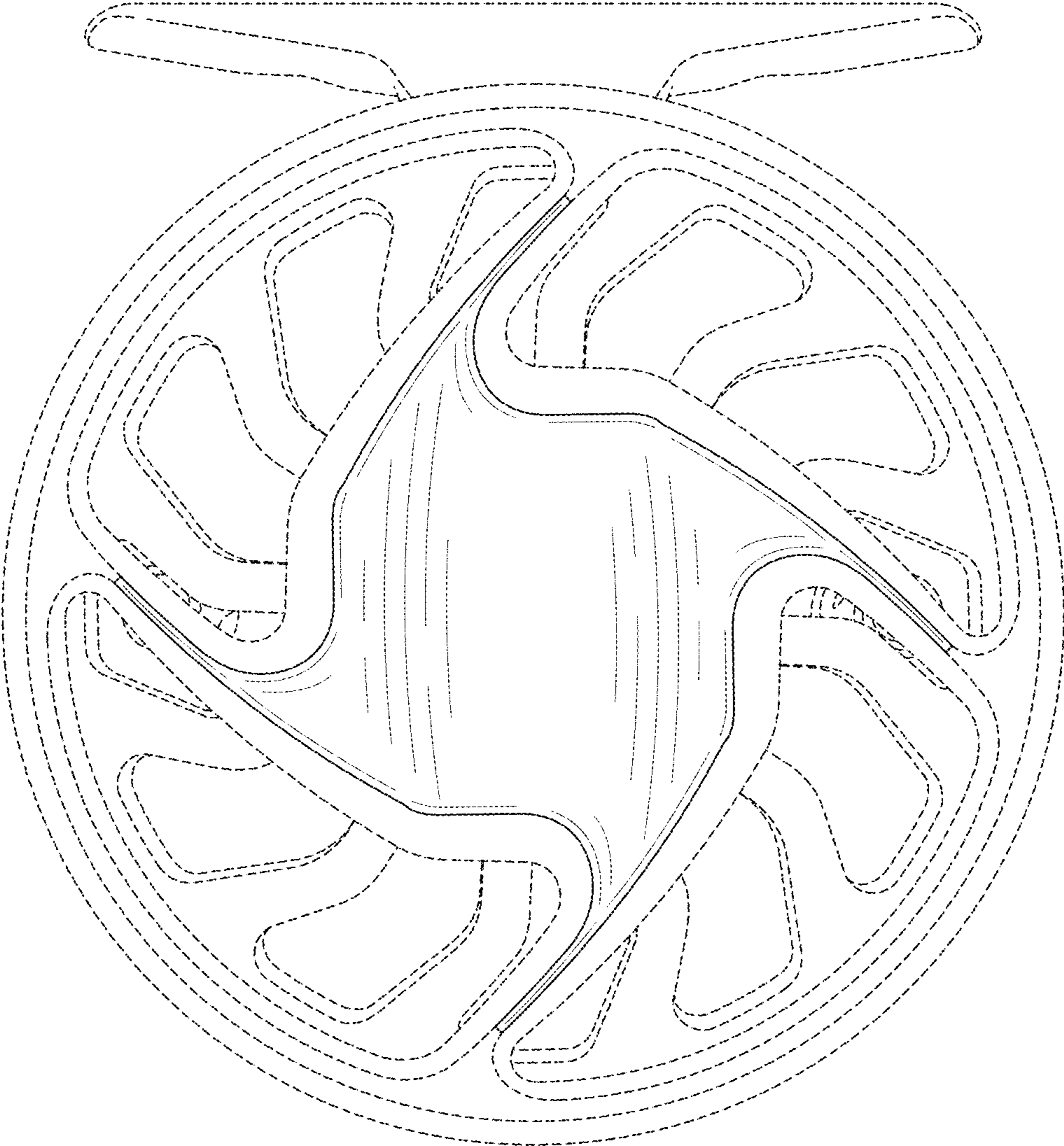


FIG. 2

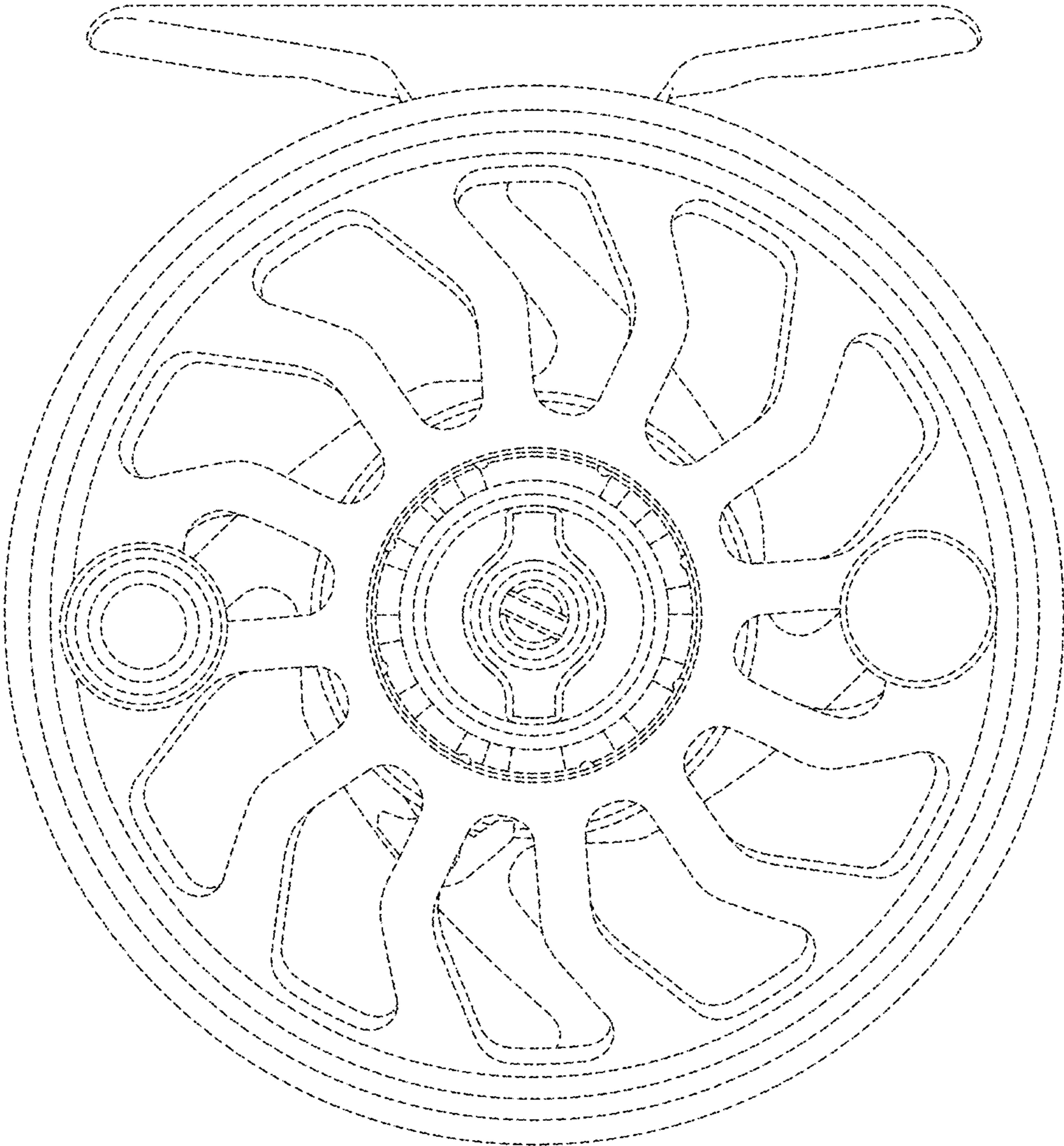


FIG. 3

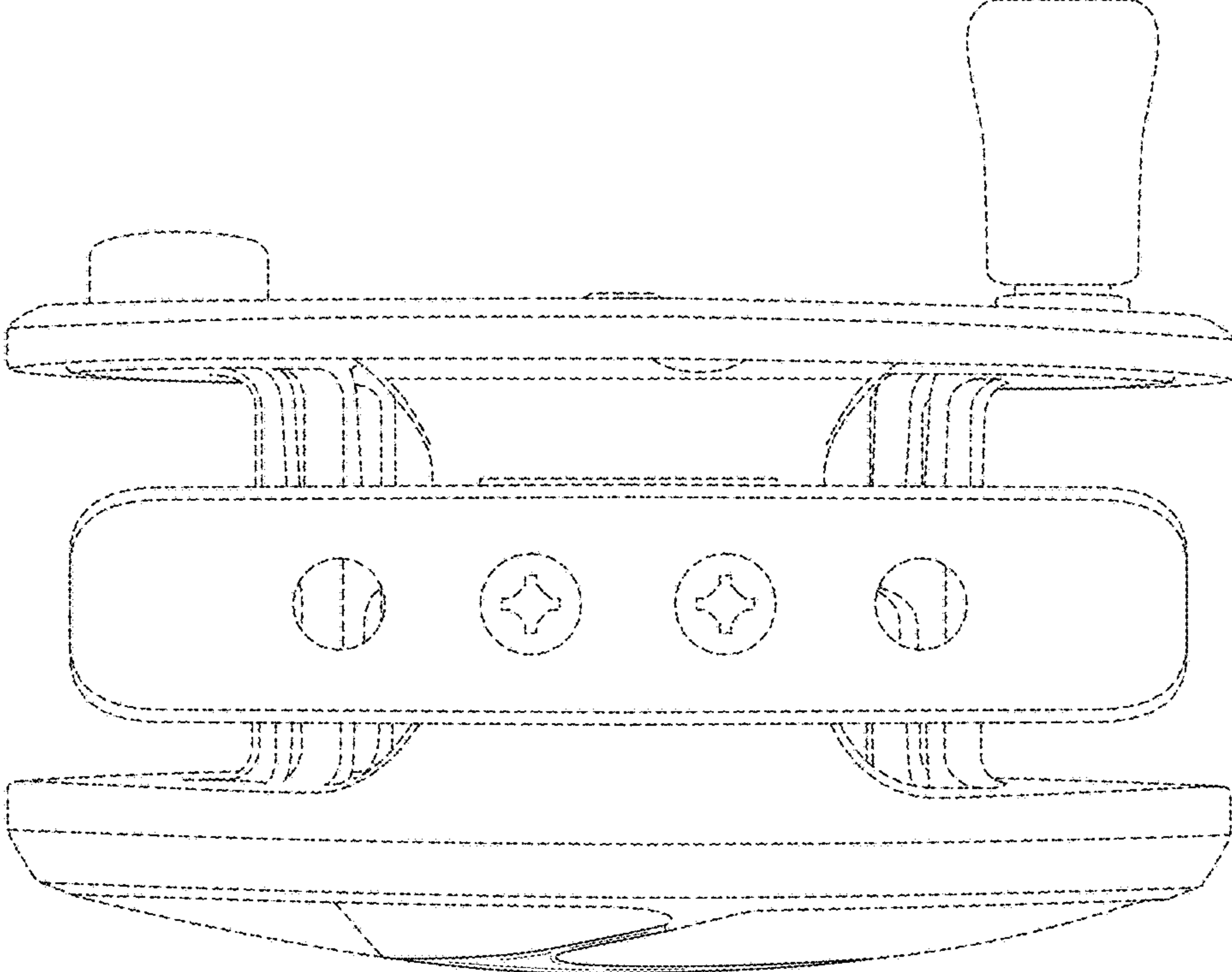


FIG. 4

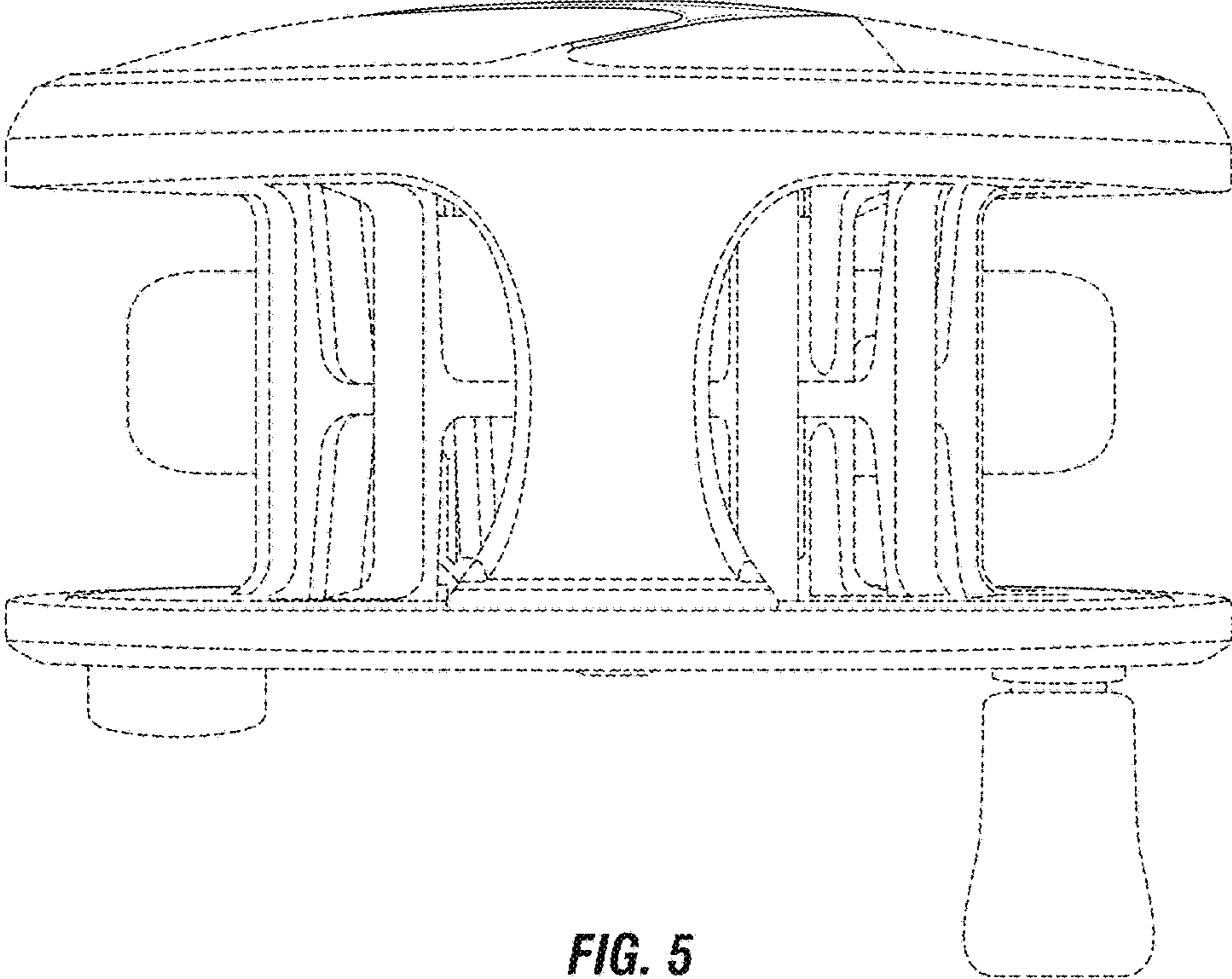


FIG. 5

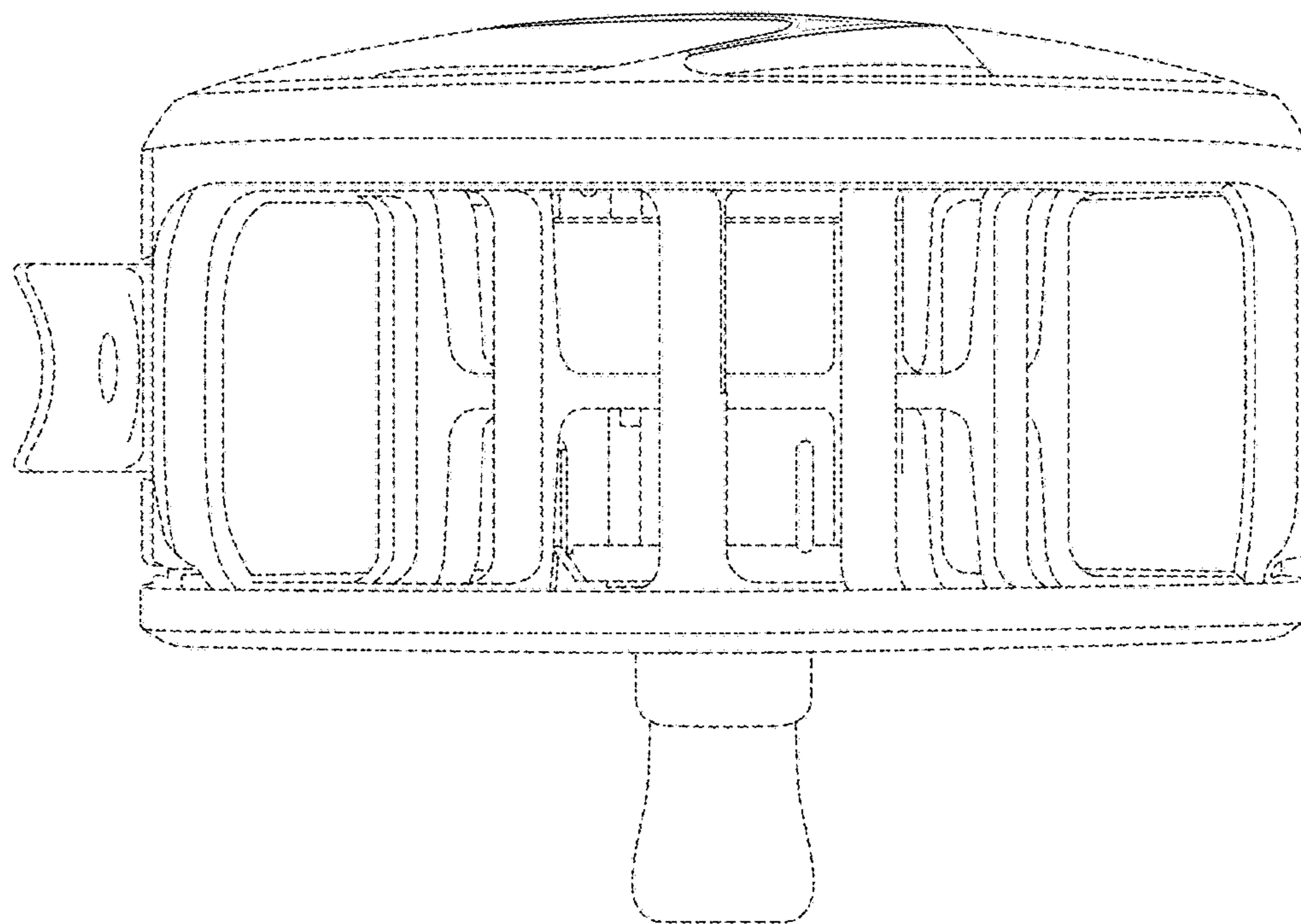


FIG. 6

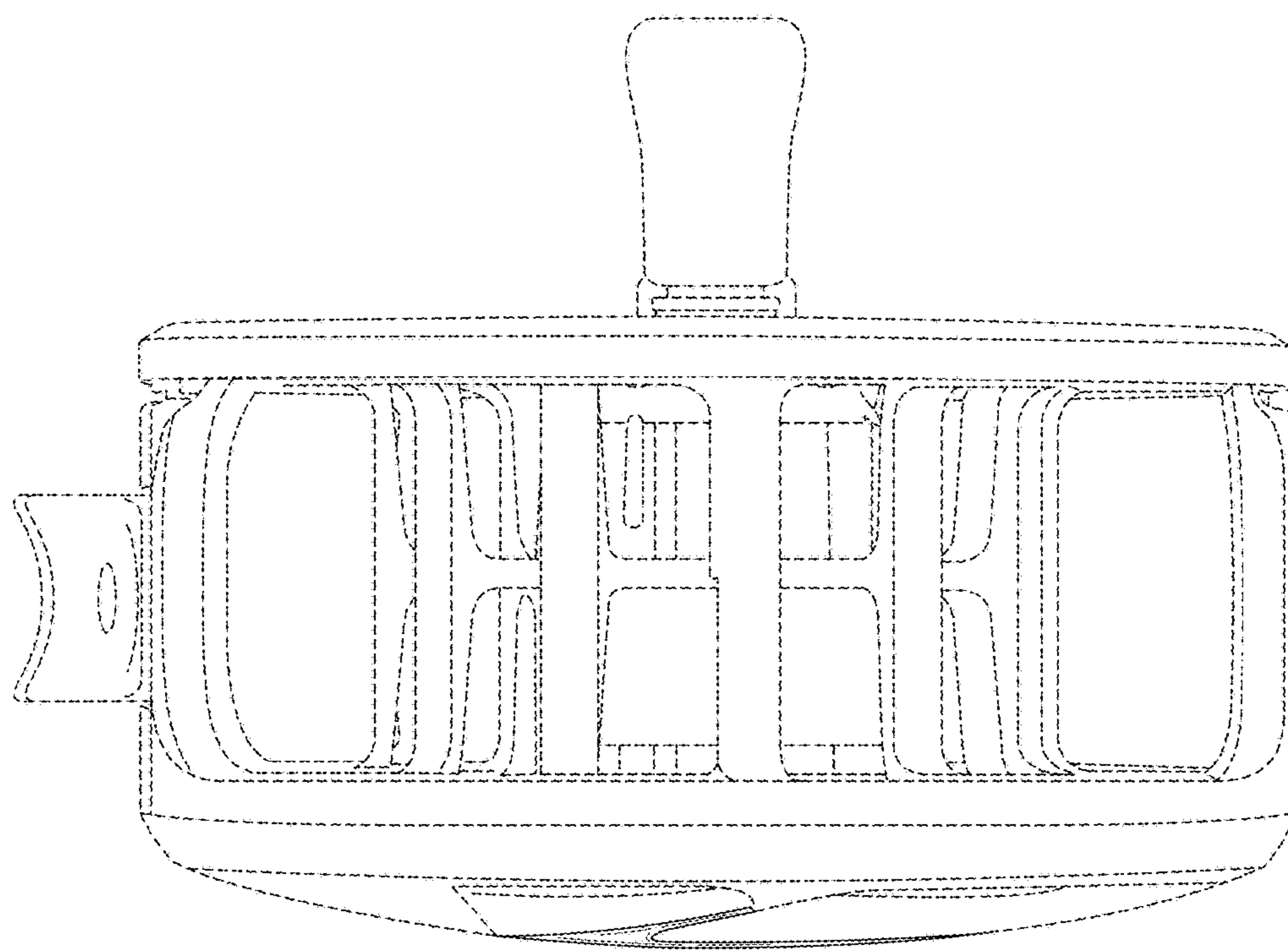


FIG. 7

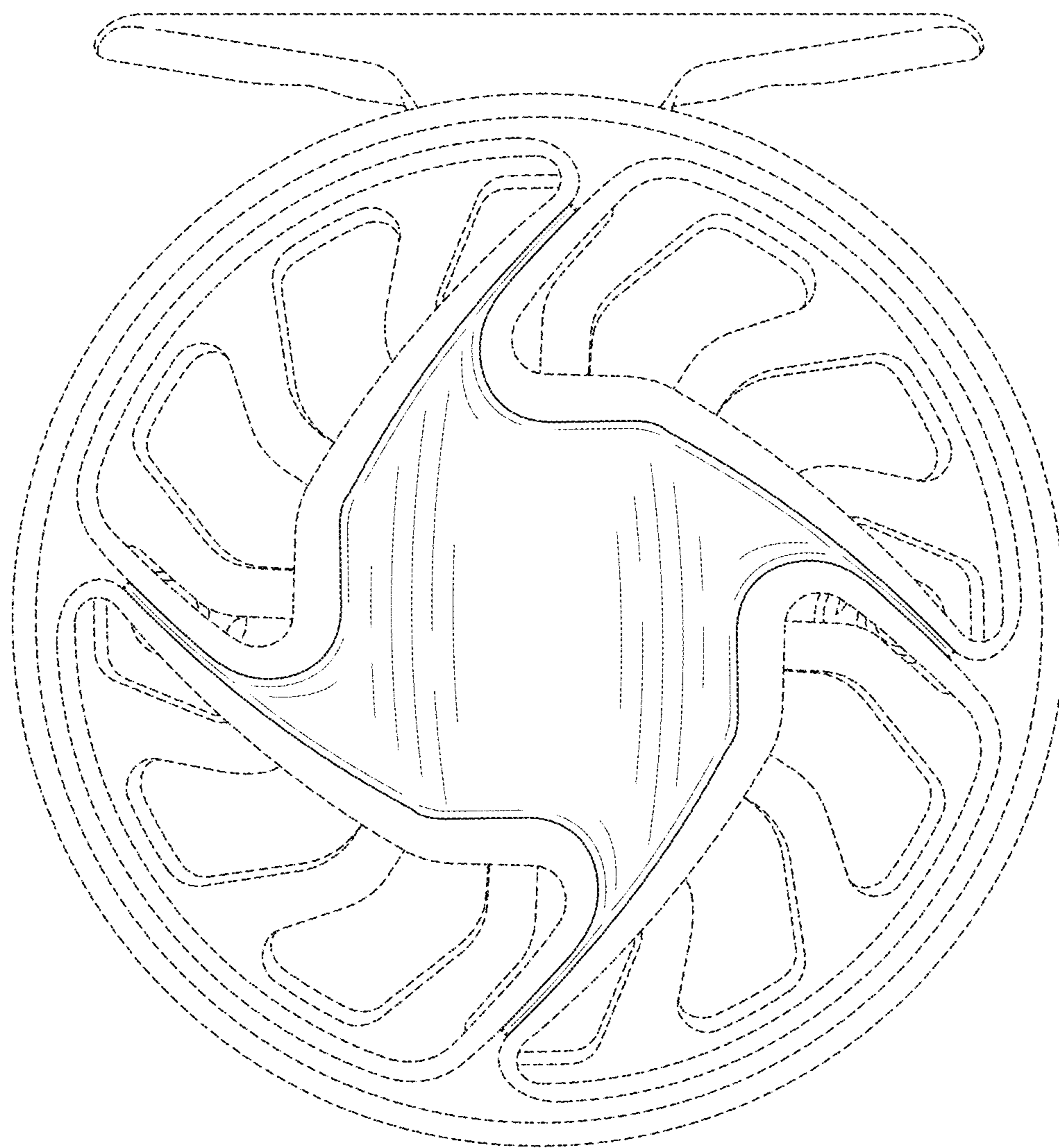


FIG. 8