



US00D781992S

(12) **United States Design Patent** (10) **Patent No.:** **US D781,992 S**
Coughlin et al. (45) **Date of Patent:** **** Mar. 21, 2017**

(54) **PERFORATED ARROW SHAFT**

(74) *Attorney, Agent, or Firm* — Veritay Group, IP; Susan B. Fentress

(71) Applicant: **BRICKTOP, LLC**, Flora, MS (US)

(72) Inventors: **Nicholas Cronin Coughlin**, Clinton, MS (US); **George Thomas Cronin**, Clinton, MS (US)

(57) **CLAIM**

The ornamental design for a perforated arrow shaft, as shown and described.

(73) Assignee: **BRICKTOP, LLC**, Flora, MS (US)

(**) Term: **15 Years**

DESCRIPTION

(21) Appl. No.: **29/554,918**

(22) Filed: **Feb. 17, 2016**

(51) **LOC (10) Cl.** **22-03**

(52) **U.S. Cl.**
USPC **D22/115**

(58) **Field of Classification Search**
USPC D22/100, 102, 107, 115, 199; 124/23.1,
124/25.6, 86, 88; D19/115; D21/387;
473/578

FIG. 1 is an isometric view of a first embodiment of a perforated arrow shaft showing our new design with additional arrow components shown in broken lines:

FIG. 2 is an isometric view of a first embodiment showing our new design.

FIG. 3 is a top view of a first embodiment showing our new design. The bottom view is a mirror image of the top view.

FIG. 4 is a side view of a first embodiment showing our new design.

FIG. 5 is an end view of a first, second, third and fourth embodiments showing our new design.

FIG. 6 is an isometric view of a second embodiment showing our new design.

FIG. 7 is a top view of a second embodiment showing our new design. The bottom view is a mirror image of the top view.

FIG. 8 is a side view of a second embodiment showing our new design.

FIG. 9 is an isometric view of a third embodiment showing our new design.

FIG. 10 is a top view of a third embodiment showing our new design. The bottom view is a mirror image of the top view.

FIG. 11 is a side view of a third embodiment showing our new design.

FIG. 12 is an isometric view of a fourth embodiment showing our new design.

FIG. 13 is a top view of a fourth embodiment showing our new design. The bottom view is a mirror image of the top view; and,

FIG. 14 is a side view of a fourth embodiment showing our new design.

(Continued)

(56) **References Cited**

U.S. PATENT DOCUMENTS

D158,794 S * 5/1950 Powell 42/79
2,554,012 A * 5/1951 Cohen F42B 6/04
473/581

(Continued)

OTHER PUBLICATIONS

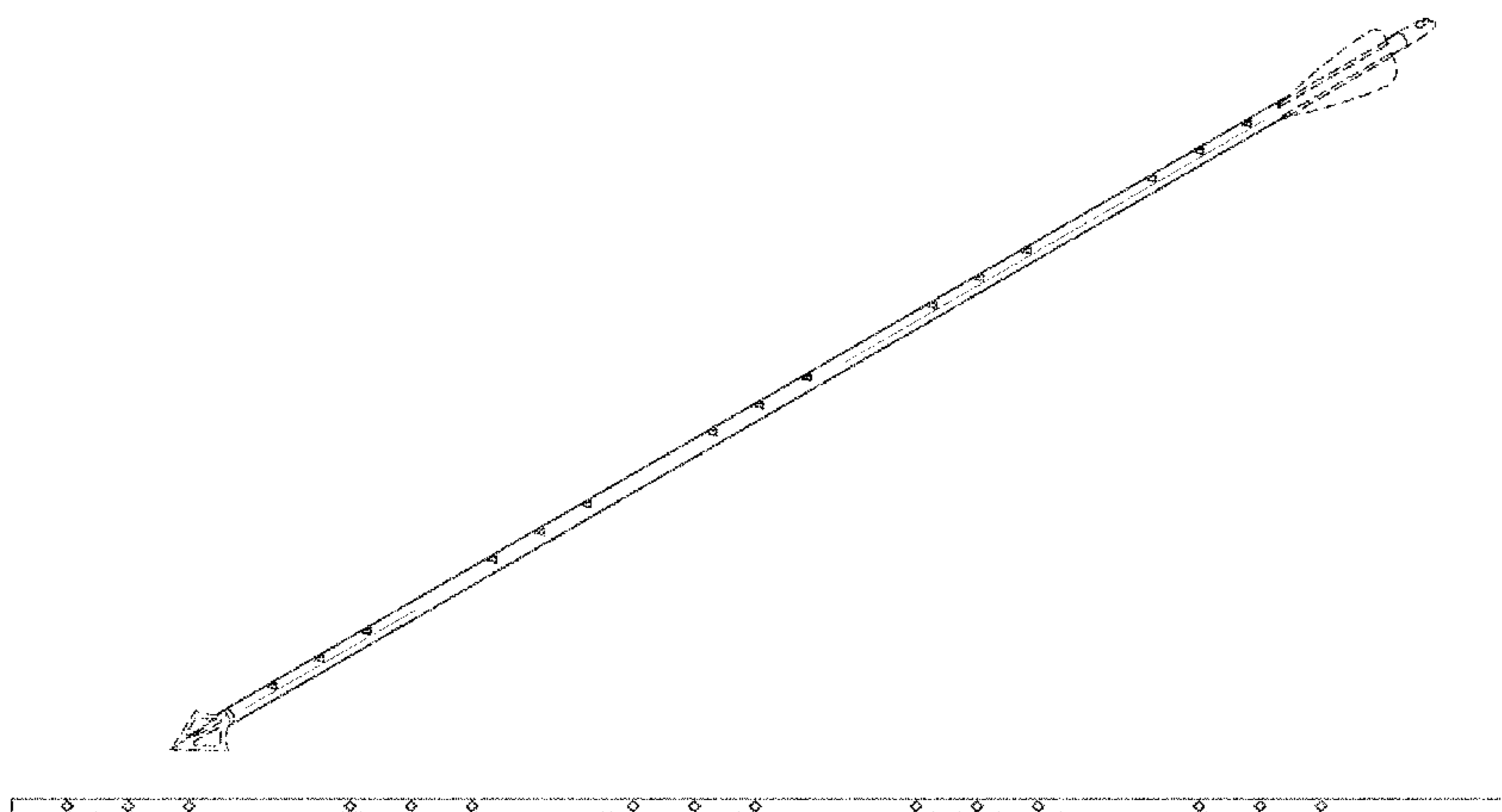
Model DS101 C major beginner level Shinobue Japanese bamboo flute, Nov. 7, 2012, [online], [site visited Jan. 5, 2017]. Retrieved from <url:https://www.amazon.co.uk/Model-beginner-Shinobue-Japanese-bamboo/dp/B00A37PF46>.*

(Continued)

Primary Examiner — Jeffrey D Asch

Assistant Examiner — Tracey J Bell

(Continued)



The broken lines shown in FIG. 1 are for environmental purposes only and show portions of a complete arrow that form no part of the claimed design.

1 Claim, 5 Drawing Sheets

(58) Field of Classification Search

CPC F42B 6/04; F42B 6/08; F42B 6/02; F42B 12/362

See application file for complete search history.

(56) References Cited

U.S. PATENT DOCUMENTS

2,851,304	A *	9/1958	Timms	A47K 10/10 16/436
3,064,977	A	10/1961	Zwickey	
3,150,875	A *	9/1964	Searles	F42B 6/04 102/334
3,617,060	A *	11/1971	Iezzi	F42B 12/362 473/581
4,380,340	A	4/1983	Simo	
4,726,584	A *	2/1988	Bishop	F42B 6/02 102/367
4,729,320	A *	3/1988	Whitten, III	F42B 12/362 102/371

5,035,435	A *	7/1991	Burgeson	F42B 6/04 239/34
D425,738	S *	5/2000	Lubowicz	D10/108
6,186,913	B1 *	2/2001	Thomas	F42B 12/362 473/581
6,705,808	B2 *	3/2004	Kane	F42B 6/04 408/115 B
D628,531	S *	12/2010	Benedetti	D12/415
9,028,348	B2 *	5/2015	Lazenby	F42B 12/362 473/581
D773,559	S *	12/2016	James	D19/123
2010/0062882	A1 *	3/2010	Matsubara	F42B 6/003 473/586
2012/0157247	A1 *	6/2012	Asherman	F42B 10/38 473/578
2013/0072331	A1 *	3/2013	Goodwin	F42B 6/08 473/570

OTHER PUBLICATIONS

Aluminium Field Arrow—30_Long—set of 5, Jul. 31, 2008, [online], [site visited Jan. 5, 2017]. Retrieved from <url:https://www.amazon.co.uk/d/Sports-Outdoors/Aluminium-Field-Arrow-30-Long-set-5/B001DJCPAK/ref=sr_1_24?s=sports&ie=UTF8&qid=1483638005&sr=1-24&keywords=arrows>.*

* cited by examiner

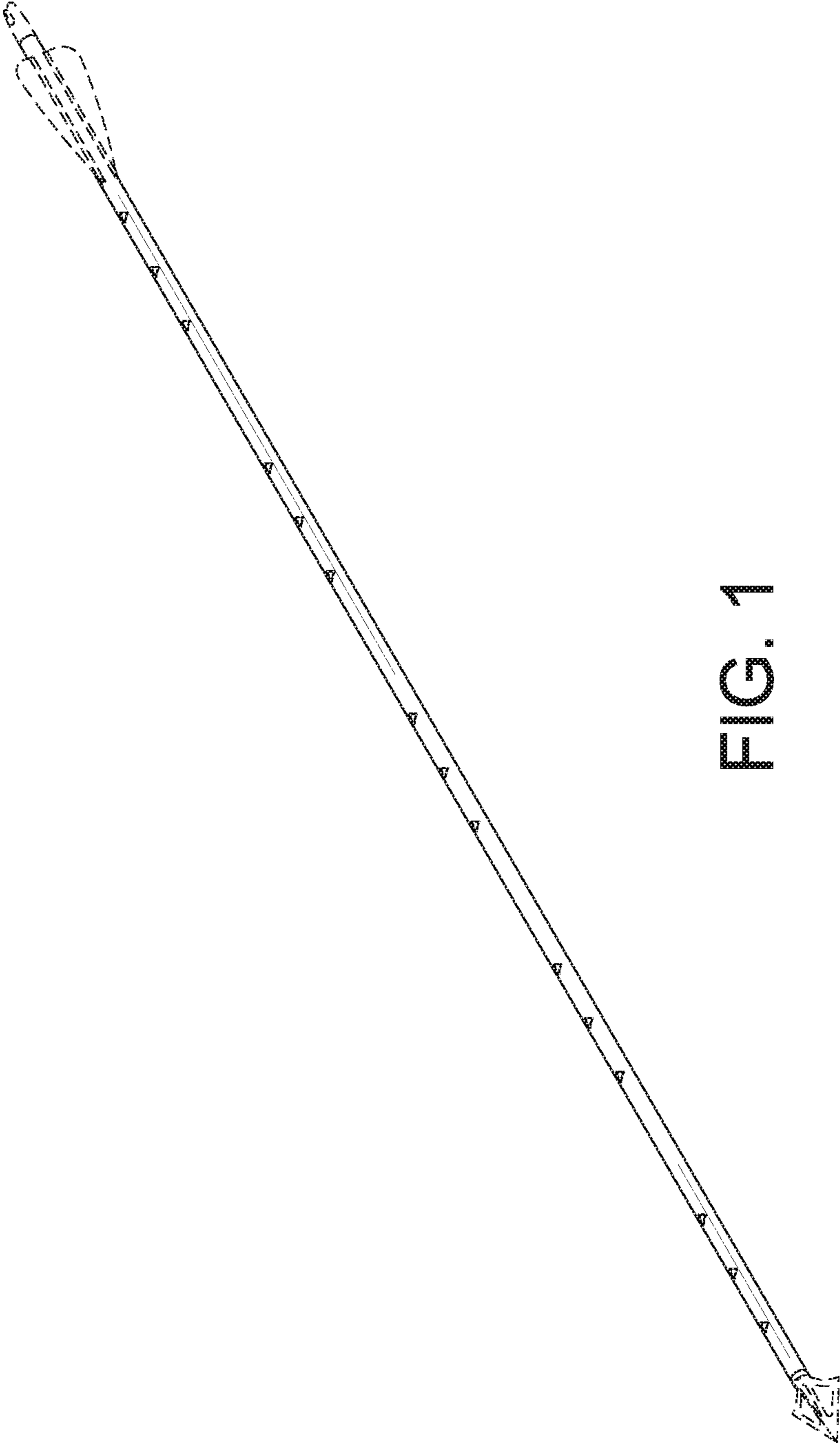


FIG. 1

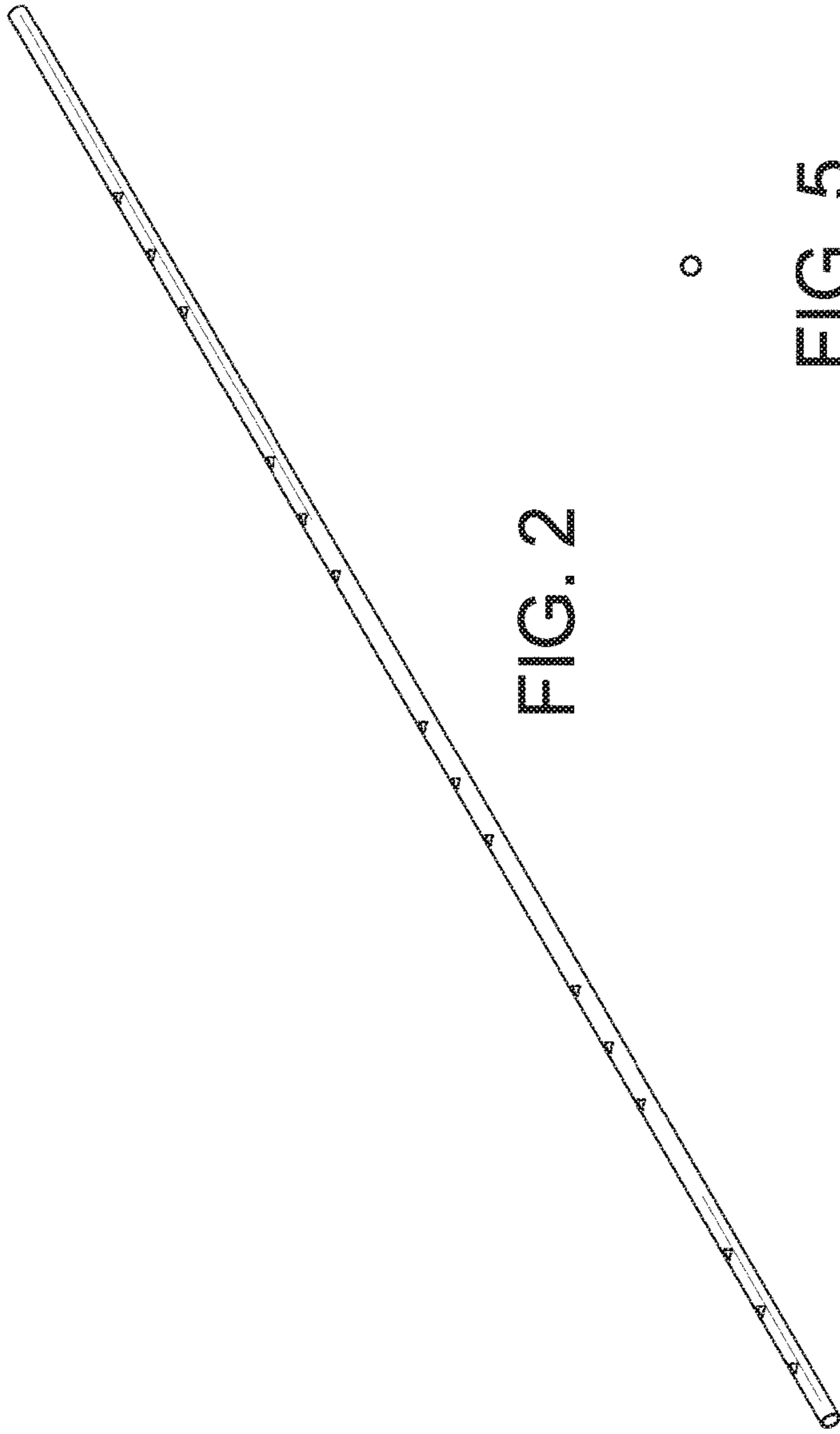


FIG. 2



FIG. 5



FIG. 3



FIG. 4

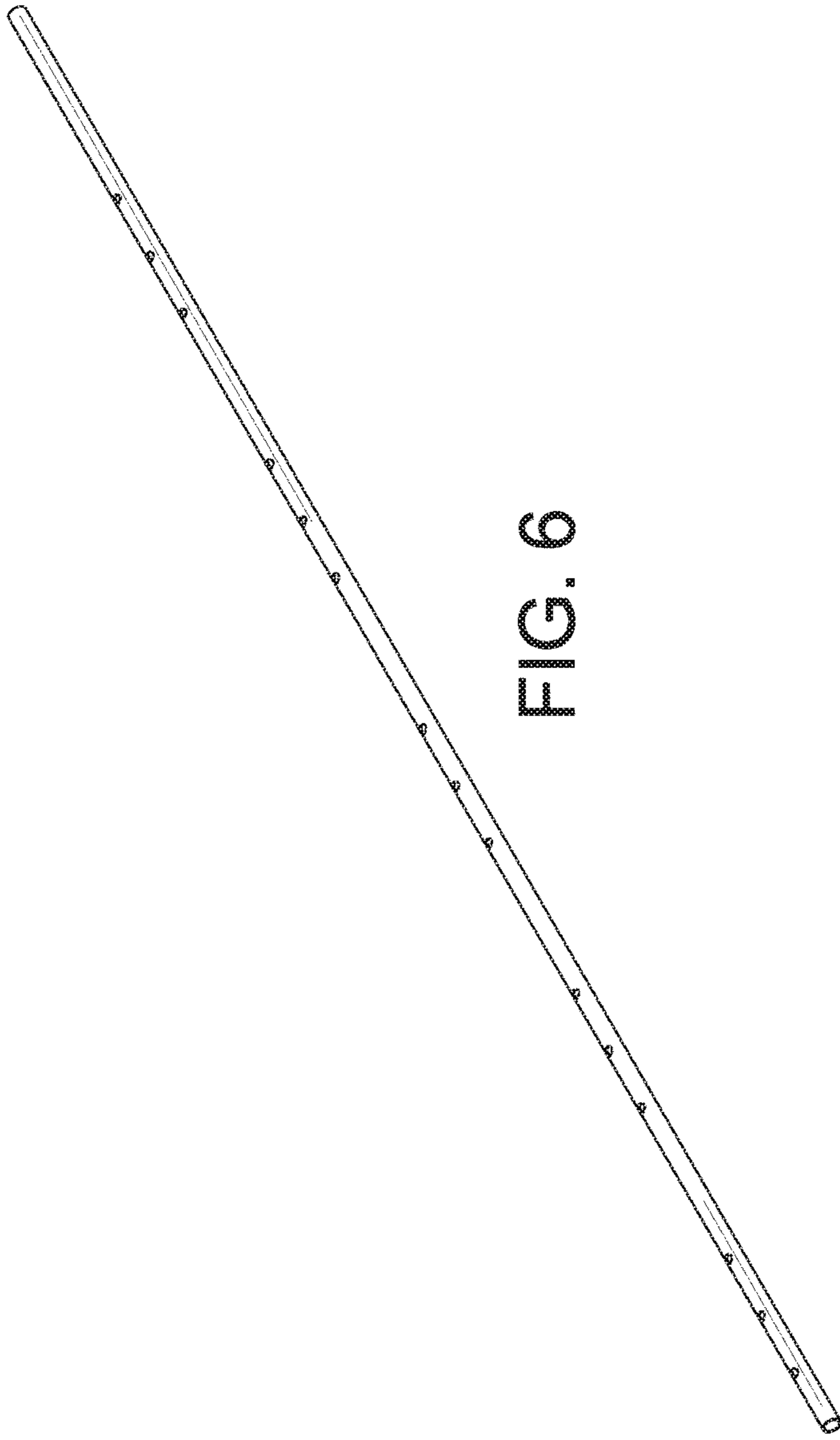


FIG. 6

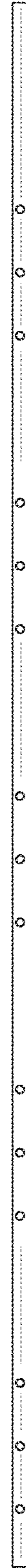


FIG. 7

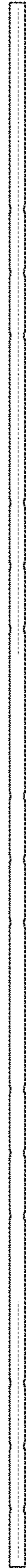


FIG. 8

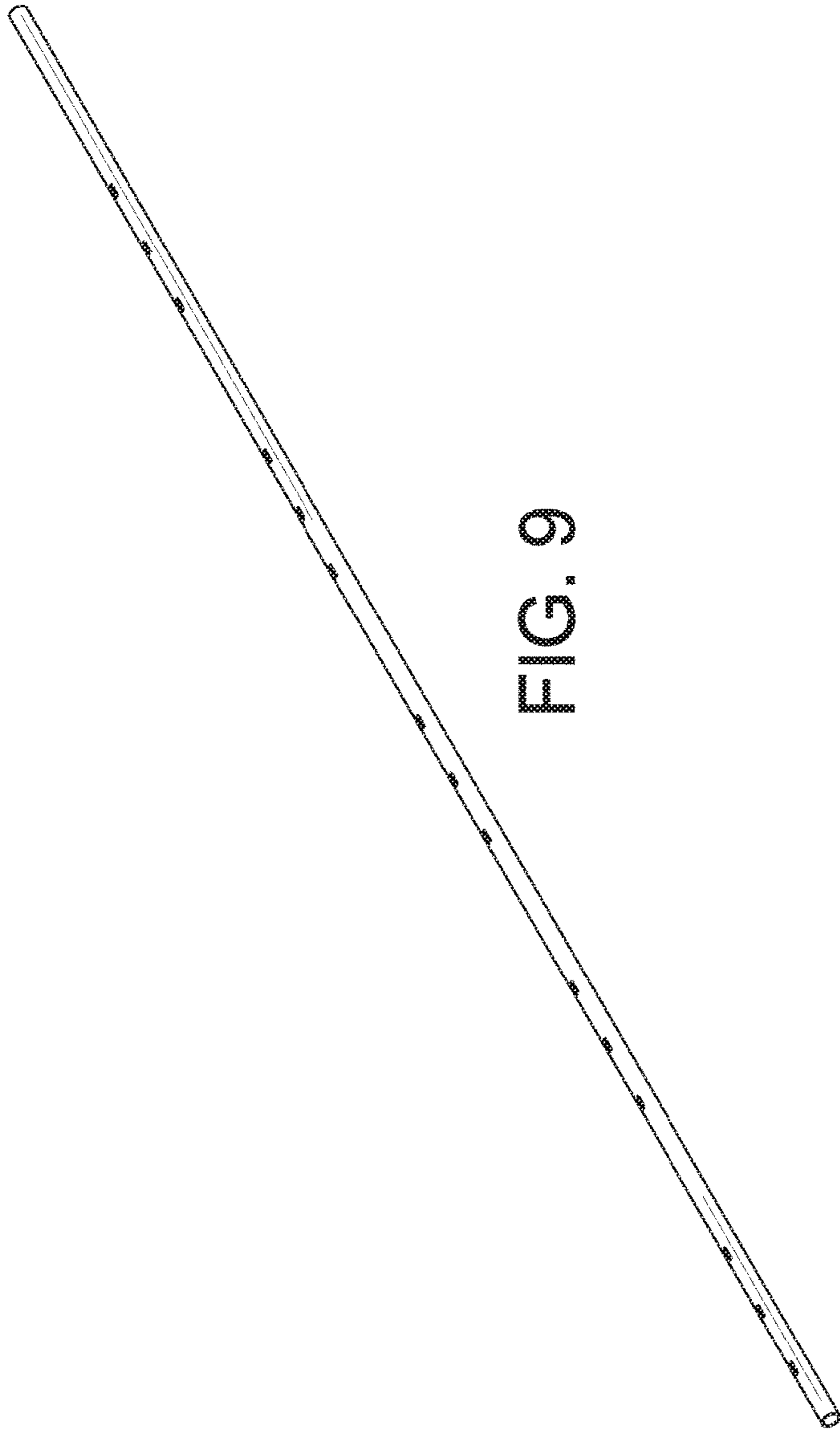


FIG. 9

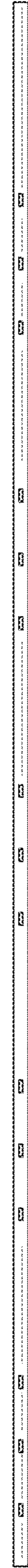


FIG. 10



FIG. 11

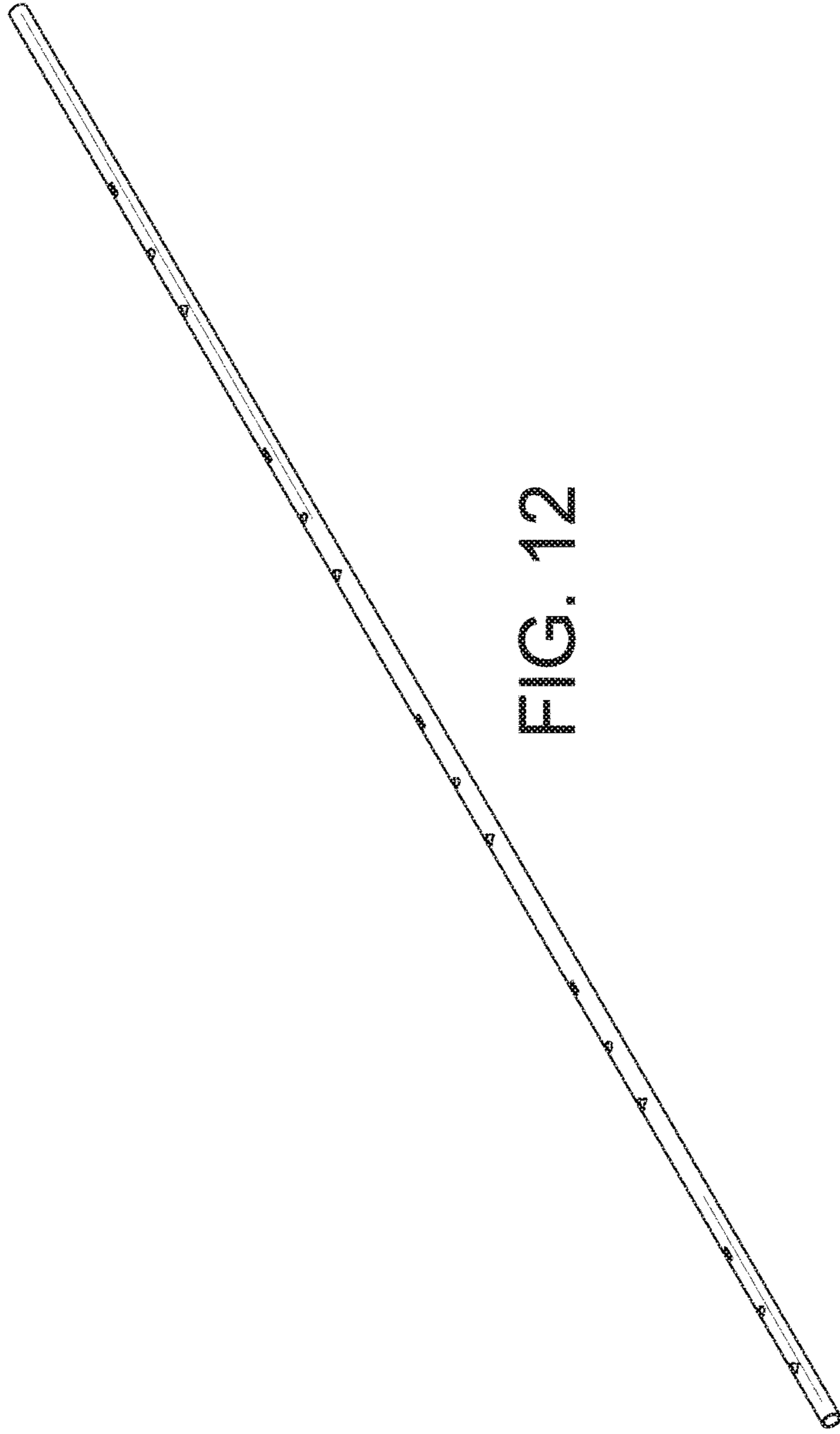


FIG. 12

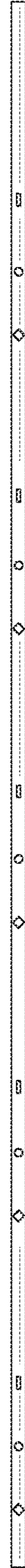


FIG. 13



FIG. 14