



US00D781991S

(12) **United States Design Patent** (10) **Patent No.:** **US D781,991 S**
Johnson et al. (45) **Date of Patent:** **** Mar. 21, 2017**

- (54) **SPINNING TARGET ELEMENT**
- (71) Applicant: **Birchwood Casey, LLC**, Eden Prairie, MN (US)
- (72) Inventors: **Scott Benjamin Johnson**, Minneapolis, MN (US); **Jess Reggie Benson**, St. Paul, MN (US)
- (73) Assignee: **Birchwood Casey, LLC**, Eden Prairie, MN (US)
- (**) Term: **15 Years**
- (21) Appl. No.: **29/541,200**
- (22) Filed: **Oct. 1, 2015**
- (51) **LOC (10) Cl.** **22-04**
- (52) **U.S. Cl.**
USPC **D22/113**
- (58) **Field of Classification Search**
USPC D22/113; D21/302, 790
CPC F41J 1/10; F41J 5/14; F41J 1/00; F41J 3/0004
See application file for complete search history.

- 7,114,725 B2 * 10/2006 Camp F41J 7/04
273/390
- D689,164 S * 9/2013 Burress D22/113
- 9,446,301 B2 * 9/2016 Leimberer A63F 9/0204
- 2011/0163503 A1 7/2011 Townsend et al.
- 2013/0207347 A1 8/2013 Sovine et al.
- 2015/0330748 A1 * 11/2015 Anzalone F41J 1/10
273/390

* cited by examiner

Primary Examiner — Michael A Pratt
(74) *Attorney, Agent, or Firm* — Pauly, DeVries Smith & Deffner, L.L.C.

(57) **CLAIM**

The ornamental design for a spinning target element, as shown.

DESCRIPTION

FIG. 1 is a perspective view of the top side of a spinning target element.

FIG. 2 is a front elevation view of the spinning target element, the back elevation view being the same as the front elevation view.

FIG. 3 is a right side elevation view of the spinning target element, the left side elevation view being the same as the right side elevation view.

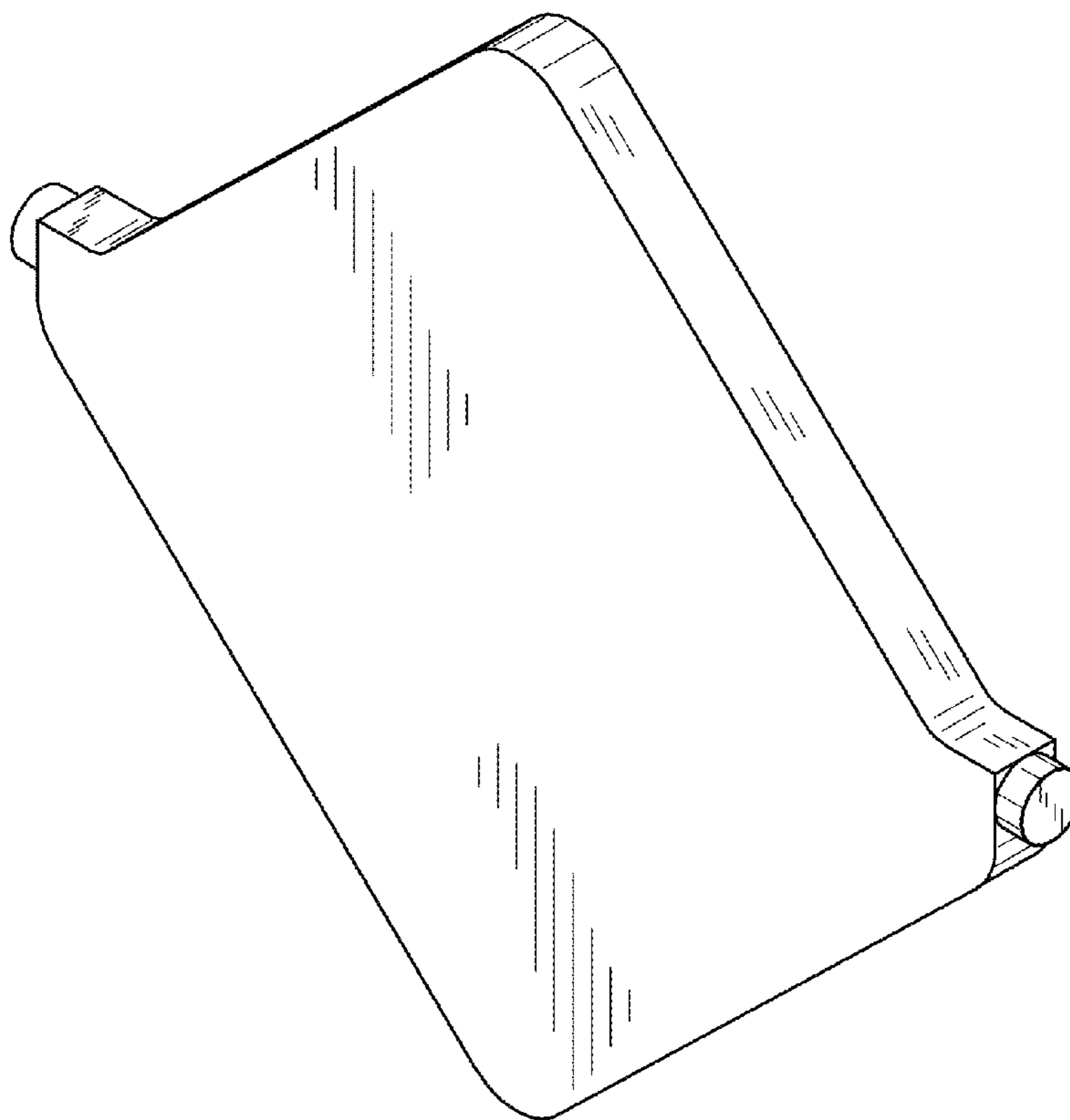
FIG. 4 is a top plan view of the spinning target element; and, FIG. 5 is a bottom plan view of the spinning target element.

1 Claim, 3 Drawing Sheets

(56) **References Cited**

U.S. PATENT DOCUMENTS

- D387,412 S * 12/1997 Borrows D22/100
- 6,478,301 B1 11/2002 Witmeyer et al.



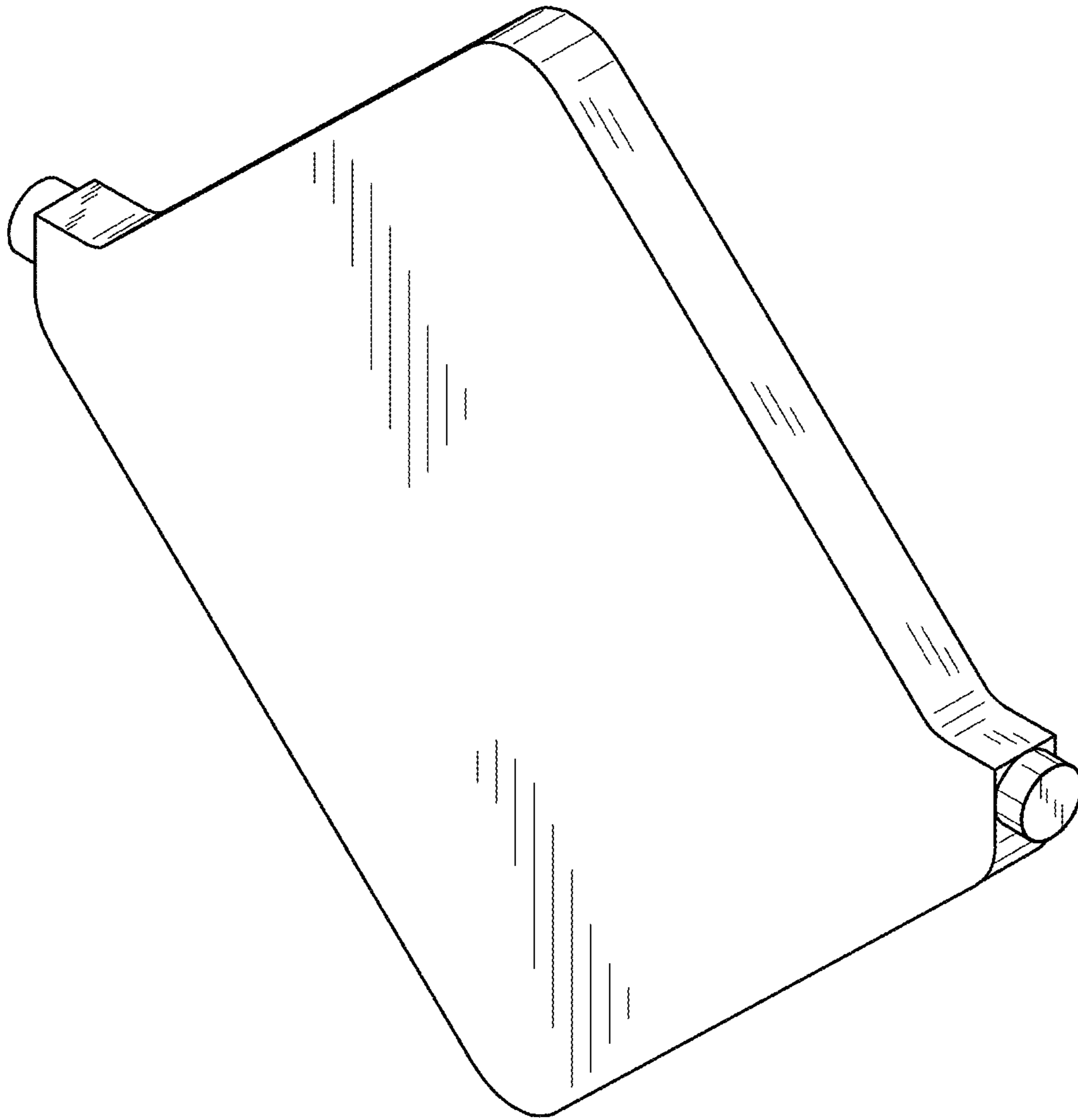


FIG. 1

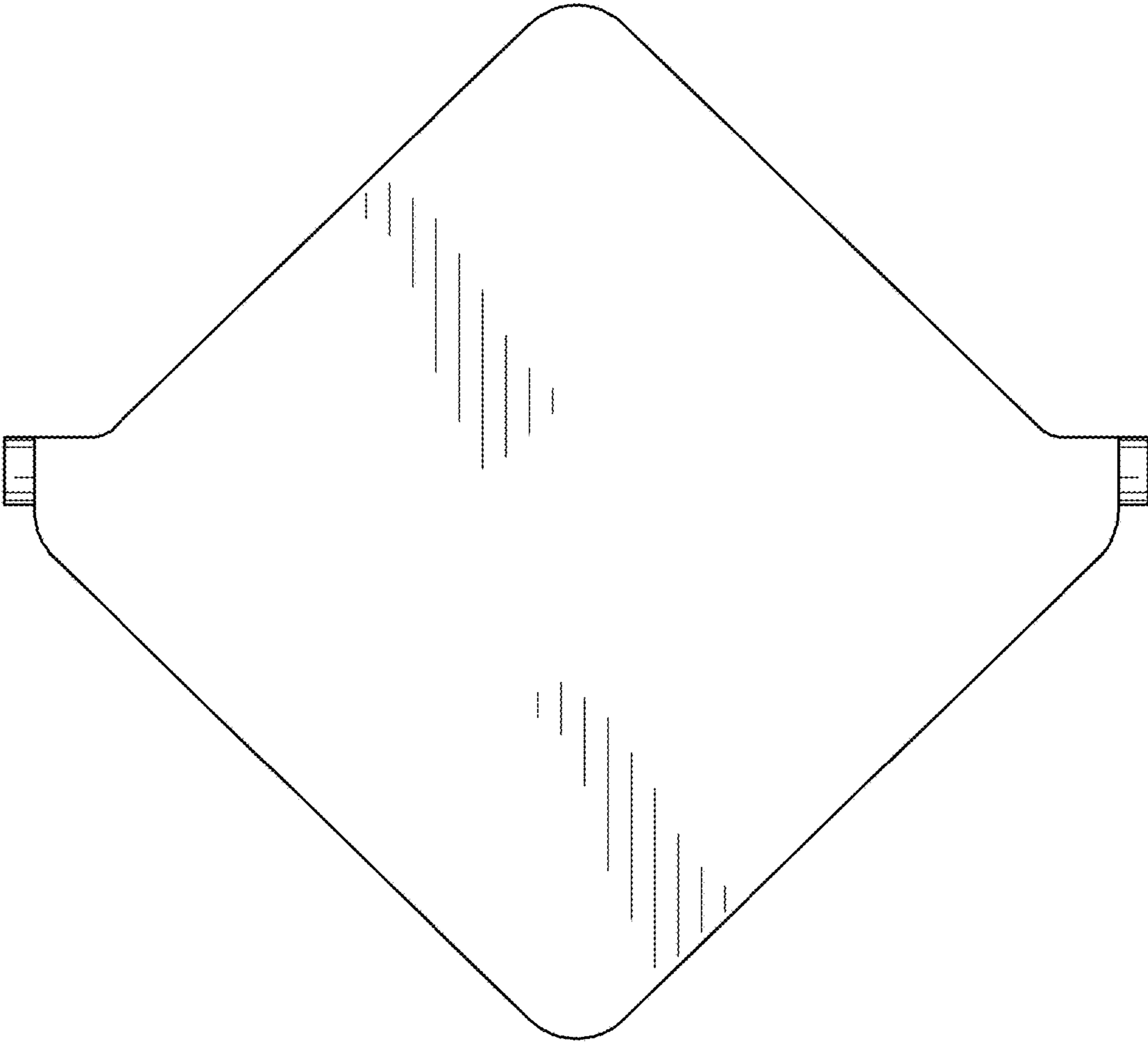


FIG. 2

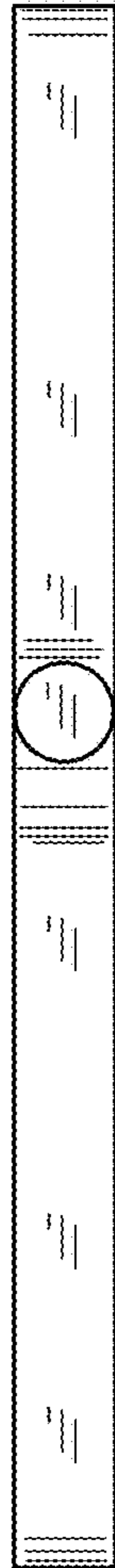


FIG. 3



FIG. 4

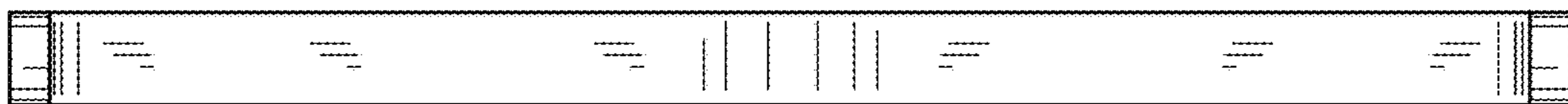


FIG. 5