



US00D781987S

(12) **United States Design Patent**  
**Geissele**

(10) **Patent No.:** **US D781,987 S**  
(45) **Date of Patent:** **\*\* Mar. 21, 2017**

(54) **COMPONENT OF A TRIGGER MECHANISM FOR A FIREARM**

FOREIGN PATENT DOCUMENTS

(71) Applicant: **WHG Properties, LLC**, North Wales, PA (US)

EP 2739863 B1 \* 9/2016 ..... F16B 27/00

(72) Inventor: **William H. Geissele**, Lower Gwynedd, PA (US)

OTHER PUBLICATIONS

Infinity Firearms; Infinity Products: Trigger Group (Cot 29, 2014). Tavor Sar, Semi-automatic rifle operator manual (Jul. 18, 2013).

(73) Assignee: **WHG Properties, LLC**, North Wales, PA (US)

*Primary Examiner* — Michael A Pratt

(74) *Attorney, Agent, or Firm* — Merchant & Gould, PC

(\*\*) Term: **15 Years**

(21) Appl. No.: **29/542,312**

(57) **CLAIM**

(22) Filed: **Oct. 13, 2015**

The ornamental design for a component of a trigger mechanism for a firearm, as shown and described.

**Related U.S. Application Data**

(62) Division of application No. 29/500,695, filed on Aug. 27, 2014, now Pat. No. Des. 745,943.

(51) **LOC (10) Cl.** ..... **22-01**

**DESCRIPTION**

(52) **U.S. Cl.**

USPC ..... **D22/108**

(58) **Field of Classification Search**

USPC ..... D1/100, 127–130, 199; D28/8.1; D21/386; D24/100–101; D22/108–109

CPC ..... F41A 19/10; F41A 17/46; F41A 35/00; F41A 19/09; F41A 19/11; F41A 19/21; F41C 27/00

See application file for complete search history.

(56) **References Cited**

**U.S. PATENT DOCUMENTS**

2,654,794 A \* 10/1953 Zaugg ..... H01M 2/0207

429/154

2,928,892 A \* 3/1960 Ensign ..... H01M 6/46

429/155

4,499,684 A 2/1985 Repa

(Continued)

FIG. 1 is an isometric view of a component of a trigger mechanism for a firearm;

FIG. 2 is a front elevation view of the component of a trigger mechanism for a firearm of FIG. 1;

FIG. 3 is a rear elevation view of the component of a trigger mechanism for a firearm of FIG. 1;

FIG. 4 is a right side elevation view of the component of a trigger mechanism for a firearm of FIG. 1;

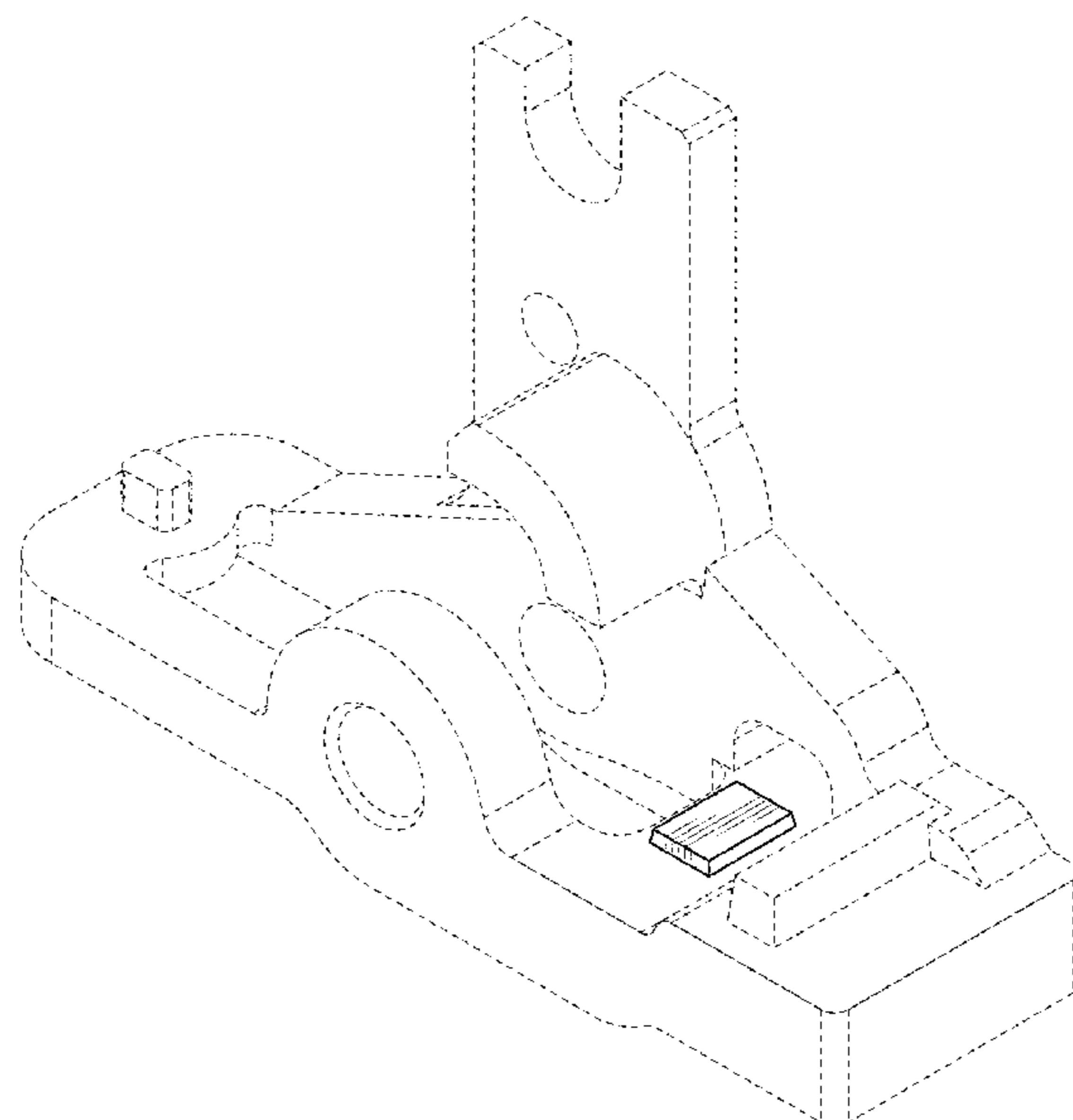
FIG. 5 is a left side elevation view of the component of a trigger mechanism for a firearm of FIG. 1;

FIG. 6 is a top view of the component of a trigger mechanism for a firearm of FIG. 1; and,

FIG. 7 is a bottom view of the component of a trigger mechanism for a firearm of FIG. 1.

The broken lines in the Figures are for illustrative purposes only and form no part of the claimed design.

**1 Claim, 5 Drawing Sheets**



(56)

References Cited

U.S. PATENT DOCUMENTS

H000144 H 10/1986 Savioli  
 4,983,803 A 1/1991 Pringle  
 5,852,270 A 12/1998 Holkeboer  
 6,217,000 B1\* 4/2001 Younie ..... B29C 33/38  
 244/123.1  
 6,760,991 B1 7/2004 Gentry  
 D556,290 S \* 11/2007 Swan ..... D22/108  
 7,331,136 B2 2/2008 Geissele  
 D586,875 S \* 2/2009 Swan ..... D22/109  
 D588,672 S \* 3/2009 Swan ..... D22/109  
 7,600,338 B2 10/2009 Geissele  
 D641,826 S \* 7/2011 Larsson ..... D22/109  
 8,069,602 B2 12/2011 Geissele  
 8,074,393 B2 12/2011 Geissele  
 8,443,536 B1 5/2013 Geissele  
 D721,781 S \* 1/2015 Larsson ..... D22/108  
 D728,729 S \* 5/2015 Geissele ..... D22/109

9,046,313 B1 6/2015 Lutton  
 9,140,510 B1 9/2015 Muska  
 9,203,054 B2\* 12/2015 Hirasawa ..... G02B 5/1866  
 D752,012 S \* 3/2016 Takahata ..... D14/142  
 9,388,517 B2\* 7/2016 Lilburn ..... D04C 1/06  
 9,500,834 B2\* 11/2016 Soma ..... G02B 6/46  
 D774,158 S \* 12/2016 Cheng ..... D22/109  
 2004/0244255 A1 12/2004 Sirois  
 2005/0246933 A1 11/2005 McGarry  
 2006/0086031 A1 4/2006 Geissele  
 2007/0051236 A1 3/2007 Groves  
 2009/0183414 A1 7/2009 Geissele  
 2014/0246003 A1 9/2014 Lipowski  
 2015/0153126 A1 6/2015 Bender  
 2015/0193980 A1\* 7/2015 Pedley ..... G06T 19/006  
 345/419  
 2015/0241156 A1 8/2015 Alicea  
 2015/0253095 A1 9/2015 Wilson  
 2016/0327708 A1\* 11/2016 Liles ..... G02B 5/22

\* cited by examiner

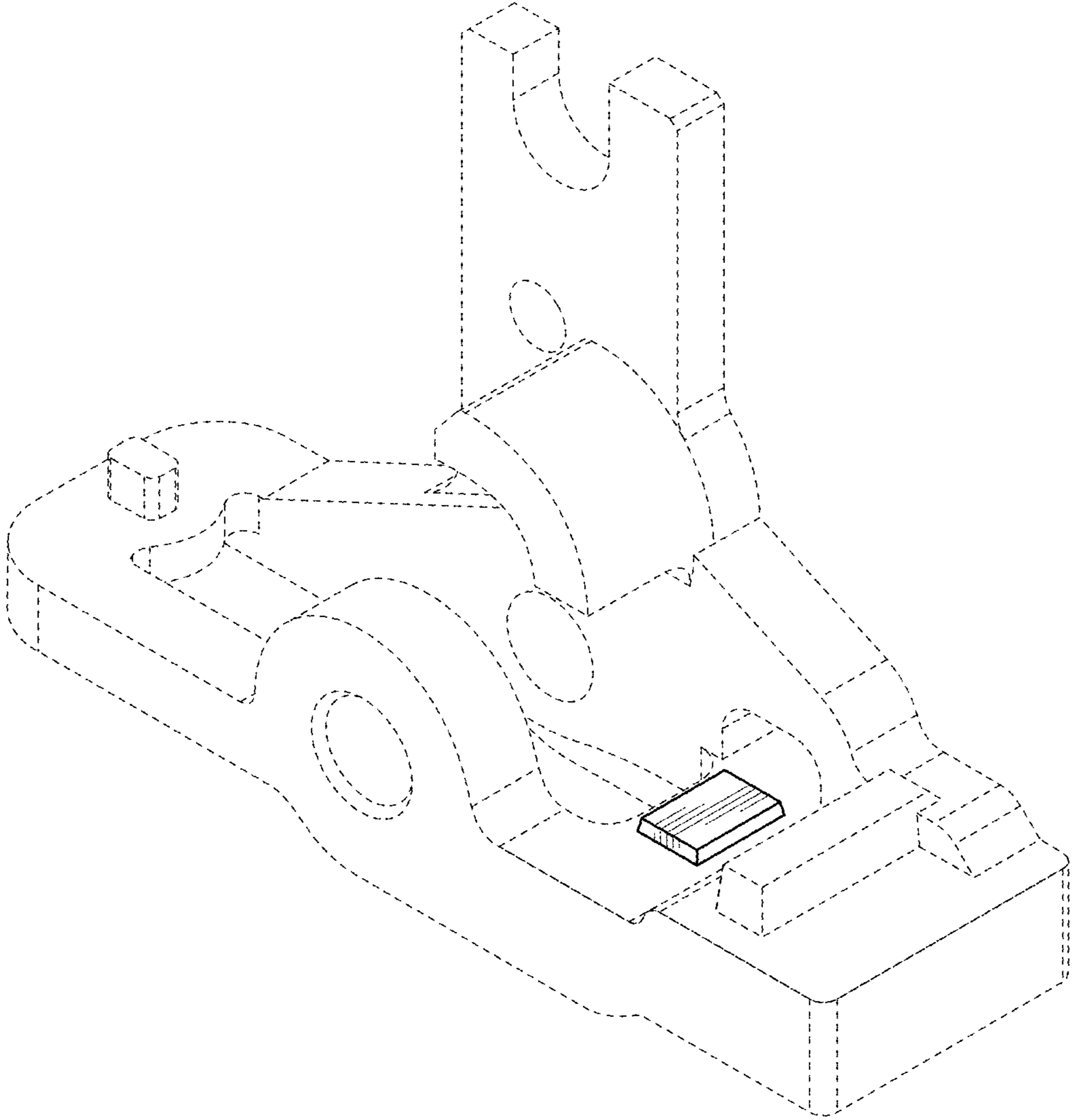


FIG. 1

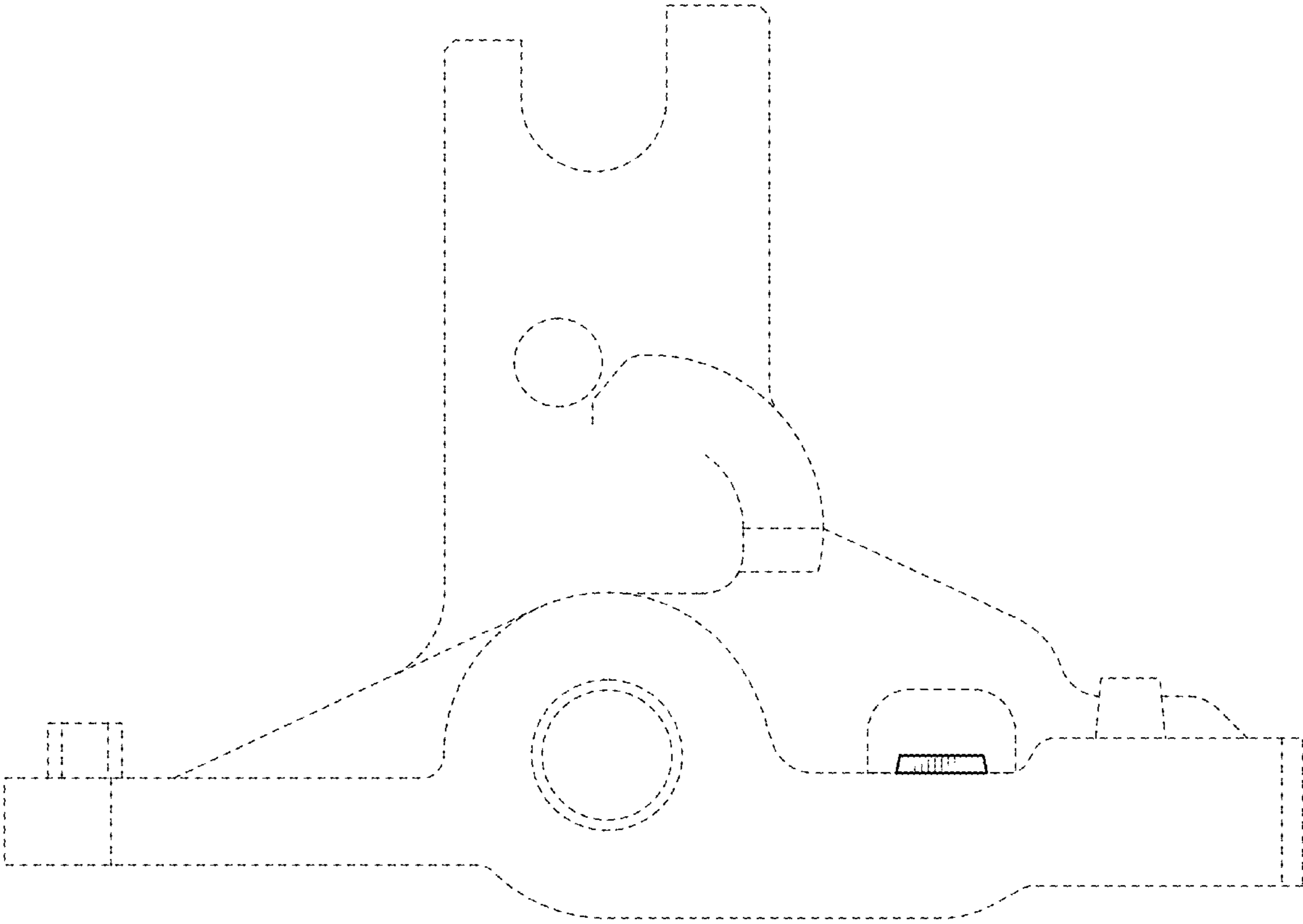


FIG. 2

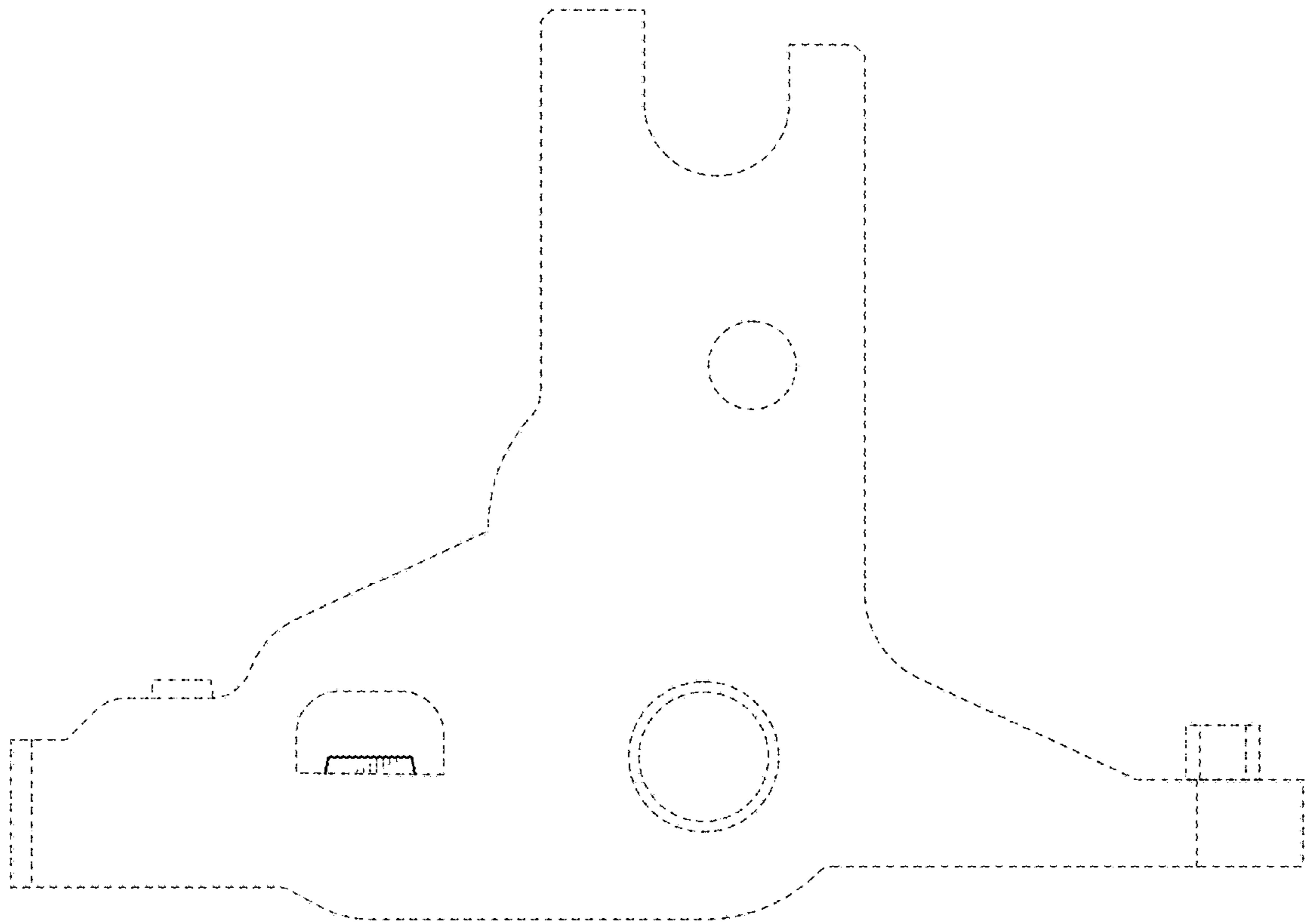


FIG. 3

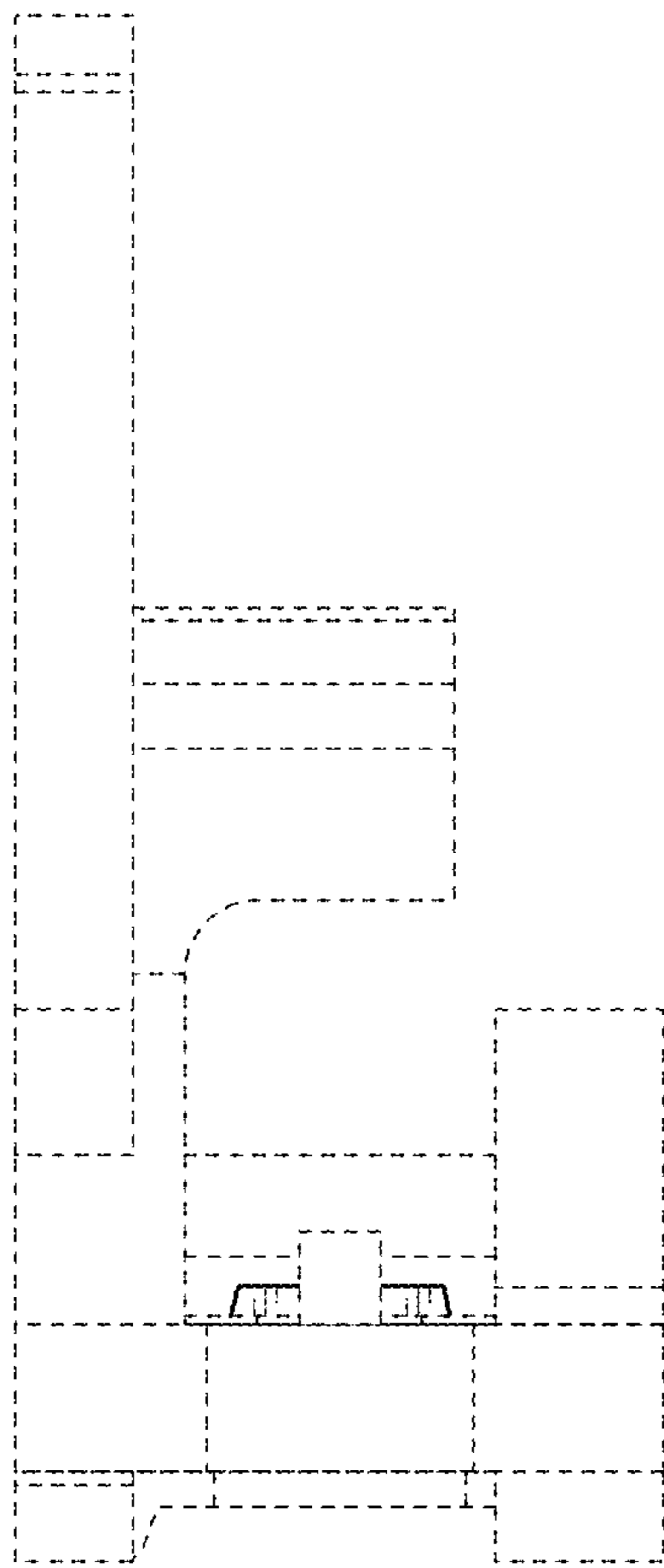


FIG. 4

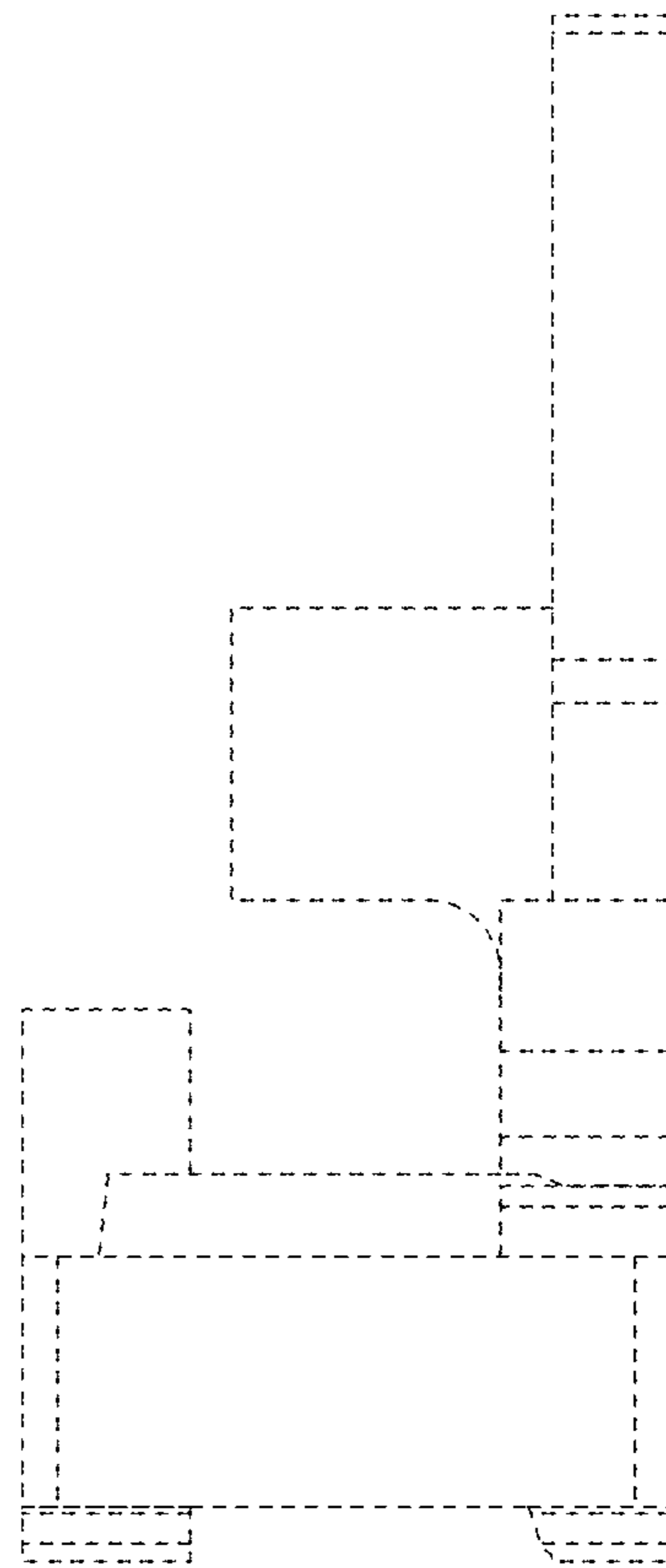


FIG. 5

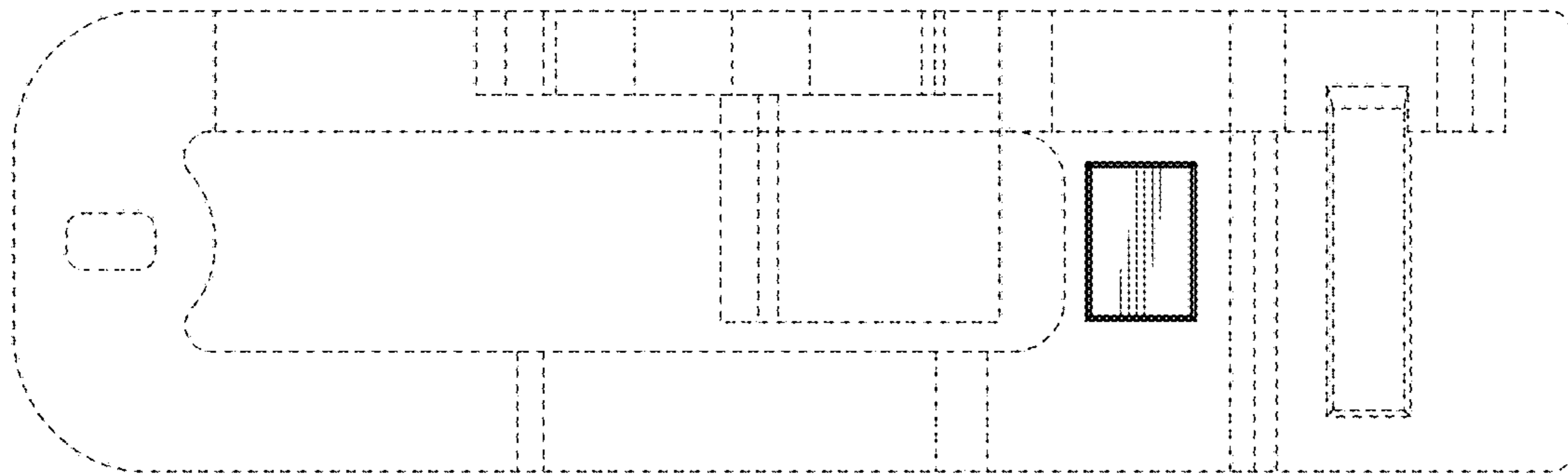


FIG. 6

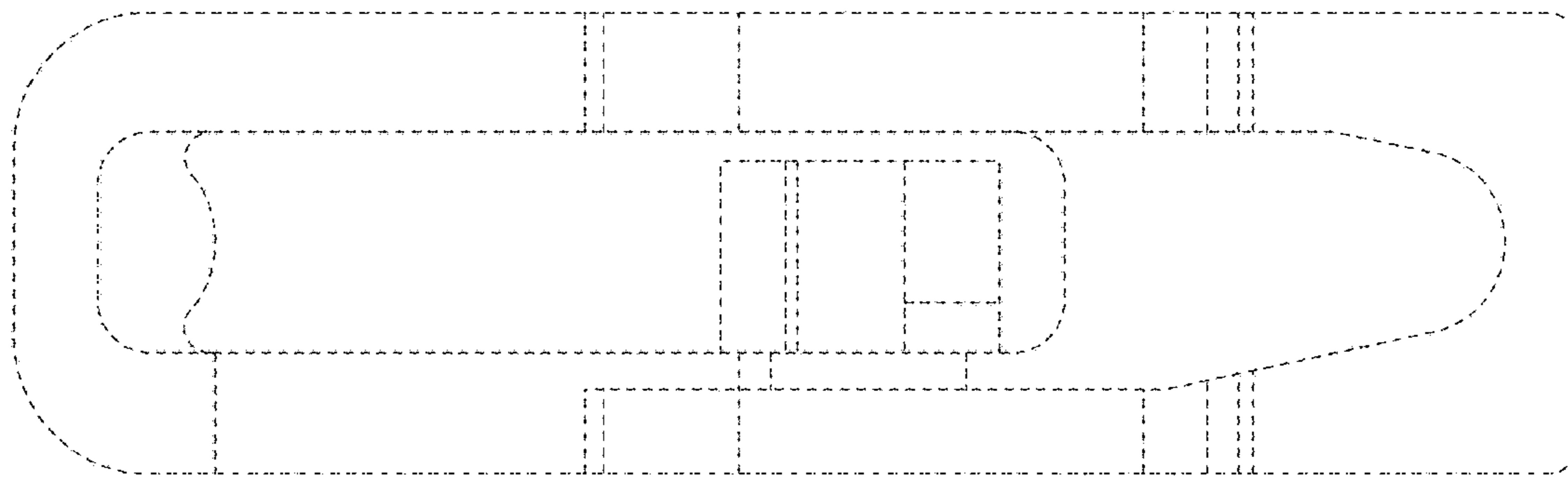


FIG. 7