



US00D781985S

(12) **United States Design Patent**
McKillips et al.

(10) **Patent No.:** **US D781,985 S**
(45) **Date of Patent:** **** Mar. 21, 2017**

- (54) **FIREARM MOUNT**
- (71) Applicant: **WHG Properties, LLC**, North Wales, PA (US)
- (72) Inventors: **Neal McKillips**, Drexel Hill, PA (US);
William H. Geissele, Lower Gwynedd, PA (US)
- (73) Assignee: **WHG Properties, LLC**, North Wales, PA (US)
- (**) Term: **15 Years**
- (21) Appl. No.: **29/538,431**
- (22) Filed: **Sep. 3, 2015**
- (51) **LOC (10) Cl.** **22-01**
- (52) **U.S. Cl.**
USPC **D22/108**
- (58) **Field of Classification Search**
USPC D22/108-109
CPC . F41G 11/003; F41G 1/00; F41G 1/16; F41G 1/345

See application file for complete search history.

- D664,232 S * 7/2012 Storch D22/108
 - D672,840 S * 12/2012 Neufeld D22/108
 - 8,456,679 B2 6/2013 Farrell
 - D704,296 S * 5/2014 Cheng D22/109
 - D728,729 S * 5/2015 Geissele D22/109
 - D741,442 S * 10/2015 Wilson D22/108
 - D747,430 S * 1/2016 Theisinger D22/109
- (Continued)

FOREIGN PATENT DOCUMENTS

GB 646419 A 11/1950

OTHER PUBLICATIONS

Badger Ordnance Website available at http://www.badgerordnance.com/night-vision-mounts.html?bo_spec=46 (Sep. 3, 2015).

Primary Examiner — Michael A Pratt

(74) *Attorney, Agent, or Firm* — Merchant & Gould, PC

(57) **CLAIM**

The ornamental design for a firearm mount, as shown and described.

DESCRIPTION

FIG. 1 is a top, front, right side perspective view of an embodiment of a firearm mount according to the present disclosure;

FIG. 2 is a right side view of the embodiment of FIG. 1;

FIG. 3 is a left side view of the embodiment of FIG. 1;

FIG. 4 is a top view of the embodiment of FIG. 1;

FIG. 5 is a bottom view of the embodiment of FIG. 1;

FIG. 6 is a front view of the embodiment of FIG. 1; and,

FIG. 7 is a back view of the embodiment of FIG. 1.

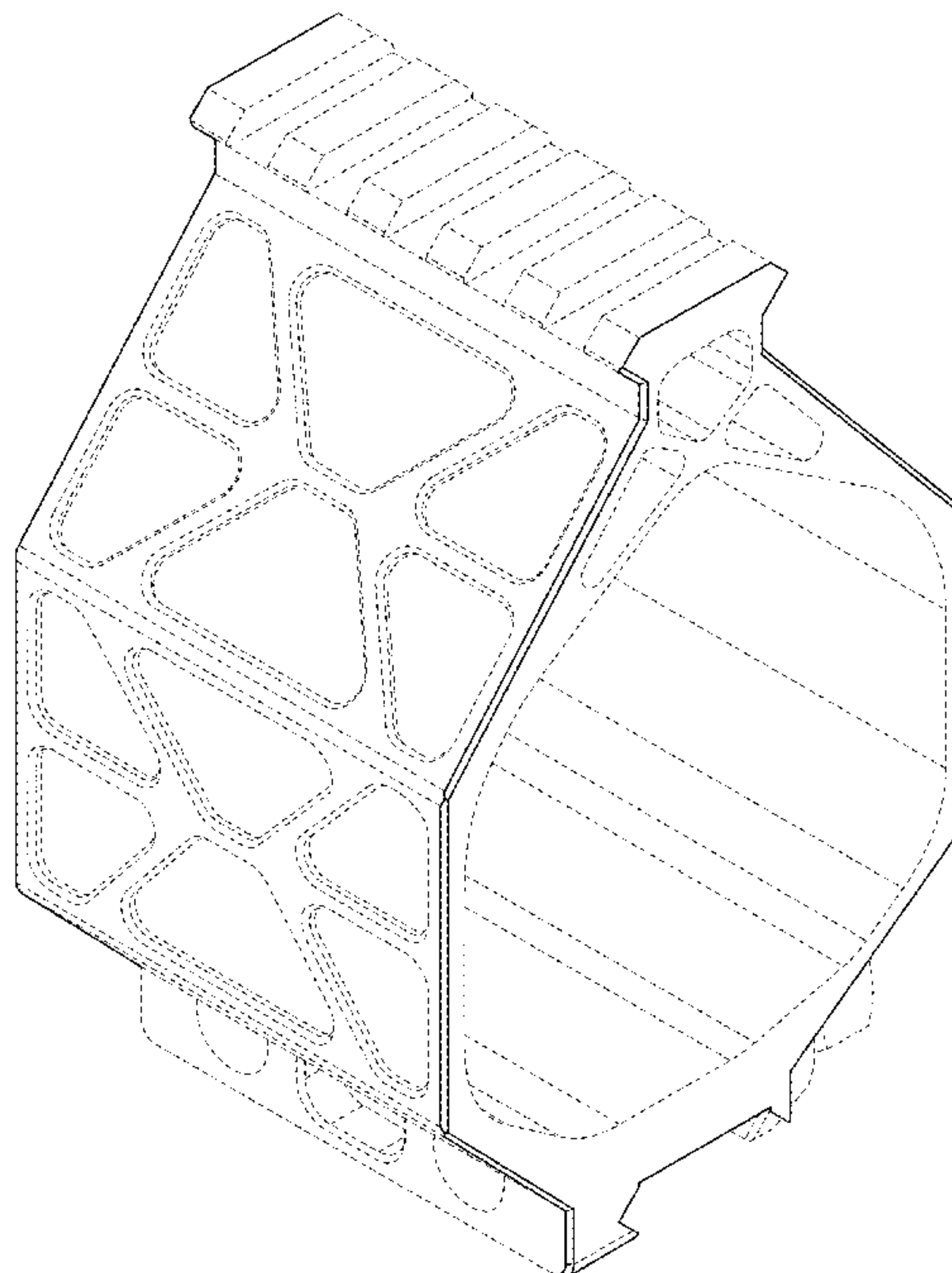
The broken lines in the Figures are for illustrative purposes only and form no part of the claimed design.

1 Claim, 6 Drawing Sheets

(56) **References Cited**

U.S. PATENT DOCUMENTS

- 2,542,513 A 2/1951 Hackett
- 3,642,341 A 2/1972 Selfried
- 4,893,412 A 1/1990 Snodgrass
- 5,155,915 A 10/1992 Repa
- D612,756 S * 3/2010 D'Amelio D10/70
- 7,694,450 B2 * 4/2010 Keng F41G 11/003
42/124
- D638,089 S * 5/2011 Ding D22/109
- D662,566 S * 6/2012 Estes D22/109



(56)

References Cited

U.S. PATENT DOCUMENTS

D747,431 S * 1/2016 Cheng D22/109
9,316,460 B2 * 4/2016 Cheng F41G 1/345
9,500,442 B2 * 11/2016 Collin G03H 1/0005
2005/0268519 A1 12/2005 Pikielny
2011/0099881 A1 5/2011 Jung
2012/0174462 A1 7/2012 Spuhr
2012/0311909 A1 12/2012 Cheng
2014/0190062 A1 7/2014 Turner
2015/0052796 A1 2/2015 Baker
2015/0128472 A1 5/2015 Theisinger
2015/0308786 A1 10/2015 Cheng
2016/0102943 A1 * 4/2016 Teetzel F41G 1/35
42/113
2016/0252330 A1 * 9/2016 Babbitt F16B 2/065

* cited by examiner

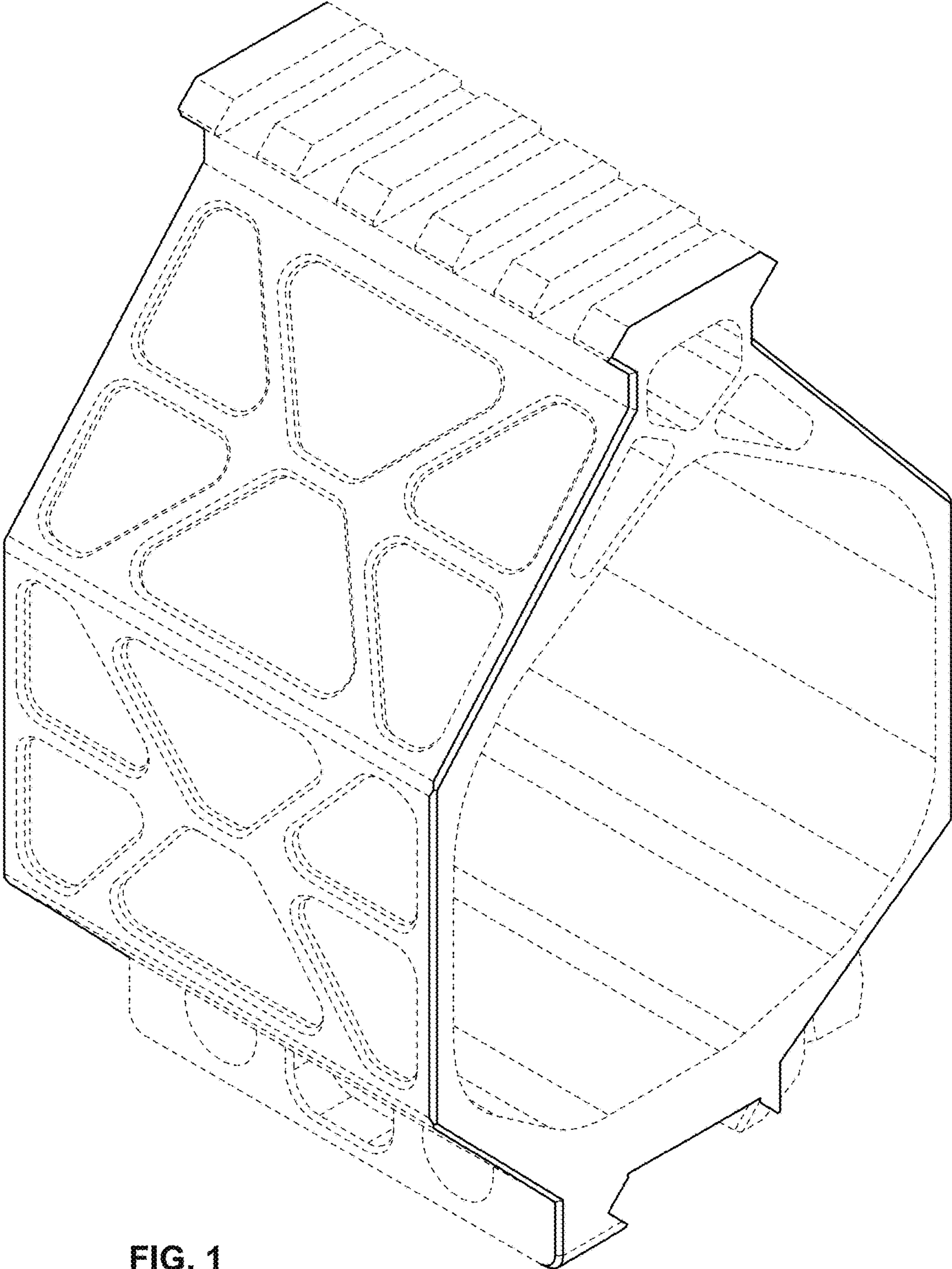


FIG. 1

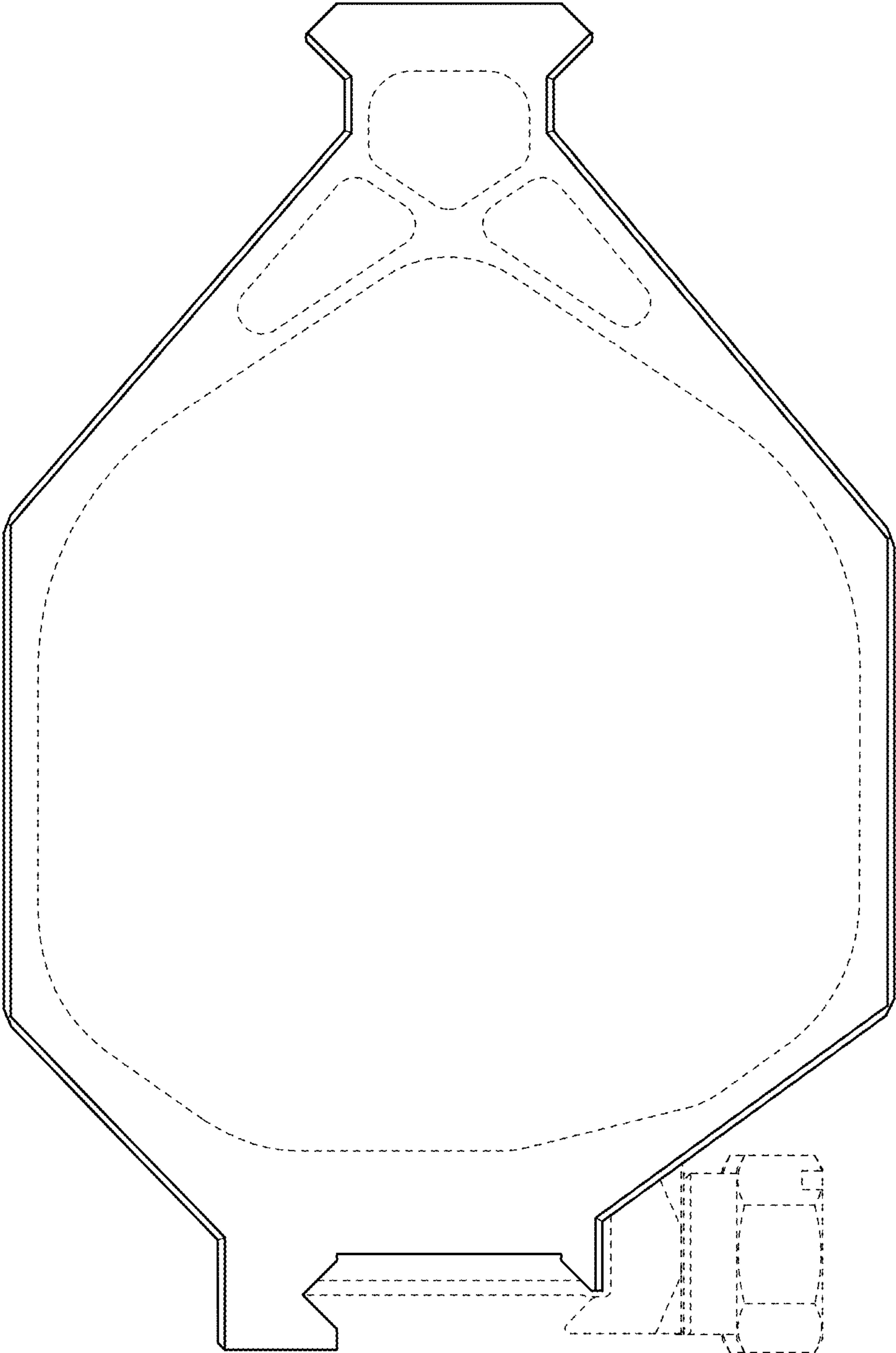


FIG. 2

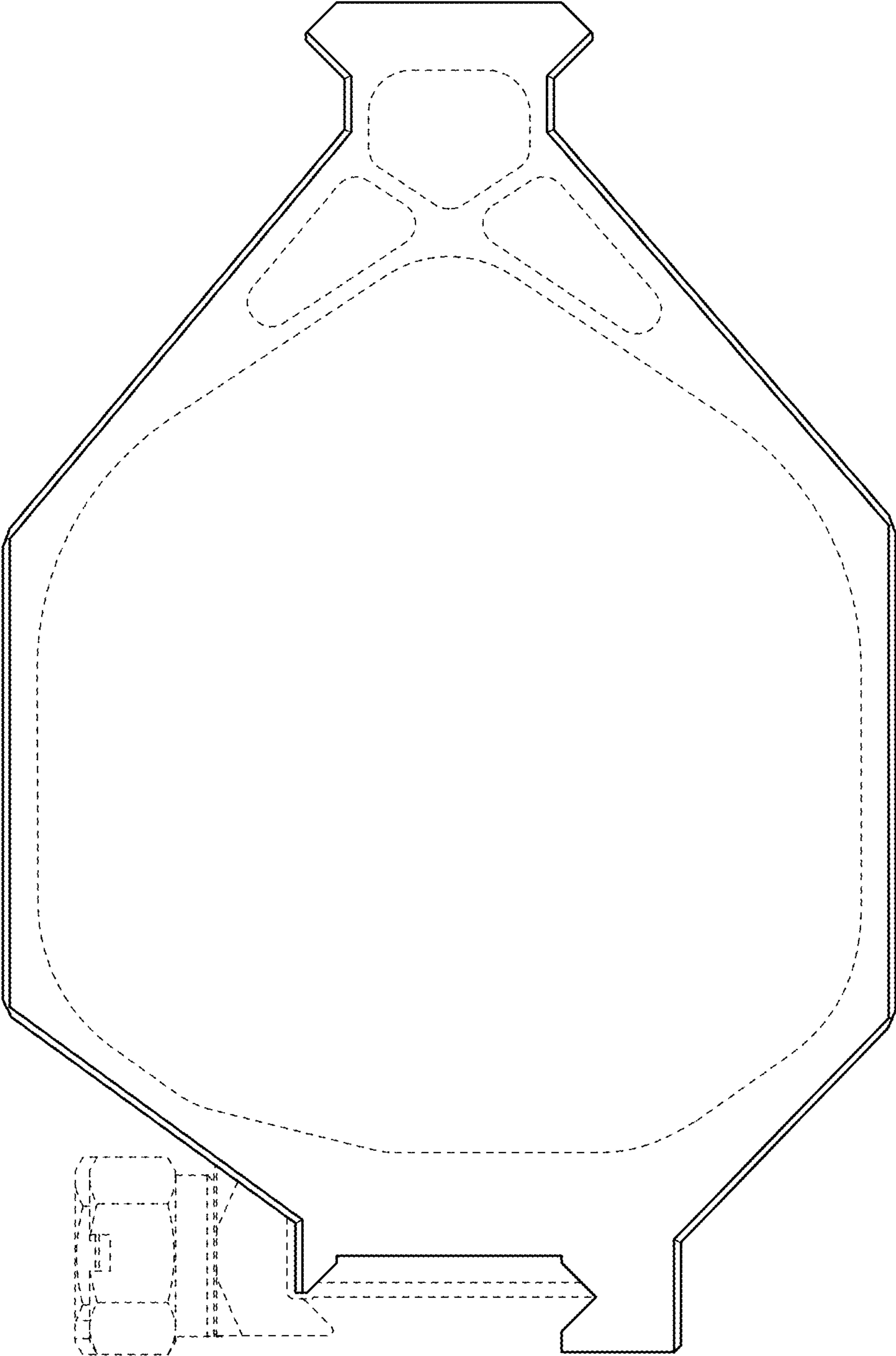


FIG. 3

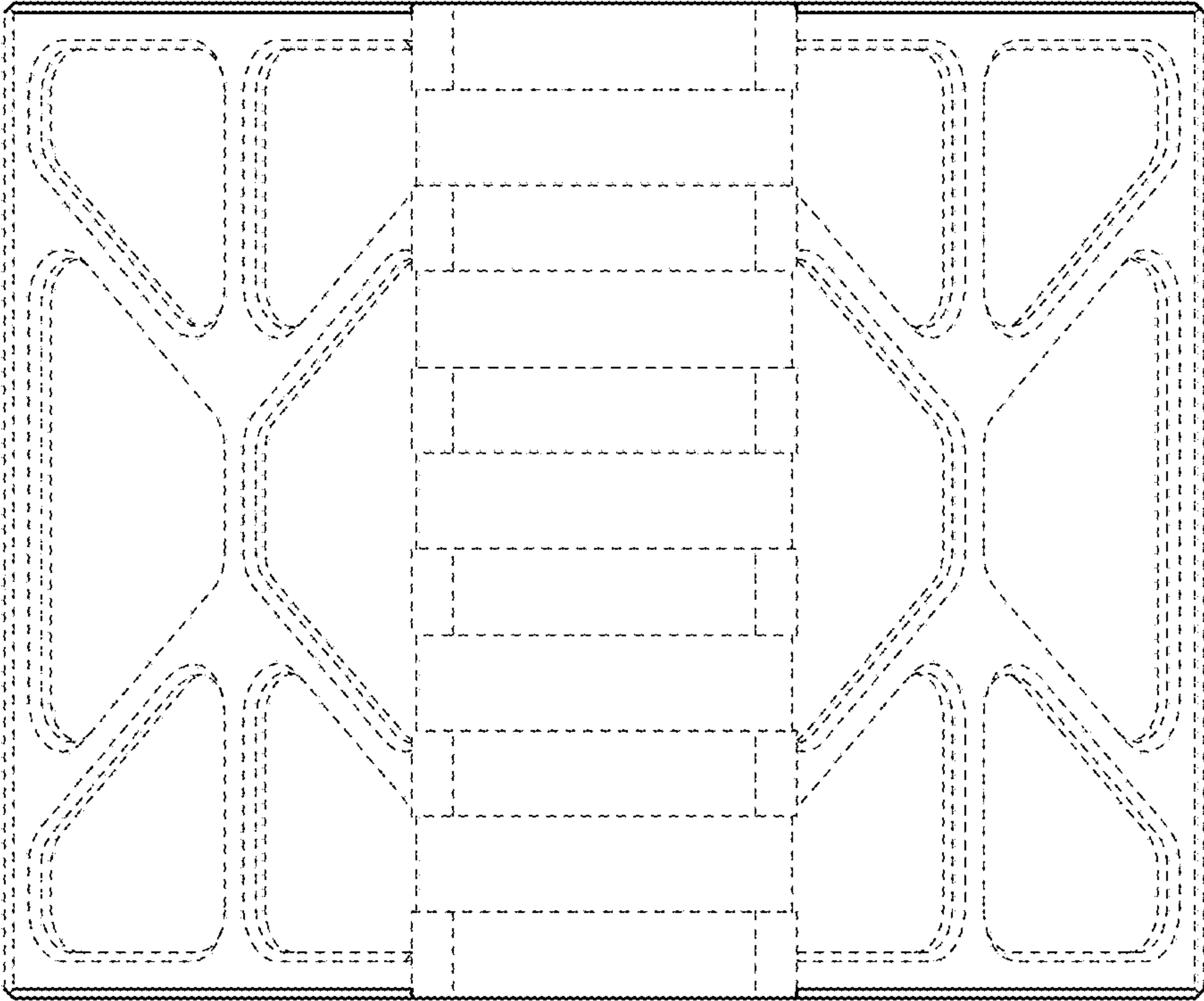


FIG. 4

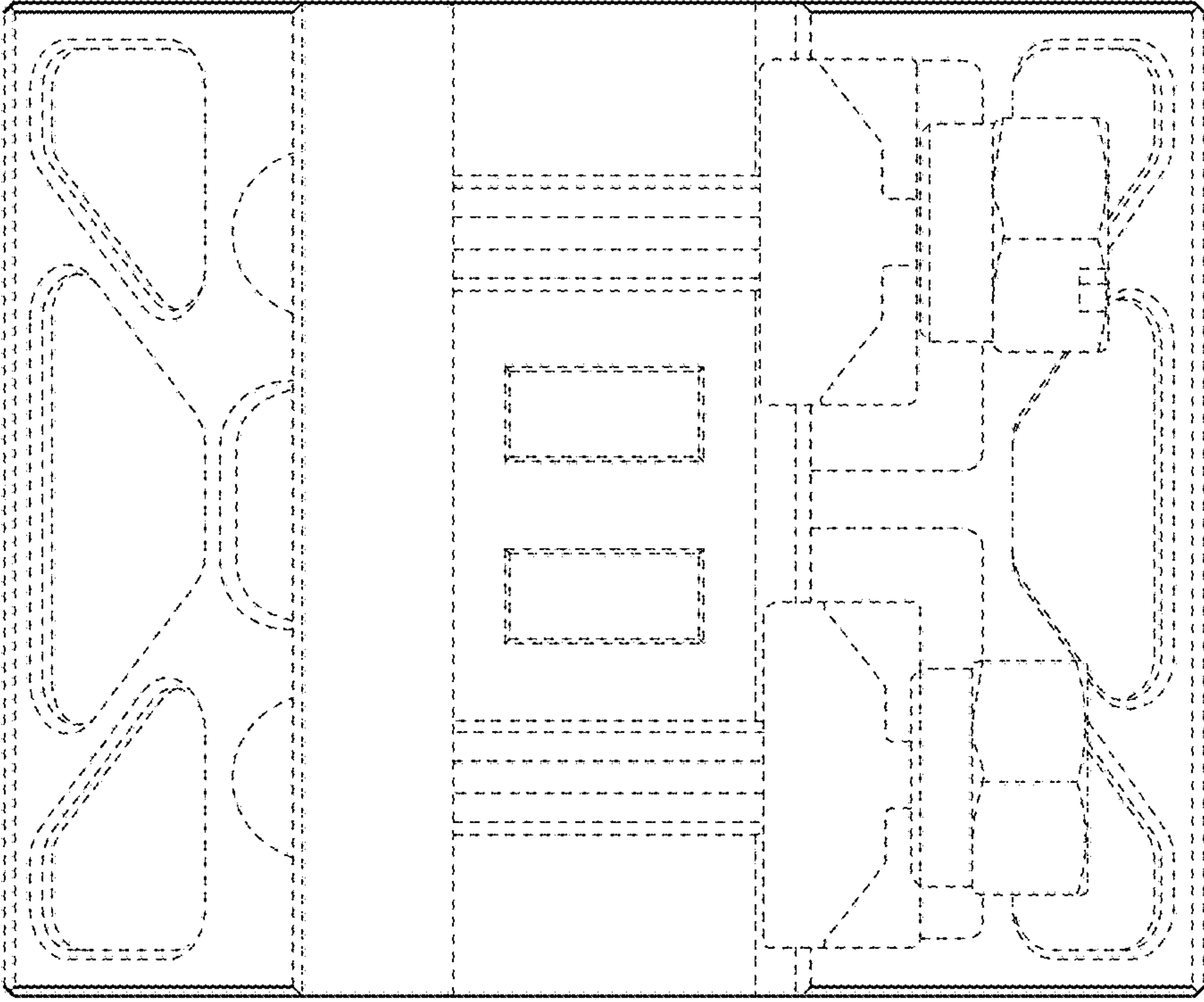


FIG. 5

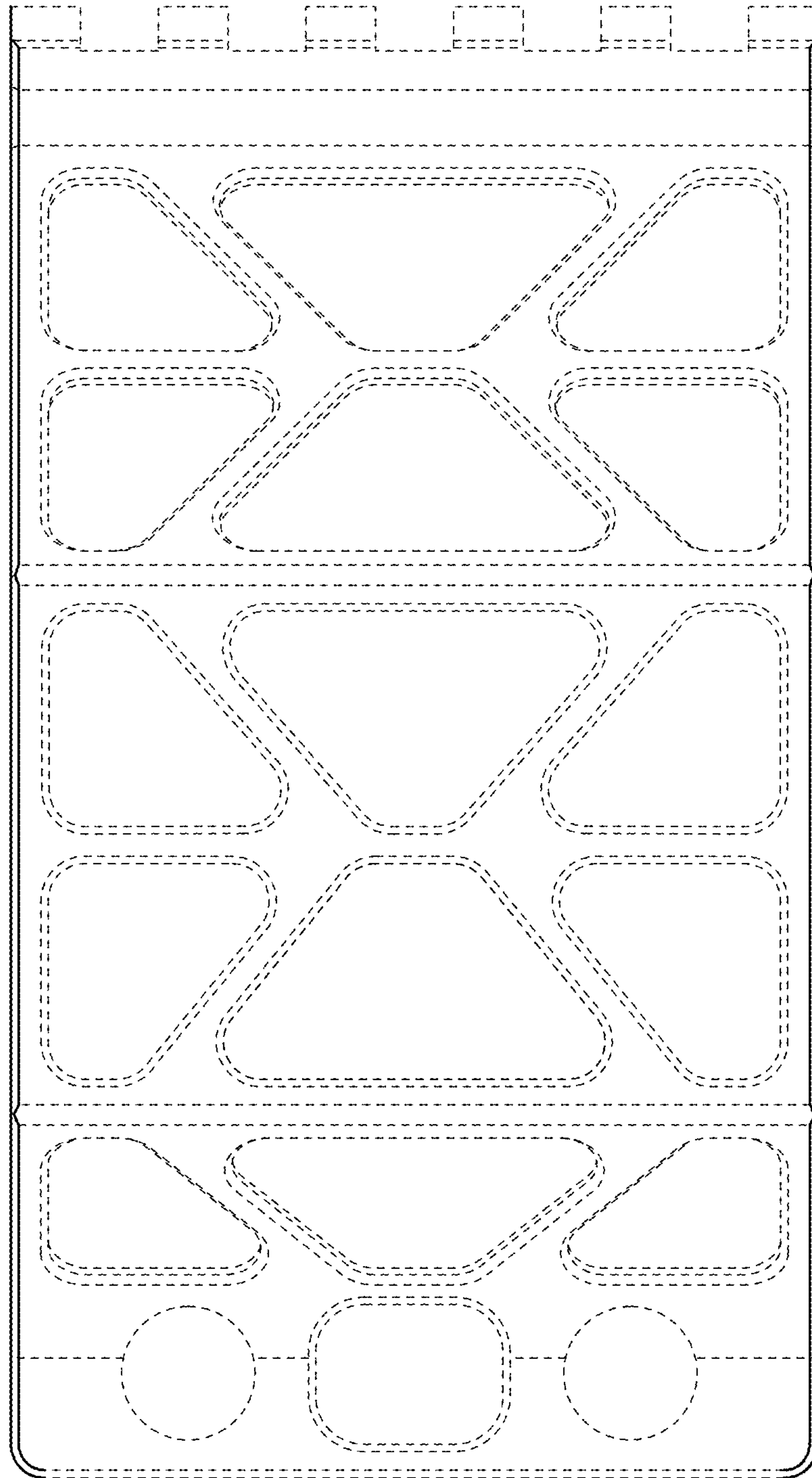


FIG. 6

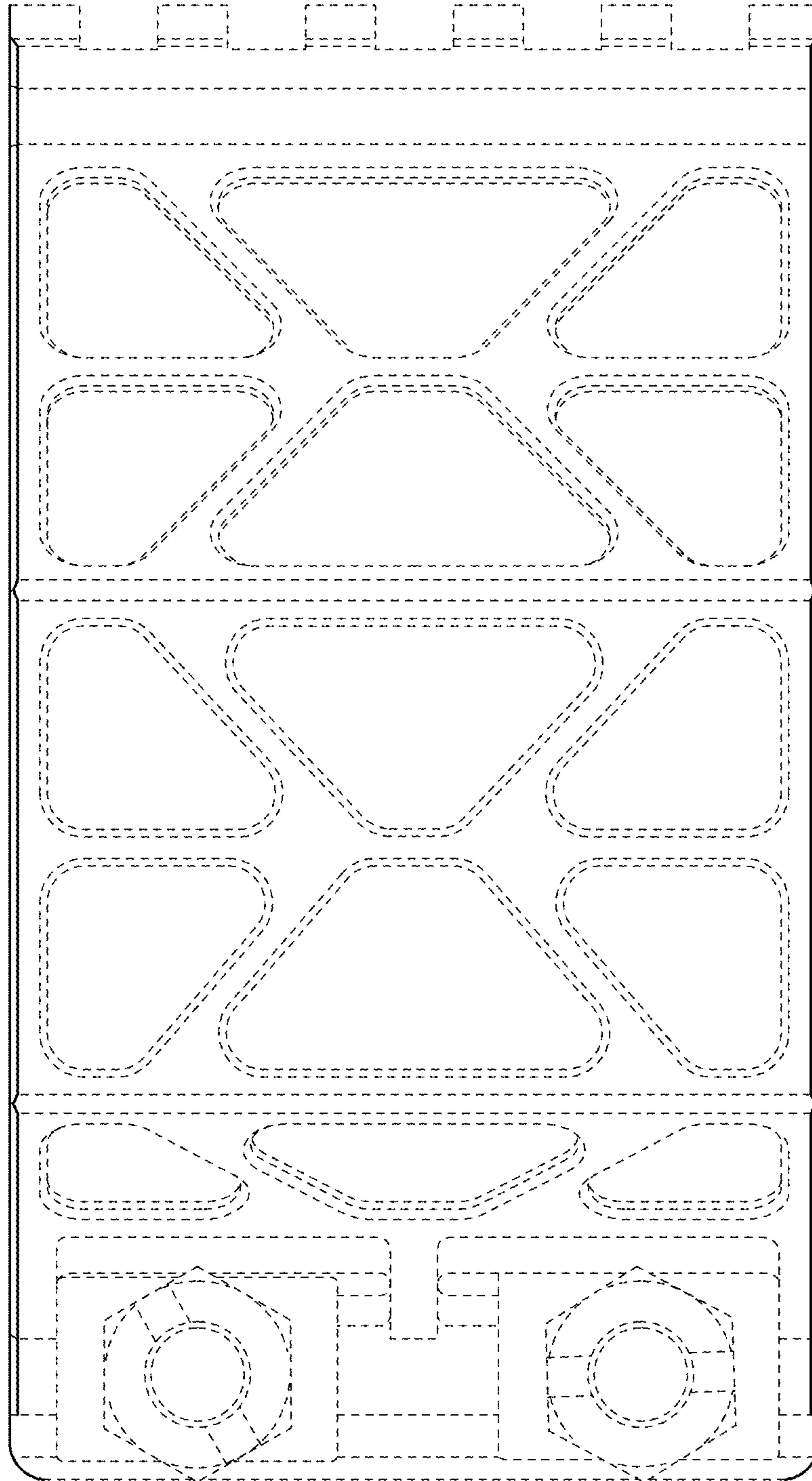


FIG. 7