



US00D781983S

(12) **United States Design Patent**  
**Wells**

(10) **Patent No.:** **US D781,983 S**

(45) **Date of Patent:** **\*\* Mar. 21, 2017**

(54) **LIGHTING DEVICE**

(71) Applicant: **SureFire, LLC**, Fountain Valley, CA  
(US)

(72) Inventor: **William Wells**, Costa Mesa, CA (US)

(73) Assignee: **SureFire, LLC**, Fountain Valley, CA  
(US)

(\*\*) Term: **15 Years**

(21) Appl. No.: **29/532,370**

(22) Filed: **Jul. 6, 2015**

**Related U.S. Application Data**

(63) Continuation-in-part of application No. 14/599,187,  
filed on Jan. 16, 2015.

(51) **LOC (10) Cl.** ..... **22-01**

(52) **U.S. Cl.**  
USPC ..... **D22/108**

(58) **Field of Classification Search**  
USPC ..... D22/108; D26/38  
CPC ..... F41G 1/35; F41G 1/345  
See application file for complete search history.

(56) **References Cited**

**U.S. PATENT DOCUMENTS**

D682,977 S *	5/2013	Thummel	.....	D10/70
D712,001 S *	8/2014	Wells	.....	D22/108
D729,339 S *	5/2015	Chavez	.....	D22/109
D738,455 S *	9/2015	Homem de Mello		
		Anderson	.....	D22/109
D746,405 S *	12/2015	Nemeyer	.....	D22/109

D755,340 S *	5/2016	Essig	.....	D22/109
D762,806 S *	8/2016	Chavez	.....	D22/109
D763,399 S *	8/2016	Anderson	.....	D22/109
9,435,522 B2 *	9/2016	Galli	.....	F21V 23/0414
2011/0214973 A1 *	9/2011	Solinsk	.....	F41G 1/345
				200/336
2015/0124436 A1 *	5/2015	Galli	.....	F41G 11/003
				362/110
2016/0209167 A1 *	7/2016	Wells	.....	F41C 27/00
2016/0209168 A1 *	7/2016	Sharrah	.....	F41G 11/004

\* cited by examiner

*Primary Examiner* — Michael A Pratt

(74) *Attorney, Agent, or Firm* — Haynes and Boone, LLP

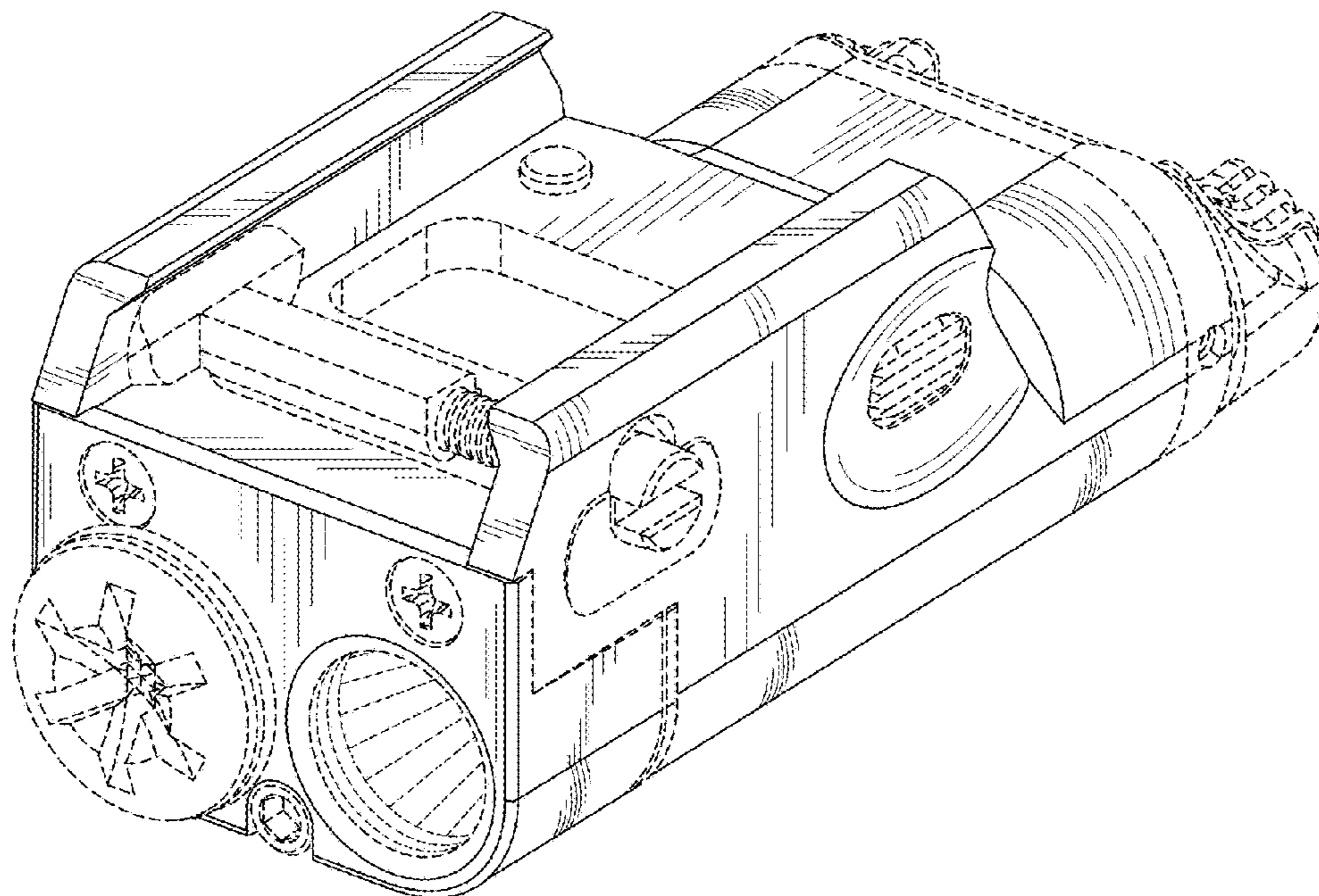
(57) **CLAIM**

The ornamental design for a lighting device, as shown and described.

**DESCRIPTION**

FIG. 1 is a front left upper perspective view of a lighting device showing my new design;  
 FIG. 2 is a front right lower perspective view thereof;  
 FIG. 3 is a rear right upper perspective view thereof;  
 FIG. 4 is a rear left lower perspective view thereof;  
 FIG. 5 is a front side elevational view thereof;  
 FIG. 6 is a rear side elevational view thereof;  
 FIG. 7 is a right side elevational view thereof;  
 FIG. 8 is a left side elevational view thereof;  
 FIG. 9 is a top plan view thereof; and  
 FIG. 10 is a bottom plan view thereof; and,  
 FIG. 11 is a left side elevational view of the lighting device mounted on an example firearm.  
 The broken lines in the drawings illustrate environmental features and form no part of the claimed design.

**1 Claim, 11 Drawing Sheets**



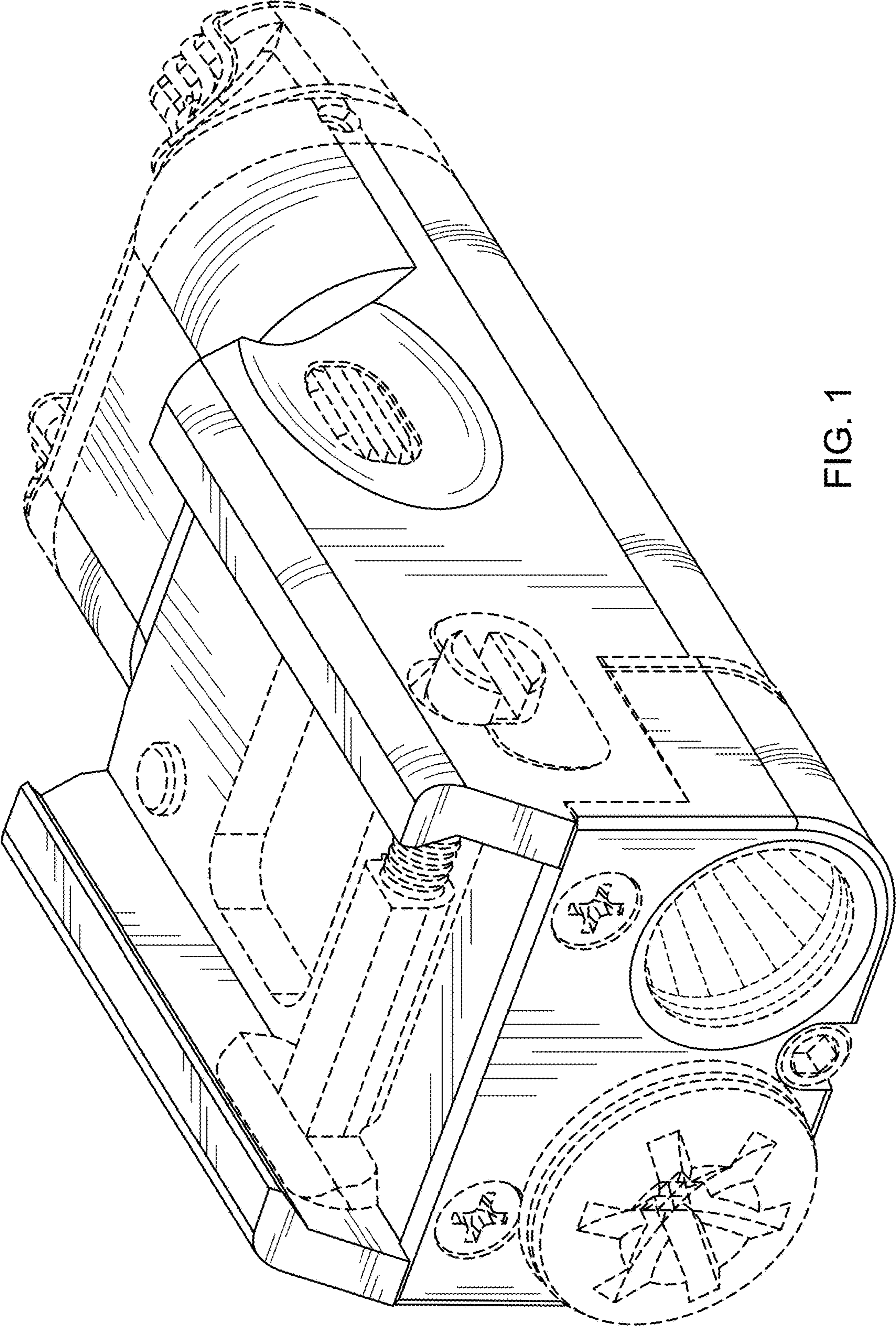


FIG. 1

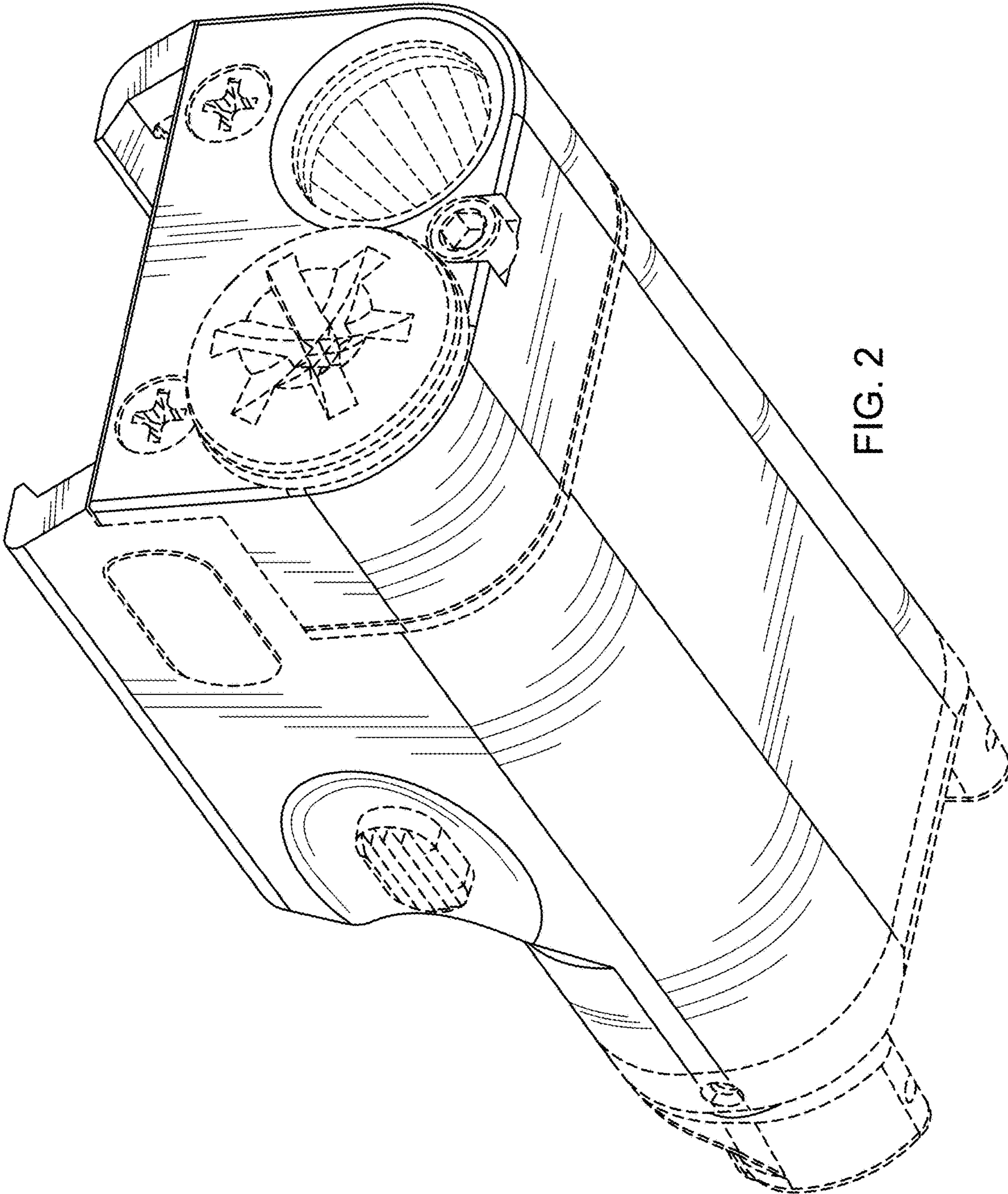


FIG. 2

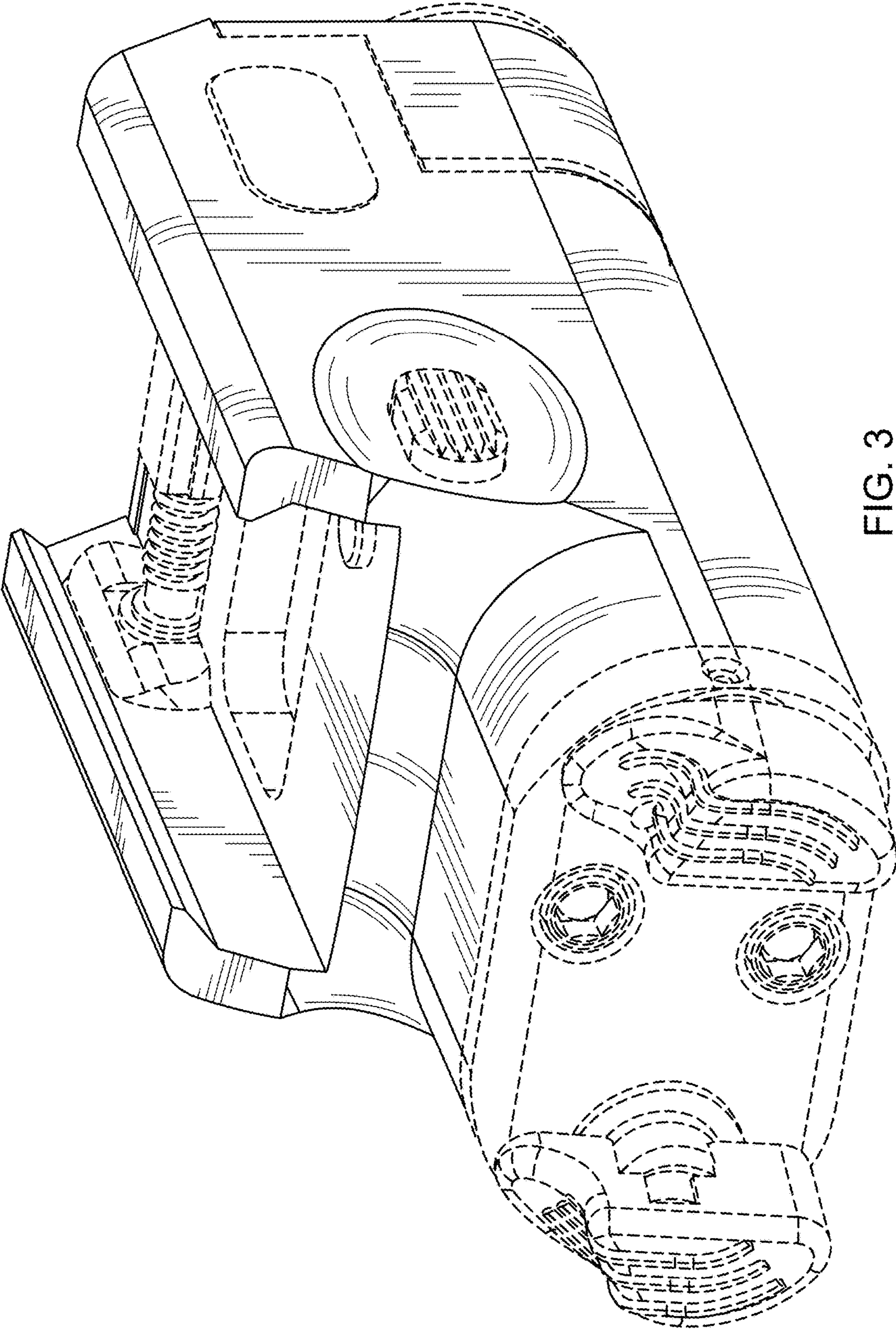


FIG. 3

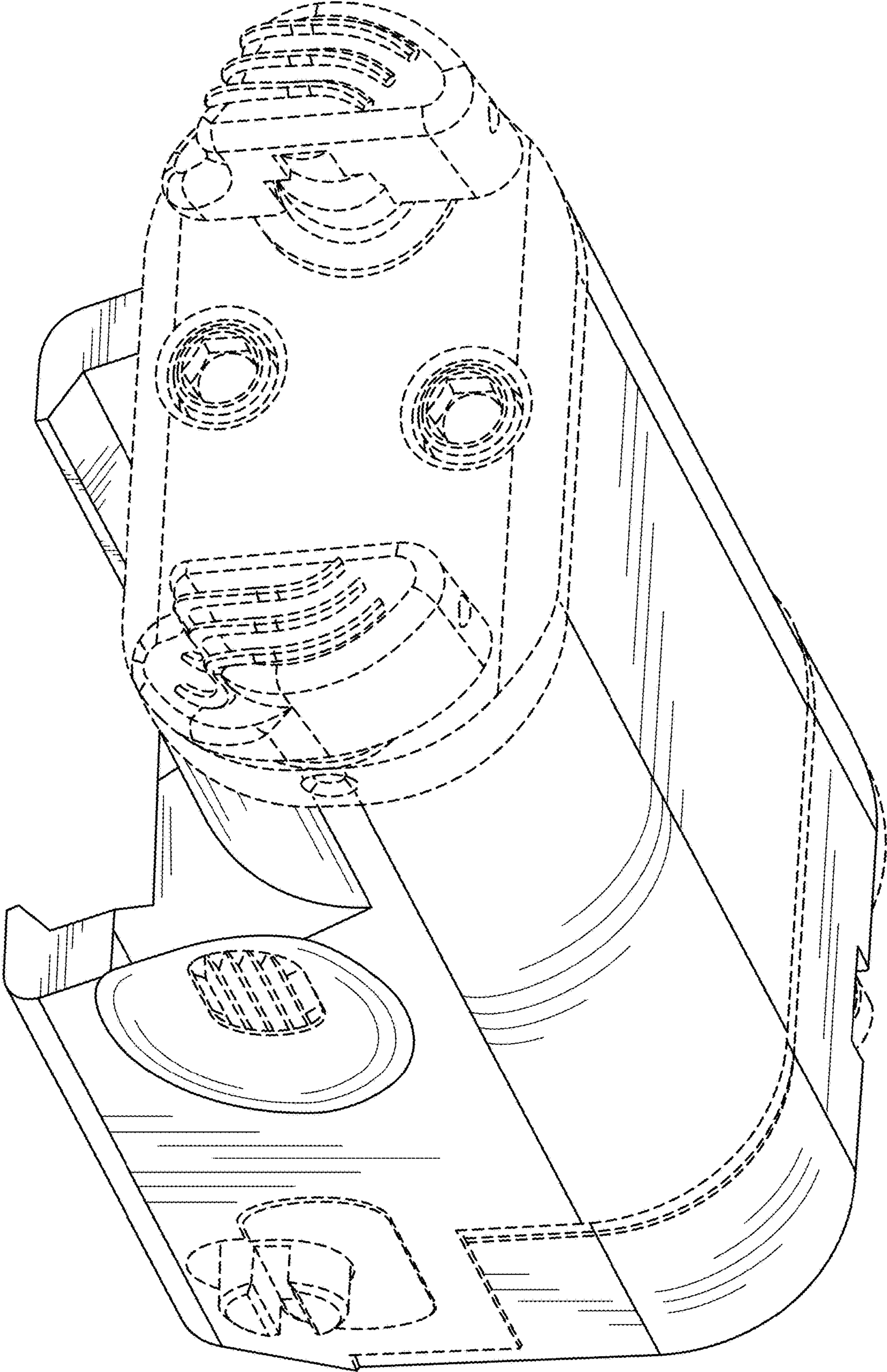


FIG. 4

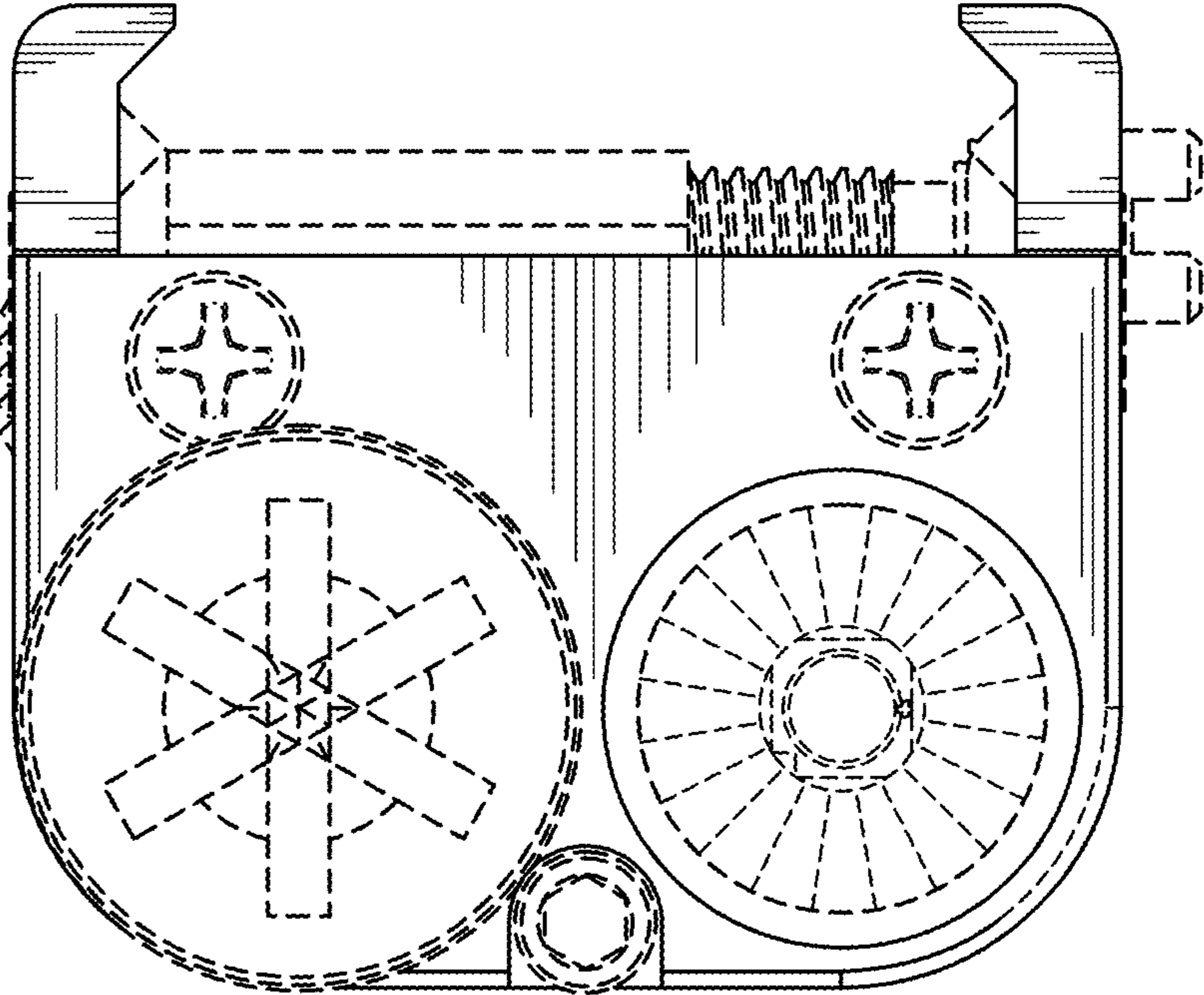


FIG. 5

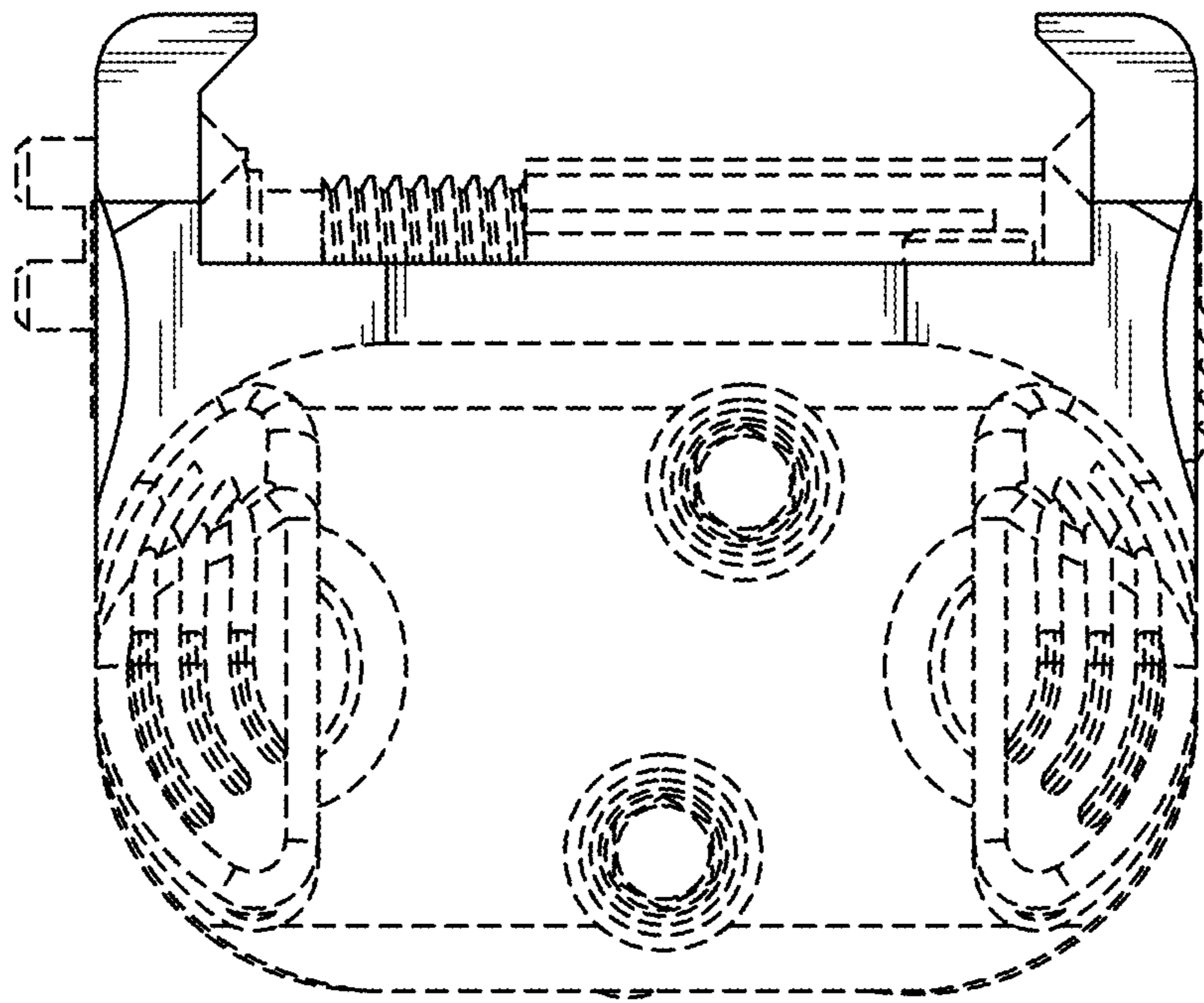


FIG. 6

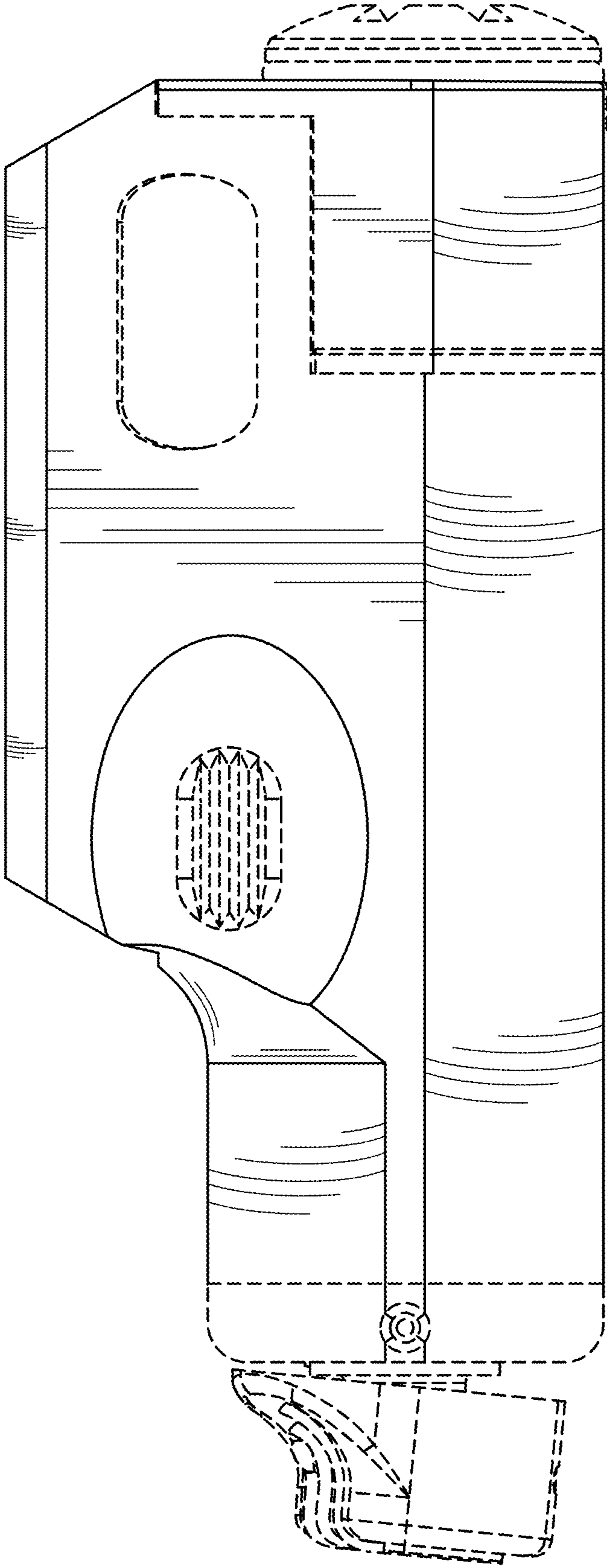


FIG. 7



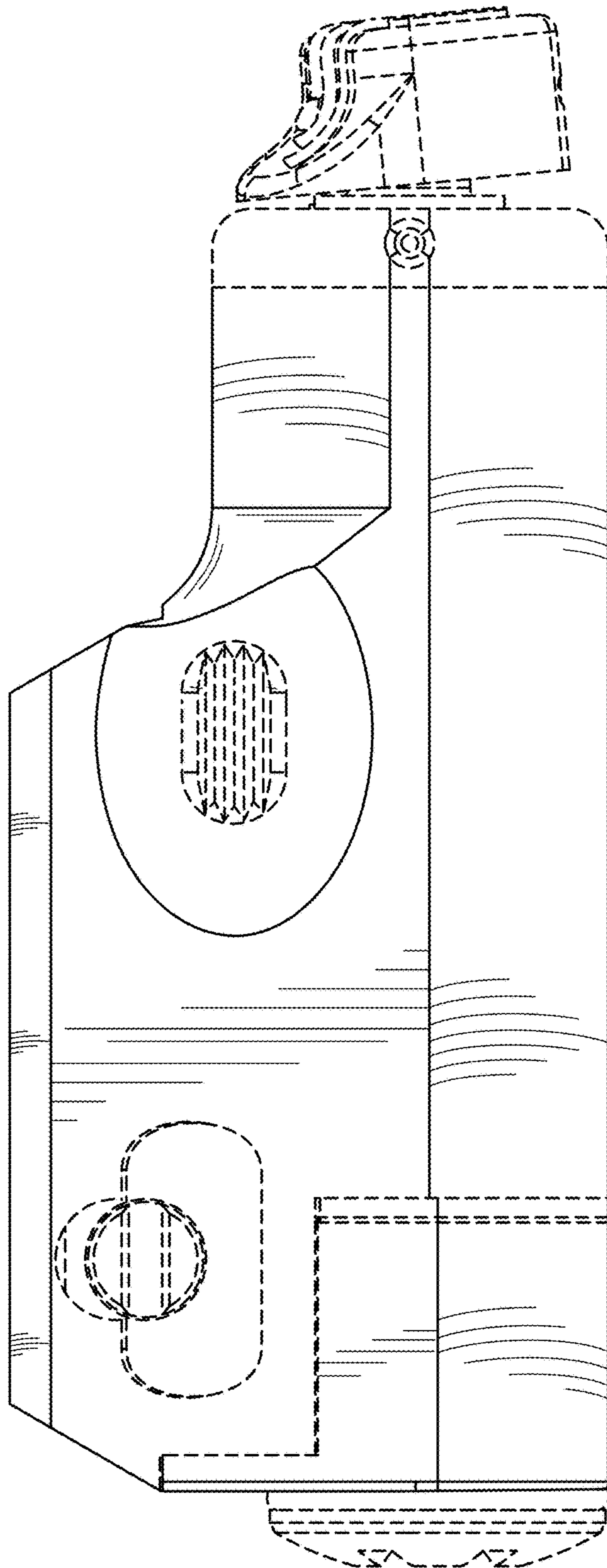


FIG. 8

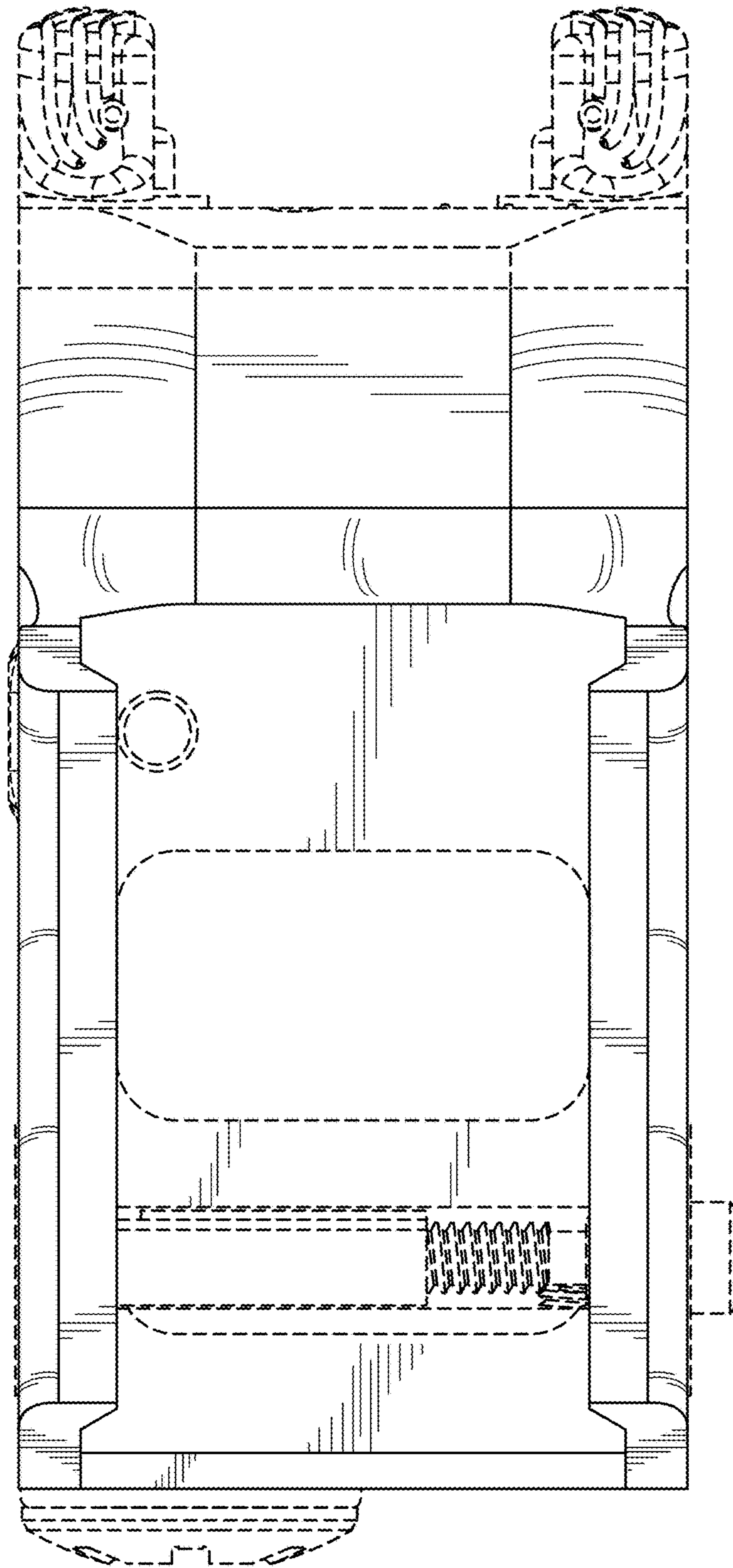


FIG. 9

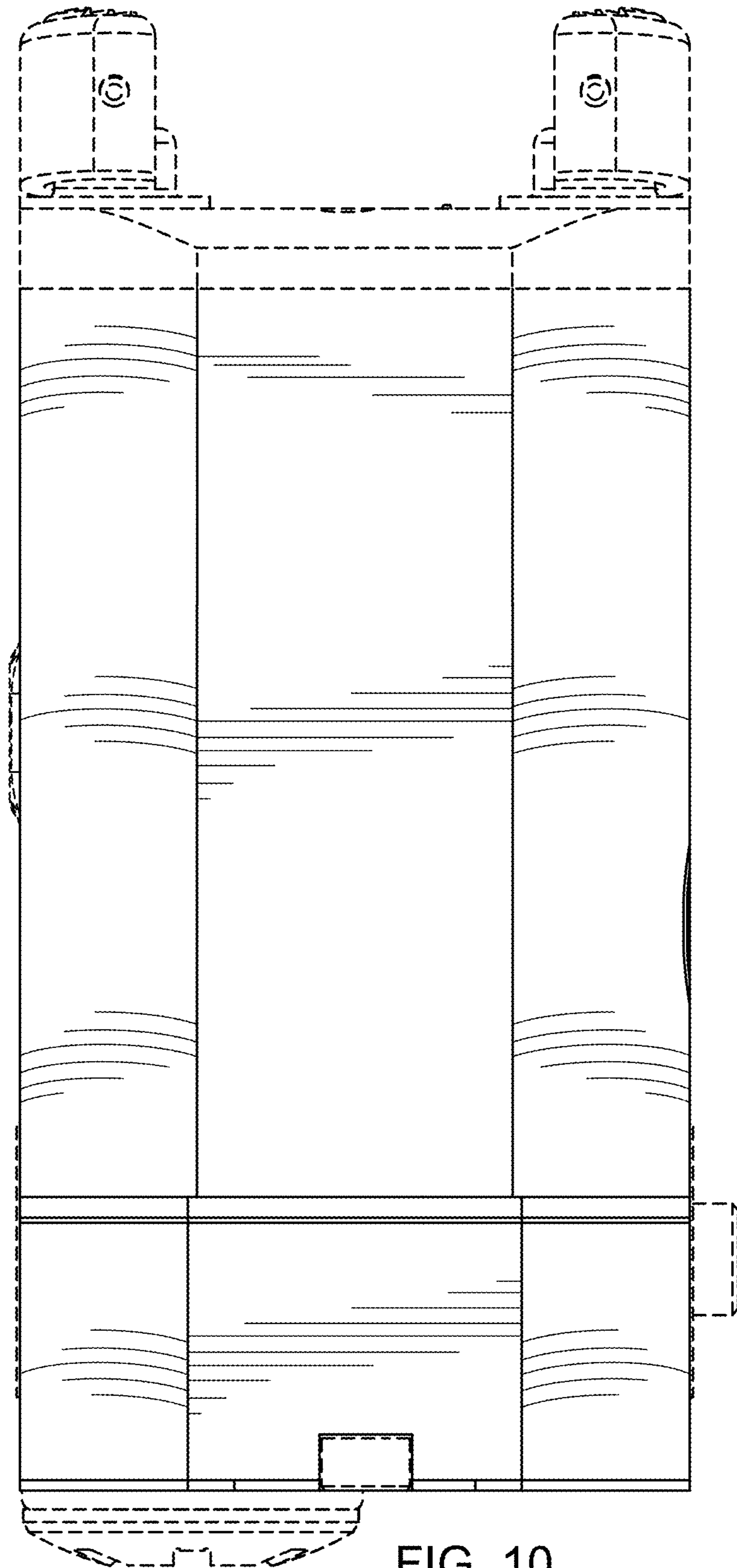


FIG. 10

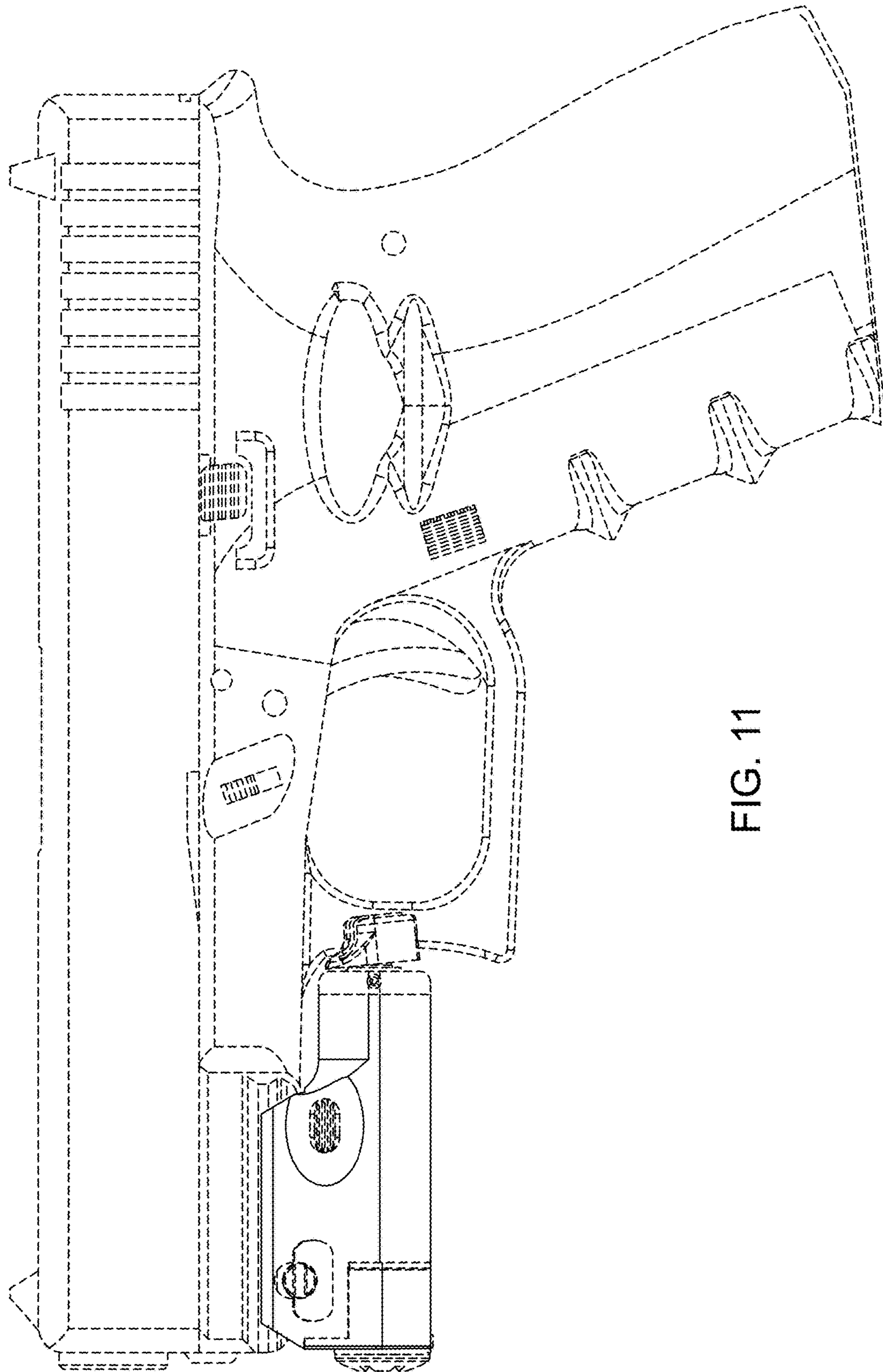


FIG. 11