



US00D781982S

(12) **United States Design Patent**
Pittman

(10) **Patent No.:** **US D781,982 S**
(45) **Date of Patent:** **** Mar. 21, 2017**

(54) **ROTATING LIGHT BODY MOUNT**

(71) Applicant: **Impact Weapons Components, LLC,**
Timnath, CO (US)

(72) Inventor: **Earl L. Pittman,** Fort Collins, CO (US)

(73) Assignee: **Impact Weapons Components, LLC,**
Timnath, CO (US)

(**) Term: **14 Years**

(21) Appl. No.: **29/526,342**

(22) Filed: **May 8, 2015**

(51) **LOC (10) Cl.** **22-01**

(52) **U.S. Cl.**
USPC **D22/108; D22/110**

(58) **Field of Classification Search**
USPC D22/108-110; D8/349; 42/111, 124-128
CPC F41G 11/00; F41G 11/001; F41G
11/003-11/008; F41G 1/16; F41G 1/42;
F41G 1/545

See application file for complete search history.

(56) **References Cited**

U.S. PATENT DOCUMENTS

D141,692 S *	6/1945	Nemeth	D16/136
3,406,455 A *	10/1968	Akin, Jr.	F41G 11/001 248/205.1
3,620,149 A *	11/1971	Ogihara	G03B 7/14 359/829
4,860,480 A *	8/1989	Ruger	F41G 11/003 42/124
D444,532 S *	7/2001	Bullock	D22/108
D525,336 S *	7/2006	Esch	D22/108
D612,895 S *	3/2010	Stein	D21/573
D671,394 S *	11/2012	Derry	D8/373
D680,419 S *	4/2013	Green	D8/349
D715,886 S *	10/2014	Pittman	D22/109
D717,905 S *	11/2014	Prince	D22/108

D726,277 S *	4/2015	Mayberry	D22/108
D726,279 S *	4/2015	Stedman	D22/108
D737,396 S *	8/2015	Paganis	D22/108
D739,913 S *	9/2015	Nevils	D22/109

(Continued)

OTHER PUBLICATIONS

NIR Bandpass & Laser Line Filters: 700 1650nm Center Wave-
length, posted at THORLABS, comment posting date Nov. 15,
2007. [online], [site visited Oct. 26, 2016]. Available from Internet,
<URL: https://www.thorlabs.com/newgrouppage9.cfm?objectgroup_id=1000>.*

Primary Examiner — Kevin Rudzinski

Assistant Examiner — Kathleen Jones

(74) *Attorney, Agent, or Firm* — Cooley LLP

(57) **CLAIM**

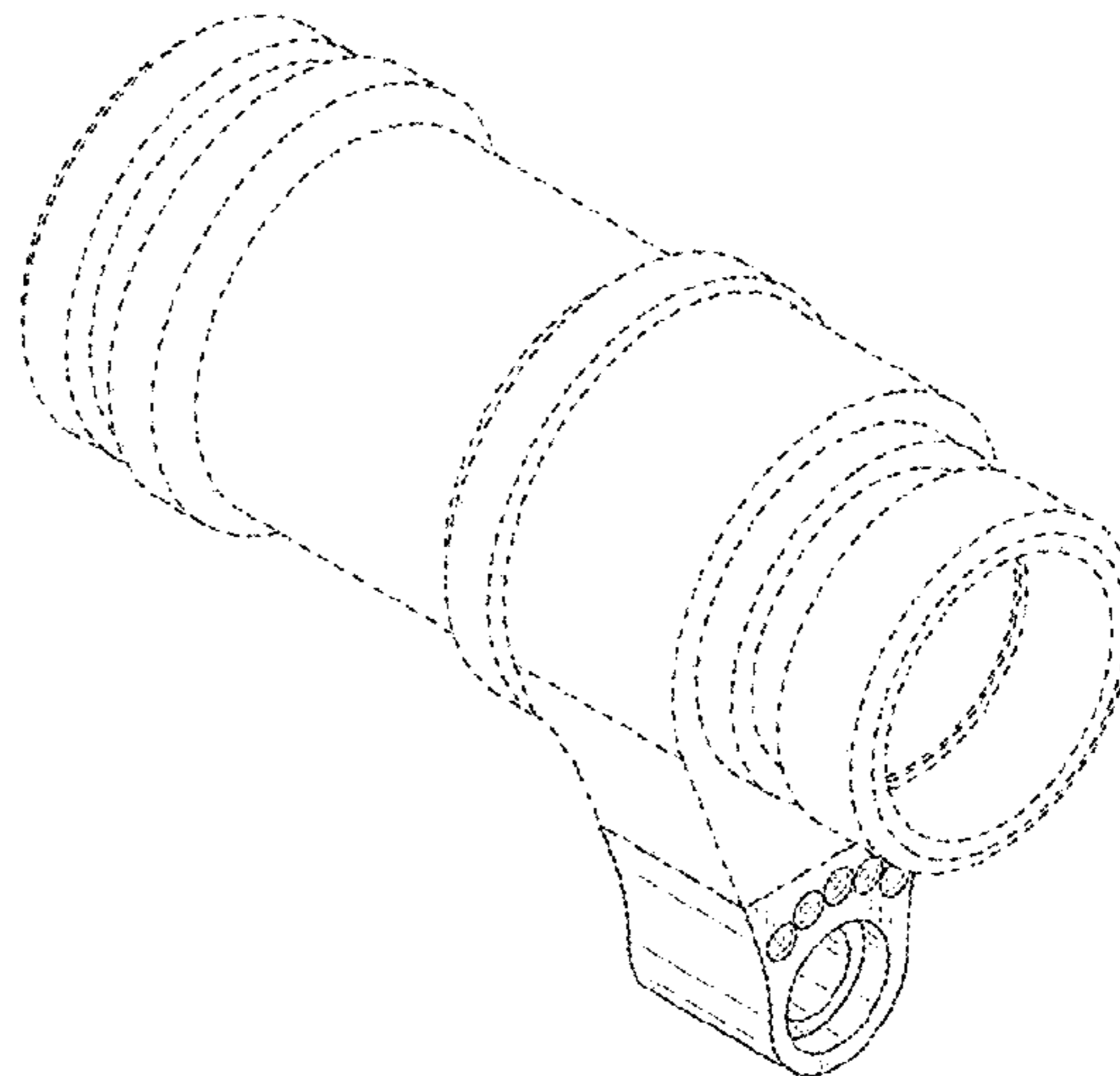
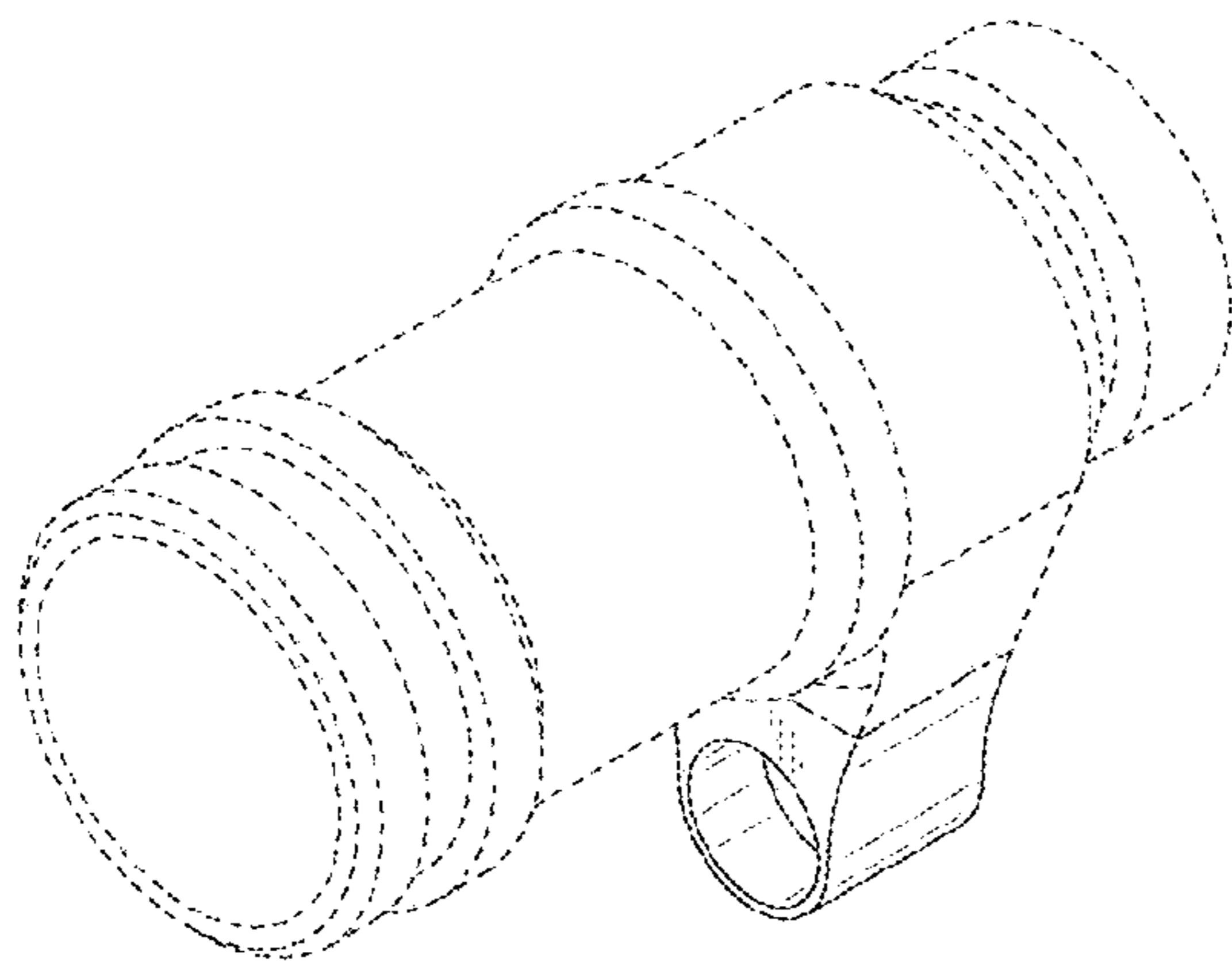
The ornamental design for a rotating light body mount, as
shown and described.

DESCRIPTION

FIG. 1 is a perspective view of the rotating light body mount;
FIG. 2 is another perspective view thereof;
FIG. 3 is another perspective view thereof;
FIG. 4 is another perspective view thereof;
FIG. 5 is another perspective view thereof;
FIG. 6 is a front view thereof;
FIG. 7 is a back view thereof;
FIG. 8 is a top view thereof;
FIG. 9 is a bottom view thereof;
FIG. 10 is a right side view thereof; and,
FIG. 11 is a left side view thereof.

The broken lines immediately adjacent the shaded areas
represent the bounds of the claimed design while all other
broken lines are directed to environment and are for illus-
trative purposes only; the broken lines form no part of the
claimed design.

1 Claim, 11 Drawing Sheets



(56)

References Cited

U.S. PATENT DOCUMENTS

D742,990	S *	11/2015	Huang	D22/108
D746,404	S *	12/2015	Chow	D22/108
D750,191	S *	2/2016	Pittman	D22/108
D752,169	S *	3/2016	Merlino	D22/108
D753,256	S *	4/2016	Azhocar	D22/108
D753,784	S *	4/2016	Montes	D22/108
D760,339	S *	6/2016	Yao	D22/108
D761,896	S *	7/2016	O'Neill	D16/130
D767,218	S *	9/2016	Hickling	A01K 1/04 D30/154
D767,707	S *	9/2016	Huang	D22/108
2006/0162227	A1 *	7/2006	Samson	F41C 27/00 42/148
2008/0209789	A1 *	9/2008	Oz	F41G 1/35 42/90
2014/0075800	A1 *	3/2014	Morris, Jr.	F41A 21/36 42/1.06
2014/0260946	A1 *	9/2014	Gomez	F41A 5/18 89/191.01
2015/0285584	A1 *	10/2015	Mayberry	F41C 23/16 42/71.01
2015/0293430	A1 *	10/2015	O'Neill	G03B 17/565 396/544
2016/0216061	A1 *	7/2016	Cheng	F41C 27/00

* cited by examiner

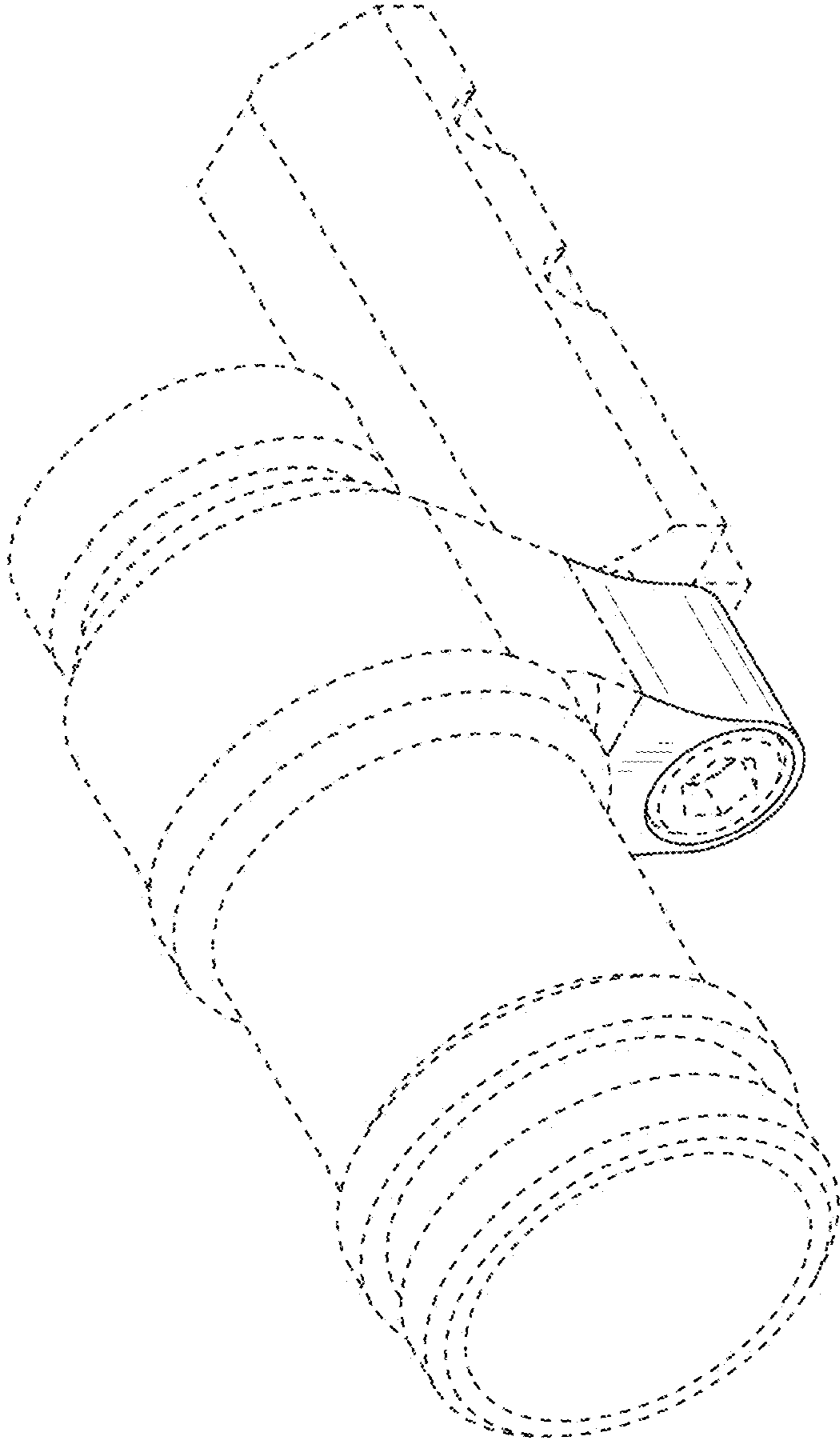


FIG. 1

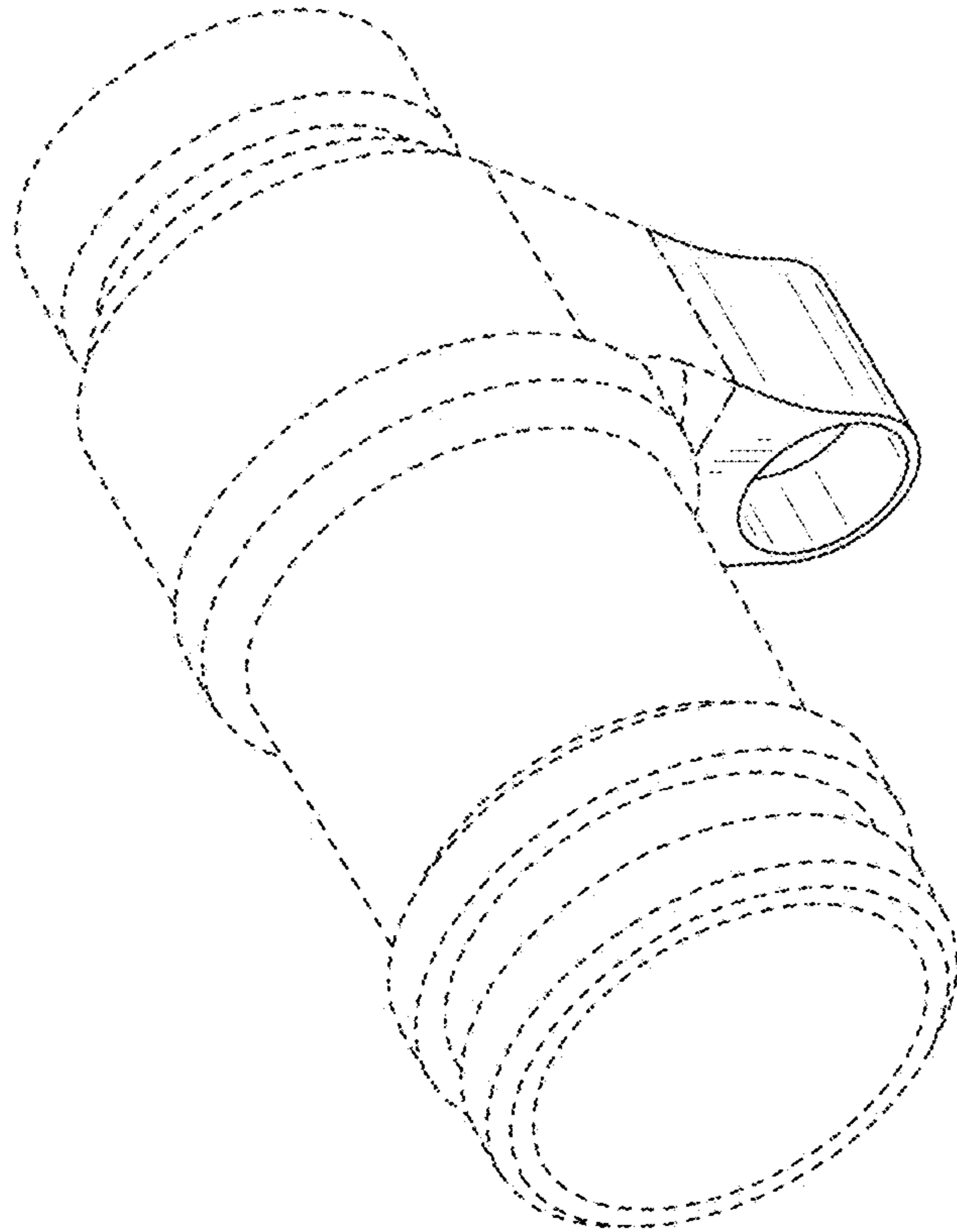
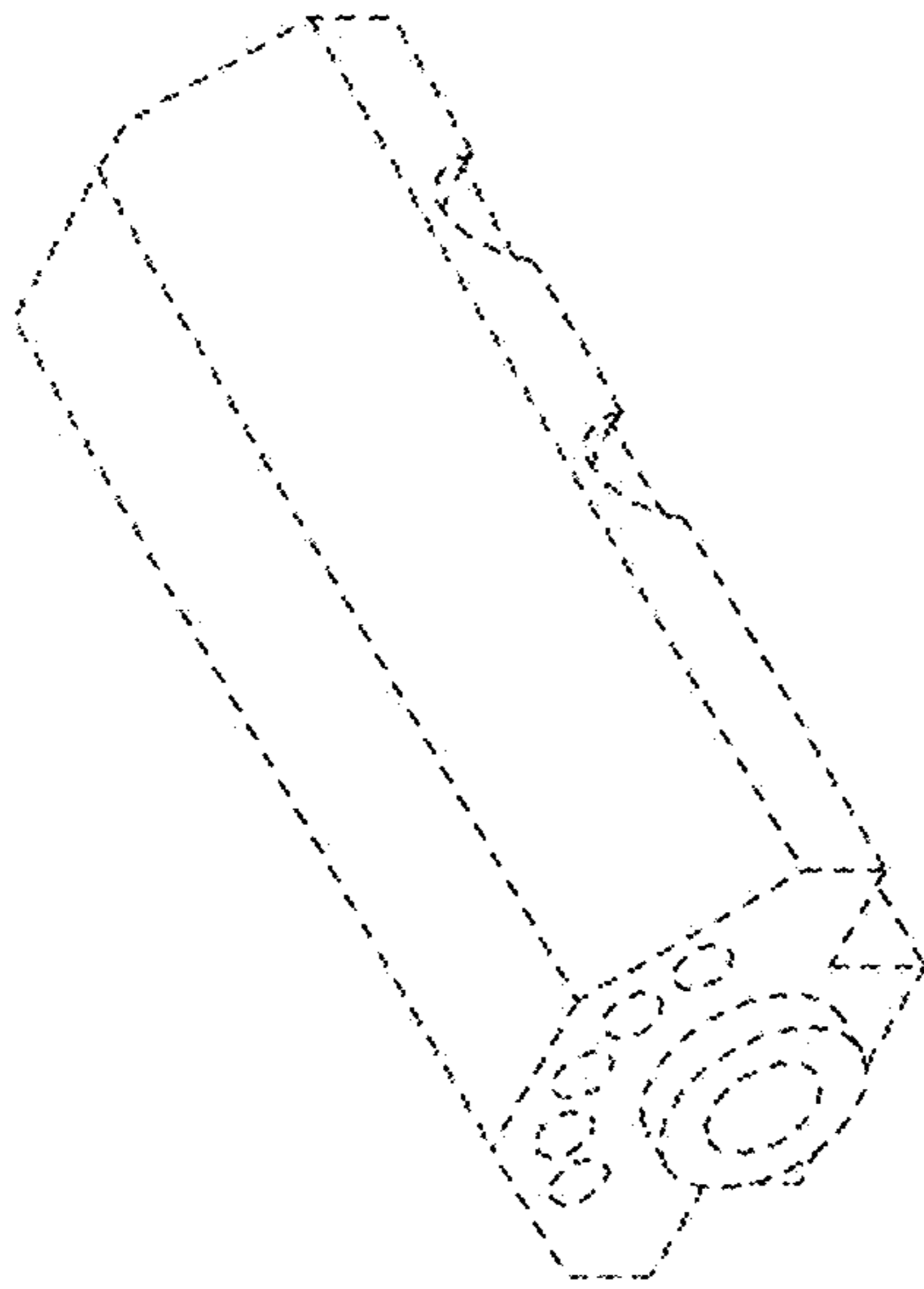
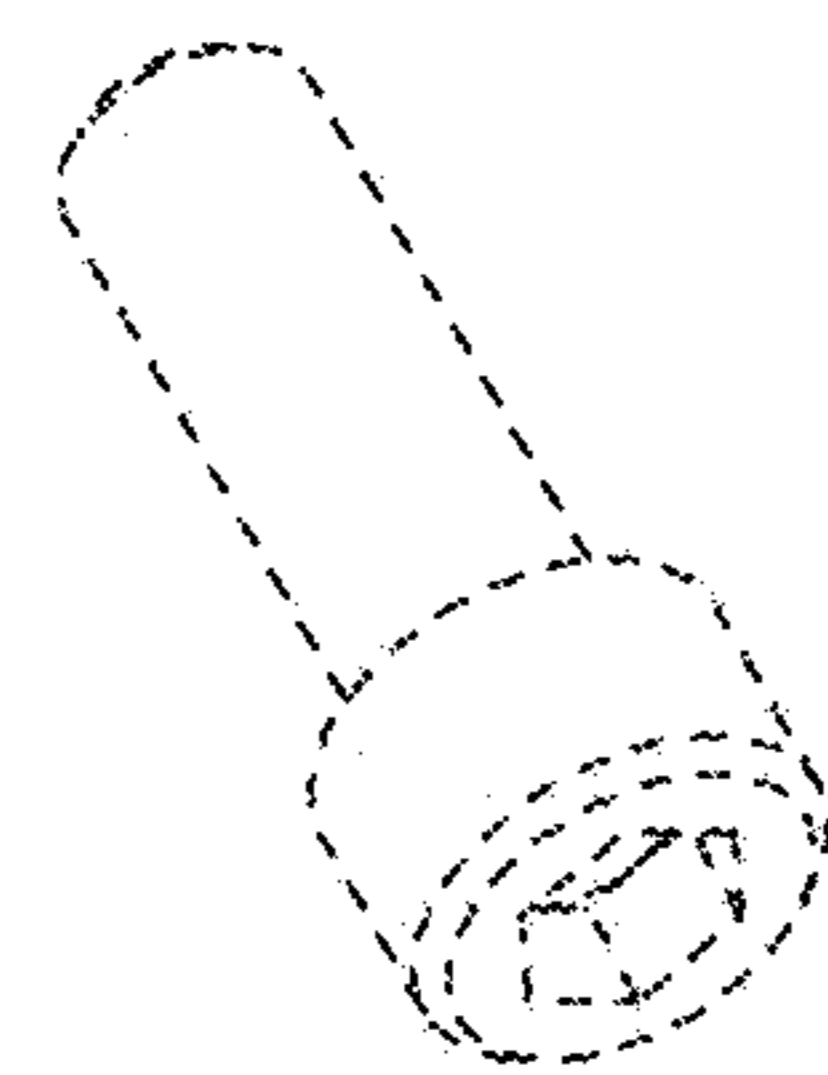


FIG. 2



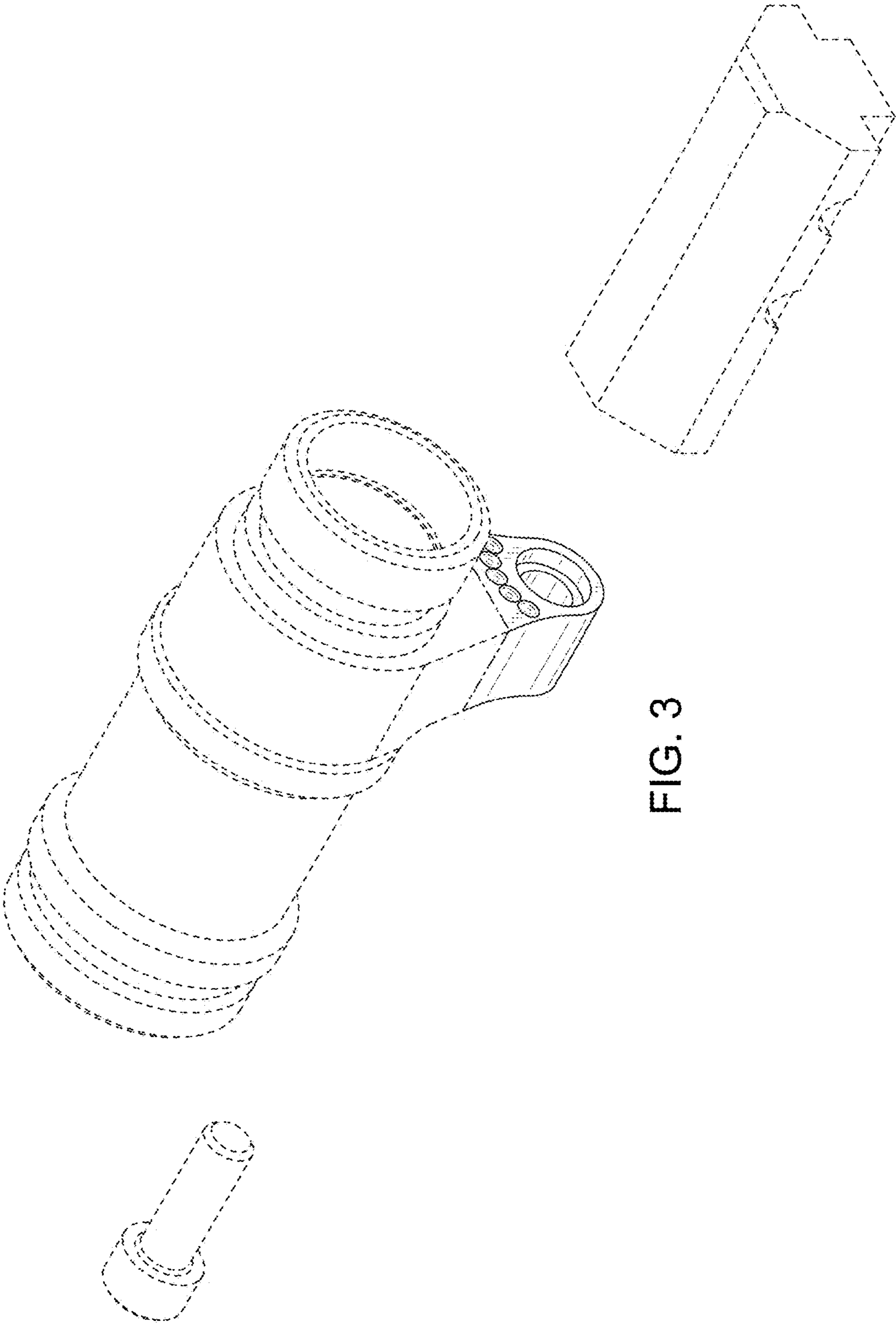


FIG. 3

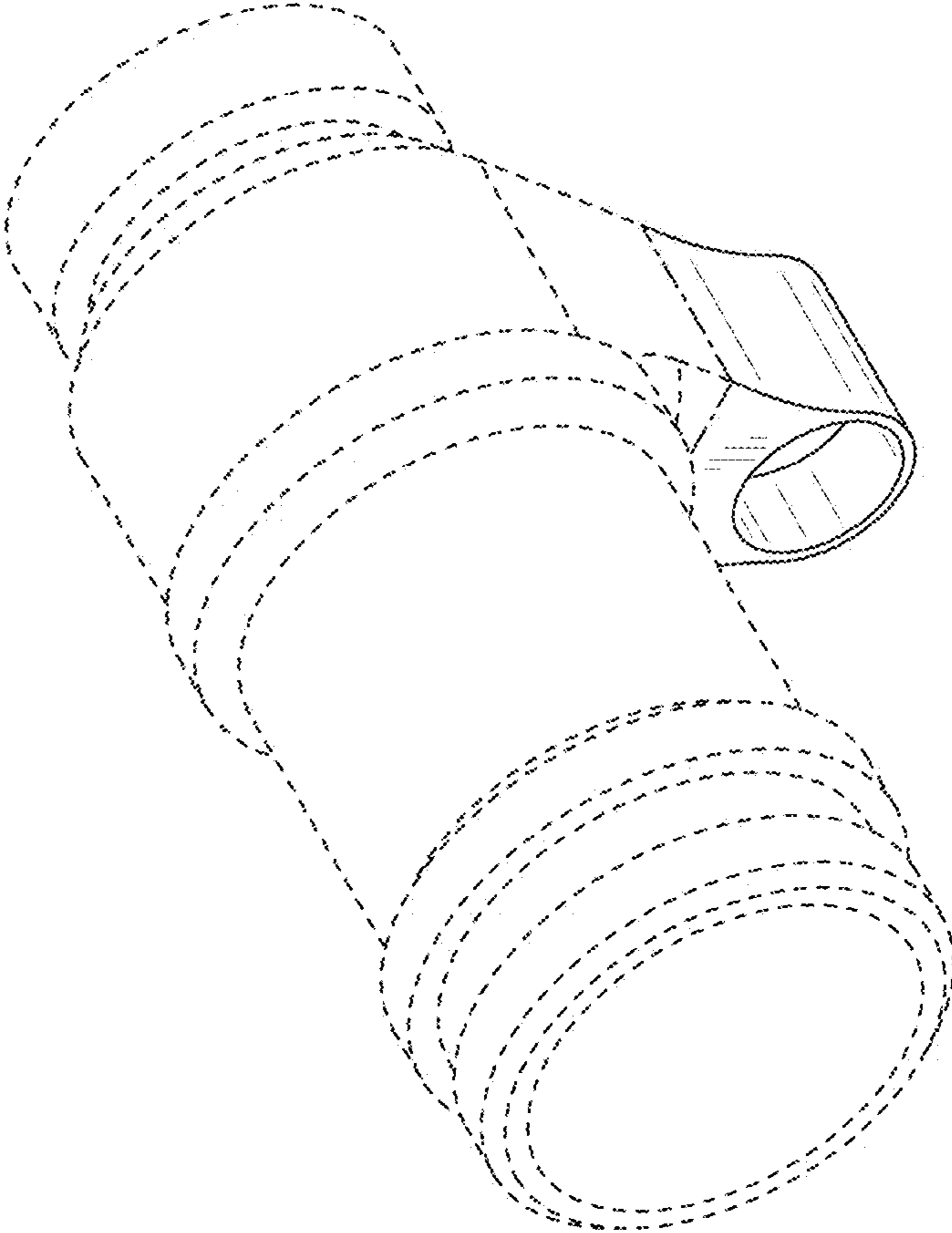


FIG. 4

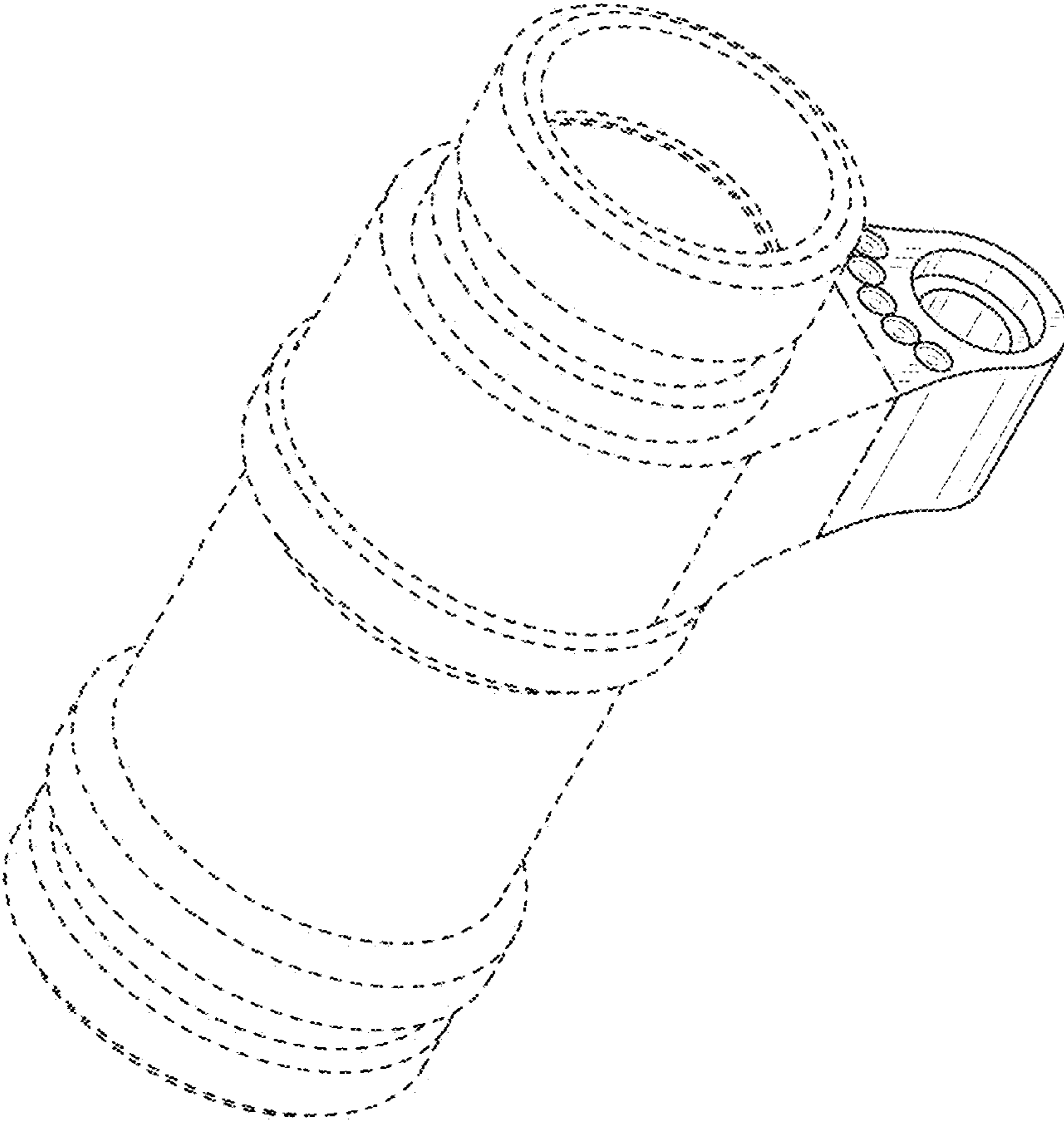


FIG. 5

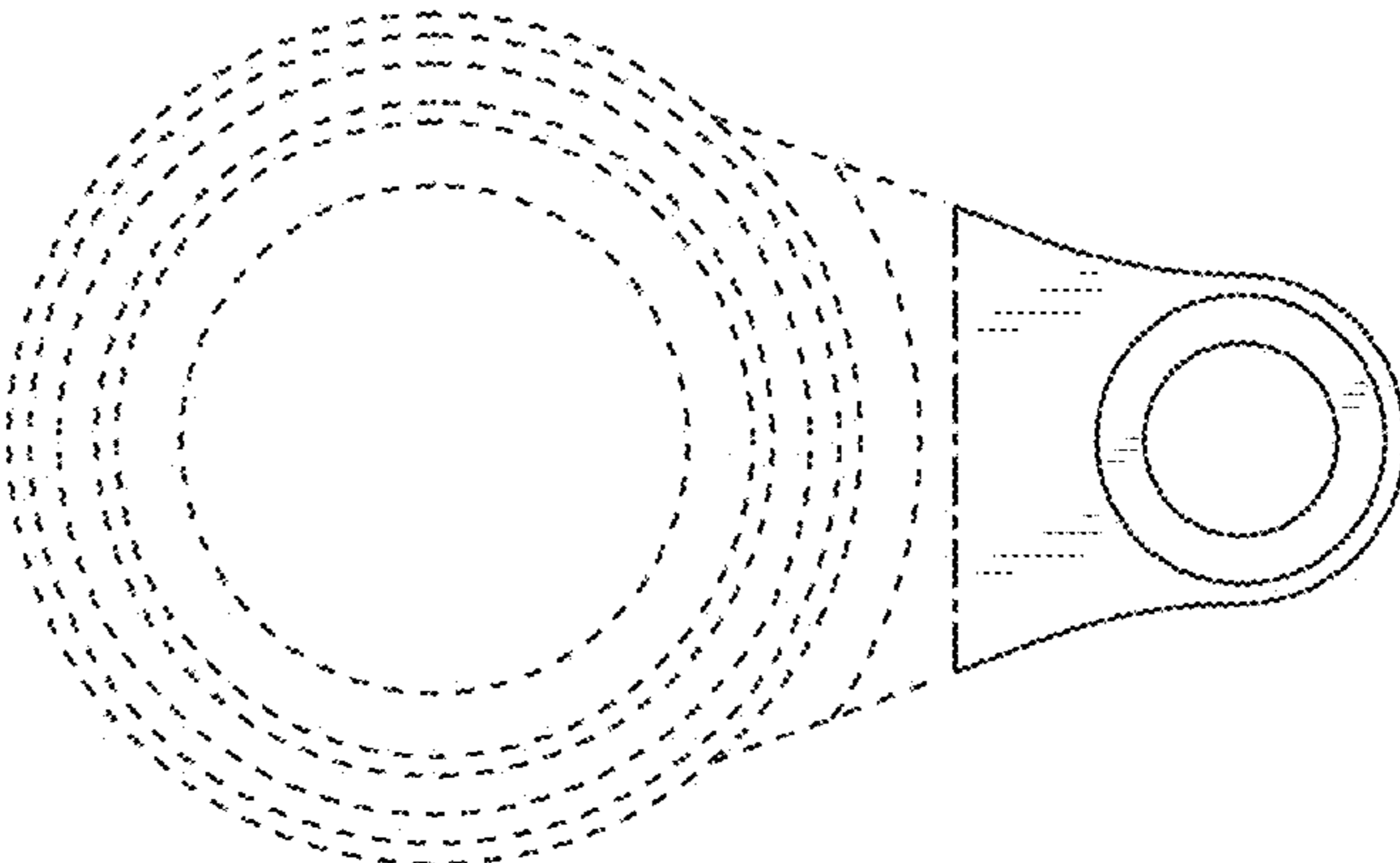


FIG. 6

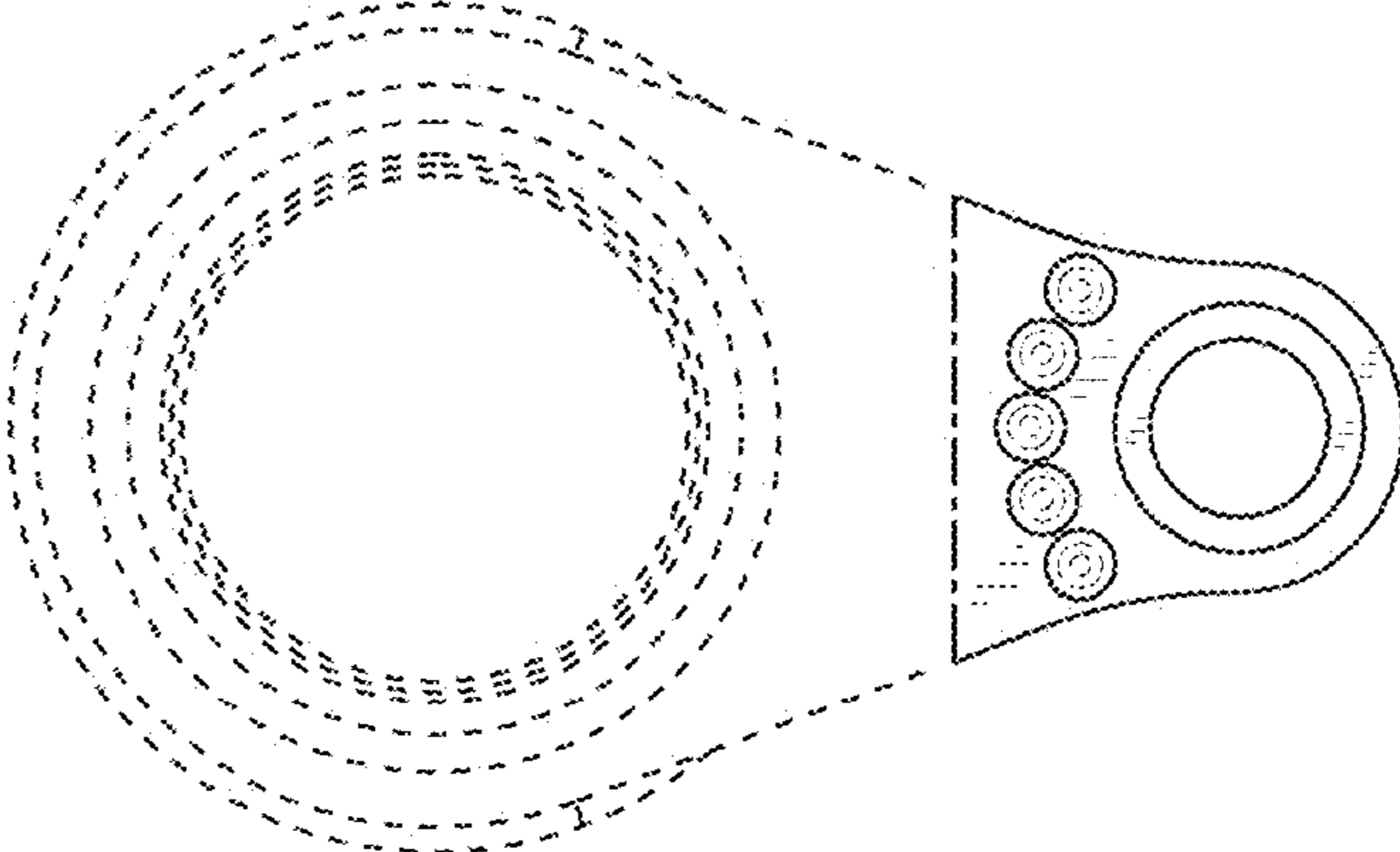


FIG. 7

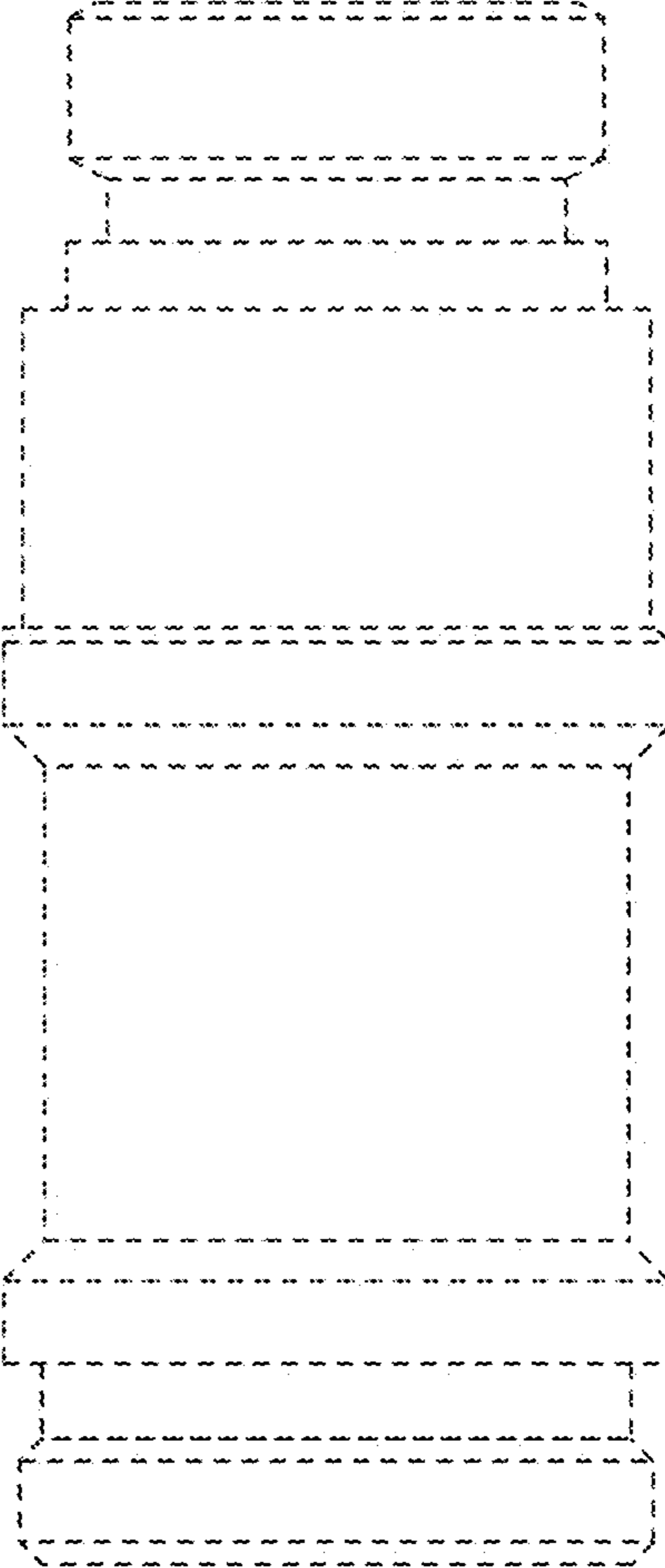


FIG. 8

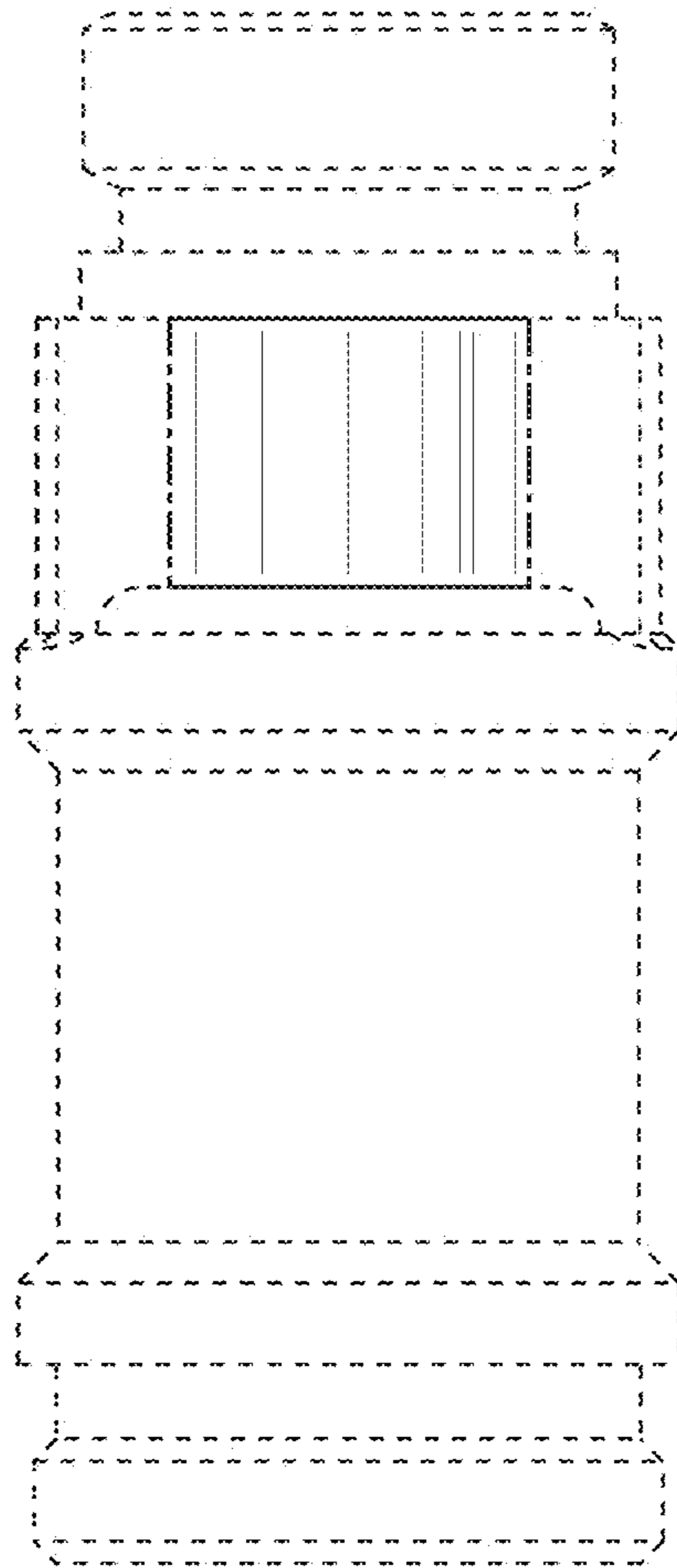


FIG. 9

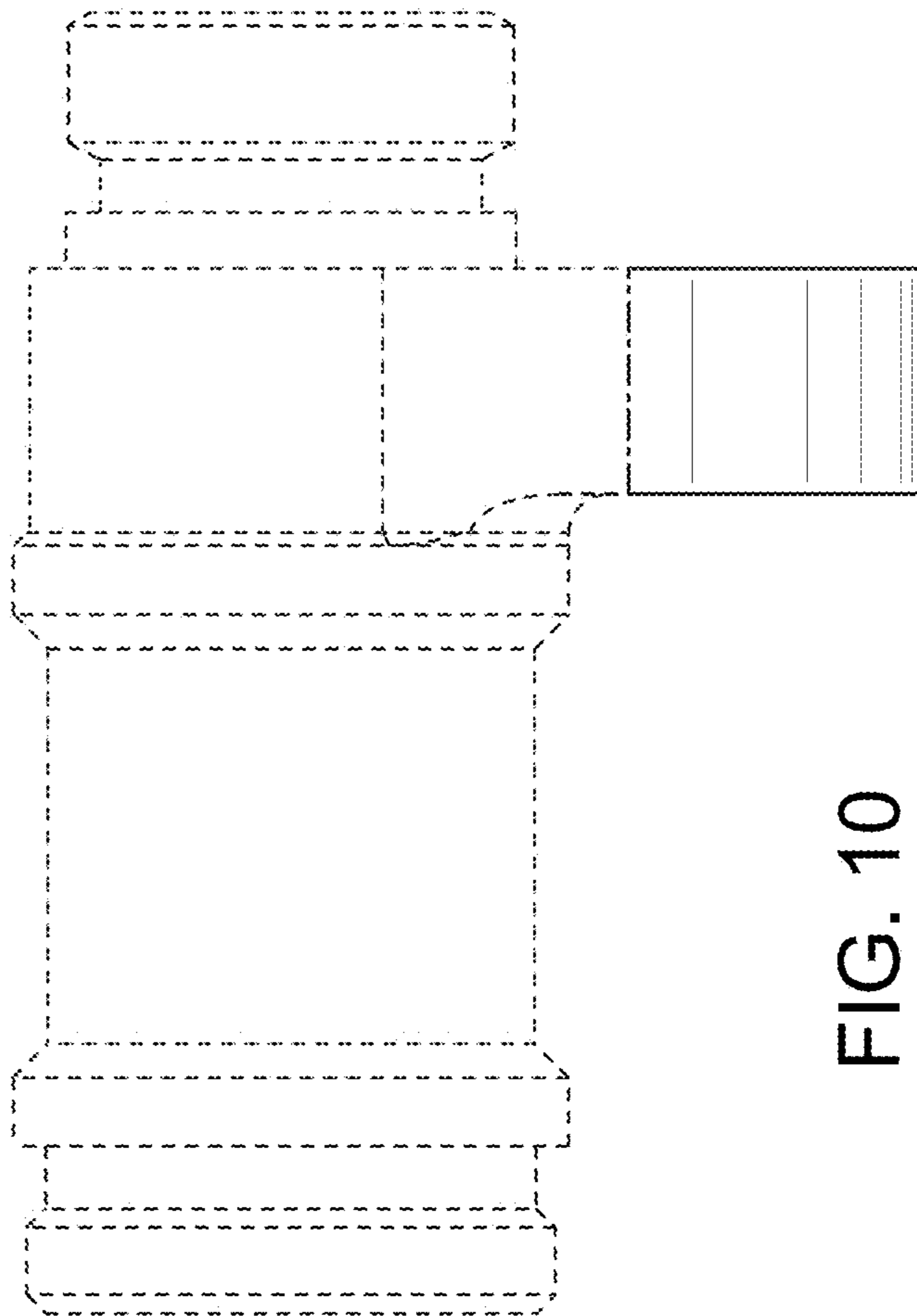


FIG. 10

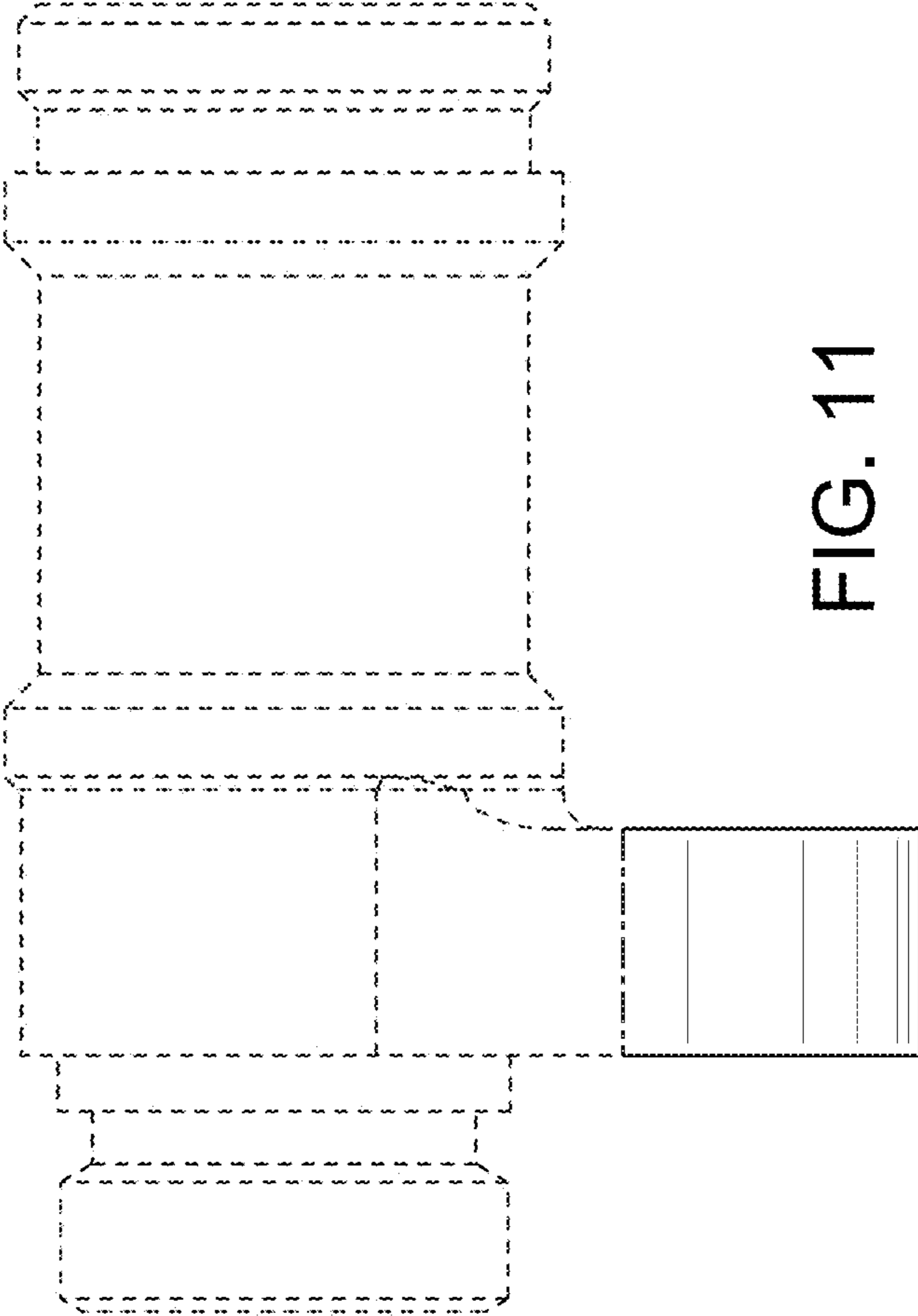


FIG. 11