



US00D781981S

(12) **United States Design Patent**
Wolf

(10) **Patent No.:** **US D781,981 S**

(45) **Date of Patent:** **** Mar. 21, 2017**

(54) **PEEP SIGHT**

(71) Applicant: **Floris Bastiaan Wolf**, Parker, CO (US)

(72) Inventor: **Floris Bastiaan Wolf**, Parker, CO (US)

(**) Term: **15 Years**

(21) Appl. No.: **29/559,170**

(22) Filed: **Mar. 25, 2016**

Related U.S. Application Data

(63) Continuation-in-part of application No. 14/567,151, filed on Dec. 11, 2014.

(51) **LOC (10) Cl.** **22-01**

(52) **U.S. Cl.**
USPC **D22/107**

(58) **Field of Classification Search**
USPC D8/18, 33, 350, 367; D22/107, 199
CPC F41B 5/00; F41B 5/1419
See application file for complete search history.

(56) **References Cited**

U.S. PATENT DOCUMENTS

5,653,217	A	8/1997	Keller	
6,170,164	B1	1/2001	Knowles	
7,040,027	B1	5/2006	Shaffer et al.	
2007/0119060	A1	5/2007	Grace, Jr.	
2009/0223502	A1	9/2009	Bach et al.	
2011/0186028	A1	8/2011	VandeWater	
2012/0137529	A1*	6/2012	Minica	F41G 1/467 33/265
2013/0081292	A1*	4/2013	LoRocco	F41G 1/467 33/265
2015/0338190	A1*	11/2015	Johnson	F41B 5/1419 33/265

OTHER PUBLICATIONS

Bowhunters Superstore, Precision Peeps Peep Sight—Black 5/16in., Publication Date unknown, [site visited Jan. 3, 2017], Available on the Internet URL:<<http://www.bowhunterssuperstore.com/precision-peeps-peep-sight-black-p-1892252.html?osCsid=60bcbefb86c072702b294437bc3614d5>>.*

* cited by examiner

Primary Examiner — Susan Bennett Hattan

Assistant Examiner — S. Bryan Reinholdt, Jr.

(74) *Attorney, Agent, or Firm* — Alvin R. Wirthlin

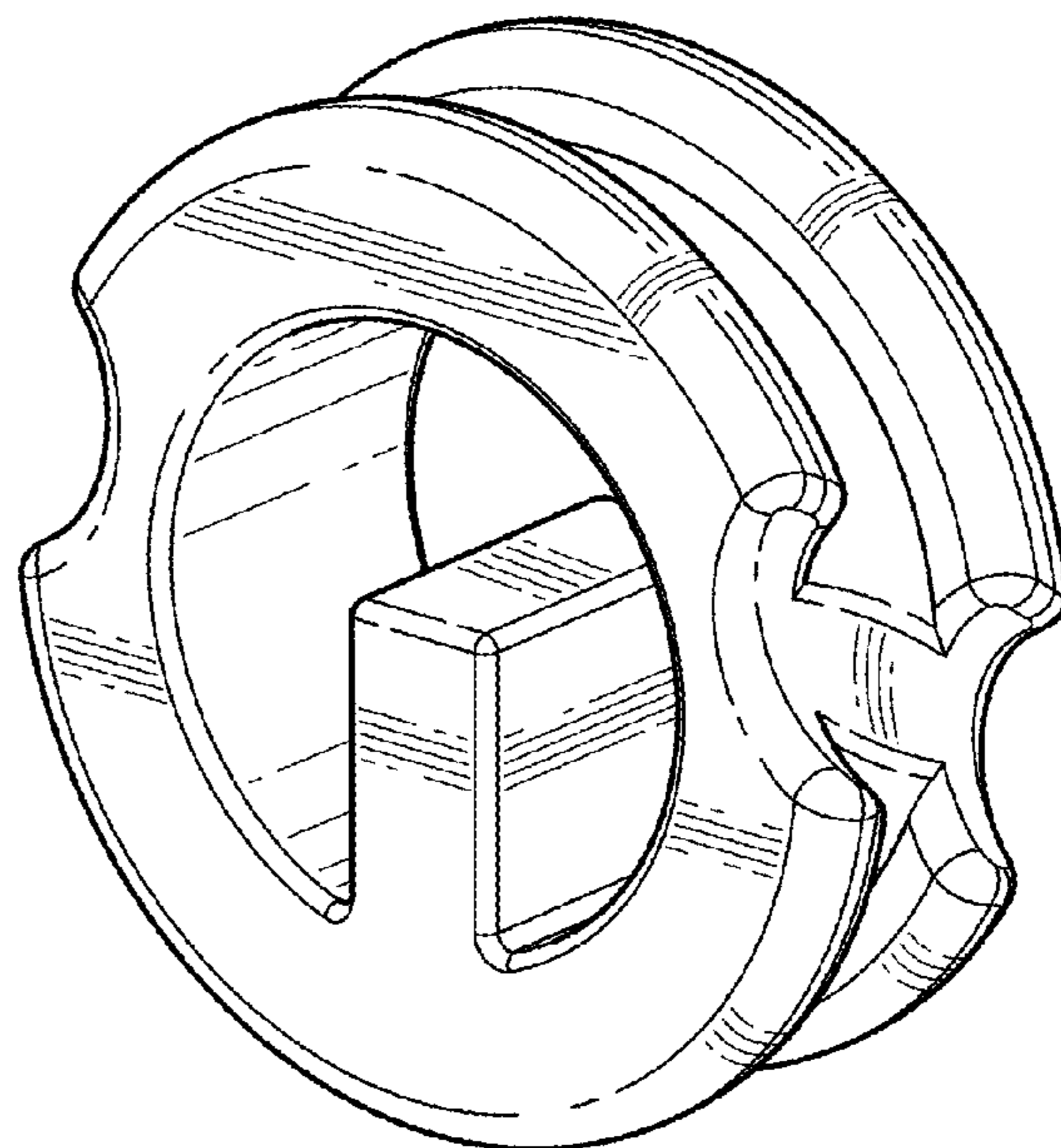
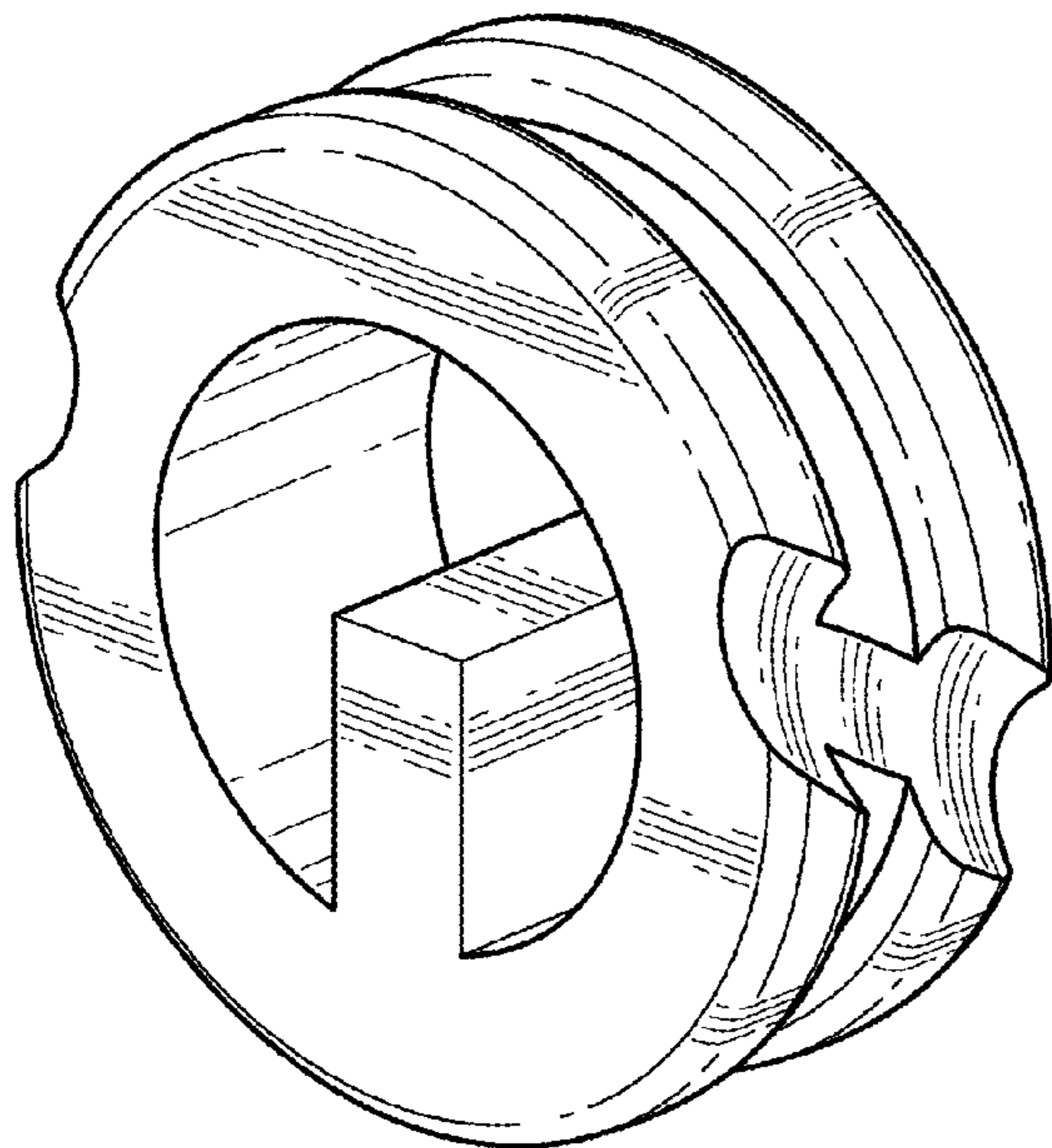
(57) **CLAIM**

The ornamental design for a peep sight, as shown and described.

DESCRIPTION

FIG. 1 is a rear isometric view of my new peep sight design; FIG. 2 is a rear elevational view thereof; FIG. 3 is a front elevational view thereof; FIG. 4 is a left side elevational view thereof; FIG. 5 is a right side elevational view thereof; FIG. 6 is a top plan view thereof, it being understood that the bottom plan view is a mirror image thereof. FIG. 7 is a rear isometric view of my new peep sight design in accordance with a further embodiment of the invention; FIG. 8 is a rear elevational view thereof; FIG. 9 is a front elevational view thereof; FIG. 10 is a left side elevational view thereof; FIG. 11 is a right side elevational view thereof; and, FIG. 12 is a top plan view thereof, it being understood that the bottom plan view is a mirror image thereof.

1 Claim, 4 Drawing Sheets



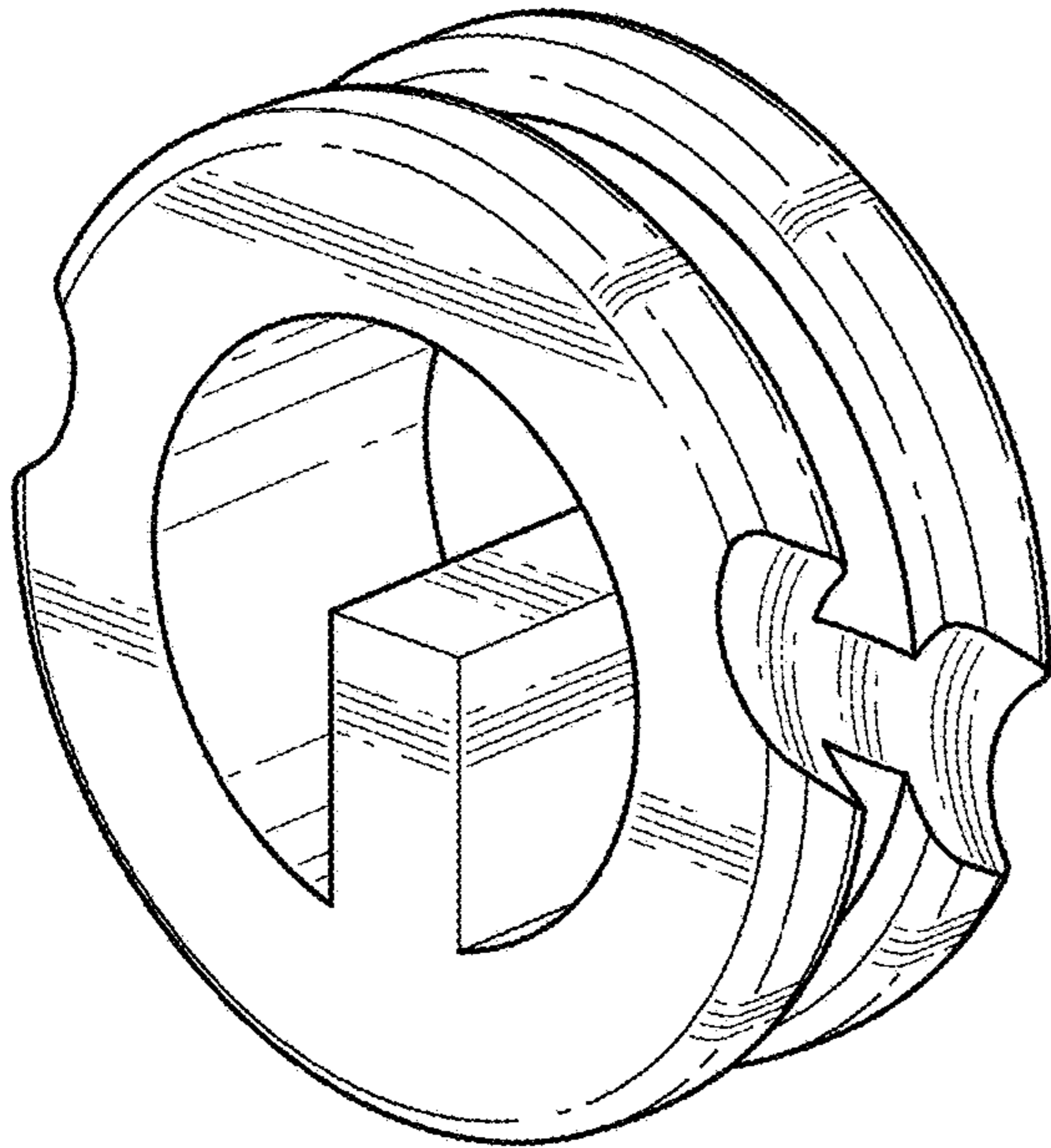


FIG. 1

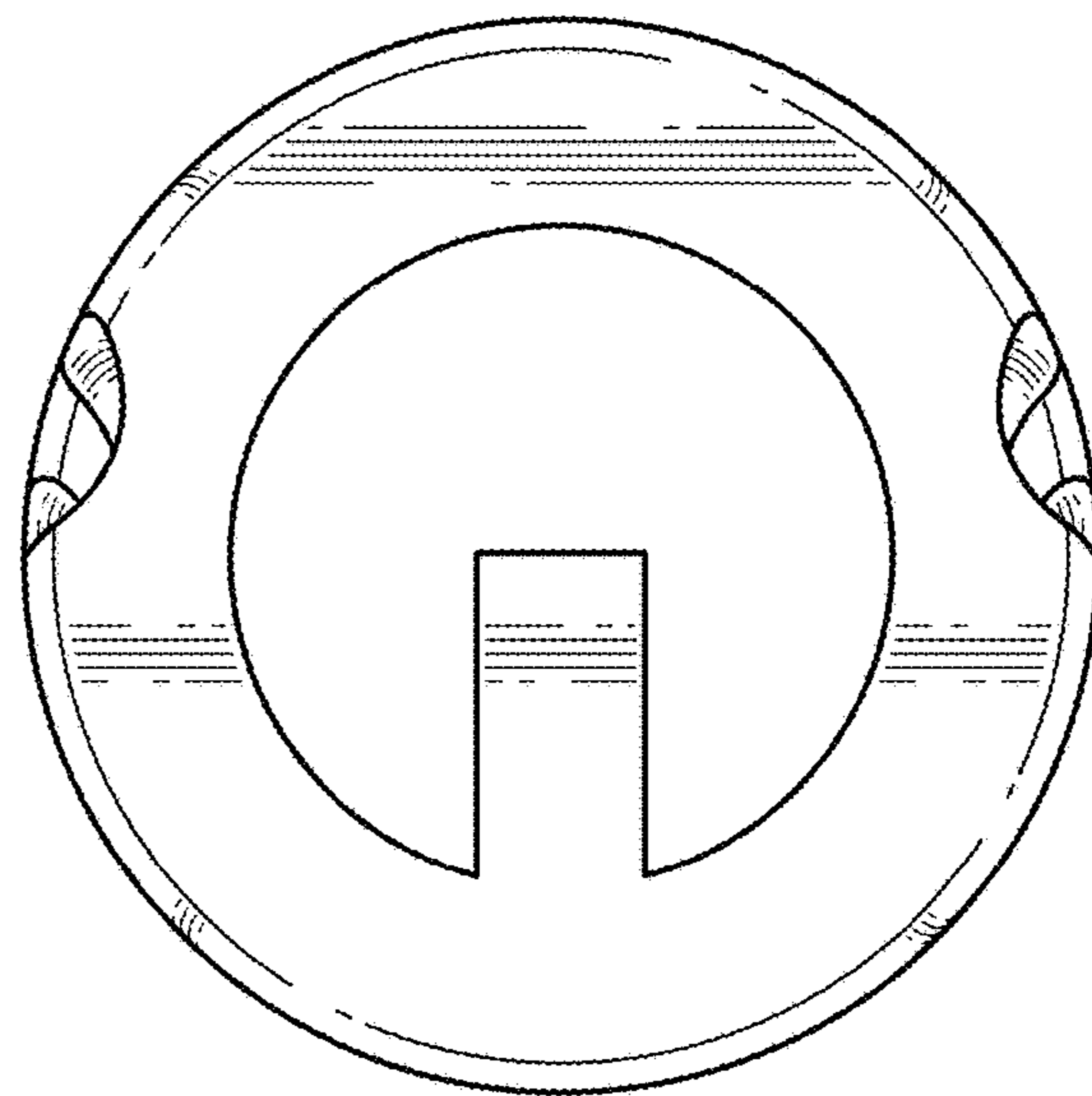


FIG. 2

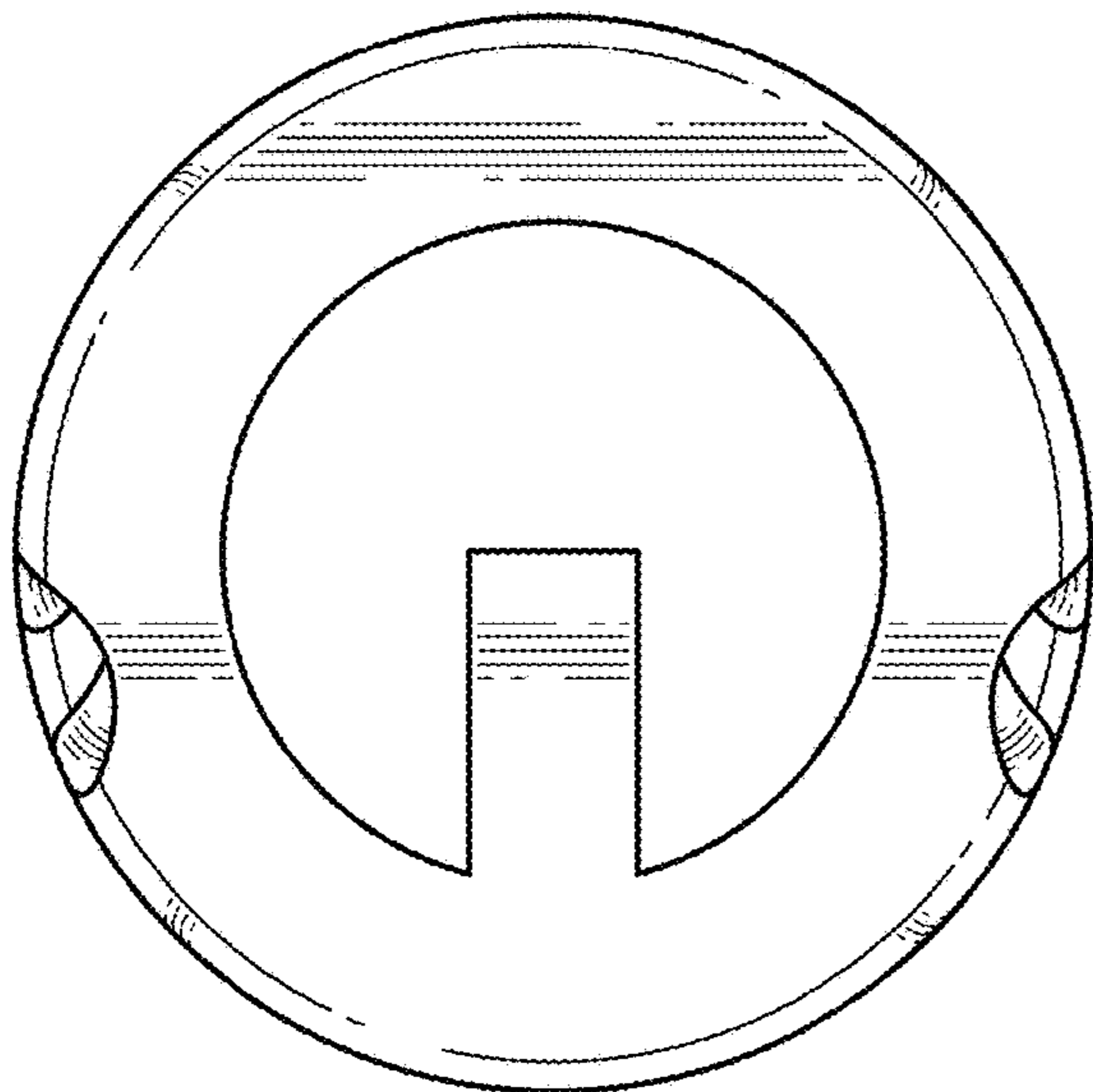


FIG. 3

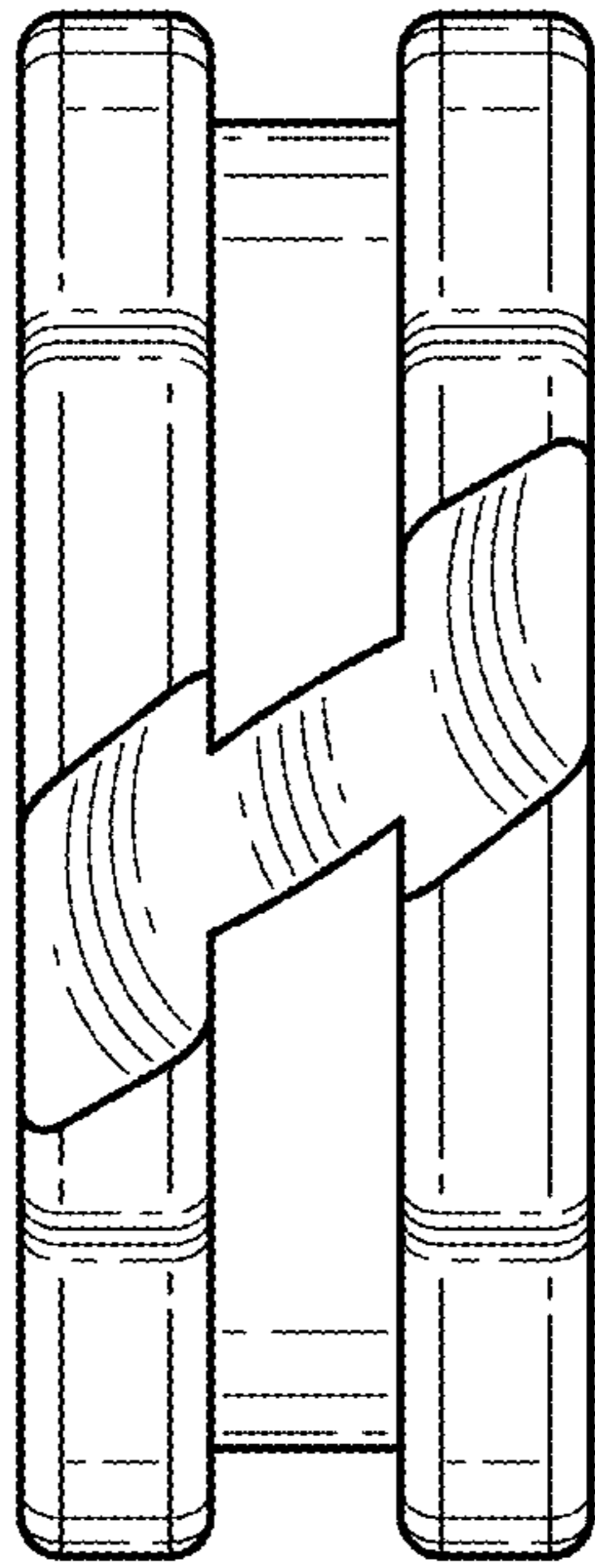


FIG. 4

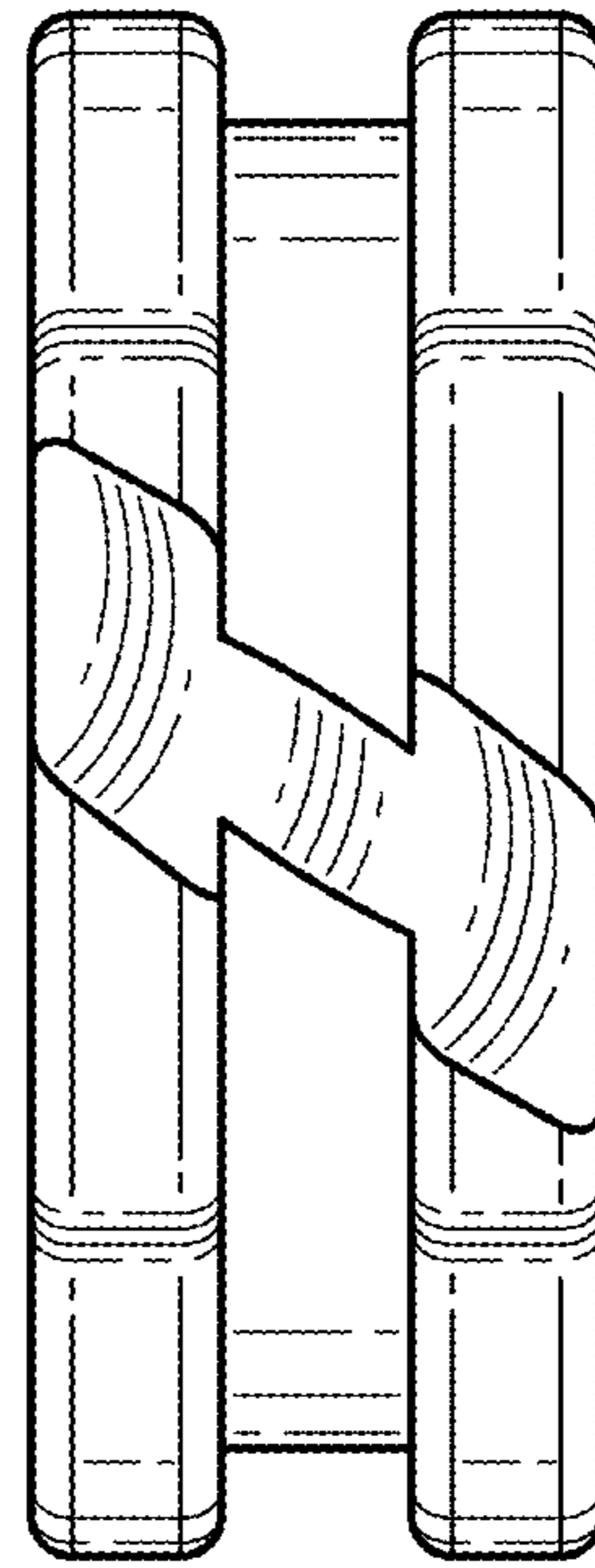


FIG. 5

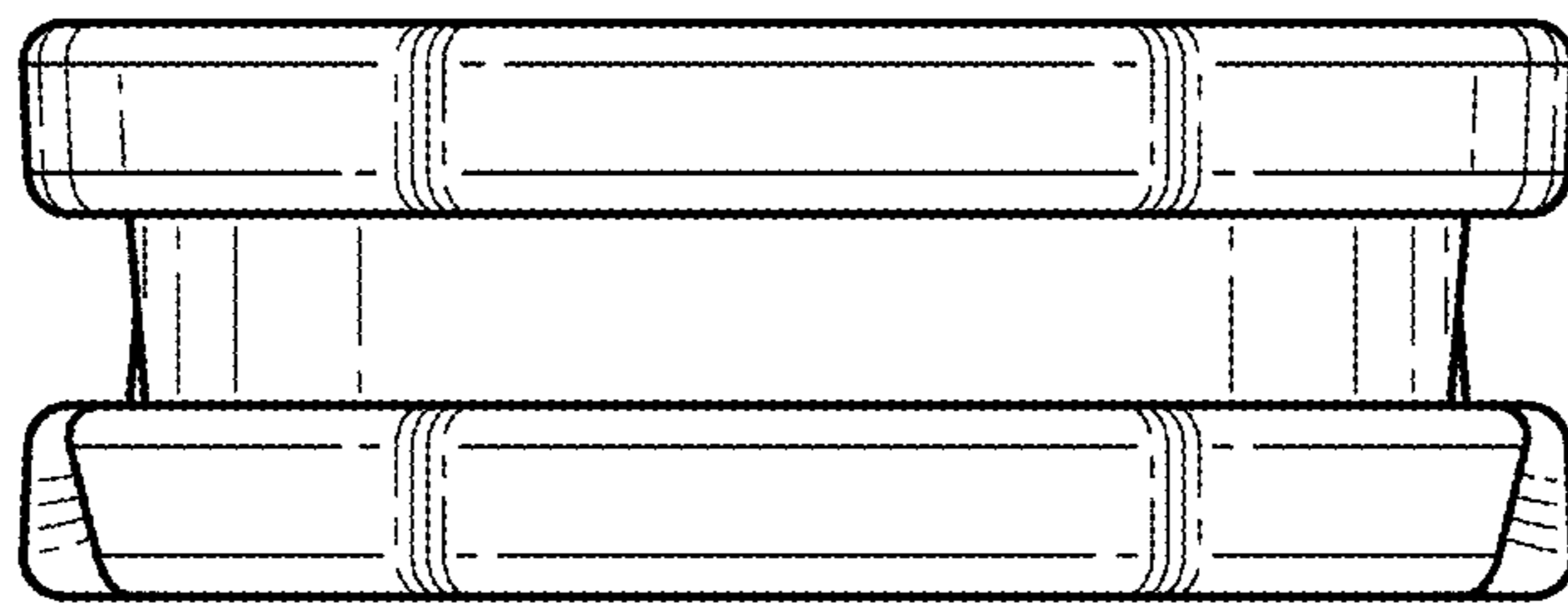


FIG. 6

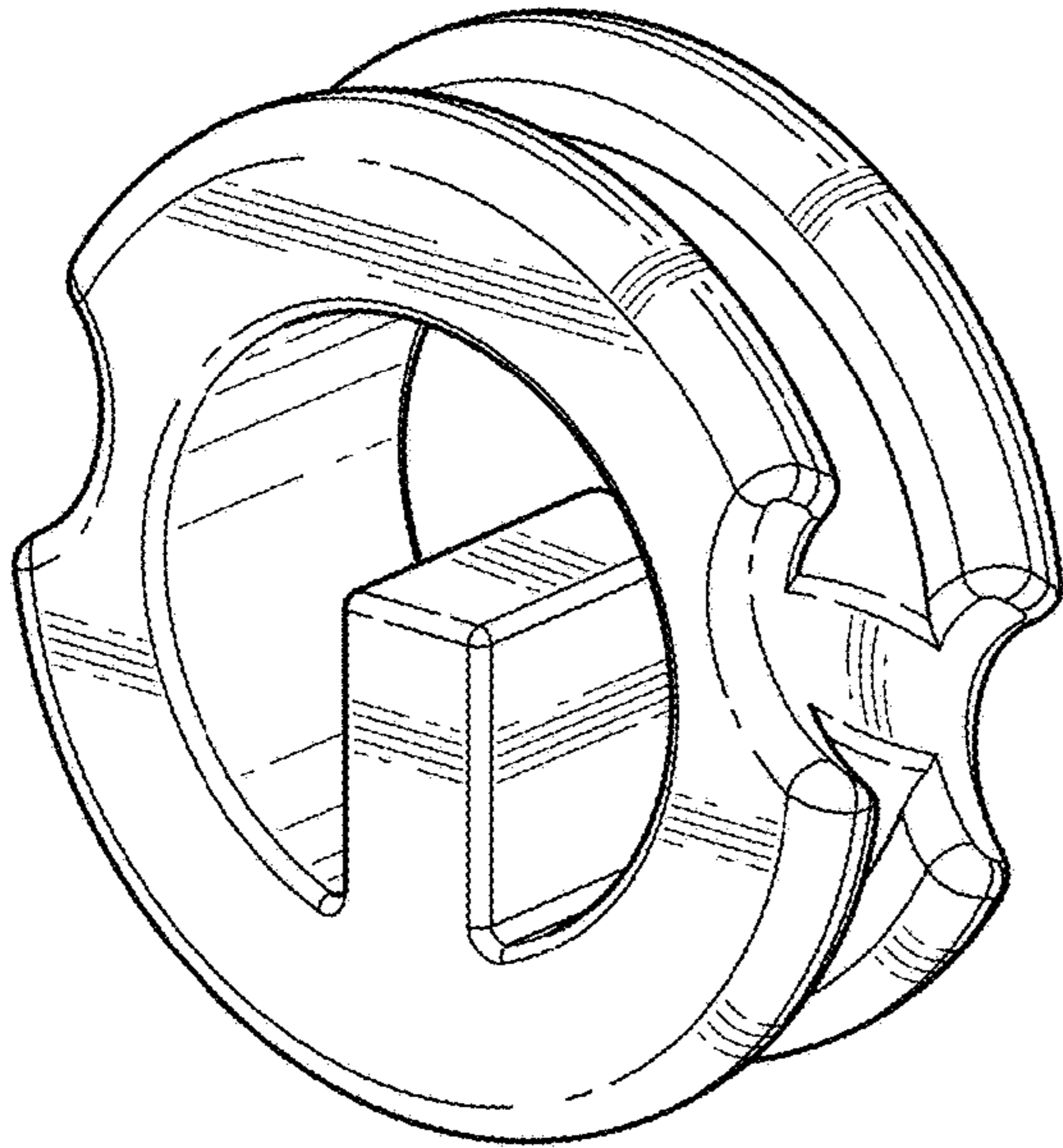


FIG. 7

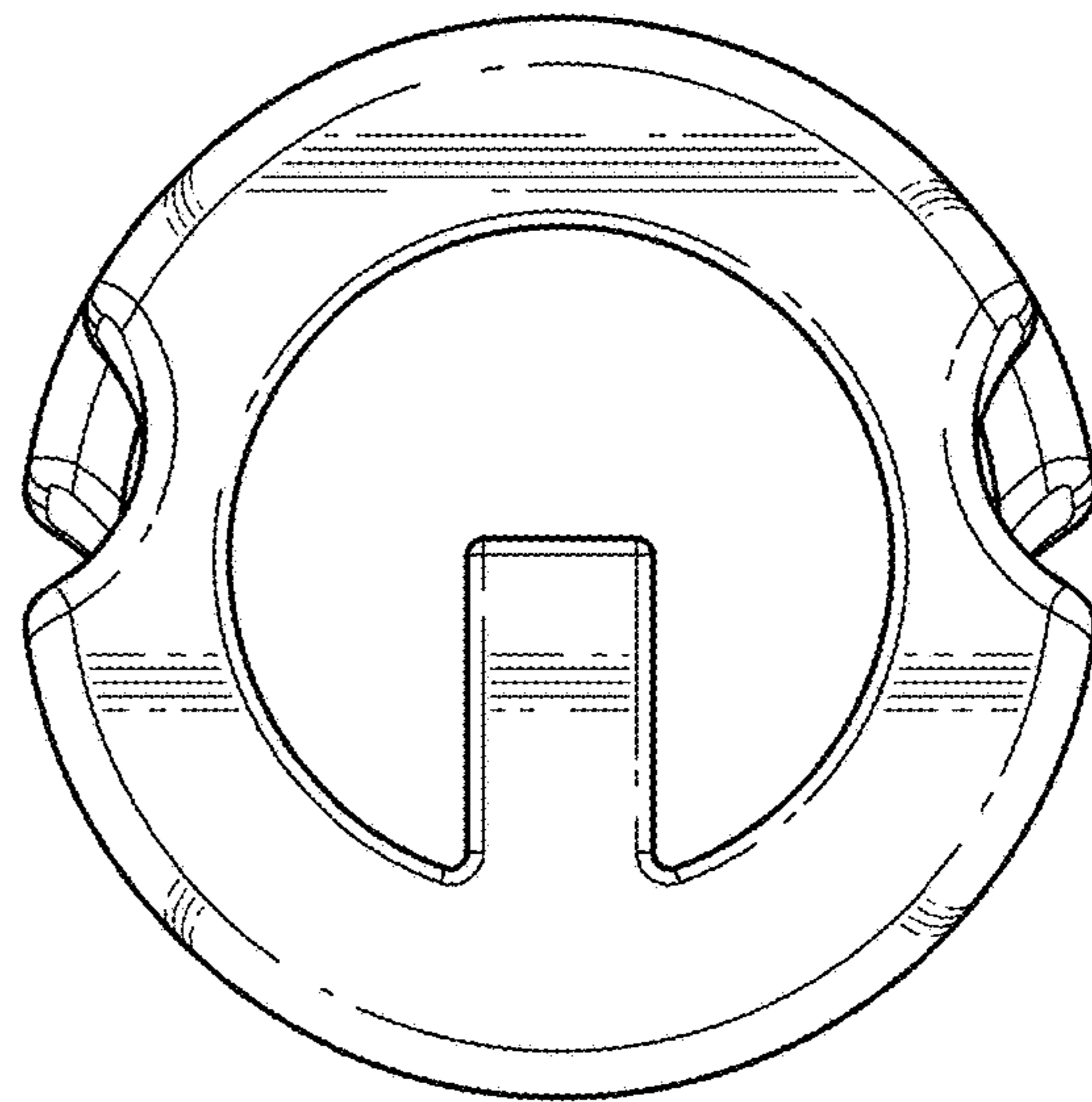


FIG. 8

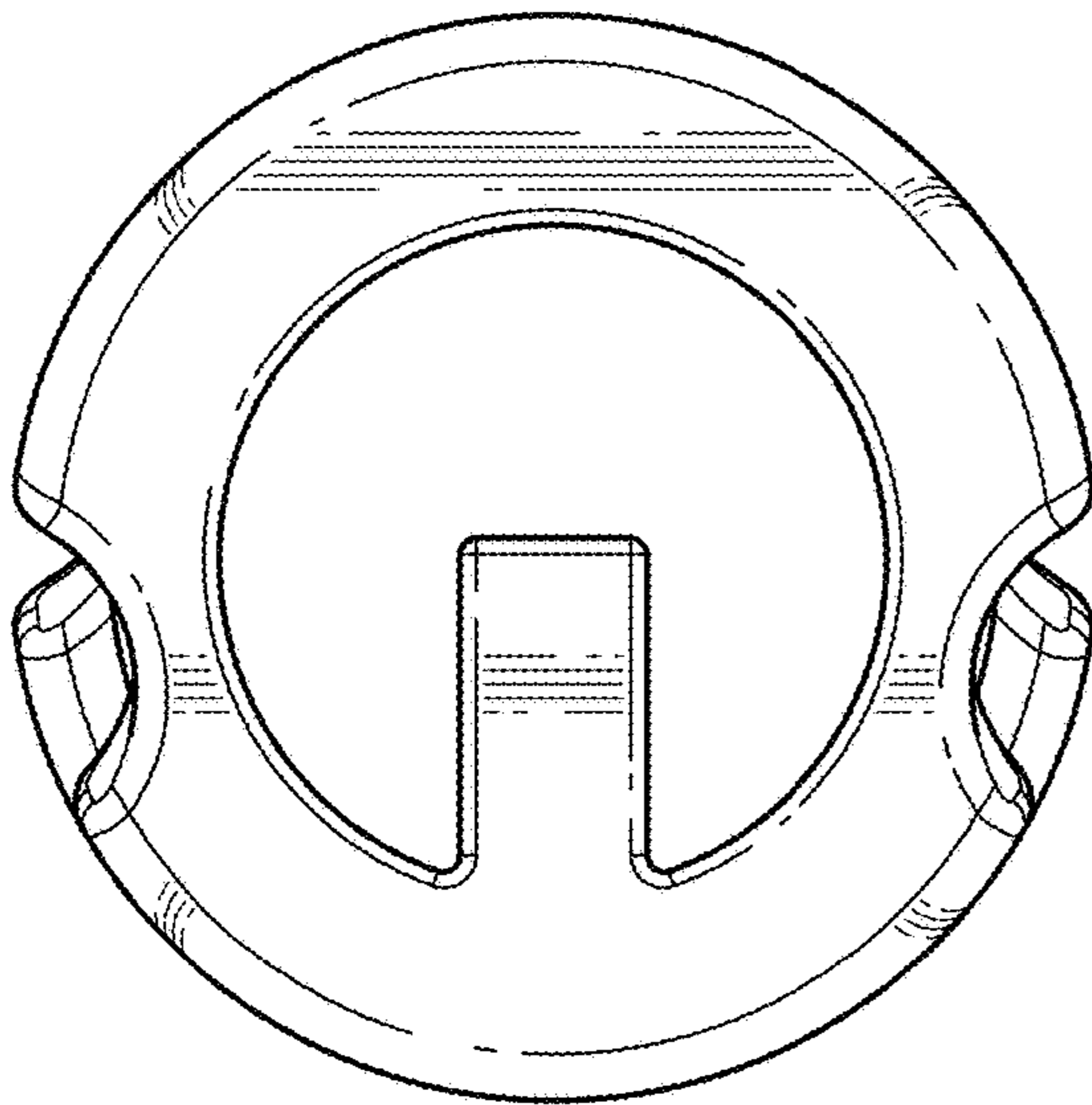


FIG. 9

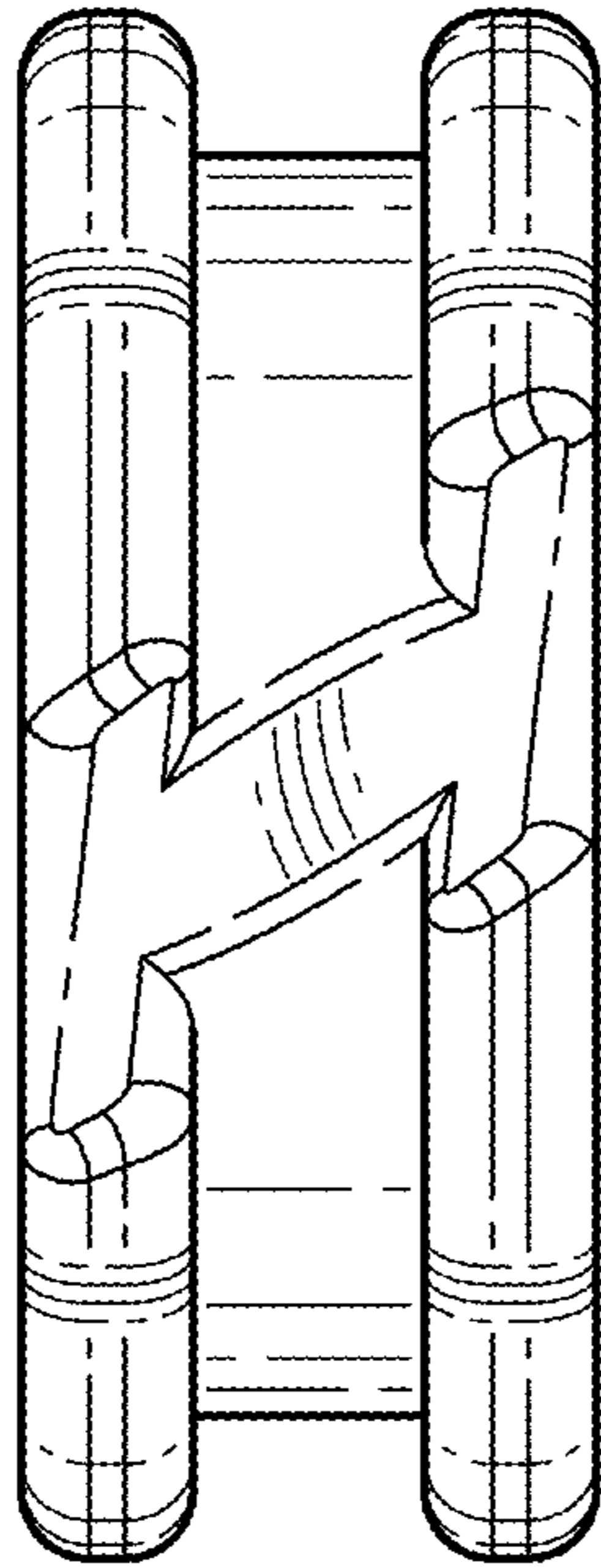


FIG. 10

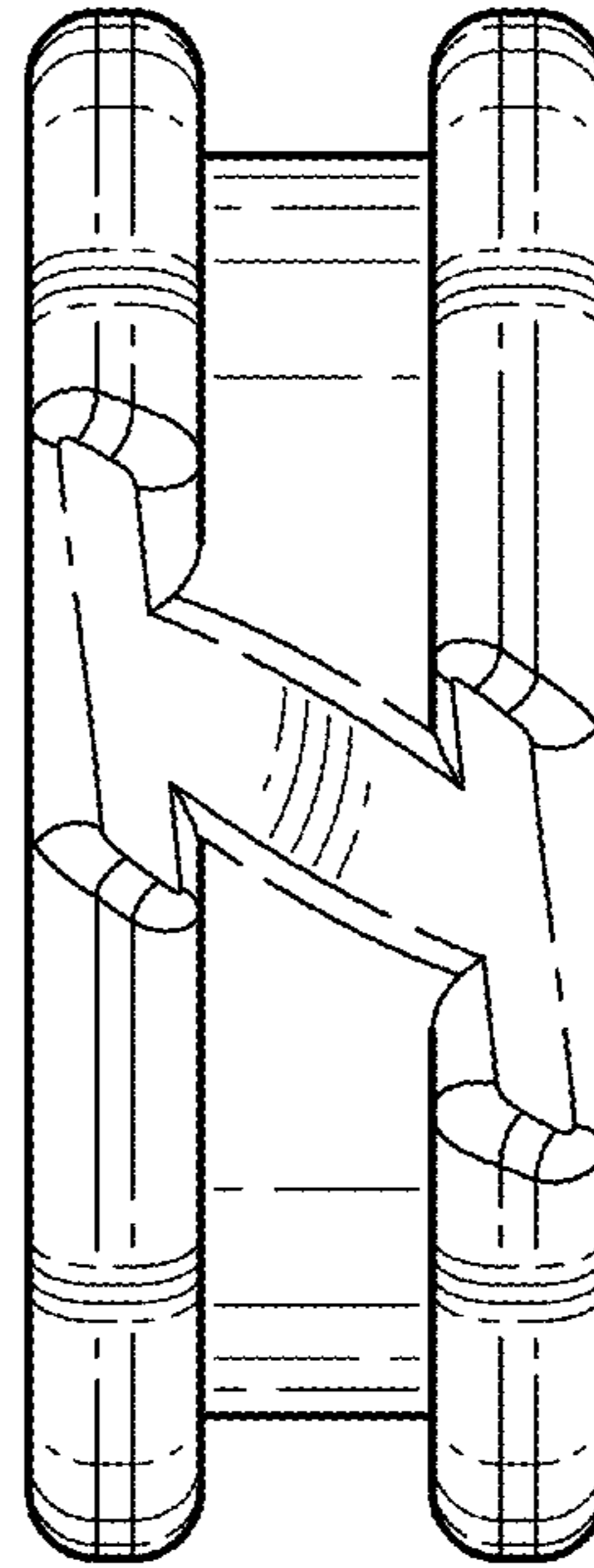


FIG. 11

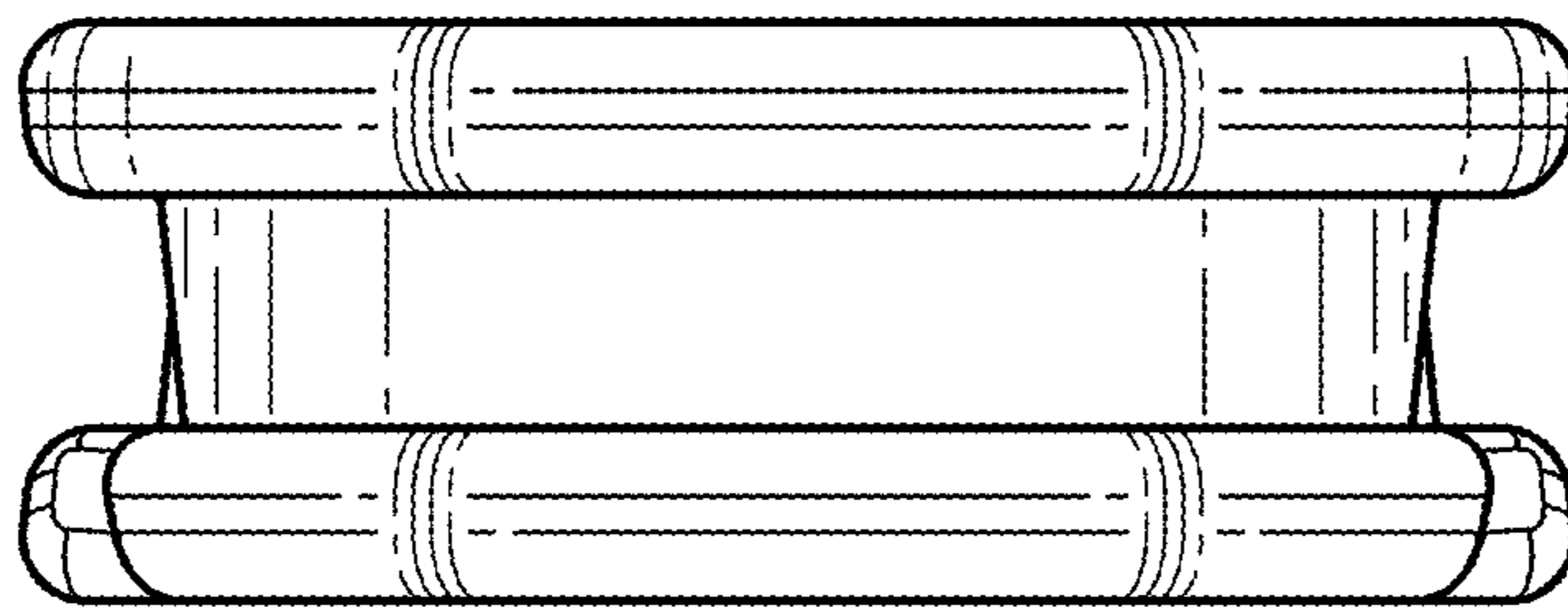


FIG. 12