



US00D781980S

(12) **United States Design Patent** (10) **Patent No.:** **US D781,980 S**
Wallace (45) **Date of Patent:** **** Mar. 21, 2017**

(54) **BROADHEAD ASSEMBLY** 8,398,510 B1 * 3/2013 Mizek F42B 6/08
473/583
(71) Applicant: **James Wallace**, Angleton, TX (US) D743,500 S * 11/2015 Pedersen D22/107
D750,723 S * 3/2016 Rager D22/107
(72) Inventor: **James Wallace**, Angleton, TX (US) 9,329,006 B1 * 5/2016 Hansen F42B 6/08
9,400,160 B1 * 7/2016 Miles F42B 6/08
9,423,504 B1 * 8/2016 Gossett G01S 19/19
(**) Term: **15 Years** 2013/0237350 A1 * 9/2013 Rager F42B 6/08
473/584

(21) Appl. No.: **29/532,567**

(22) Filed: **Jul. 8, 2015**

(51) **LOC (10) Cl.** **22-01**

(52) **U.S. Cl.**
USPC **D22/107**

(58) **Field of Classification Search**
USPC D22/107, 115–116
CPC F42B 6/04; F42B 6/08; F42B 6/003; F42B
6/02; F42B 12/362

See application file for complete search history.

(56) **References Cited**

U.S. PATENT DOCUMENTS

D342,303 S * 12/1993 Johnson D22/115
6,663,518 B1 * 12/2003 Kuhn F42B 6/08
473/583
6,887,172 B2 * 5/2005 Arasmith F42B 6/08
473/583
6,966,856 B1 * 11/2005 Hajek F42B 6/08
473/583
7,311,622 B1 * 12/2007 Futtere F42B 6/08
473/583
8,043,178 B2 * 10/2011 Sames F42B 6/08
473/583
D663,004 S * 7/2012 Isringhausen D22/107

* cited by examiner

Primary Examiner — Michael A Pratt

(74) *Attorney, Agent, or Firm* — Law Office of Jeff
Williams; J. Oliver Williams

(57) **CLAIM**

The ornamental design for a broadhead assembly, as shown.

DESCRIPTION

FIG. 1 is a perspective view of a broadhead assembly according to the present application.

FIG. 2 is a front view of the broadhead assembly of FIG. 1.

FIG. 3 is a back view of the broadhead assembly of FIG. 1.

FIG. 4 is a left view of the broadhead assembly of FIG. 1.

FIG. 5 is a right view of the broadhead assembly of FIG. 1.

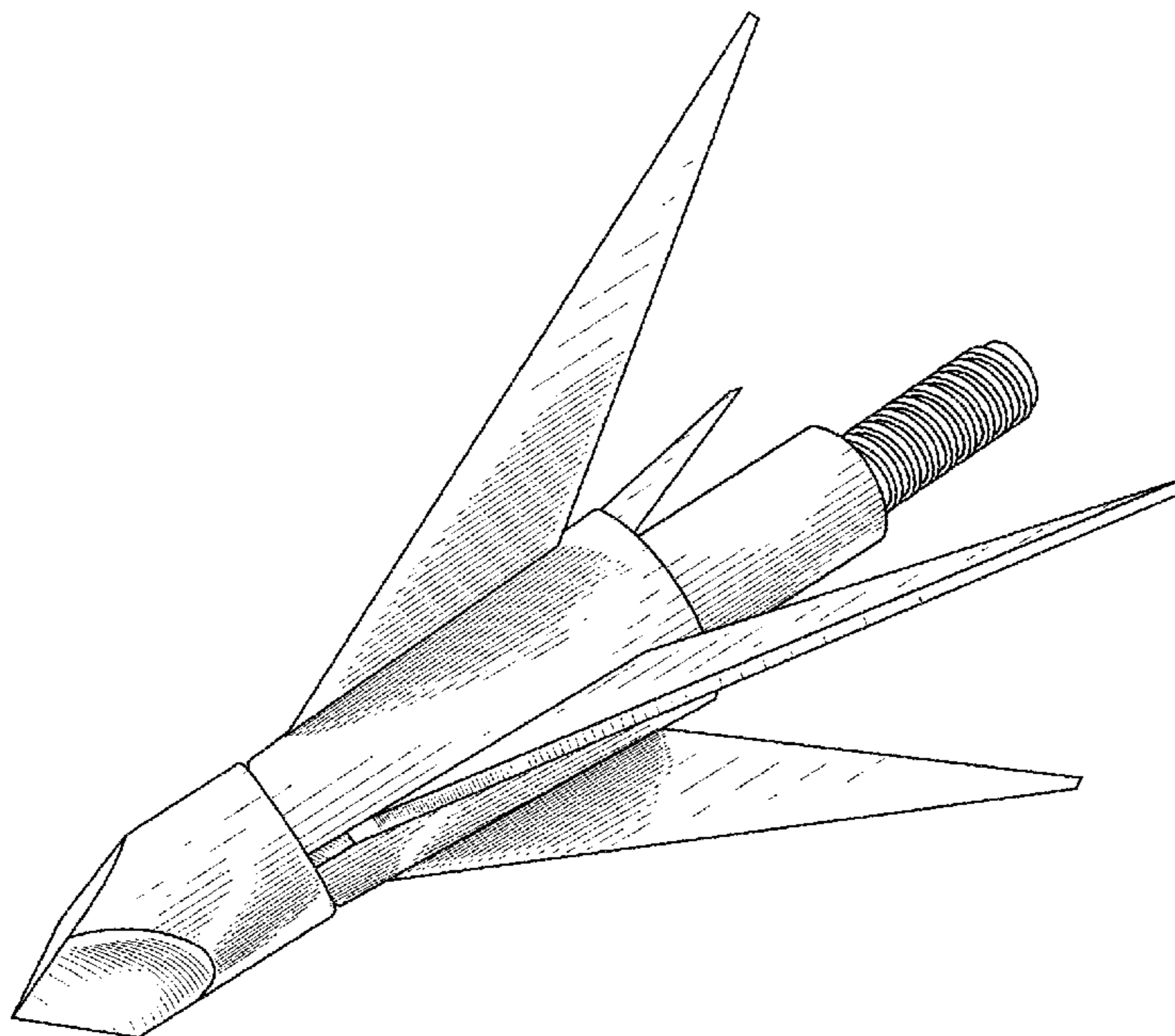
FIG. 6 is a top view of the broadhead assembly of FIG. 1.

FIG. 7 is a bottom view of the broadhead assembly of FIG. 1;

and,

FIG. 8 is a disassembled view of the broadhead assembly of FIG. 1.

1 Claim, 5 Drawing Sheets



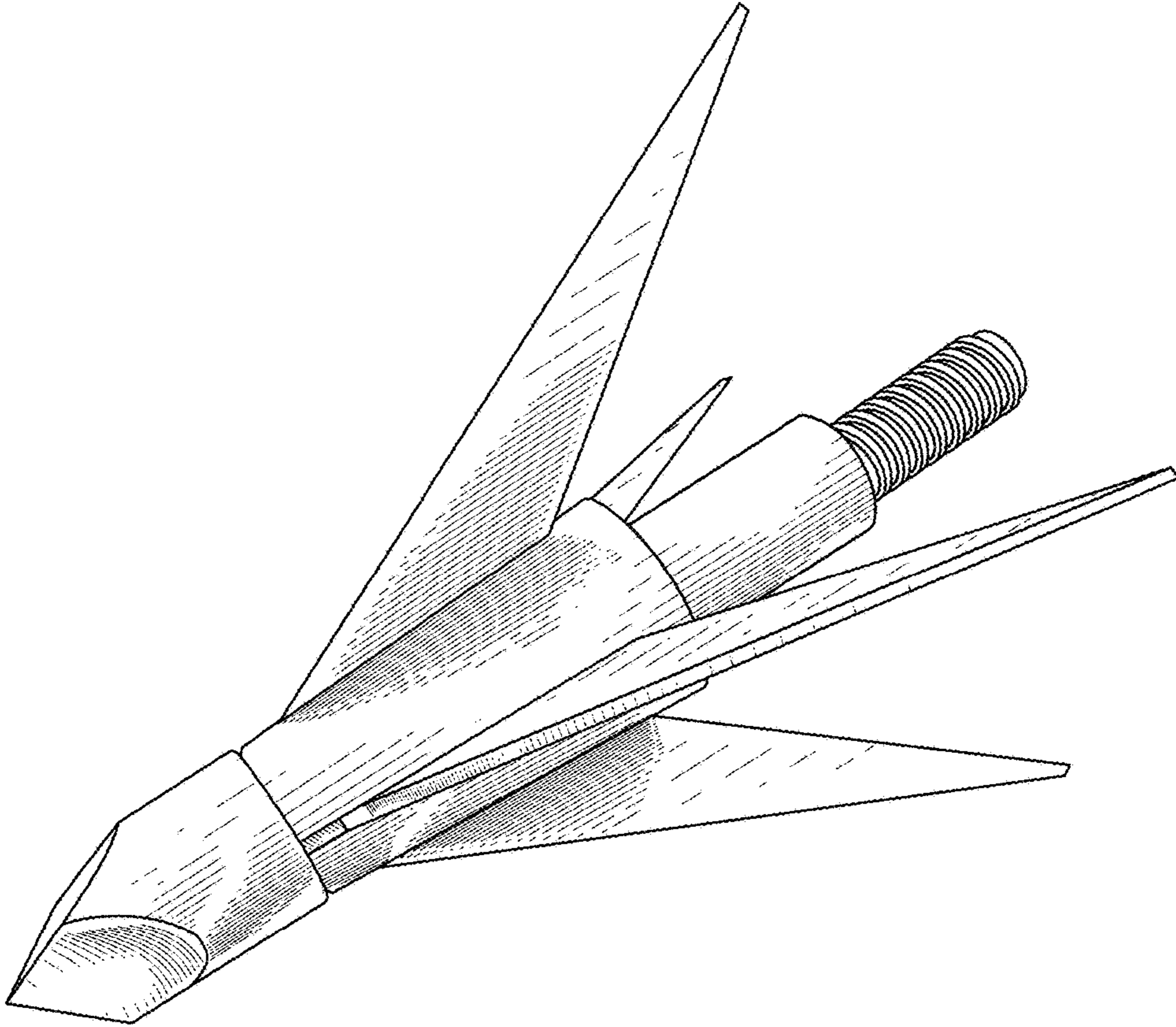


FIG. 1

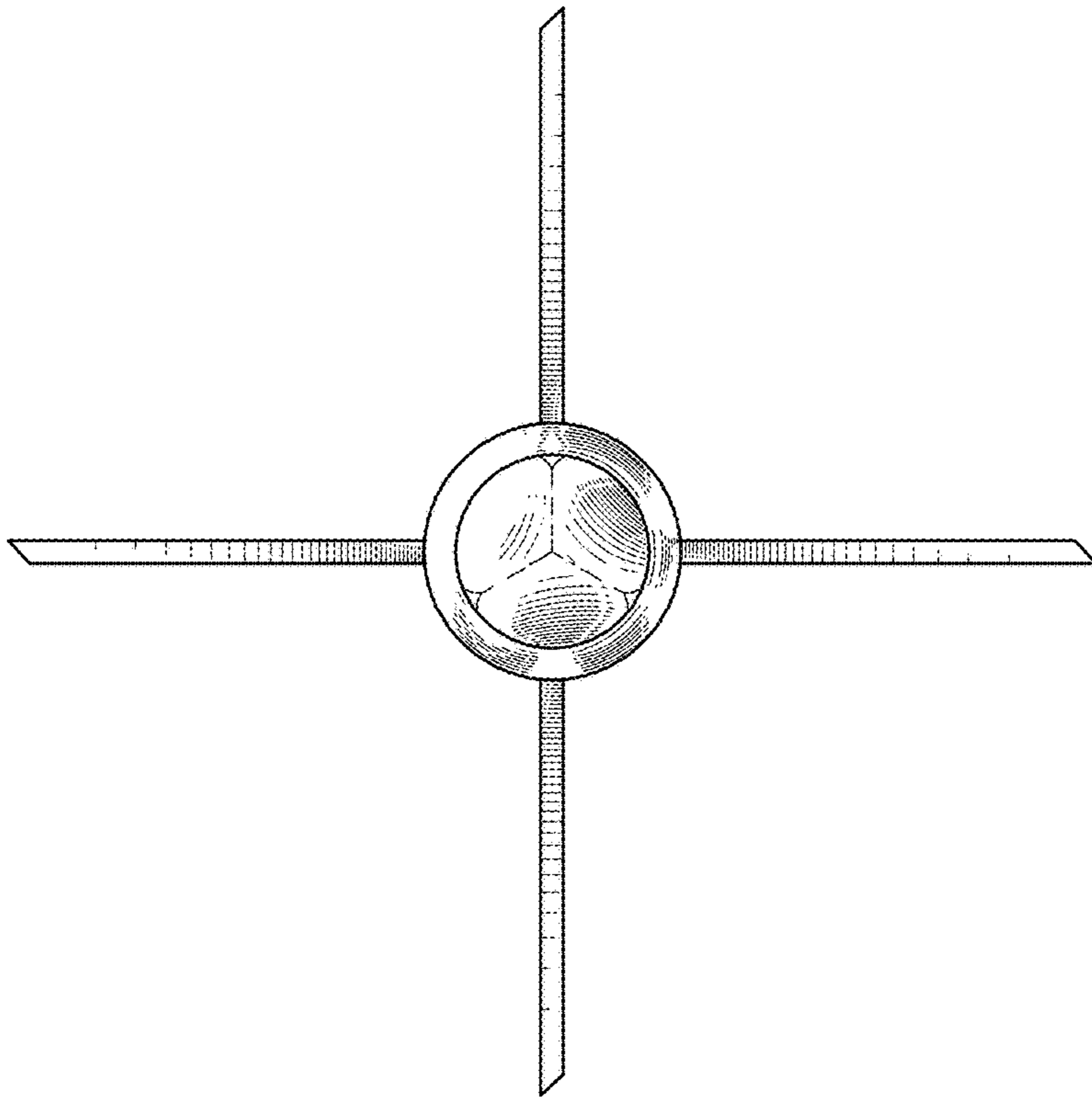


FIG. 2

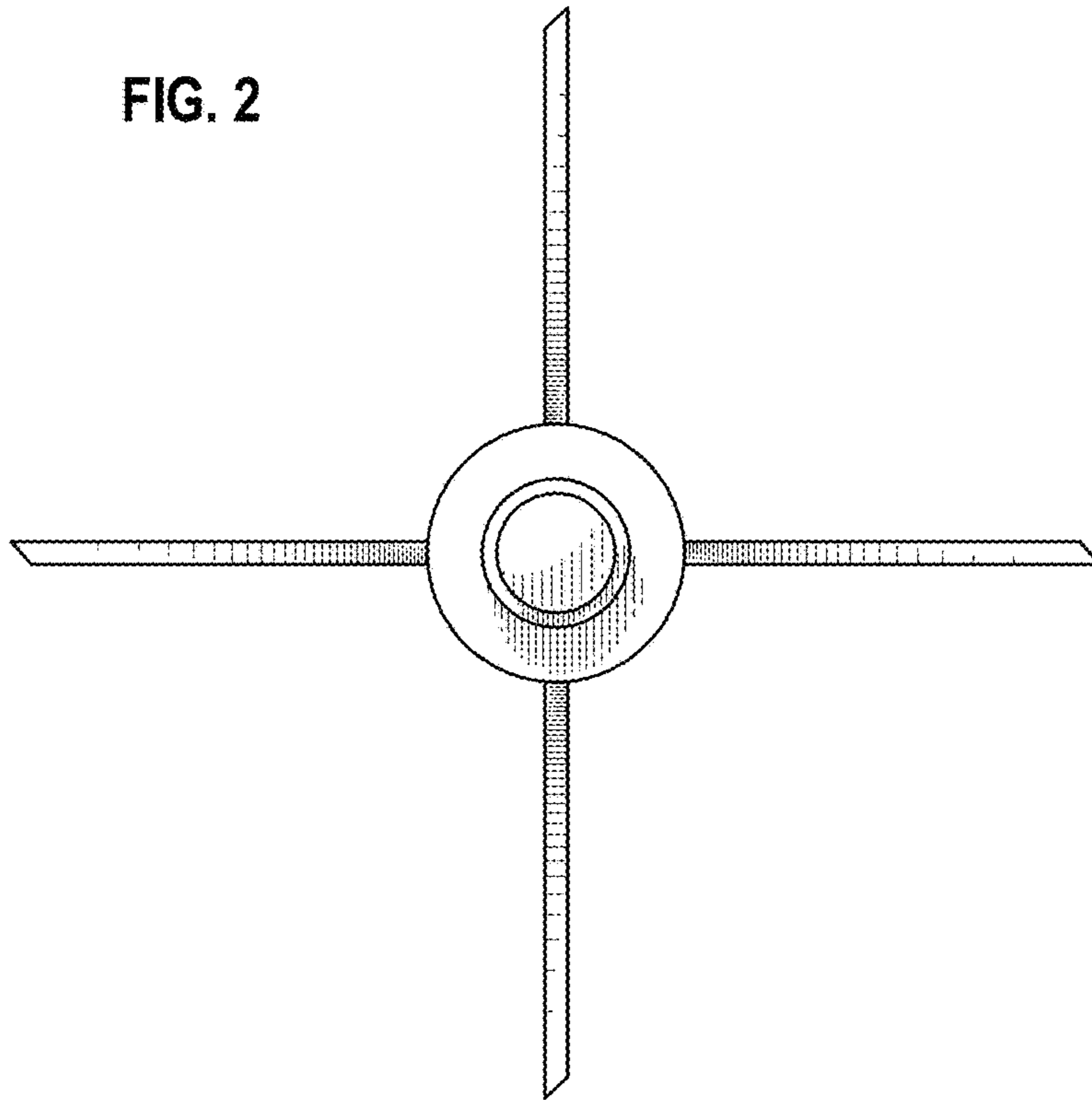


FIG. 3

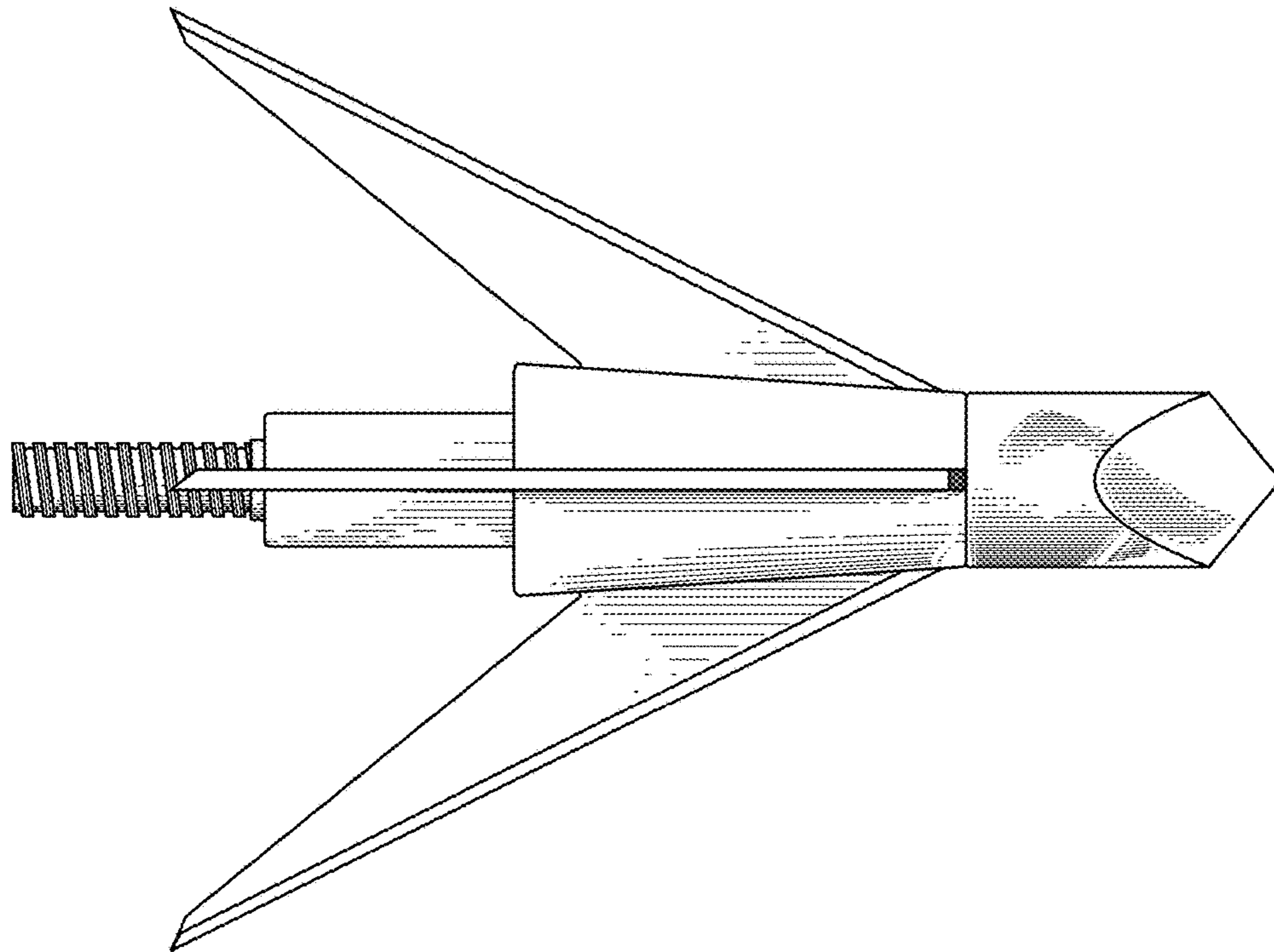


FIG. 4

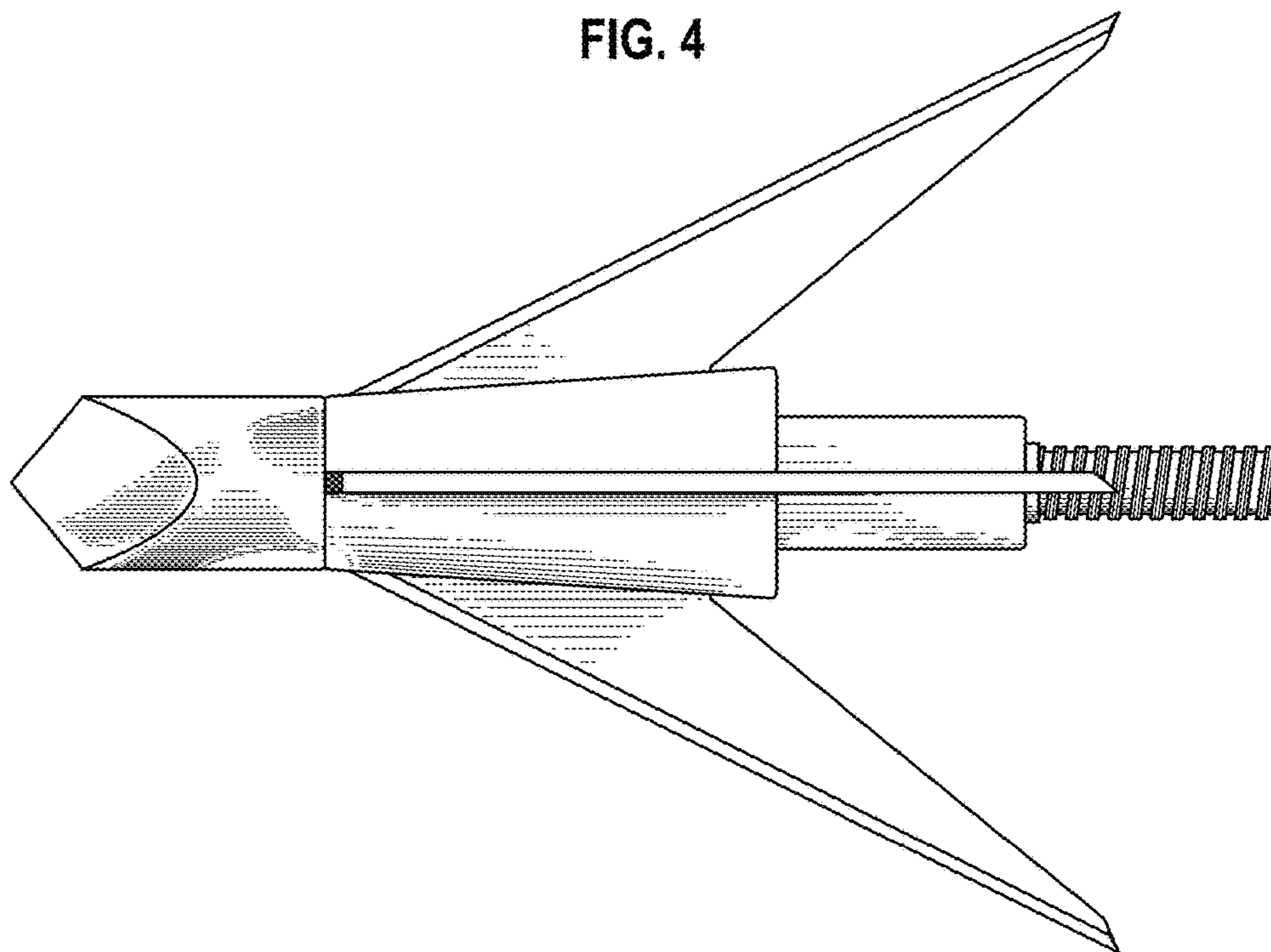


FIG. 5

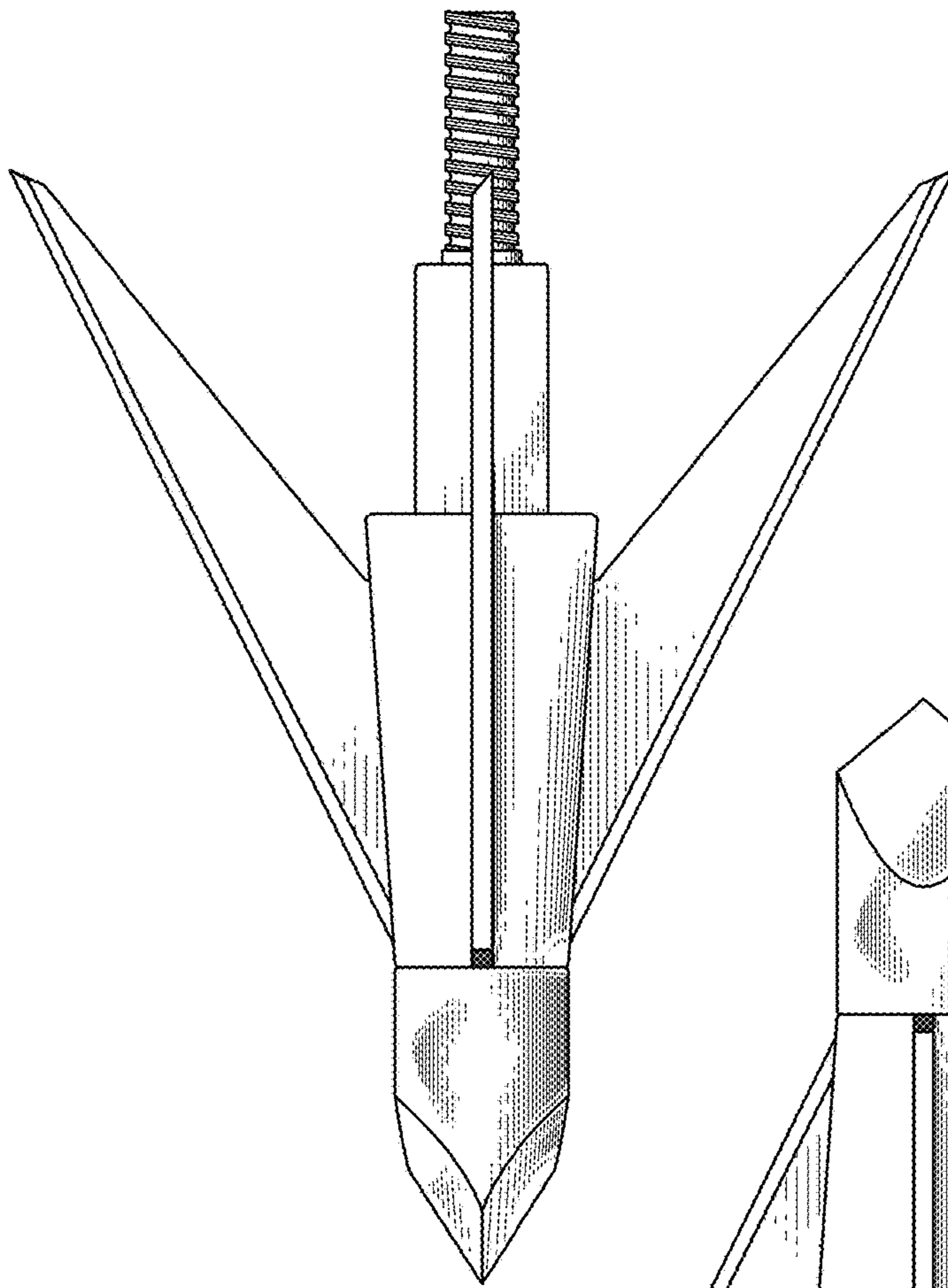


FIG. 6

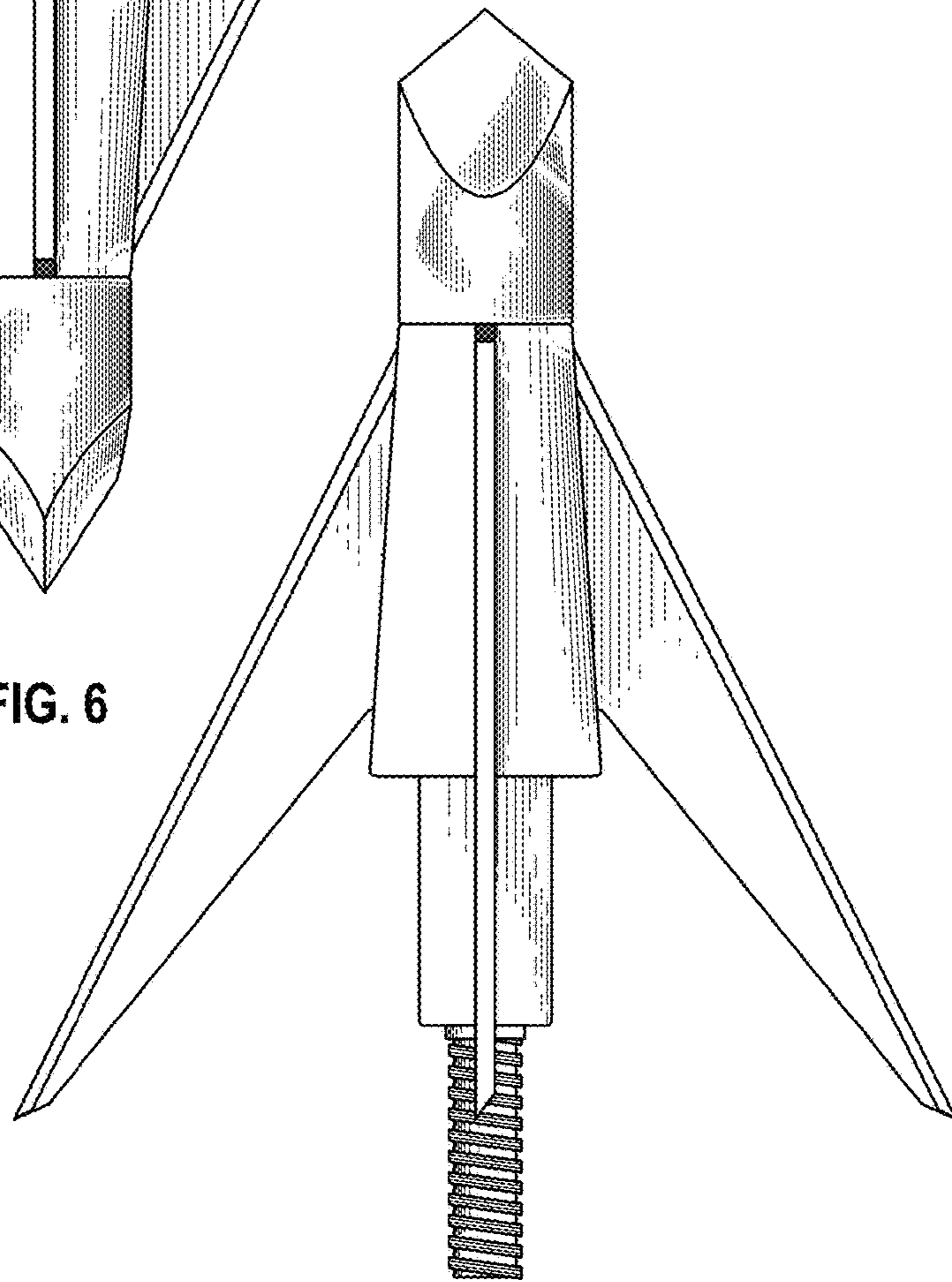


FIG. 7

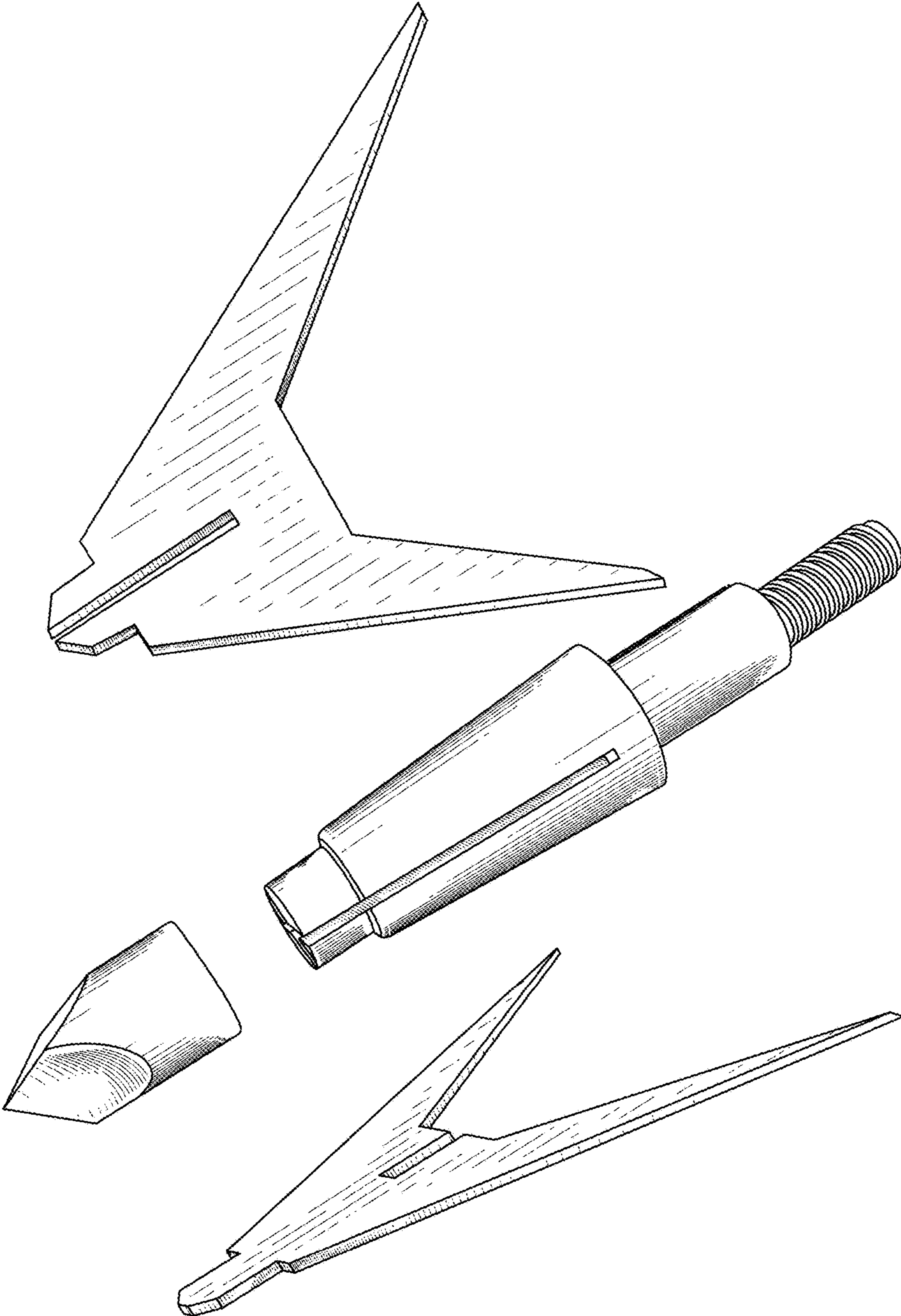


FIG. 8